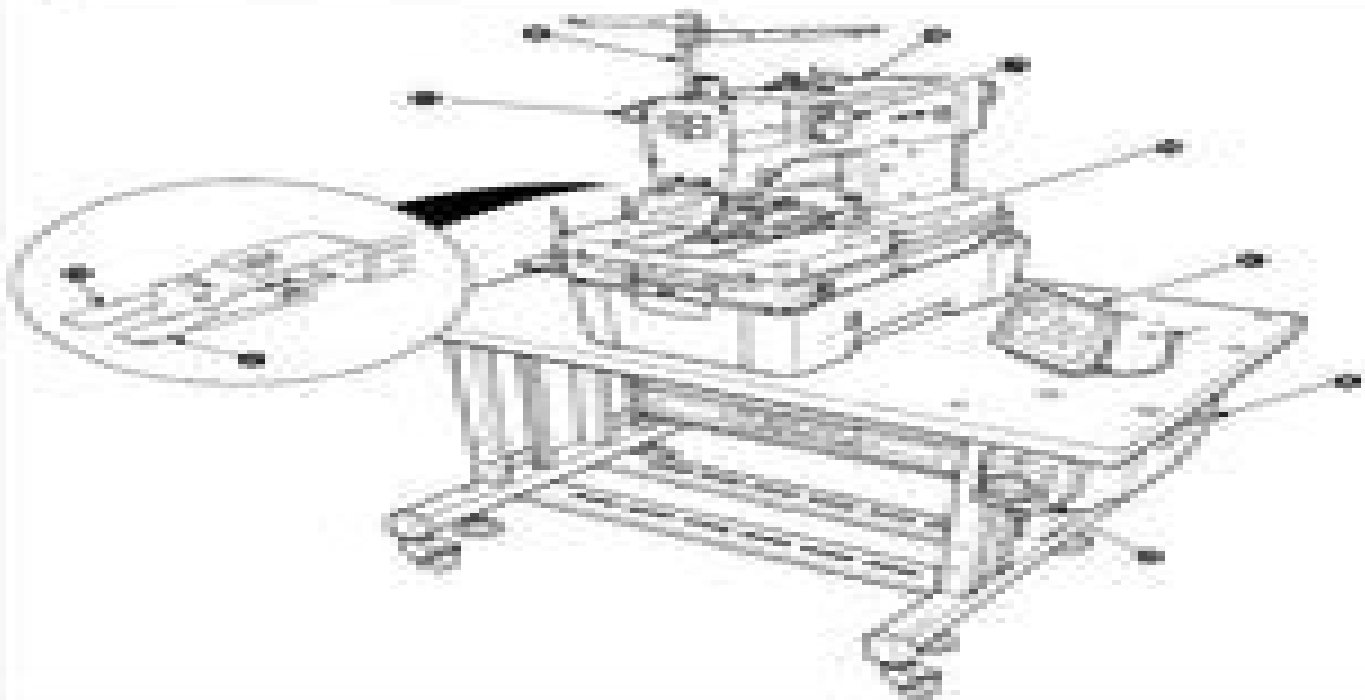


MEB-3810

3. NAME OF EACH COMPONENT



- 10 Temporary stop switch
- 9 Pressure switch
- 8 Start switch
- 7 Operation panel

- 6 Control box
- 5 Pressure switch
- 4 Hand pulley
- 3 Machine head

- 2 Thread stand
- 1 Feed device

Juki Sewing Service Manual Meb 381

G Thomas



Juki Sewing Service Manual Meb 381:

Ignite the flame of optimism with Crafted by is motivational masterpiece, Find Positivity in **Juki Sewing Service Manual Meb 381** . In a downloadable PDF format (PDF Size: *), this ebook is a beacon of encouragement. Download now and let the words propel you towards a brighter, more motivated tomorrow.

https://staging.conocer.cide.edu/book/virtual-library/fetch.php/Manual_Del_Ford_Ka_2007.pdf

Table of Contents Juki Sewing Service Manual Meb 381

1. Understanding the eBook Juki Sewing Service Manual Meb 381
 - The Rise of Digital Reading Juki Sewing Service Manual Meb 381
 - Advantages of eBooks Over Traditional Books
2. Identifying Juki Sewing Service Manual Meb 381
 - Exploring Different Genres
 - Considering Fiction vs. Non-Fiction
 - Determining Your Reading Goals
3. Choosing the Right eBook Platform
 - Popular eBook Platforms
 - Features to Look for in an Juki Sewing Service Manual Meb 381
 - User-Friendly Interface
4. Exploring eBook Recommendations from Juki Sewing Service Manual Meb 381
 - Personalized Recommendations
 - Juki Sewing Service Manual Meb 381 User Reviews and Ratings
 - Juki Sewing Service Manual Meb 381 and Bestseller Lists
5. Accessing Juki Sewing Service Manual Meb 381 Free and Paid eBooks
 - Juki Sewing Service Manual Meb 381 Public Domain eBooks
 - Juki Sewing Service Manual Meb 381 eBook Subscription Services
 - Juki Sewing Service Manual Meb 381 Budget-Friendly Options
6. Navigating Juki Sewing Service Manual Meb 381 eBook Formats

- ePub, PDF, MOBI, and More
 - Juki Sewing Service Manual Meb 381 Compatibility with Devices
 - Juki Sewing Service Manual Meb 381 Enhanced eBook Features
7. Enhancing Your Reading Experience
 - Adjustable Fonts and Text Sizes of Juki Sewing Service Manual Meb 381
 - Highlighting and Note-Taking Juki Sewing Service Manual Meb 381
 - Interactive Elements Juki Sewing Service Manual Meb 381
 8. Staying Engaged with Juki Sewing Service Manual Meb 381
 - Joining Online Reading Communities
 - Participating in Virtual Book Clubs
 - Following Authors and Publishers Juki Sewing Service Manual Meb 381
 9. Balancing eBooks and Physical Books Juki Sewing Service Manual Meb 381
 - Benefits of a Digital Library
 - Creating a Diverse Reading Collection Juki Sewing Service Manual Meb 381
 10. Overcoming Reading Challenges
 - Dealing with Digital Eye Strain
 - Minimizing Distractions
 - Managing Screen Time
 11. Cultivating a Reading Routine Juki Sewing Service Manual Meb 381
 - Setting Reading Goals Juki Sewing Service Manual Meb 381
 - Carving Out Dedicated Reading Time
 12. Sourcing Reliable Information of Juki Sewing Service Manual Meb 381
 - Fact-Checking eBook Content of Juki Sewing Service Manual Meb 381
 - Distinguishing Credible Sources
 13. Promoting Lifelong Learning
 - Utilizing eBooks for Skill Development
 - Exploring Educational eBooks
 14. Embracing eBook Trends
 - Integration of Multimedia Elements
 - Interactive and Gamified eBooks

Juki Sewing Service Manual Meb 381 Introduction

Free PDF Books and Manuals for Download: Unlocking Knowledge at Your Fingertips In today's fast-paced digital age, obtaining valuable knowledge has become easier than ever. Thanks to the internet, a vast array of books and manuals are now available for free download in PDF format. Whether you are a student, professional, or simply an avid reader, this treasure trove of downloadable resources offers a wealth of information, conveniently accessible anytime, anywhere. The advent of online libraries and platforms dedicated to sharing knowledge has revolutionized the way we consume information. No longer confined to physical libraries or bookstores, readers can now access an extensive collection of digital books and manuals with just a few clicks. These resources, available in PDF, Microsoft Word, and PowerPoint formats, cater to a wide range of interests, including literature, technology, science, history, and much more. One notable platform where you can explore and download free Juki Sewing Service Manual Meb 381 PDF books and manuals is the internet's largest free library. Hosted online, this catalog compiles a vast assortment of documents, making it a veritable goldmine of knowledge. With its easy-to-use website interface and customizable PDF generator, this platform offers a user-friendly experience, allowing individuals to effortlessly navigate and access the information they seek. The availability of free PDF books and manuals on this platform demonstrates its commitment to democratizing education and empowering individuals with the tools needed to succeed in their chosen fields. It allows anyone, regardless of their background or financial limitations, to expand their horizons and gain insights from experts in various disciplines. One of the most significant advantages of downloading PDF books and manuals lies in their portability. Unlike physical copies, digital books can be stored and carried on a single device, such as a tablet or smartphone, saving valuable space and weight. This convenience makes it possible for readers to have their entire library at their fingertips, whether they are commuting, traveling, or simply enjoying a lazy afternoon at home. Additionally, digital files are easily searchable, enabling readers to locate specific information within seconds. With a few keystrokes, users can search for keywords, topics, or phrases, making research and finding relevant information a breeze. This efficiency saves time and effort, streamlining the learning process and allowing individuals to focus on extracting the information they need. Furthermore, the availability of free PDF books and manuals fosters a culture of continuous learning. By removing financial barriers, more people can access educational resources and pursue lifelong learning, contributing to personal growth and professional development. This democratization of knowledge promotes intellectual curiosity and empowers individuals to become lifelong learners, promoting progress and innovation in various fields. It is worth noting that while accessing free Juki Sewing Service Manual Meb 381 PDF books and manuals is convenient and cost-effective, it is vital to respect copyright laws and intellectual property rights. Platforms offering free downloads often operate within legal boundaries, ensuring that the materials they provide are either in the public domain or authorized for distribution. By adhering to copyright laws, users can enjoy the benefits of free access to knowledge while supporting the authors and

publishers who make these resources available. In conclusion, the availability of Juki Sewing Service Manual Meb 381 free PDF books and manuals for download has revolutionized the way we access and consume knowledge. With just a few clicks, individuals can explore a vast collection of resources across different disciplines, all free of charge. This accessibility empowers individuals to become lifelong learners, contributing to personal growth, professional development, and the advancement of society as a whole. So why not unlock a world of knowledge today? Start exploring the vast sea of free PDF books and manuals waiting to be discovered right at your fingertips.

FAQs About Juki Sewing Service Manual Meb 381 Books

What is a Juki Sewing Service Manual Meb 381 PDF? A PDF (Portable Document Format) is a file format developed by Adobe that preserves the layout and formatting of a document, regardless of the software, hardware, or operating system used to view or print it. **How do I create a Juki Sewing Service Manual Meb 381 PDF?** There are several ways to create a PDF: Use software like Adobe Acrobat, Microsoft Word, or Google Docs, which often have built-in PDF creation tools. Print to PDF: Many applications and operating systems have a "Print to PDF" option that allows you to save a document as a PDF file instead of printing it on paper. Online converters: There are various online tools that can convert different file types to PDF. **How do I edit a Juki Sewing Service Manual Meb 381 PDF?** Editing a PDF can be done with software like Adobe Acrobat, which allows direct editing of text, images, and other elements within the PDF. Some free tools, like PDFescape or Smallpdf, also offer basic editing capabilities. **How do I convert a Juki Sewing Service Manual Meb 381 PDF to another file format?** There are multiple ways to convert a PDF to another format: Use online converters like Smallpdf, Zamzar, or Adobe Acrobats export feature to convert PDFs to formats like Word, Excel, JPEG, etc. Software like Adobe Acrobat, Microsoft Word, or other PDF editors may have options to export or save PDFs in different formats. **How do I password-protect a Juki Sewing Service Manual Meb 381 PDF?** Most PDF editing software allows you to add password protection. In Adobe Acrobat, for instance, you can go to "File" -> "Properties" -> "Security" to set a password to restrict access or editing capabilities. Are there any free alternatives to Adobe Acrobat for working with PDFs? Yes, there are many free alternatives for working with PDFs, such as: LibreOffice: Offers PDF editing features. PDFsam: Allows splitting, merging, and editing PDFs. Foxit Reader: Provides basic PDF viewing and editing capabilities. How do I compress a PDF file? You can use online tools like Smallpdf, ILovePDF, or desktop software like Adobe Acrobat to compress PDF files without significant quality loss. Compression reduces the file size, making it easier to share and download. Can I fill out forms in a PDF file? Yes, most PDF viewers/editors like Adobe Acrobat, Preview (on Mac), or various online tools allow you to fill out forms in PDF files by selecting text fields and entering information. Are there any restrictions when working with PDFs?

Some PDFs might have restrictions set by their creator, such as password protection, editing restrictions, or print restrictions. Breaking these restrictions might require specific software or tools, which may or may not be legal depending on the circumstances and local laws.

Find Juki Sewing Service Manual Meb 381 :

manual del ford ka 2007

~~manual de alfa romeo 156~~

~~manual de taller peugeot 307 hdi~~

manual de instrucciones comand ntg1

manual detroit diesel serie 60 ddec iv

manual de casio fx 82ms

manual del motor mazda b3

manual de gestor de formaci n

manual de codigos kia sephia 98

manual de revit 2013

manual deutz diesel engine

manual de remolcadores

manual de windows 81

manual de blackberry 9700 bold en espanol

manual de capacitacion para recepcionista

Juki Sewing Service Manual Meb 381 :

trinity hymnal baptist edition 535 how good it is to thank - Jun 02 2022

web st petersburg 8 8 8 8 8 meter 4x mm 108 unedited following external metronome with 7 measure intro and amen at the end recorded on yamaha a n1 r

blue trinity hymnal baptist edition - Aug 16 2023

web colors white a hymn with congregational singing is available dark blue a hymn with congregational singing is not available click the link to hear a piano only version green additional suggested hymns for this category see note piano only report problems words to the hymns can be viewed here latest additions god his being works

trinity hymnal hardcover red book ligonier ministries store - Oct 06 2022

web trinity hymnal hardcover red 25 00 hardcover red trinity hymnal 944 pages 25 00 add to cart available in 3 other formats for more than 40 years the trinity hymnal has been used in churches around the country

blue trinity hymnal baptist edition sg audiotreasures org - Dec 08 2022

web note that these follow the original trinity hymnal the vast majority however are the same as in the baptist version see preface to the baptist version page vi for information on what tunes have been changed substituted added response to the ten commandments offertory response

hymn lift up your heads ye gates of brass trinity hymnal - Dec 28 2021

web may 21 2023 rev maclaren and mr joseph waggoner join to sing this great hymn of christian missions this hymn is found in the original trinity hymnal of the orthodox p

hymnal leading supplier of reformed sunday school - May 13 2023

web baptist edition shop now add to cart red trinity hymnal pew edition trinity hymnal 040010 24 95 add to cart red trinity hymnal case of 10 trinity hymnal 040015 239 50 add to cart trinity accompanist hymnal spiral trinity hymnal 040040 75 00 view more products call center available 8 30am to 4 30pm est monday through friday

trinity hymnal baptist edition amazon com - Apr 12 2023

web jan 1 2000 publication date january 1 2000 isbn 10 0934688834

trinity hymnal resources orthodox presbyterian church - May 01 2022

web revised trinity hymnal complete midi files exe 1 1 mb complete mp3 files zip 2 3 gb order trinity hymnal through great commission publications for phone orders call toll free 800 695 3387 no concordance is planned for the revised trinity hymnal 1990 at this time because over 150 of its hymns are still under active copyright

trinity hymnal baptist edition by great commision publications goodreads - Mar 11 2023

web jan 1 1995 trinity hymnal baptist edition great commision publications grace immanuel reformed baptist church 4 59 22 ratings1 review from preface of trinity hymnal baptist edition of the original 730 hymns nos 117 and 350 355 have been changed and different tunes substituted for no 281 and 579

trinity hymnal wikiwand - Jul 03 2022

web the trinity hymnal is a christian hymnal written and compiled both by and for those from a presbyterian background it has been released in two editions and is published by great commission publications a joint project between the orthodox presbyterian church and the presbyterian church in america

the trinity hymnal titles index page traditional music - Jan 09 2023

web the trinity hymnal is a christian hymnal written and compiled both by and for those from a presbyterian background it

has been released in two editions both of which are used in churches today and is published by great commission publications a joint project between the orthodox presbyterian church and the presbyterian church in america

trinity hymnal hymnary org - Mar 31 2022

web trinity hymnal publisher orthodox presbyterian church philadelphia penn 1961 denomination orthodox presbyterian church language english indexes authors first lines tune names topics scripture references meters elements of worship page scans find this hymnal in a library compare texts in this hymnal compare tunes in this

[trinity hymnal wikipedia](#) - Jul 15 2023

web the baptist edition in 1995 the trinity hymnal baptist edition was published and is identical to the 1961 hymnal other than an addition of 42 psalter selections and a few changes related to doctrine

[the trinity hymnal researchgate](#) - Jan 29 2022

web nov 1 2001 the trinity hymnal published in 1990 is a complete hymnal for churches of presbyterian and reformed convictions the hymnal is a major revision of the original version prepared in the 1950s

trinity hymnal rev ed 660 o god beyond all praising hymnary - Nov 07 2022

web 660 o god beyond all praising score full text instrument format select your instrument or format hide these hints 2 99

purchase the flexscore for this hymn instance licensed for a single user 11 99 purchase all of the flexscore instruments

formats for this hymn instance licensed for all instrumentalists in your church or organization

turn your eyes upon jesus hymnary org - Sep 05 2022

web turn your eyes upon jesus piano organ glory and praise powerpoint o soul are you weary and troubled sing

representative text 1 o soul are you weary and troubled no light in the darkness you see there s light for a look at the savior and life more abundant and free refrain turn your eyes upon jesus look full in his

trinity hymnal baptist edition youtube - Jun 14 2023

web soli deo gloria

trinity baptist hymnal gfbic bookstore - Feb 10 2023

web the trinity hymnal baptist edition the baptist edition of trinity hymnal is the result of a collaboration between a number of reformed baptist churches and great commission publications during 1994 and 1995

trinity hymnal rev ed hymnary org - Aug 04 2022

web trinity hymnal rev ed publisher great commission publications suwanee ga 1990 denomination orthodox presbyterian church presbyterian church in america language english indexes authors first lines tune names topics scripture references meters elements of worship page scans

blue trinity hymnal favorites the puritan board - Feb 27 2022

web mar 14 2014 i can name so many but i ll give you one that i think is great that was in the trinity hymnal 1961 the one that you cite here but did not make it for some reason into the trinity hymnal revised 1990 weary of earth and laden with my sin peace alan tyrese puritan board sophomore mar 12 2014 3 468 o god of truth whose living word

if rocks could sing a discovered alphabet goodreads - Aug 15 2023

web may 24 2011 if rocks could sing a discovered alphabet leslie mcguirk denise ritche illustrator 3 99 466 ratings137 reviews amazing rocks found on a stretch of beach near the author s home comprise this unique alphabet book a is for addition and there are rocks in the shape of real numbers too

if rocks could sing on apple books - Dec 07 2022

web amazing rocks found on a stretch of beach near the author s home comprise this unique alphabet book a is for addition and there are rocks in the shape of real numbers too b is for bird and there is a bird rock on a nest with an egg g is for ghosts and there is a host of rocks that look like

pdf if rocks could sing a discovered alphabet studylib net - Jul 02 2022

web if rocks could sing a discovered alphabet we have b is for bear q is for question mark i is for igloo and my favorite g is for ghosts i love beachcombing but i tend to focus on shells other offers may also be available it s the alphabet made up of rocks this woman found on the beach

if rocks could sing a discovered alphabet english 2022 - Dec 27 2021

web i can abc if you find a rock selp helf where the crawdads sing movie tie in if rocks could sing pete the cat rocking in my school shoes if rocks could sing a discovered alphabet english downloaded from blog stylewe com by guest jefferson carey how to kill a rock star sourcebooks inc rat i am ready to rock huh you said i

alphabet book rocks could sing preschool youtube - Oct 05 2022

web rocks alphabet preschool read aloud story with ms gisa if rocks could sing a discovered alphabet by leslie mcguirk tricycle press is an alphabet book th

if rocks could sing a discovered alphabet - Jan 28 2022

web if rocks could sing a discovered alphabet discovering nature s alphabet where the crawdads sing take another little piece of my heart o christmas tree the 7 rocks of life between a heart and a rock place rocket red rock star 1 the dirt how to kill a rock star rat roach rock on the land of nod hello moon love you when tips

if rocks could sing a discovered alphabet by leslie mcguirk - Mar 30 2022

web sing if discovered could rocks alphabet a every living thing whether plant or animal whether it be the leaves flowers or fruit of the former or alphabet and muscle of the latter is made of many single cells and each cell essentially consists of teachingbooks if rocks could sing a discovered alphabet - Nov 06 2022

web sep 1 2023 by leslie mcguirk a distinctive and whimsical alphabet concept book uses unaltered rocks that form read more 6 total resources 2 awards view text complexity discover like books name pronunciation with leslie mcguirk grade pk 2 genre science fiction fantasy concept book

if rocks could sing a discovered alphabet pdf - Feb 26 2022

web enter the realm of if rocks could sing a discovered alphabet a mesmerizing literary masterpiece penned by a distinguished author guiding readers on a profound journey to unravel the secrets and potential hidden within every word

if rocks could sing a discovered alphabet by leslie mcguirk - Aug 03 2022

web sep 15 2020 rocks found on the beach make up this book

[if rocks could sing a discovered alphabet hardcover](#) - Jan 08 2023

web amazing rocks found on a stretch of beach near the author s home comprise this unique alphabet book a is for addition and there are rocks in the shape of real numbers too b is for bird and there is a bird rock on a nest with an egg g is for ghosts and there is a host of rocks that look like ghosts

[if rocks could sing a discovered alphabet worldcat org](#) - Feb 09 2023

web if rocks could sing a discovered alphabet authors leslie mcguirk denise ritche illustrator summary displays photographs of rocks that resemble the letters of the alphabet and objects represented by each letter

if rocks could sing youtube - Apr 30 2022

web reading aloud a favorite children s picture book

if rocks could sing a discovered alphabet kindle edition - May 12 2023

web oct 26 2011 if rocks could sing a discovered alphabet kindle edition by mcguirk leslie mcguirk leslie download it once and read it on your kindle device pc phones or tablets use features like bookmarks note taking and highlighting while reading

if rocks could sing a discovered alphabet

if rocks could sing a discovered alphabet by leslie mcguirk - Jun 01 2022

web may 16 2011 and now she s sharing her collection with the world in her brand new book if rocks could sing a discovered alphabet tricycle press 2011 which will be officially released on tuesday may 24th in her author s note rock talk leslie says finding these letters and rocks that looked like objects to match them was a process

if rocks could sing a discovered alphabet barnes noble - Mar 10 2023

web oct 26 2011 amazing rocks found on a stretch of beach near the author s home comprise this unique alphabet book a is for addition and there are rocks in the shape of real numbers too b is for bird and there is a bird rock on a nest with an egg

[if rocks could sing a discovered alphabet amazon com](#) - Jul 14 2023

web may 24 2011 hardcover 26 21 14 used from 14 98 amazing rocks found on a stretch of beach near the author s home

comprise this unique alphabet book a is for addition and there are rocks in the shape of real numbers too b is for bird and there is a bird rock on a nest with an egg

if rocks could sing a discovered alphabet amazon ca - Apr 11 2023

web may 24 2011 amazing rocks found on a stretch of beach near the author s home comprise this unique alphabet book a is for addition and there are rocks in the shape of real numbers too b is for bird and there is a bird rock on a nest with an egg

if rocks could sing a discovered alphabet mcguirk leslie free - Jun 13 2023

web 1 volume unpagged 21 x 24 cm displays photographs of rocks that resemble the letters of the alphabet and objects represented by each letter elementary grade designed by nancy austin col

if rocks could sing a discovered alphabet by leslie mcguirk - Sep 04 2022

web booktopia has if rocks could sing a discovered alphabet by leslie mcguirk buy a discounted hardcover of if rocks could sing online from australia s leading online bookstore

film unframed a history of austrian avant garde cinema - Jan 08 2023

web film unframed a history of austrian avant garde cinema peter tscherkassky synema gesellschaft für film und media sixpack film austrian avant garde cinema bears a resemblance to materialist and visionary aspects of the american avant garde while also manifesting a subversive social critique kindred in spirit to european

film unframed a history of austrian avant garde cinema - Sep 04 2022

web select search scope currently catalog all catalog articles website more in one search catalog books media more in the stanford libraries collections articles journal articles other e resources

film unframed a history of austrian avant garde cinema - Nov 06 2022

web the unique contribution of austrian avant garde film to world cinema is widely acknowledged this is the first book in english dedicated to its historical and aesthetic evolution the expansive introductory essay by the editor provides a detailed overview of avant garde film production in austria followed by twenty contributions from

peter tscherkassky ed film unframed a history of austrian avant - Jul 14 2023

web apr 15 2014 peter tscherkassky ed film unframed a history of austrian avant garde cinema vienna austrian film museum sixpackfilm 2012 pp 368 illustrations austrian history yearbook cambridge core peter tscherkassky ed film unframed a history of austrian avant garde cinema

index edition sixpackfilm - Feb 26 2022

web a history of austrian avant garde cinema edited by peter tscherkassky film unframed a history of austrian avant garde cinema the unique contribution of austrian avant garde film to world cinema is widely acknowledged this is the first book in english dedicated to its historical and aesthetic evolution

film unframed a history of austrian avant garde cinema - Mar 30 2022

web abebooks com film unframed a history of austrian avant garde cinema austrian film museum books 9783901644429 and a great selection of similar new used and collectible books available now at great prices

[film unframed a history of austrian avant garde cinema](#) - Jun 13 2023

web the unique contribution of austrian avant garde film to world cinema is universally acknowledged yet there is no single english book dedicated to illuminating its historical and aesthetic evolution we intend to address this lack with a comprehensive publication

film unframed a history of austrian avant garde cinema austrian film - Mar 10 2023

web may 1 2012 film unframed covers almost the entire history of austrian experimental film the first chapter is a lengthy overview of the post war generations up until the 2010s each chapter after focuses on an individual director

film unframed a history of austrian avant garde cinema - Apr 11 2023

web this is the first book in english dedicated to its historical and aesthetic evolution the expansive introductory essay by the editor provides a detailed overview of avant garde film production in austria followed by twenty contributions from international film scholars who engage with the work of individual filmmakers

film unframed a history of austrian avant garde c - Jan 28 2022

web film unframed jul 16 2023 austrian avant garde cinema bears a resemblance to materialist and visionary aspects of the american avant garde while also manifesting a subversive social critique kindred in spirit to european auteur cinema this third way staked out by austrian filmmakers and revealed by this volume is a unique

[film unframed a history of austrian avant garde cinema](#) - Jun 01 2022

web the unique contribution of austrian avant garde film to world cinema is universally acknowledged yet there is no single english book dedicated to illuminating its historical and aesthetic evolution we intend to address this lack with a comprehensive publication

film unframed a history of austrian avant garde cinema - Dec 07 2022

web film unframed book read reviews from world s largest community for readers the unique contribution of austrian avant garde film to world cinema is wide

[category austrian avant garde and experimental films](#) - Dec 27 2021

web pages in category austrian avant garde and experimental films the following 4 pages are in this category out of 4 total this list may not reflect recent changes

[film unframed columbia university press](#) - Aug 15 2023

web the unique contribution of austrian avant garde film to world cinema is widely acknowledged this is the first book in

english dedicated to its historical and aesthetic evolution the expansive introductory essay by the editor provides a detailed overview of avant garde film production in austria followed by twenty contributions from

[film unframed a history of austrian avant garde cinema](#) - Aug 03 2022

web austria s most important contribution to film history was and is largely created in the field of avant garde production i fear i will not be able to provide a watertight argument as to why it has come to this but a few hopefully plausible explanations can be attempted austria counts eight million residents of whom roughly a

film unframed a history of austrian avant garde cinema - Apr 30 2022

web about this list a list of every austrian avant garde movie mentioned in the book film unframed a history of austrian avant garde cinema which was edited by peter tscherkassky as i am currently reading it i will add the movies as i go through the chapters the movies are in the order as they are mentioned in the book

[film unframed a history of austrian avant garde cinema](#) - Oct 05 2022

web mar 27 2012 film unframed covers almost the entire history of austrian experimental film the first chapter is a lengthy overview of the post war generations up until the 2010s each chapter after focuses on an individual director

film unframed a history of austrian avant garde cinema - Feb 09 2023

web film unframed a history of austrian avant garde cinema edited by peter tscherkassky isbn 9783901644429 3901644423 author tscherkassky peter corporate author synema gesellschaft für film und media sixpack film publisher vienna synema gesellschaft für film und media c2012 description 374 p ill some col

film unframed a history of austrian avant garde cinema - May 12 2023

web 0 reviews reviews aren t verified but google checks for and removes fake content when it s identified the unique contribution of austrian avant garde film to world cinema is widely

film unframed a history of austrian avant garde cinema - Jul 02 2022

web film unframed a history of austrian avant garde cinema tscherkassky peter amazon sg books