

TSB 11-8-4 (Continued)

11. Remove the main control assembly.
 - a. Thermal valve assembly may fall out.
12. Remove the front pump adapter seal. (Figure 2)

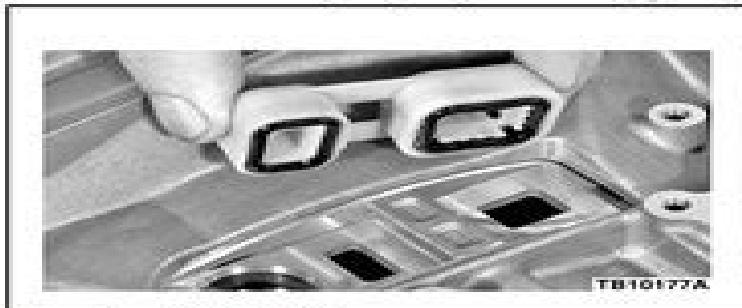


Figure 2 - Article 11-8-4

13. Remove and discard the 13 front pump-to-case bolts and washers.
14. Using ESST 307-553 and 100-001 remove pump from case.
 - a. The selective shim may come out while removing the front pump.
15. Place pump assembly on bench and note orientation of pump body to pump assembly to aid in reassembly.
16. Remove and discard the outer pump assembly O-ring seal.
17. Loosen all 11 pump body to pump assembly fasteners and carefully push down on the loosened fasteners to remove pump and gear assembly and discard. (Figure 3)



Figure 3 - Article 11-8-4

- a. Verify both inner and outer gears have the Dot facing up on the new pump body and gears. Use care to keep pump gears from falling out of pump body. (Figure 4)



Figure 4 - Article 11-8-4

18. Lube new pump body and gear assembly outer pump body O-ring with clean transmission fluid and align new pump body and gear assembly to pump plate and stator and carefully install into the pump plate and stator. (Figure 5)

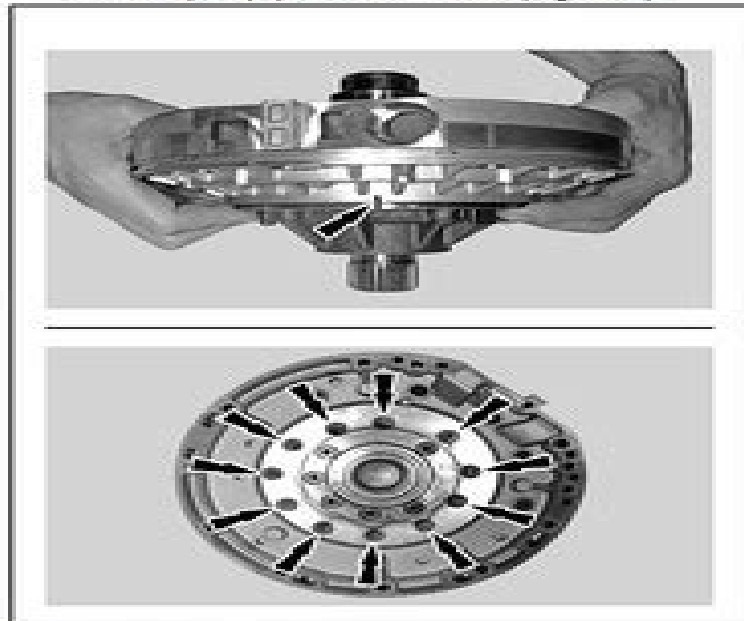


Figure 5 - Article 11-8-4

Ford Technical Service Bulletins F150

Phil Edmonston



Ford Technical Service Bulletins F150:

Lemon-Aid New Cars and Trucks 2011 Phil Edmonston,2010-11-11 As U S and Canadian automakers and dealers face bankruptcy and Toyota battles unprecedented quality control problems Lemon Aid guides steer the confused and anxious buyer through the economic meltdown unlike any other car and truck books on the market Phil Edmonston Canada s automotive Dr Phil for more than 40 years pulls no punches In this all new guide he says Chrysler s days are numbered with the dubious help of Fiat Electric cars and ethanol power are PR gimmicks Diesel and natural gas are the future Be wary of zombie vehicles Jaguar Land Rover Saab and Volvo Mercedes Benz rich cars poor quality There s only one Saturn you should buy Toyota enough apologies when you mess up fess up **Lemon-Aid New Cars and Trucks 2010** Phil Edmonston,2009-11-01 This compendium of everything thats new in cars and trucks is packed with feedback from Canadian drivers insider tips internal service bulletins and confidential memos to help the consumer select whats safe reliable and fuel frugal *Lemon-Aid New and Used Cars and Trucks 2007-2018* Phil Edmonston,2018-02-03 Steers buyers through the the confusion and anxiety of new and used vehicle purchases like no other car and truck book on the market Dr Phil along with George Iny and the Editors of the Automobile Protection Association pull no punches Lemon-Aid New and Used Cars and Trucks 1990-2016 Phil Edmonston,2015-11-21 This book steers buyers through the the confusion and anxiety of new and used vehicle purchases unlike any other car and truck book on the market Dr Phil Canada s best known automotive expert for more than forty five years pulls no punches Lemon-Aid New and Used Cars and Trucks 1990-2015 Phil Edmonston,2013-11-18 Lemon Aid New and Used Cars and Trucks 1990 2015 steers the confused and anxious buyer through the purchase of new and used vehicles unlike any other car and truck book on the market Dr Phil Canada s best known automotive expert for more than 42 years pulls no punches *Lemon-Aid New and Used Cars and Trucks 2007-2017* Phil Edmonston,2017-03-11 Steers buyers through the the confusion and anxiety of new and used vehicle purchases like no other car and truck book on the market Dr Phil along with George Iny and the Editors of the Automobile Protection Association pull no punches **Lemon Aid Guide 2003 New Cars and Minivans** Louis-Philippe Edmonston,Lemon-Aid,2002-12 REFERENCE USE ONLY 2003 New cars and Minivans Lemon Aid Guide 2003 SUVs, Vans and Trucks Louis-Philippe Edmonston,2002-11 **Popular Mechanics** ,1989-10 Popular Mechanics inspires instructs and influences readers to help them master the modern world Whether it s practical DIY home improvement tips gadgets and digital technology information on the newest cars or the latest breakthroughs in science PM is the ultimate guide to our high tech lifestyle **Lemon Aid Guide 2004 Used Cars and Minivans** Phil Edmonston,2003-03

Uncover the mysteries within its enigmatic creation, Discover the Intrigue in **Ford Technical Service Bulletins F150** . This downloadable ebook, shrouded in suspense, is available in a PDF format (Download in PDF: *). Dive into a world of uncertainty and anticipation. Download now to unravel the secrets hidden within the pages.

https://staging.conocer.cide.edu/book/browse/HomePages/Hypnotisme_Suggestion_Psychotherapie.pdf

Table of Contents Ford Technical Service Bulletins F150

1. Understanding the eBook Ford Technical Service Bulletins F150
 - The Rise of Digital Reading Ford Technical Service Bulletins F150
 - Advantages of eBooks Over Traditional Books
2. Identifying Ford Technical Service Bulletins F150
 - Exploring Different Genres
 - Considering Fiction vs. Non-Fiction
 - Determining Your Reading Goals
3. Choosing the Right eBook Platform
 - Popular eBook Platforms
 - Features to Look for in an Ford Technical Service Bulletins F150
 - User-Friendly Interface
4. Exploring eBook Recommendations from Ford Technical Service Bulletins F150
 - Personalized Recommendations
 - Ford Technical Service Bulletins F150 User Reviews and Ratings
 - Ford Technical Service Bulletins F150 and Bestseller Lists
5. Accessing Ford Technical Service Bulletins F150 Free and Paid eBooks
 - Ford Technical Service Bulletins F150 Public Domain eBooks
 - Ford Technical Service Bulletins F150 eBook Subscription Services
 - Ford Technical Service Bulletins F150 Budget-Friendly Options
6. Navigating Ford Technical Service Bulletins F150 eBook Formats

- ePub, PDF, MOBI, and More
 - Ford Technical Service Bulletins F150 Compatibility with Devices
 - Ford Technical Service Bulletins F150 Enhanced eBook Features
7. Enhancing Your Reading Experience
 - Adjustable Fonts and Text Sizes of Ford Technical Service Bulletins F150
 - Highlighting and Note-Taking Ford Technical Service Bulletins F150
 - Interactive Elements Ford Technical Service Bulletins F150
 8. Staying Engaged with Ford Technical Service Bulletins F150
 - Joining Online Reading Communities
 - Participating in Virtual Book Clubs
 - Following Authors and Publishers Ford Technical Service Bulletins F150
 9. Balancing eBooks and Physical Books Ford Technical Service Bulletins F150
 - Benefits of a Digital Library
 - Creating a Diverse Reading Collection Ford Technical Service Bulletins F150
 10. Overcoming Reading Challenges
 - Dealing with Digital Eye Strain
 - Minimizing Distractions
 - Managing Screen Time
 11. Cultivating a Reading Routine Ford Technical Service Bulletins F150
 - Setting Reading Goals Ford Technical Service Bulletins F150
 - Carving Out Dedicated Reading Time
 12. Sourcing Reliable Information of Ford Technical Service Bulletins F150
 - Fact-Checking eBook Content of Ford Technical Service Bulletins F150
 - Distinguishing Credible Sources
 13. Promoting Lifelong Learning
 - Utilizing eBooks for Skill Development
 - Exploring Educational eBooks
 14. Embracing eBook Trends
 - Integration of Multimedia Elements
 - Interactive and Gamified eBooks

Ford Technical Service Bulletins F150 Introduction

Ford Technical Service Bulletins F150 Offers over 60,000 free eBooks, including many classics that are in the public domain. Open Library: Provides access to over 1 million free eBooks, including classic literature and contemporary works. Ford Technical Service Bulletins F150 Offers a vast collection of books, some of which are available for free as PDF downloads, particularly older books in the public domain. Ford Technical Service Bulletins F150 : This website hosts a vast collection of scientific articles, books, and textbooks. While it operates in a legal gray area due to copyright issues, its a popular resource for finding various publications. Internet Archive for Ford Technical Service Bulletins F150 : Has an extensive collection of digital content, including books, articles, videos, and more. It has a massive library of free downloadable books. Free-eBooks Ford Technical Service Bulletins F150 Offers a diverse range of free eBooks across various genres. Ford Technical Service Bulletins F150 Focuses mainly on educational books, textbooks, and business books. It offers free PDF downloads for educational purposes. Ford Technical Service Bulletins F150 Provides a large selection of free eBooks in different genres, which are available for download in various formats, including PDF. Finding specific Ford Technical Service Bulletins F150, especially related to Ford Technical Service Bulletins F150, might be challenging as theyre often artistic creations rather than practical blueprints. However, you can explore the following steps to search for or create your own Online Searches: Look for websites, forums, or blogs dedicated to Ford Technical Service Bulletins F150, Sometimes enthusiasts share their designs or concepts in PDF format. Books and Magazines Some Ford Technical Service Bulletins F150 books or magazines might include. Look for these in online stores or libraries. Remember that while Ford Technical Service Bulletins F150, sharing copyrighted material without permission is not legal. Always ensure youre either creating your own or obtaining them from legitimate sources that allow sharing and downloading. Library Check if your local library offers eBook lending services. Many libraries have digital catalogs where you can borrow Ford Technical Service Bulletins F150 eBooks for free, including popular titles. Online Retailers: Websites like Amazon, Google Books, or Apple Books often sell eBooks. Sometimes, authors or publishers offer promotions or free periods for certain books. Authors Website Occasionally, authors provide excerpts or short stories for free on their websites. While this might not be the Ford Technical Service Bulletins F150 full book , it can give you a taste of the authors writing style. Subscription Services Platforms like Kindle Unlimited or Scribd offer subscription-based access to a wide range of Ford Technical Service Bulletins F150 eBooks, including some popular titles.

FAQs About Ford Technical Service Bulletins F150 Books

What is a Ford Technical Service Bulletins F150 PDF? A PDF (Portable Document Format) is a file format developed by Adobe that preserves the layout and formatting of a document, regardless of the software, hardware, or operating system

used to view or print it. **How do I create a Ford Technical Service Bulletins F150 PDF?** There are several ways to create a PDF: Use software like Adobe Acrobat, Microsoft Word, or Google Docs, which often have built-in PDF creation tools. Print to PDF: Many applications and operating systems have a "Print to PDF" option that allows you to save a document as a PDF file instead of printing it on paper. Online converters: There are various online tools that can convert different file types to PDF. **How do I edit a Ford Technical Service Bulletins F150 PDF?** Editing a PDF can be done with software like Adobe Acrobat, which allows direct editing of text, images, and other elements within the PDF. Some free tools, like PDFescape or Smallpdf, also offer basic editing capabilities. **How do I convert a Ford Technical Service Bulletins F150 PDF to another file format?** There are multiple ways to convert a PDF to another format: Use online converters like Smallpdf, Zamzar, or Adobe Acrobats export feature to convert PDFs to formats like Word, Excel, JPEG, etc. Software like Adobe Acrobat, Microsoft Word, or other PDF editors may have options to export or save PDFs in different formats. **How do I password-protect a Ford Technical Service Bulletins F150 PDF?** Most PDF editing software allows you to add password protection. In Adobe Acrobat, for instance, you can go to "File" -> "Properties" -> "Security" to set a password to restrict access or editing capabilities. Are there any free alternatives to Adobe Acrobat for working with PDFs? Yes, there are many free alternatives for working with PDFs, such as: LibreOffice: Offers PDF editing features. PDFsam: Allows splitting, merging, and editing PDFs. Foxit Reader: Provides basic PDF viewing and editing capabilities. How do I compress a PDF file? You can use online tools like Smallpdf, ILovePDF, or desktop software like Adobe Acrobat to compress PDF files without significant quality loss. Compression reduces the file size, making it easier to share and download. Can I fill out forms in a PDF file? Yes, most PDF viewers/editors like Adobe Acrobat, Preview (on Mac), or various online tools allow you to fill out forms in PDF files by selecting text fields and entering information. Are there any restrictions when working with PDFs? Some PDFs might have restrictions set by their creator, such as password protection, editing restrictions, or print restrictions. Breaking these restrictions might require specific software or tools, which may or may not be legal depending on the circumstances and local laws.

Find Ford Technical Service Bulletins F150 :

hypnotisme suggestion psychotherapie

[hungry nations](#)

hunting of mr. gloves

[hydronics technology](#)

hydrology the fundamental basis of h 2nd edition

[hyperglycemia diabetes and vascular disease](#)

hypnosis to improve memory and recall audio cd audio

hymens triumph

hunting have fun be smart

hunters fen

hyas tyee united states customs 1848 198

hyacinth blue chronicles of the clandes

huperzine a boost your brain power

husband bought and paid for

i am reading-the perfect monster

Ford Technical Service Bulletins F150 :

aim high 2 lesson worksheets - Dec 27 2021

web aim high 2 displaying all worksheets related to aim high 2 worksheets are aim high workbook 2 with answer key aim

high workbook 2 with answer key aim high 1

aim high worksheets k12 workbook - Mar 30 2022

web aim high displaying all worksheets related to aim high worksheets are aim high 2 workbook answers aim high workbook

2 teacher aim high 1 workbook answers

aim high 2 worksheets learny kids - Jan 28 2022

web aim high 2 displaying top 8 worksheets found for aim high 2 some of the worksheets for this concept are aim high

workbook 2 with answer key aim high workbook 2 with

editing aim high 1 workbook answer key pdf online pdfiller - Mar 10 2023

web the purpose of the aim high 1 workbook is to provide additional practice and reinforcement of the language skills taught

in the aim high 1 student book it includes

aim high worksheets lesson worksheets - Apr 30 2022

web displaying all worksheets related to aim high worksheets are aim high 2 workbook answers aim high workbook 2 teacher

aim high 1 workbook answers aim high

aim high 3 teachers book pdf pdf human - May 12 2023

web aim high matches the cefr levels as follows skills aim high 1 a2 this section focuses on listening and speaking skills aim

high 2 b1 the topic of the listening comprehension

aim high level 5 oxford university press - Jul 02 2022

web aim high develops students knowledge of grammar vocabulary and study skills encouraging learner autonomy and exam success isbn 978 0 19 461568 6 deliver

[aim high 2 workbook answer key pdf answers for 2023 exams](#) - Dec 07 2022

web get aim high 1 workbook answer key pdf us legal forms complete aim high 1 workbook answer key pdf online with us legal forms easily fill out pdf blank edit

aim high level 5 workbook with online practice - Aug 15 2023

web isbn 978 0 19 445399 8 aim high is a six level course that develops language learning through carefully chosen vocabulary including words from the oxford 3000 texts

aim high level 6 teenagers oxford university press - Apr 11 2023

web aim high is a six level course that develops language learning through carefully chosen vocabulary including words from the oxford 3000 texts which are interesting and

aim high level 1 workbook with online practice - Jul 14 2023

web isbn 978 0 19 445446 9 aim high is a six level course that develops language learning through carefully chosen vocabulary including words from the oxford 3000 texts

aim high 2 workbook answers answers for 2023 exams - Feb 09 2023

web aim high 2 workbook answers added by request 3971 kb s 10566 aim high 2 workbook answers full 5727 kb s 405 aim high 2 workbook answer key pdf

[aim high level 1 student s book e book teenagers oxford](#) - Sep 23 2021

web aim high develops students knowledge of grammar vocabulary and study skills encouraging learner autonomy and exam success isbn 978 0 19 445459 9 aim high

aim high teacher s site oxford university press - Oct 25 2021

web welcome to the aim high teacher s site here you can find materials and resources to support using aim high in your classes

[aim high workbook 5 answer key answers for 2023 exams](#) - Jan 08 2023

web speed downloads aim high workbook 5 answer key 2931 kb s 6851 aim high workbook 5 answer key checked 1963 kb s 3259 aim high workbook 5 answer

aim high 3 worksheets teacher worksheets - Sep 04 2022

web 1 aim high workbook 3 with answer key 2 aim high workbook 3 teacher 3 aim high workbook 3 with answer key 4 aim high workbook 3 with answer key 5

aim high 2 worksheets teacher worksheets - Feb 26 2022

web aim high 2 showing top 8 worksheets in the category aim high 2 some of the worksheets displayed are aim high workbook 2 with answer key aim high workbook

aim high 6 teachers book oxford university press university - Jun 13 2023

web nov 23 2021 switt kitkumchonskul published aim high 6 teachers book on 2021 11 23 read the flipbook version of aim high 6 teachers book stories 34 3 partners 44 4

aim high 1 workbook 6nq822vpqzrw documents and e books - Aug 03 2022

web download view aim high 1 workbook as pdf for free more details pages 110 preview full text download view aim high 1 workbook as pdf for free related

aim high level 6 workbook teenagers oxford university press - Nov 25 2021

web pages 112 binding paperback dimensions 276x219 mm aim high is a six level course that develops language learning through carefully chosen vocabulary including words

aim high 1 workbook answer key pdf form signnow - Nov 06 2022

web quick steps to complete and e sign aim high workbook 1 answers online use get form or simply click on the template preview to open it in the editor start completing the

aim high 3 workbook answers key pdf read treca - Jun 01 2022

web online library aim high 3 workbook answers key aim high 3 workbook answers key research confirms that the teacher makes the greatest difference in the learning success

aim high workbook 4 answer key answers for 2023 exams - Oct 05 2022

web we allow aim high 4 workbook answer key and numerous ebook collections from fictions to scientific research in any way accompanied by them is this aim high 4 workbook

100 años de tanques fotos cultura el país - Dec 06 2022

web mar 21 2021 pero la historia de dos unidades militares de la segunda guerra mundial y cómo se inspiraron en el equipo militar falso incluía cientos de tanques inflables que

segunda guerra mundial el misterioso ejército fantasma que - Jul 01 2022

web may 14 2021 de los tres grandes tanquistas alemanes con los que he tenido intimidad literaria otto carius michael wittmann y kurt knispel ese tridente del blindado que

leopard 2 a7 los orígenes del tanque superpesado - Jan 07 2023

web tanque mediano o medio es una clasificación de los tanques principalmente empleada durante la segunda guerra mundial el tanque mediano como su nombre indica

50 toneladas y armado hasta los dientes así era el mejor tanque - Aug 22 2021

los temibles tanques nazis que aterrorizaron europa - Apr 10 2023

web wikimedia commons alberga una categoría multimedia sobre tanques de la unión soviética de la segunda guerra mundial
páginas en la categoría tanques de la

estos tres tanques de la urss fueron de los mejores de la - Mar 29 2022

web jan 16 2019 al mítico tanque se le rinden honores militares en las estaciones por las que pasa durante la segunda guerra mundial y hasta 1946 se fabricaron en serie más de
cuando los alemanes usaron el mejor tanque de la unión soviética en la - Nov 24 2021

tanque medio wikipedia la enciclopedia libre - Aug 02 2022

web tanques da segunda guerra mundial ajuda o commons possui uma categoria com imagens e outros ficheiros sobre tanques da segunda guerra mundial

los 10 tanques más recordados de la segunda guerra mundial - Jun 12 2023

web los tanques así como las armas anti tanque fueron los únicos tipos de armas terrestres que tuvieron una evolución importante durante el transcurso de la segunda guerra

categoría tanques de la segunda guerra mundial - Aug 14 2023

web páginas en la categoría tanques de la segunda guerra mundial esta categoría contiene las siguientes 8 páginas anexo vehículos blindados de combate de la segunda guerra mundial

categoría tanques de la unión soviética de la segunda guerra - Nov 05 2022

web mar 3 2021 tras aquella noche quedaba una gran batalla de tanques una contienda de 40 minutos en un lugar llamado medina ridge en la que participaron unos 3000

los extraños tanques que ayudaron a ganar la - May 11 2023

web el tanque de infantería mk iv o a22 churchill fue un tanque pesado británico empleado en la segunda guerra mundial conocido por su grueso blindaje gran chasis alargado con

tanques de leyenda lavanguardia com - Oct 24 2021**el misterio de los panzer quién fue el comandante de tanques** - Apr 29 2022

web el t 34 fue el mejor tanque soviético de la segunda guerra mundial bien armado y protegido rápido y maniobrable no tuvo rival en el campo de batalla hasta 1942 la gran escasez de municiones y piezas de repuesto dificultó el mantenimiento de los tanques en condiciones de combate algunos t 34 tuvieron que ser completamente desmontados

el rebelde jinete de tigres de acero kurt knispel el país - Jan 27 2022

web aug 6 2023 el tiger i fue el terror de los tanques aliados durante la guerra la fabricación del tiger i pues hubo una segunda versión aún más pesada y poderosa

[categoria tanques da segunda guerra mundial](#) - Feb 25 2022

web los alemanes usaron un tanque trofeo t 35 durante la batalla de berlin en 1945 en la que acabo siendo destruido pincha aquí para descubrir 8 cosas que no sabías del t

tanques 1939 1942 la segunda guerra mundial exordio - Mar 09 2023

web mar 25 2019 category tanks of world war ii from wikimedia commons the free media repository subcategories this category has the following 9 subcategories out of 9 total

la historia inédita de la batalla de tanques más dura del mundo - May 31 2022

web 01 12 2021 actualizado 03 12 2021 a las 11 17h el tanque tiger era una mole que encogía los corazones y estrechaba los pulmones colosal con un cañón de 88 mm que hacía

[m15 42 wikipedia la enciclopedia libre](#) - Sep 03 2022

web ni sus blindados ni su principal cañón antitanque el pak 36 de 37mm podían hacer nada contra el mejor tanque mediano de la segunda guerra mundial el t 34 podía hacer

estos fueron los peores tanques soviéticos de la segunda - Sep 22 2021

t 34 el tanque soviético que ganó la segunda guerra mundial - Jul 13 2023

web aug 18 2015 los especialistas consignan que la segunda guerra mundial fue la mayor guerra de la historia con gastos excesivos en capacidad humana militar tecnológica y

un experto resuelve en abc el gran debate el mejor tanque - Dec 26 2021

churchill carro de combate wikipedia la enciclopedia libre - Feb 08 2023

web el m15 42 fue el último tanque medio italiano producido durante la segunda guerra mundial estaba basado en los anteriores tanques medios m13 40 y m14 41 siendo

[category tanks of world war ii wikimedia](#) - Oct 04 2022

web nov 16 2020 en el arma acorazada del tercer reich despuntaron una infinidad de ases genios de los carros de combate que se convirtieron en la pesadilla de los

[customer service skills assessment how to assess candidates](#) - Sep 02 2023

web a customer service assessment test is an examination designed to evaluate how well a job applicant would fit the company s needs and the role of a customer service representative it assesses the candidate s skills knowledge and abilities

relevant to customer service

customer service representative skills assessment test vervoe - Jun 30 2023

web want to test for a great customer service representative use our customer service representative skills assessment template to find better candidates faster

customer service assessment test free practice questions - Apr 16 2022

web customer service assessment test free practice questions download aptitude assessment test practice pdf customer service assessment tests free call center assessment testing preparation test preparing xp 23 tests 264 questions

customer service test testdome - Aug 01 2023

web the assessment includes solving work sample tasks such as facilitating positive interactions with angry demanding and critical customers troubleshooting and resolving challenging issues and customer complaints providing competent customer service and support through written responses

customer service assessments 2023 prep guide assessment - May 18 2022

web jan 20 2023 what are customer service assessments are the assessments hard what are customer service assessments like format of the customer service assessments situational judgment tests how do i prepare for the assessments research the company what qualities are needed to get a customer service job

customer service aptitude test pre employment assessment - Jul 20 2022

web the customer service aptitude test is created by a subject matter expert testify s skill tests are designed by experienced smes subject matter experts we evaluate these experts based on specific metrics such as expertise capability and their market reputation prior to being published each skill test is peer reviewed by other experts

customer service agent skills assessment test vervoe - Mar 28 2023

web the skills tested in this assessment for a customer service agent include their ability to converse and interact with a diverse customer base provide excellent customer service in various scenarios and both their understanding of and ability to deploy active listening in customer interactions

how good is your customer service mind tools - Aug 21 2022

web how good is your customer service add some magic to the customer service mix use this quiz to test your organization s customer service skills in five key areas reliability assurance tangibles empathy and responsiveness

customer service quiz by freshdesk freshworks - Sep 21 2022

web 01 over 74 of customer service leaders globally have seen an increase in support volumes across digital channels freshworks 02 in certain instances the overall call volume to contact centers jumped over 600 from normal levels while agent call capacity dropped by 20 forrester 03 digital customer service interactions will increase

customer service assessment test preparation 2023 practice4me - Mar 16 2022

web what is the customer service positions test the customer service positions assessment is an exam focused on assessing how well any given job seeker or graduate would fit with the company s needs and the overall position as a

how to conduct a thorough customer service assessment - Dec 25 2022

web mar 19 2021 so to get the right employees for your organization you are going to have to conduct a thorough customer service assessment and we have 9 customer service assessments to help you assess your customer service candidates 1 hard skills assessments the first customer service assessment you should conduct is the

examples of customer service assessments that improve hiring - Apr 28 2023

web aug 31 2023 customer service assessment test examples for improved hiring posted by sheila kloefkorn 31st aug 2023 customer service organizations understand the importance of providing good service and know it improves client retention so they have increased their investment in customer service

customer service assessment tests interviews and role play - Nov 23 2022

web customer service skills assessment test being a good customer service representative means interacting with customers in a positive calm and personable way no matter the situation to determine if you have the skills necessary companies use customer service skills tests which take the form of a situational judgment test or sjt

customer service test candidate screening assessment tg - Jan 26 2023

web our pre employment tests will help you find the customer service professional who s right for your team you can gain insights into job applicants with an objective and comprehensive customer service test you can assess your customer

customer service assessment test free practice questions - Oct 03 2023

web feb 6 2023 prepare for customer service assessment tests with 23 practice tests and 300 questions answers written by experts get 25 off all test packages get my discount now

customer service assessment test online practice next interview - Feb 24 2023

web a customer service assessment test evaluates an individual s skills knowledge and abilities relevant to customer service it can measure various aspects such as communication skills problem solving empathy product knowledge and conflict resolution

customer service assessment test preparation and advice - Oct 23 2022

web the customer service assessment test has two main components scenarios test or a situational judgement test and a personality profiling self assessment customer service test questions encompassing scenarios should be answered with regard to the actions that you would most likely take if embroiled in the given situation

customer service test pre employment assessment testlify - May 30 2023

web overview of customer service test this skill test assesses the candidate s customer service capability through possible customer interaction scenarios the candidates are gauged by their skills in communicating with customers

[customer service skills chapter exam study com](#) - Feb 12 2022

web test and improve your knowledge of customer service skills with fun multiple choice exams you can take online with study com

customer service assessment test practice jobassessmenthelp - Jun 18 2022

web our customer service assessment test and supplemental material will give you the tools you need to help prepare for your exam increase your scores your confidence and your job opportunities by getting started with us today