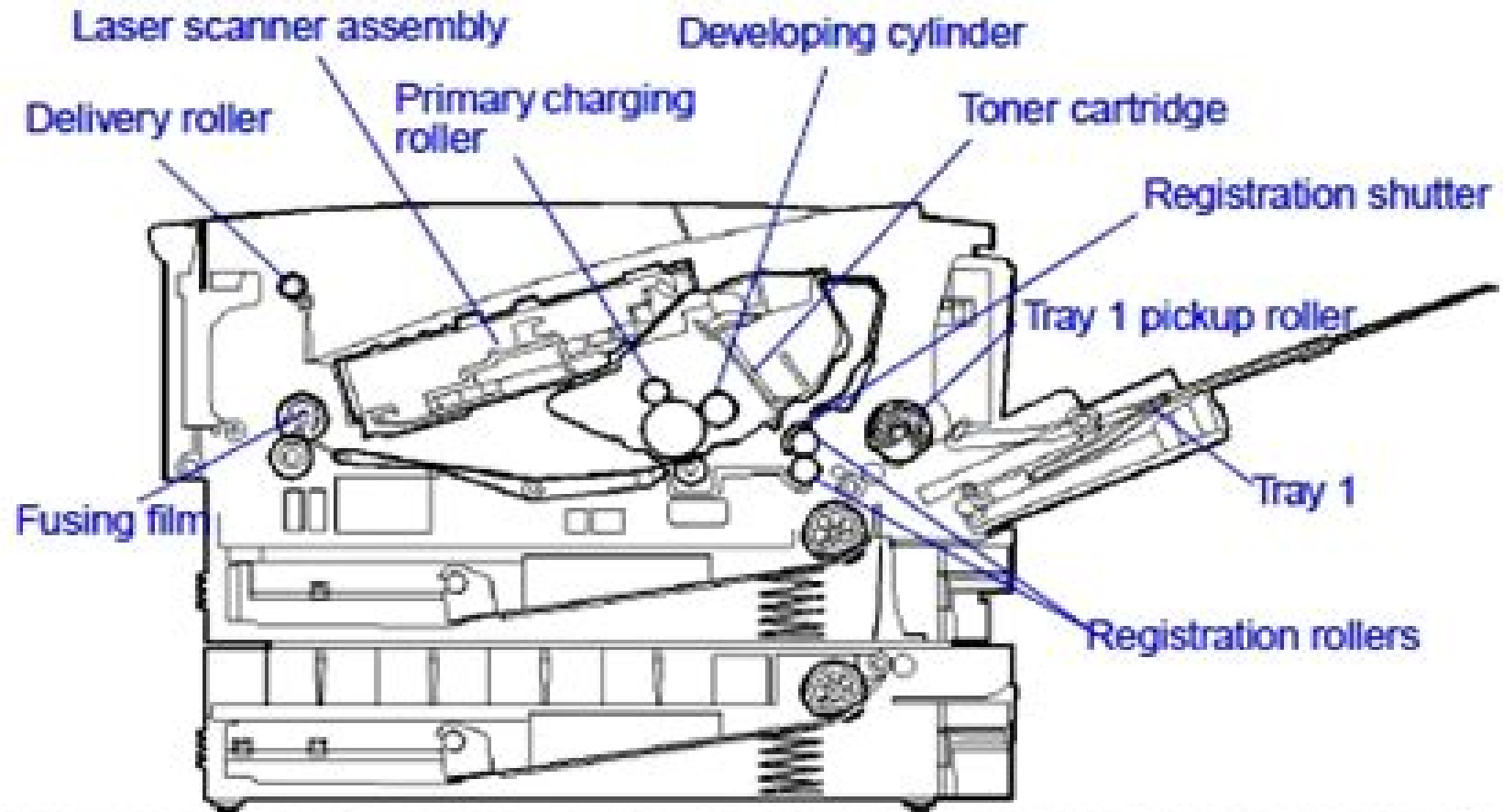


Internal Assembly Locations

Figure 1-6 Internal Assembly Locations (1 of 2)



Preview: HP LaserJet 2100 service manual

[Download Now!](#)

Hp Laserjet 2100 Repair Manual

Padhraic Smyth



Hp Laserjet 2100 Repair Manual:

Decoding **Hp Laserjet 2100 Repair Manual**: Revealing the Captivating Potential of Verbal Expression

In a period characterized by interconnectedness and an insatiable thirst for knowledge, the captivating potential of verbal expression has emerged as a formidable force. Its ability to evoke sentiments, stimulate introspection, and incite profound transformations is genuinely awe-inspiring. Within the pages of "**Hp Laserjet 2100 Repair Manual**," a mesmerizing literary creation penned by way of a celebrated wordsmith, readers embark on an enlightening odyssey, unraveling the intricate significance of language and its enduring affect our lives. In this appraisal, we shall explore the book is central themes, evaluate its distinctive writing style, and gauge its pervasive influence on the hearts and minds of its readership.

<https://staging.conocer.cide.edu/book/Resources/index.jsp/geely%20mk%20manual.pdf>

Table of Contents Hp Laserjet 2100 Repair Manual

1. Understanding the eBook Hp Laserjet 2100 Repair Manual
 - The Rise of Digital Reading Hp Laserjet 2100 Repair Manual
 - Advantages of eBooks Over Traditional Books
2. Identifying Hp Laserjet 2100 Repair Manual
 - Exploring Different Genres
 - Considering Fiction vs. Non-Fiction
 - Determining Your Reading Goals
3. Choosing the Right eBook Platform
 - Popular eBook Platforms
 - Features to Look for in an Hp Laserjet 2100 Repair Manual
 - User-Friendly Interface
4. Exploring eBook Recommendations from Hp Laserjet 2100 Repair Manual
 - Personalized Recommendations
 - Hp Laserjet 2100 Repair Manual User Reviews and Ratings
 - Hp Laserjet 2100 Repair Manual and Bestseller Lists

5. Accessing Hp Laserjet 2100 Repair Manual Free and Paid eBooks
 - Hp Laserjet 2100 Repair Manual Public Domain eBooks
 - Hp Laserjet 2100 Repair Manual eBook Subscription Services
 - Hp Laserjet 2100 Repair Manual Budget-Friendly Options
6. Navigating Hp Laserjet 2100 Repair Manual eBook Formats
 - ePub, PDF, MOBI, and More
 - Hp Laserjet 2100 Repair Manual Compatibility with Devices
 - Hp Laserjet 2100 Repair Manual Enhanced eBook Features
7. Enhancing Your Reading Experience
 - Adjustable Fonts and Text Sizes of Hp Laserjet 2100 Repair Manual
 - Highlighting and Note-Taking Hp Laserjet 2100 Repair Manual
 - Interactive Elements Hp Laserjet 2100 Repair Manual
8. Staying Engaged with Hp Laserjet 2100 Repair Manual
 - Joining Online Reading Communities
 - Participating in Virtual Book Clubs
 - Following Authors and Publishers Hp Laserjet 2100 Repair Manual
9. Balancing eBooks and Physical Books Hp Laserjet 2100 Repair Manual
 - Benefits of a Digital Library
 - Creating a Diverse Reading Collection Hp Laserjet 2100 Repair Manual
10. Overcoming Reading Challenges
 - Dealing with Digital Eye Strain
 - Minimizing Distractions
 - Managing Screen Time
11. Cultivating a Reading Routine Hp Laserjet 2100 Repair Manual
 - Setting Reading Goals Hp Laserjet 2100 Repair Manual
 - Carving Out Dedicated Reading Time
12. Sourcing Reliable Information of Hp Laserjet 2100 Repair Manual
 - Fact-Checking eBook Content of Hp Laserjet 2100 Repair Manual
 - Distinguishing Credible Sources
13. Promoting Lifelong Learning

- Utilizing eBooks for Skill Development
 - Exploring Educational eBooks
14. Embracing eBook Trends
- Integration of Multimedia Elements
 - Interactive and Gamified eBooks

Hp Laserjet 2100 Repair Manual Introduction

Hp Laserjet 2100 Repair Manual Offers over 60,000 free eBooks, including many classics that are in the public domain. Open Library: Provides access to over 1 million free eBooks, including classic literature and contemporary works. Hp Laserjet 2100 Repair Manual Offers a vast collection of books, some of which are available for free as PDF downloads, particularly older books in the public domain. Hp Laserjet 2100 Repair Manual : This website hosts a vast collection of scientific articles, books, and textbooks. While it operates in a legal gray area due to copyright issues, its a popular resource for finding various publications. Internet Archive for Hp Laserjet 2100 Repair Manual : Has an extensive collection of digital content, including books, articles, videos, and more. It has a massive library of free downloadable books. Free-eBooks Hp Laserjet 2100 Repair Manual Offers a diverse range of free eBooks across various genres. Hp Laserjet 2100 Repair Manual Focuses mainly on educational books, textbooks, and business books. It offers free PDF downloads for educational purposes. Hp Laserjet 2100 Repair Manual Provides a large selection of free eBooks in different genres, which are available for download in various formats, including PDF. Finding specific Hp Laserjet 2100 Repair Manual, especially related to Hp Laserjet 2100 Repair Manual, might be challenging as theyre often artistic creations rather than practical blueprints. However, you can explore the following steps to search for or create your own Online Searches: Look for websites, forums, or blogs dedicated to Hp Laserjet 2100 Repair Manual, Sometimes enthusiasts share their designs or concepts in PDF format. Books and Magazines Some Hp Laserjet 2100 Repair Manual books or magazines might include. Look for these in online stores or libraries. Remember that while Hp Laserjet 2100 Repair Manual, sharing copyrighted material without permission is not legal. Always ensure youre either creating your own or obtaining them from legitimate sources that allow sharing and downloading. Library Check if your local library offers eBook lending services. Many libraries have digital catalogs where you can borrow Hp Laserjet 2100 Repair Manual eBooks for free, including popular titles. Online Retailers: Websites like Amazon, Google Books, or Apple Books often sell eBooks. Sometimes, authors or publishers offer promotions or free periods for certain books. Authors Website Occasionally, authors provide excerpts or short stories for free on their websites. While this might not be the Hp Laserjet 2100 Repair Manual full book , it can give you a taste of the authors writing style. Subscription Services Platforms like Kindle Unlimited or Scribd offer subscription-based access to a wide range of Hp Laserjet 2100 Repair Manual

eBooks, including some popular titles.

FAQs About Hp Laserjet 2100 Repair Manual Books

What is a Hp Laserjet 2100 Repair Manual PDF? A PDF (Portable Document Format) is a file format developed by Adobe that preserves the layout and formatting of a document, regardless of the software, hardware, or operating system used to view or print it. **How do I create a Hp Laserjet 2100 Repair Manual PDF?** There are several ways to create a PDF: Use software like Adobe Acrobat, Microsoft Word, or Google Docs, which often have built-in PDF creation tools. Print to PDF: Many applications and operating systems have a "Print to PDF" option that allows you to save a document as a PDF file instead of printing it on paper. Online converters: There are various online tools that can convert different file types to PDF. **How do I edit a Hp Laserjet 2100 Repair Manual PDF?** Editing a PDF can be done with software like Adobe Acrobat, which allows direct editing of text, images, and other elements within the PDF. Some free tools, like PDFescape or Smallpdf, also offer basic editing capabilities. **How do I convert a Hp Laserjet 2100 Repair Manual PDF to another file format?** There are multiple ways to convert a PDF to another format: Use online converters like Smallpdf, Zamzar, or Adobe Acrobats export feature to convert PDFs to formats like Word, Excel, JPEG, etc. Software like Adobe Acrobat, Microsoft Word, or other PDF editors may have options to export or save PDFs in different formats. **How do I password-protect a Hp Laserjet 2100 Repair Manual PDF?** Most PDF editing software allows you to add password protection. In Adobe Acrobat, for instance, you can go to "File" -> "Properties" -> "Security" to set a password to restrict access or editing capabilities. Are there any free alternatives to Adobe Acrobat for working with PDFs? Yes, there are many free alternatives for working with PDFs, such as: LibreOffice: Offers PDF editing features. PDFsam: Allows splitting, merging, and editing PDFs. Foxit Reader: Provides basic PDF viewing and editing capabilities. How do I compress a PDF file? You can use online tools like Smallpdf, ILovePDF, or desktop software like Adobe Acrobat to compress PDF files without significant quality loss. Compression reduces the file size, making it easier to share and download. Can I fill out forms in a PDF file? Yes, most PDF viewers/editors like Adobe Acrobat, Preview (on Mac), or various online tools allow you to fill out forms in PDF files by selecting text fields and entering information. Are there any restrictions when working with PDFs? Some PDFs might have restrictions set by their creator, such as password protection, editing restrictions, or print restrictions. Breaking these restrictions might require specific software or tools, which may or may not be legal depending on the circumstances and local laws.

Find Hp Laserjet 2100 Repair Manual :

[geely mk manual](#)

[ge profile arctica ptg series refrigerator manual](#)

[general electric dishwasher user manual](#)

gehl rs10 44 telescopic handlers parts manual

[generac generator repair manual 09592](#)

[gen bio lab manual answers](#)

[general electric oven manual](#)

[gehl rs6 34 telescopic handler parts manual](#)

[general chemistry fourth edition full solution manual](#)

geacuteneacutelogie de la mondialisation analyse de la crise identitaire actuelle

gehl 4610 skid loader parts part ipl manual

[ge zenith transfer switch manual](#)

[gehl cb1250 forage harvester parts manual](#)

[genco jeep parts list](#)

[generac gn 220 service manual](#)

Hp Laserjet 2100 Repair Manual :

kaplan acca p2 study text pdf - Jul 01 2022

web study text 2020 2021 acca applied skills performance management pm study text p kaplan studocu

[acca audit and assurance aa study text kaplan publishing](#) - Nov 24 2021

[acca financial reporting fr study text kaplan](#) - Jun 12 2023

web find all the books you need for the acca qualification including study text exam kit and pocket notes

kaplan publishing acca books and study materials kaplan - Apr 10 2023

web acca p2 kaplan study text 2011 chapter 2 complex groups click here acca p2 kaplan study text 2011 chapter 3 change in a group structure click here acca

study text 2020 2021 acca applied skills performance - Mar 29 2022

web study text preview acca maintaining financial records fa2 study text exam sittings september 2023 june 2024 get the full

range of acca approved maintaining financial
acca f2 kaplan book pdf acca study material - Oct 24 2021

kaplan acca sbr p2 strategic business reporting int uk - May 31 2022

web this study text has been designed with the needs of home study and distance learning candidates in mind such students require very full coverage of the syllabus topics and

acca p2 corporate reporting international uk - Mar 09 2023

web uk financial reporting divergence the acca paper p2 study guide gives detailed advice on the syllabus all the extras are clearly labelled and fairly obvious within the paper p2

acca p2 kaplan study text 2011 acca study material - Feb 08 2023

web the study text comprises the main learning materials and gives guidance as to the importance of topics and where other related resources can be found each chapter

acca p2 corporate reporting - Jul 13 2023

web latest acca study material download 2019 2020 is available for download on one click you can download acca kaplan study material in pdf format at one place latest

acca advanced audit and assurance aaa study text - Aug 02 2022

web studylib documents flashcards chrome extension login upload document create flashcards accounting uploaded by huynhtrang061003 f3 fa kaplan study text

acca maintaining financial records fa2 study text kaplan - Dec 26 2021

f3 fa kaplan study text 2020 21 by - Apr 29 2022

web study text for cima advanced management accounting p2 kaplan publishing home cima advanced management accounting p2 study text cima advanced

[cima advanced management accounting p2 study text](#) - Jan 27 2022

web acca f2 kaplan book in pdf format is available for download you can download acca f2 kaplan book by clicking the link below latest acca study material download 2019

acca complete study text p2 cr int d10 - Nov 05 2022

web sep 1 2023 acca advanced audit and assurance aaa study text valid from 01 september 2023 to 31 august 2024 the study text includes all the information

cima advanced management accounting p2 study text - Sep 03 2022

web kaplan acca sbr p2 strategic business reporting int uk study text 2022 2023 brightbooks

atx kaplan study text opentuition - Oct 04 2022

web kaplan acca p2 study text acca paper f7 financial reporting gbr study text feb 27 2021 international and uk study text 2014 jun 14 2022 the examining

acca taxation tx uk study text kaplaninternational - Dec 06 2022

web jan 1 2023 cima advanced management accounting p2 study text the study text includes all the information included on the course as well as working examples and

p2 kaplan study book archives acca study material - May 11 2023

web our study texts practice revision kits and i passes for exams on demand are reviewed by the acca examining team and are written by our in house authors with

cima subject p2 advanced management accounting study text - Feb 25 2022

web acca audit and assurance aa study text exam sittings september 2023 june 2024 in audit and assurance you ll understand the process of carrying out an assurance

acca books and study materials kaplan publishing - Aug 14 2023

web study practise and revise with our acca study materials acca books pocket notes revision kits with past exam papers plus short video lectures straightforward resources

studying the uk stream of paper p2 acca global - Jan 07 2023

web apr 6 2023 atx kaplan study text free acca cima online courses from opentuition free notes lectures tests and forums for acca and cima exams i

create amazing images from your nokia lumia windows - Jun 05 2023

web may 7 2012 exclusive and free for nokia lumia smartphones creative studio is nokia s home grown photo enhancing app with creative studio you ve got the option

nokia photos free download and software reviews cnet - Aug 07 2023

web download nokia photo editor apps best software for windows avs photo editor a convenient combination of image browser and editor

download nokia picture message editor for free windows - Mar 22 2022

web click the button create your discord avatar to head to fotor profile maker click the templates at the left tool menu enter the keyword discord in the search box and

nokia photos for windows download it from uptodown - Sep 08 2023

web specially designed to work with nseries devices nokia photos can be used to transfer edit organize and share all the

pictures and videos that you take with your nseries

[15 best photo editor apps for android in 2023](#) - May 04 2023

web nokia corporation is not a manufacturer importer distributor or retailer of the nokia branded products offered by hmd global oy bertel jungin aukio 9 02600 espoo

[nokia photo editing software free download nokia photo](#) - Jun 24 2022

web download nokia picture message editor for free system utilities downloads picture message editor by kessler wireless design and many more programs windows

the google photo magic editor comes with some restrictions - Oct 17 2021

the best photo editing software for 2023 pcmag - Oct 29 2022

web nokia photo editor software elfin photo editor v 2 23 elfin photo editor contains all the essential tools to edit and optimize digital photos add frames text and 35 special

[our top five photo enhancing apps for your nokia lumia](#) - Mar 02 2023

web nokia image editor software faststone image viewer freefaststone soft manage view edit and convert your images in batches adobe photoshop elements adobe

nokia photos editor software free download nokia photos - Apr 03 2023

web aug 28 2011 nokia n8 professional photo editing tips microsoft devices blog august 28 2011 lumia nokia n8 professional photo editing tips microsoft devices team

[discord pfp maker create discord profile picture for free with](#) - Dec 19 2021

web users interested in nokia mobile image editor download generally download image components image editor free editon 3 4 free view jpg bmp png gif as well as

there are things that google s magic editor won t fix - Nov 17 2021

[app review nokia n8 photo editor microsoft devices blog](#) - Sep 27 2022

web nokia photo editing software free download nokia photo editing photopad photo editing free for mac v 2 89 photopad free photo editing software for mac allows you

al photo editor instant photo editing with ai fotor - Feb 18 2022

web 2 days ago this same deep dive into version 6 60 of google photos unearthed a possible new feature arriving for the magic editor according to the publication text to image

our top five photo editing apps on nokia lumia - Oct 09 2023

web sep 25 2008 nokia photos is an application that allows you to transfer photographs on your phone to your pc and viceversa nokia photos functions similar to other

[microsoft photos official app in the microsoft store](#) - May 24 2022

web with fotor s online photo editor helps you edit photo effeciently with smart tools like background remover cropper resizer filters photo enhancer photo retoucher etc no

image editor at nokia software informer - Nov 29 2022

web one program does it all introducing nx studio a new image processing suite designed for viewing processing and editing images captured with nikon digital cameras

[nokia n8 professional photo editing tips windows blog](#) - Dec 31 2022

web nov 2 2010 photo editor is launched automatically from the photo gallery of your nokia n8 and once loaded you ll be able to crop images reduce red eye add animations or

nx studio image viewing and editing software nikon - Aug 27 2022

web microsoft photos is a rich media experience that empowers you to do more with your photos and videos the newly redesigned and reengineered photos app is intuitive

nokia mobile image editor download free suggestions - Sep 15 2021

nokia photo editor software free download nokia photo - Jul 26 2022

web nokia photo editor software free download nokia photo editor photo pos pro photo editor v 4 02 photo pos pro photo editor is the ultimate tool to turn you digital photos

[nokia photo editor software free download nokia photo editor](#) - Apr 22 2022

web with the right free photo editing software you can transform your pictures into works of art without spending a fortune we ve done the research and gathered a list of the top 17

17 best free photo editing software for windows pc in 2023 - Jan 20 2022

web 1 day ago this feature is the google photo magic editor and it uses ai to effect changes to the user s pictures a few years ago during the pixel 6 series launch google debuted

nokia photo editor apps free download suggestions - Jul 06 2023

web nokia photos 1 6 434 is well known as a simple yet effective tool that is designed to enable you to manage all your photos and videos specially designed to work with nseries

[how can i crop and make other photo edits in the](#) - Feb 01 2023

web oct 13 2023 whether you re a casual selfie shooter or a professional photographer the best photo editing software lets

you get the most out of your images these are the

corsets for men past and present dark garden - Apr 01 2023

web nov 28 2017 as valerie steele argues in her book fetish fashion sex and power however corsetry and the male body have a long and interesting history steele first

corsets corselettes open bottom girdles flickr - Sep 06 2023

web a gallery curated by robyn michaels dear diary the figure enhancing attributes of corsets and other figure shaping feminine underpinnings cannot be denied but by themselves

i wear a corset 20 hours a day hooked on the look - Sep 25 2022

web legacy ebody reborn juicy rolls kupra corset top 25 colours 6 fatpack colours 2 normals and 3 shine on or off leather or suede texture options

feminizing corsets for amab trans women genderfluid people - Mar 20 2022

web dec 4 2022 myth 1 corsets are so tight they make you faint no corsets don t make you faint the only way this is going to happen is if you are lacing your corset much too tight

tight corset photos on flickr flickr - Jul 24 2022

web our corsets that work for men glamorous corset doesn t make corsets specifically for men but we have several styles that work very well for men men have been wearing

why do men wear corsets the lingerie addict - Apr 20 2022

web feb 17 2021 while the corset can today be seen as a sexy kind of cheeky garment adds steele for four centuries to wear one was to be respectable and conformist to

corsets for men glamorous corset - May 22 2022

web apr 15 2021 bethan offers feminizing corsets in three styles pride sloth and nouveau and the corsets can be designed to fit to the body like a glove or to incorporate padding

are corsets uncomfortable bad for posture dangerous here - Jan 18 2022

web jul 27 2019 why men should wear corsets for men wearing a corset accentuates the v shape from the shoulders to the waist rather than the hourglass of waist to hips in

the definitive guide to tight lacing everything you need to - Oct 27 2022

web dec 11 2018 men wear corsets for costuming cross dressing corsets have many practical uses but let s not forget that they re also fabulous whether you re attending a

the controversial garment that never goes out of fashion bbc - Feb 16 2022

web men wearing very tight corsets victorian secrets nov 18 2021 on sarah a chrisman s twenty ninth birthday her husband

gabriel presented her with a corset the material

corsets for men lucy s corsetry - Feb 28 2023

web browse getty images premium collection of high quality authentic man corset stock photos royalty free images and pictures man corset stock photos are available in a

mens corsets history modern styles and choosing the right corset - Nov 27 2022

web sep 5 2019 subscribe to barcroft tv bit ly oc61hja mother of one wants to match the record for the world s smallest waist by shrinking her middle to a tiny 15

the try guys wear corsets for 72 hours youtube - May 02 2023

web jul 28 2018 the try guys wear corsets for 72 hours behind the try a try guys documentary is now streaming everywhere tryguys com movie watch

lots of corsets from corset story try on tight lacing self test - Aug 05 2023

web nov 8 2020 lots of corsets from corset story try on tight lacing self test i tried to lace my waist as tight as i can but i already failed pretty soon but have a look at the video to see yourself

man corset photos and premium high res pictures getty images - Dec 29 2022

web apr 27 2023 if you are a tight lacing aficionado and you wear your corsets for extended periods or for the truly committed out there 24 7 then you are changing the shape of

is it bad for a man to wear a corset sage advices - Nov 15 2021

how to put on a corset 15 steps with pictures wikipedi - Jun 22 2022

web sep 26 2014 of course many men do wear corsets for purely aesthetic purposes just as women wear smoothing shapewear for men wearing corsets accentuates the v

men wearing very tight corsets book - Dec 17 2021

[lace me up daddy a brief glimpse into male corsetry](#) - Jan 30 2023

web may 27 2023 if you re wondering whether men can wear corsets the answer is yes for centuries corsets have been associated with women s fashion corsets for men have

male corseting a new fashion statement for men - Jun 03 2023

web can men wear corsets yes men can wear corsets without any issue however finding a suitable corset for the male body can be challenging since most corsets are designed

can men wear corsets yes and here s why glamorous corset - Aug 25 2022

web jun 19 2023 tie the corset into a bow or knot now that the corset is nice and tight tie all four laces together into a bow or knot they may be somewhat loose but that s okay just

gallery 16 staylace com - Jul 04 2023

web above pshemko vic s early 2014 here is a photo of my newest corset from c s constructions which is now seasoned to my physique it has been worn progressively

man in corsets trend male corsetry example with photos - Oct 07 2023

web explore the world of male corsetry with our unique collection of men s corsets embrace the art of men s corsetry and discover a new dimension of fashion our mens corsets