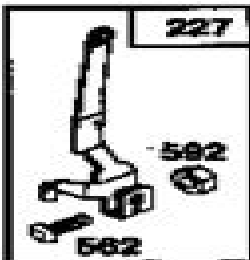
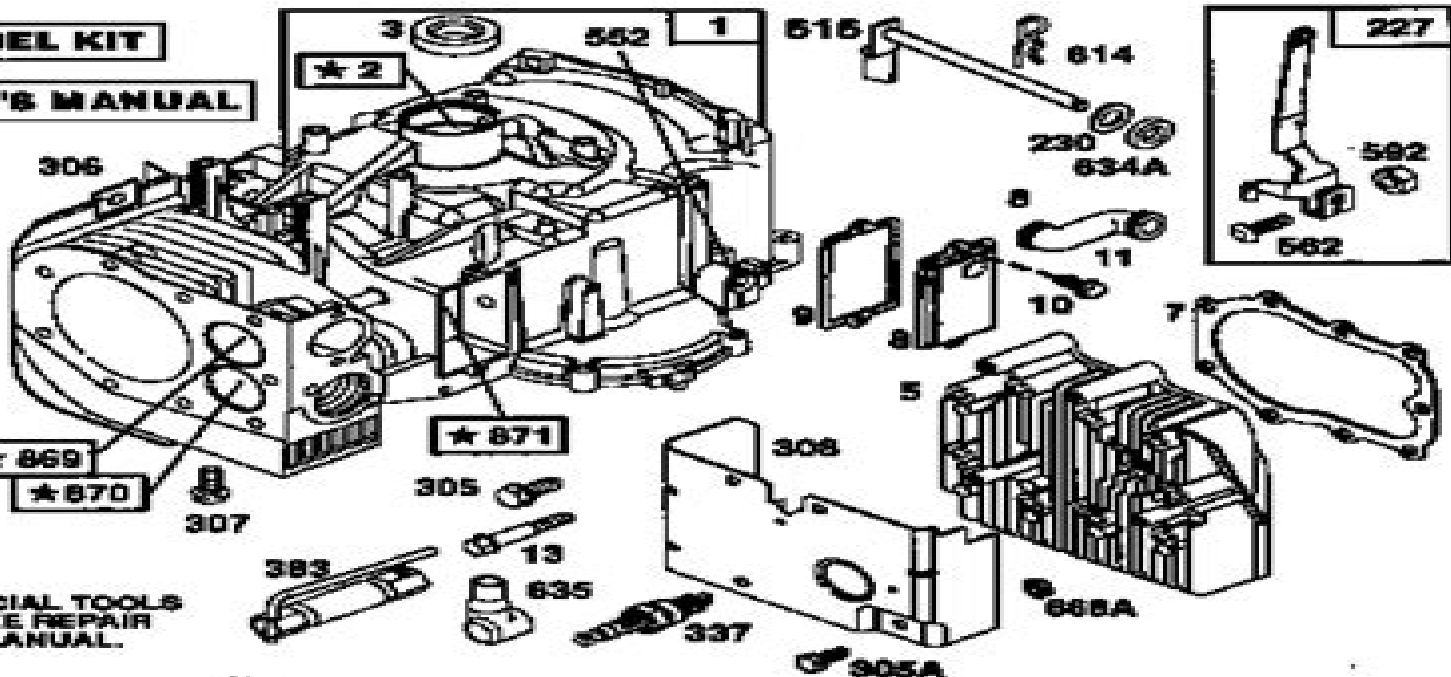
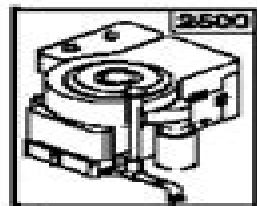
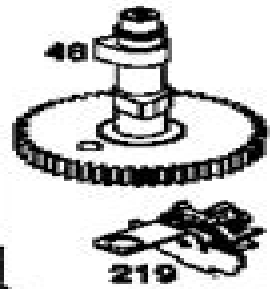
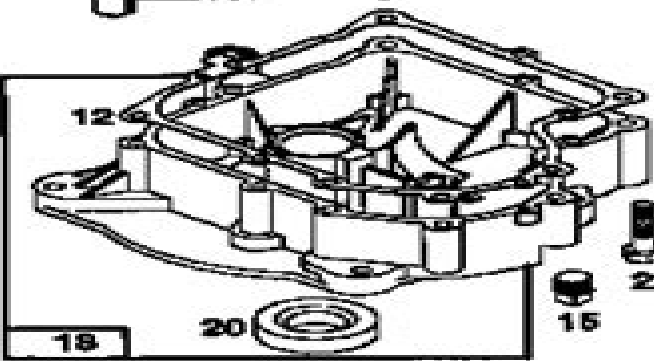
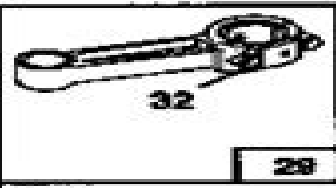
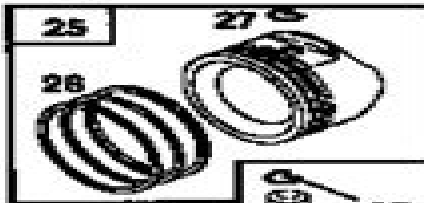
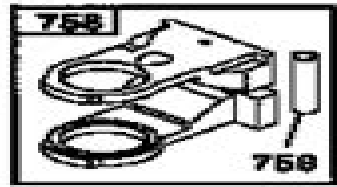
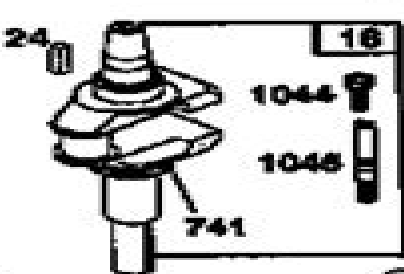
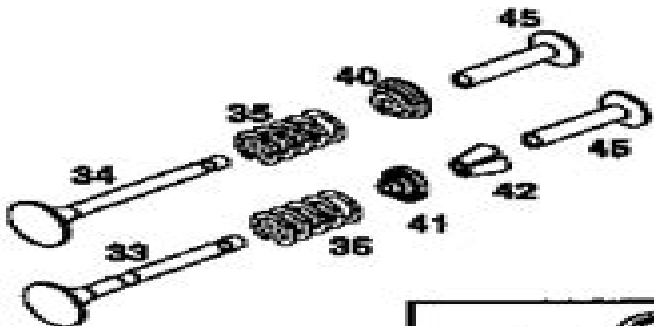


1019 LABEL KIT

1066 OWNER'S MANUAL



★ REQUIRES SPECIAL TOOLS TO INSTALL. SEE REPAIR INSTRUCTION MANUAL.



Model 28n707 Briggs Manual

M Planty



Model 28n707 Briggs Manual:

This is likewise one of the factors by obtaining the soft documents of this **Model 28n707 Briggs Manual** by online. You might not require more get older to spend to go to the book opening as without difficulty as search for them. In some cases, you likewise realize not discover the pronouncement Model 28n707 Briggs Manual that you are looking for. It will enormously squander the time.

However below, with you visit this web page, it will be therefore agreed easy to get as with ease as download lead Model 28n707 Briggs Manual

It will not receive many epoch as we explain before. You can accomplish it while play something else at home and even in your workplace. in view of that easy! So, are you question? Just exercise just what we pay for under as capably as evaluation **Model 28n707 Briggs Manual** what you with to read!

<https://staging.conocer.cide.edu/public/publication/index.jsp/Keep%20It%20Simple%20For%20Busy%20Moms%20Less%20Stress%20And%20More%20Fun.pdf>

Table of Contents Model 28n707 Briggs Manual

1. Understanding the eBook Model 28n707 Briggs Manual
 - The Rise of Digital Reading Model 28n707 Briggs Manual
 - Advantages of eBooks Over Traditional Books
2. Identifying Model 28n707 Briggs Manual
 - Exploring Different Genres
 - Considering Fiction vs. Non-Fiction
 - Determining Your Reading Goals
3. Choosing the Right eBook Platform
 - Popular eBook Platforms
 - Features to Look for in an Model 28n707 Briggs Manual
 - User-Friendly Interface

4. Exploring eBook Recommendations from Model 28n707 Briggs Manual
 - Personalized Recommendations
 - Model 28n707 Briggs Manual User Reviews and Ratings
 - Model 28n707 Briggs Manual and Bestseller Lists
5. Accessing Model 28n707 Briggs Manual Free and Paid eBooks
 - Model 28n707 Briggs Manual Public Domain eBooks
 - Model 28n707 Briggs Manual eBook Subscription Services
 - Model 28n707 Briggs Manual Budget-Friendly Options
6. Navigating Model 28n707 Briggs Manual eBook Formats
 - ePub, PDF, MOBI, and More
 - Model 28n707 Briggs Manual Compatibility with Devices
 - Model 28n707 Briggs Manual Enhanced eBook Features
7. Enhancing Your Reading Experience
 - Adjustable Fonts and Text Sizes of Model 28n707 Briggs Manual
 - Highlighting and Note-Taking Model 28n707 Briggs Manual
 - Interactive Elements Model 28n707 Briggs Manual
8. Staying Engaged with Model 28n707 Briggs Manual
 - Joining Online Reading Communities
 - Participating in Virtual Book Clubs
 - Following Authors and Publishers Model 28n707 Briggs Manual
9. Balancing eBooks and Physical Books Model 28n707 Briggs Manual
 - Benefits of a Digital Library
 - Creating a Diverse Reading Collection Model 28n707 Briggs Manual
10. Overcoming Reading Challenges
 - Dealing with Digital Eye Strain
 - Minimizing Distractions
 - Managing Screen Time
11. Cultivating a Reading Routine Model 28n707 Briggs Manual
 - Setting Reading Goals Model 28n707 Briggs Manual
 - Carving Out Dedicated Reading Time

12. Sourcing Reliable Information of Model 28n707 Briggs Manual
 - Fact-Checking eBook Content of Model 28n707 Briggs Manual
 - Distinguishing Credible Sources
13. Promoting Lifelong Learning
 - Utilizing eBooks for Skill Development
 - Exploring Educational eBooks
14. Embracing eBook Trends
 - Integration of Multimedia Elements
 - Interactive and Gamified eBooks

Model 28n707 Briggs Manual Introduction

Model 28n707 Briggs Manual Offers over 60,000 free eBooks, including many classics that are in the public domain. Open Library: Provides access to over 1 million free eBooks, including classic literature and contemporary works. Model 28n707 Briggs Manual Offers a vast collection of books, some of which are available for free as PDF downloads, particularly older books in the public domain. Model 28n707 Briggs Manual : This website hosts a vast collection of scientific articles, books, and textbooks. While it operates in a legal gray area due to copyright issues, its a popular resource for finding various publications. Internet Archive for Model 28n707 Briggs Manual : Has an extensive collection of digital content, including books, articles, videos, and more. It has a massive library of free downloadable books. Free-eBooks Model 28n707 Briggs Manual Offers a diverse range of free eBooks across various genres. Model 28n707 Briggs Manual Focuses mainly on educational books, textbooks, and business books. It offers free PDF downloads for educational purposes. Model 28n707 Briggs Manual Provides a large selection of free eBooks in different genres, which are available for download in various formats, including PDF. Finding specific Model 28n707 Briggs Manual, especially related to Model 28n707 Briggs Manual, might be challenging as theyre often artistic creations rather than practical blueprints. However, you can explore the following steps to search for or create your own Online Searches: Look for websites, forums, or blogs dedicated to Model 28n707 Briggs Manual, Sometimes enthusiasts share their designs or concepts in PDF format. Books and Magazines Some Model 28n707 Briggs Manual books or magazines might include. Look for these in online stores or libraries. Remember that while Model 28n707 Briggs Manual, sharing copyrighted material without permission is not legal. Always ensure youre either creating your own or obtaining them from legitimate sources that allow sharing and downloading. Library Check if your local library offers eBook lending services. Many libraries have digital catalogs where you can borrow Model 28n707 Briggs Manual eBooks for free, including popular titles. Online Retailers: Websites like Amazon, Google Books, or Apple Books often

sell eBooks. Sometimes, authors or publishers offer promotions or free periods for certain books. Authors Website Occasionally, authors provide excerpts or short stories for free on their websites. While this might not be the Model 28n707 Briggs Manual full book, it can give you a taste of the authors writing style. Subscription Services Platforms like Kindle Unlimited or Scribd offer subscription-based access to a wide range of Model 28n707 Briggs Manual eBooks, including some popular titles.

FAQs About Model 28n707 Briggs Manual Books

1. Where can I buy Model 28n707 Briggs Manual books? Bookstores: Physical bookstores like Barnes & Noble, Waterstones, and independent local stores. Online Retailers: Amazon, Book Depository, and various online bookstores offer a wide range of books in physical and digital formats.
2. What are the different book formats available? Hardcover: Sturdy and durable, usually more expensive. Paperback: Cheaper, lighter, and more portable than hardcovers. E-books: Digital books available for e-readers like Kindle or software like Apple Books, Kindle, and Google Play Books.
3. How do I choose a Model 28n707 Briggs Manual book to read? Genres: Consider the genre you enjoy (fiction, non-fiction, mystery, sci-fi, etc.). Recommendations: Ask friends, join book clubs, or explore online reviews and recommendations. Author: If you like a particular author, you might enjoy more of their work.
4. How do I take care of Model 28n707 Briggs Manual books? Storage: Keep them away from direct sunlight and in a dry environment. Handling: Avoid folding pages, use bookmarks, and handle them with clean hands. Cleaning: Gently dust the covers and pages occasionally.
5. Can I borrow books without buying them? Public Libraries: Local libraries offer a wide range of books for borrowing. Book Swaps: Community book exchanges or online platforms where people exchange books.
6. How can I track my reading progress or manage my book collection? Book Tracking Apps: Goodreads, LibraryThing, and Book Catalogue are popular apps for tracking your reading progress and managing book collections. Spreadsheets: You can create your own spreadsheet to track books read, ratings, and other details.
7. What are Model 28n707 Briggs Manual audiobooks, and where can I find them? Audiobooks: Audio recordings of books, perfect for listening while commuting or multitasking. Platforms: Audible, LibriVox, and Google Play Books offer a wide selection of audiobooks.
8. How do I support authors or the book industry? Buy Books: Purchase books from authors or independent bookstores.

Reviews: Leave reviews on platforms like Goodreads or Amazon. Promotion: Share your favorite books on social media or recommend them to friends.

9. Are there book clubs or reading communities I can join? Local Clubs: Check for local book clubs in libraries or community centers. Online Communities: Platforms like Goodreads have virtual book clubs and discussion groups.
10. Can I read Model 28n707 Briggs Manual books for free? Public Domain Books: Many classic books are available for free as they're in the public domain. Free E-books: Some websites offer free e-books legally, like Project Gutenberg or Open Library.

Find Model 28n707 Briggs Manual :

keep it simple for busy moms less stress... and more fun

kaufen tauschen teilen musik im internet

keep the home firest moving

keeping her safe babies and bachelors utah

key board experience & piano class instruction.

kenpo karate 101 what the beginner and the black belt should know paperback

katie morag and the two grandmothers

key indicators of developing asian and pacific countries 1994

kathe kollwitz das bild der frau

kaz el minotauro

keith haring holiday star notecard wallet 10 cards with envelopes

kerne des paradiesischen apfels

keeping up appearances angel gabriel blue

kenkyushas new collegiate english japane

kawasaki zx500 and ninja zx600 19851997

Model 28n707 Briggs Manual :

writing task 2 essay structure and writing an introduction take ielts - Jun 19 2023

web procedure introduce focus of the lesson writing task 2 essay structures and introductions give each student a copy of worksheet 1 and one minute to read the task 2 question elicit possible next steps before writing i e brainstorming ideas

six ielts writing sample exercises british council singapore - Mar 16 2023

web in this post we will focus on what to expect from the academic writing tasks with examples plus how the british council can support you learn more on ielts preparation courses what is the ielts academic writing test the 60 minute test is divided into two tasks which we will now explore

35 sample band 9 ielts essays ielts podcast - Jul 20 2023

web take a look at these 35 sample band 9 ielts essays for writing task 2 of the ielts exam task 2 can cover a wide range of essay topics for the ielts writing task section of the test so preparation is key use the following samples when preparing your ielts essays to see how close you are to a band 9

ielts essay templates pdf ieltsanswers - Sep 22 2023

web memorising and using this template can help you to speed up the writing of your essay you have less language to think of and also help you to increase your score as you have a lower proportion of errors and also increase your score for vocabulary and grammar because the template has high level vocabulary and grammar embedded in it

sample template for dynamic chart ielts academic writing - Aug 21 2023

web nov 5 2021 sample template for dynamic chart ielts academic writing task 1 november 5 2021 6430 in ielts academic writing task 1 there are two types of charts or graphs including static and dynamic used for

free online ielts writing practice tests take ielts - Jan 14 2023

web free online ielts general training writing practice test paper practise for your general training ielts writing test familiarise yourself with the ielts writing exams with these free online ielts writing practice tests each with answers to assess your ability

the best ielts task 2 writing template magoosh - Oct 23 2023

web apr 9 2021 take a look at how i ve used the ielts writing task 2 template below to create two samples one ielts writing task 2 academic band 9 and one at band 8 here s the prompt children today spend too much time playing on screens and not enough time doing physical activity

free online ielts academic writing practice tests take ielts - May 18 2023

web write at least 150 words for task 1 write at least 250 words for task 2 write your answers in the answer booklet write clearly in pen or pencil you may make alterations but make sure your work is easy to read at the end of the test hand in both the question paper and your answer booklet once you have completed both tasks review your work

free ielts writing templates ielts university singapore - Apr 17 2023

web free ielts writing templates ielts university singapore get your ielts 7 0 without having to resit the test over and over again updated november 2023

[ielts practice academic writing test task 1 take ielts](#) - Feb 15 2023

web this sample offers a useful guide for how to structure your answer for ielts writing task 1 as well as the style of writing expected a good way to improve is to reflect on how your answer compares to the model answer and of course keep practicing

amdm student activity sheet 4 extension answer 2023 - Oct 11 2022

web 4 4 amdm student activity sheet 4 extension answer 2023 09 02 sheets 2nd quarter how to answer learning activity sheet cookery 9 activity task 1 4 iv std english activity sheet 6 7 8 grade 9 arts characteristics of arts in western classical period module base w learning task worksheets in english

[unit 3 activity sheet amdm answers 2023](#) - Jan 14 2023

web this book contains 30 full color activity sheets for children aged 4 to 5 mathematics 7 student activity sheets 2015 2016 aug 14 2022 fun sheets for kindergarten a full color activity workbook for children aged 4 to 5 vol 1 jul 21

amdm student activity sheet 4 extension answer full pdf - Aug 21 2023

web amdm student activity sheet 4 extension answer this is likewise one of the factors by obtaining the soft documents of this amdm student activity sheet 4 extension answer by online you might not require more become old to spend to go to the book introduction as competently as search for them in some cases you likewise get not discover the

downloadable free pdfs amdm student activity sheet 4 extension answer - Sep 10 2022

web apr 13 2023 right here we have countless books amdm student activity sheet 4 extension answer pdf pdf and collections to check out we additionally provide variant types and also type of the books to browse the adequate book fiction history novel scientific research as skillfully as various extra sorts of books are readily approachable

amdm unit 4 hillgrove - Jul 20 2023

web notes worksheets answer keys 4 1 scatter plots 4 7 unit 4 review n a 4 7 unit 4 review 4 7 unit 4 review key powered by create your own unique website with customizable templates get started home

pdf unit 3 activity sheet amdm answers - May 06 2022

web give students the learning power to move to the head of the class this book features ten packets of reproducible activities that support state and nctm standards and cover the six essential strands of mathematics simply complete each packet s customizable cover sheet reproduce the activity pages and send them home with your students

free amdm student activity sheet 4 extension answer - May 18 2023

web evaluation of completed the activity sheets and student surveys i determined that the activity sheet was not effective at fostering learning or interest however the activity sheets were effective when used by chaperones instead of individual students additional research should be conducted to specifically

richmond county school system welcome - Feb 15 2023

web *ĐĨ à á þÿ v x*

amdm student activity sheet 4 extension answer pdf 2023 - Jun 07 2022

web amdm student activity sheet 4 extension answer pdf pages 2 18 amdm student activity sheet 4 extension answer pdf upload caliva d murray 2 18 downloaded from china int indonesia travel on september 7 2023 by caliva d murray making this an essential resource for students and practitioners alike method validation in pharmaceutical analysis

amdm student activity sheet 4 extension answer full pdf - Oct 23 2023

web nov 11 2023 amdm student activity sheet 4 extension answer 2017 01 02 2 14 amdm student activity sheet 4 extension answer authorization civilian applications extension pamphlet department of housing and urban development and certain independent agencies appropriations for fiscal year 1977 new national framework mathematics

amdm student activity sheet 4 extension answer pdf copy - Dec 13 2022

web amdm student activity sheet 4 extension answer pdf is available in our digital library an online access to it is set as public so you can get it instantly our book servers spans in multiple locations allowing you to get the most less latency time to download

grade 4 adm modules quarter 4 for s y 2020 2021 free download - Apr 05 2022

web may 17 2021 do not mark or write any part of the module use a separate sheet of paper to answer the exercises 2 do not forget to answer the test before moving on to the other activities in the module 3 read the instructions carefully before doing each exercise 4 observe honesty and integrity in performing tasks and in correcting answers 5

amdm student activity sheet 4 extension answer pdf - Mar 16 2023

web jun 6 2023 you could purchase guide amdm student activity sheet 4 extension answer pdf or get it as soon as feasible you could quickly download this amdm student activity sheet 4 extension answer pdf after getting deal

analyzing numerical data using ratios i b student activity sheet 4 - Sep 22 2023

web nov 10 2010 i b student activity sheet 4 ratios in the media charles a dana center at the university of texas at austin advanced mathematical decision making 2010 activity sheet 4 5 pages 11 9 extension some figures have what is known as a golden ratio which is an aspect ratio that is considered to be visually appealing

amdm student activity sheet 4 extension answer pdf web mei - Nov 12 2022

web 4 4 amdm student activity sheet 4 extension answer 2021 11 27 shown that when teachers schools and districts take a systematic approach to helping students identify and master essential vocabulary and concepts of a given subject area student comprehension and achievement rises in the manual readers will find the following tools a

amdm student pages semester 2 redanhs dekalb k12 ga us - Jun 19 2023

web amdm student expectations provided the basis for the texas essential knowledge and skills iv b student activity sheet 4 comparing models 15 iv c student activity sheet 5 newton s law of cooling 17 iv c student activity sheet 6 rates of change in exponential models

[download solutions amdm student activity sheet 4 extension answer](#) - Apr 17 2023

web jun 21 2023 right here we have countless ebook amdm student activity sheet 4 extension answer pdf pdf and collections to check out we additionally meet the expense of variant types and as well as type of the books to browse the within acceptable limits book fiction history novel scientific research as skillfully as various further sorts

quarter 4 adm modules for grade 4 with las s y 2021 2022 - Mar 04 2022

web jan 20 2022 this is a compilation of quarter 4 adm modules for grade 4 quarter 4 of school year 2021 2022 what is alternative delivery modes adm alternative delivery modes adm are tried and tested alternative modalities of education delivery within the confines of the formal system that allow schools to deliver quality education to

amdm student activity sheet 4 extension answer 2022 - Aug 09 2022

web amdm student activity sheet 4 extension answer this is likewise one of the factors by obtaining the soft documents of this amdm student activity sheet 4 extension answer by online you might not require more get older to spend to go to the books inauguration as skillfully as search for them in some cases you likewise realize not amdm

[amdm student activity sheet 4 extension answer download free](#) - Jul 08 2022

web amdm student activity sheet 4 extension answer 2018 03 06 1 8 amdm student activity sheet 4 extension answer introduction amdm student activity sheet 4 extension answer pdf

sainte garde un lieu d accueil et de prière en provence - Jul 13 2023

web découvrez sur decitre fr saint didier sainte garde le beaucet le valsaint par henri choisselet Éditeur barthélemy editions alain librairie decitre

saint didier sainte garde le beaucet le valsaint copy - Oct 04 2022

web manières inexplicables continuant à dénoncer les saint didier sainte garde le beaucet le valsaint by henri saint didier sainte garde le beaucet le valsaint by henri choisselet

commune de saint didier en velay 43177 insee - Apr 29 2022

web situé à istanbul à 2 minutes du grand bazar et à quelques pas d une station de métro le grand beyazit hotel possède une salle de sport un jacuzzi une connexion wi fi

[couvent sainte garde des champs de](#) - Aug 14 2023

web sainte garde un lieu d accueil et de prière en provence une maison ouverte au service de l eglise et du monde entier au cœur de la provence au pied du mont

[saint didier vaucluse wikipedia](#) - Feb 08 2023

web saint didier sainte garde le beaucet le valsaint et le pèlerinage de saint gens on amazon com free shipping on qualifying offers saint didier sainte garde le

saint didier sainte garde le beaucet le valsaint decitre - Jun 12 2023

web saint didier sainte garde le beaucet le valsaint choisselet henri amazon fr livres

saint didier sainte garde le beaucet le valsaint - Nov 05 2022

web jul 31 2023 saint didier sainte garde le beaucet le valsaint 1 1 downloaded from uniport edu ng on july 31 2023 by

guest saint didier sainte garde le beaucet le

saint didier sainte garde le beaucet le valsaint by henri - Dec 06 2022

web saint didier sainte garde le beaucet le valsaint 1 2 saint didier sainte garde le beaucet le valsaint 2020 01 15 centre of a circle of like minded intellectuals from

saint didier sainte garde le beaucet le valsaint by henri - Sep 22 2021

saint didier sainte garde le beaucet le valsaint by henri - Oct 24 2021

web informationen villa sainte garde htels saint didier adresse saint didier vaucluse le beaucet venasque sur les chemins de la pierre sche association sainte garde

saint didier sainte garde le beaucet le valsaint et le - Jan 07 2023

web april 7th 2020 saint didier sainte garde le beaucet le valsaint et le pèlerinage de saint gens 1995 autour de ce lieu 4

ressources dans data bnf fr documents publiés à

ecole et collègue saint didier Établissement privé de - May 31 2022

web jan 1 2023 code officiel géographique date de référence 01 01 2023 le code officiel géographique de la commune de saint didier en velay est 43177 région auvergne

[les 10 meilleurs hôtels vieille ville de sultanahmet istanbul](#) - Feb 25 2022

web situé à 350 mètres de sainte sophie le sadaret hotel propose des chambres modernes dotées d une télévision à écran lcd et un service d étage 24h 24 dans

village provençal saint didier vaucluse mairie de saint didier - Jul 01 2022

web ecole et collègue saint didier Établissement privé de l enseignement catholique 01 39 90 07 54 accueil saintdidier95 fr le mot des chefs d établissement le s projet s

bagdat street istanbul ce qu il faut savoir pour votre - Dec 26 2021

web march 8th 2020 située à saint didier la villa sainte garde met à votre disposition une piscine extérieure et un service prêt

de vélos vous aurez accès au jardin et à la terrasse

saint didier sainte garde le beaucet le valsaint furet du nord - Mar 09 2023

web saint didier french pronunciation se didje provençal sant deidier is a commune in the vaucluse department in the provence alpes côte d azur region in southeastern france

saint didier sainte garde le beaucet le valsaint by henri - Nov 24 2021

web april 12th 2020 villa sainte garde 201 chemin de la challaysse saint didier frankreich die villa sainte garde in saint didier ist ein bed amp breakfast mit einem außenpool

saintdidiersaintegardelebeaucetlevalsaint awchickering - Sep 03 2022

web saint didier sainte garde le beaucet le valsaint by henri choisselet saint didier sainte garde le beaucet le valsaint by henri choisselet saint didier village du

saint didier sainte garde le beaucet le valsaint broché - May 11 2023

web il est une fois saint didier sainte garde le beaucet le valsaint et le pèlerinage de saint gens oup oxford calvet s web is a study of the correspondence network of an

saint didier sainte garde le beaucet le valsaint download - Apr 10 2023

web jan 1 1995 saint didier sainte garde le beaucet le valsaint de plongez vous dans le livre henri choisselet au format ajoutez le à votre liste de souhaits ou abonnez vous

grand beyazit hotel istanbul tarifs 2023 booking com - Mar 29 2022

web pruva hotel hôtel à istanbul vieille ville de sultanahmet options de petit déjeuner doté d un jardin d un salon commun et d une terrasse le pruva hotel se trouve dans le

sadaret hotel suites istanbul best group hotels booking com - Jan 27 2022

web visite exclusive de la ville d istanbul en minibus privé de luxe visites en bus à partir de 665 18 par groupe jusqu à 5 pers visite gastronomique d istanbul de nuit meyhane

saint didier sainte garde le beaucet le valsaint by henri - Aug 02 2022

web jun 14 2023 commune de saint didier saint didier petit village provençal du comtat venaissin dans le vaucluse offre une qualité de vie exceptionnelle construit le long du