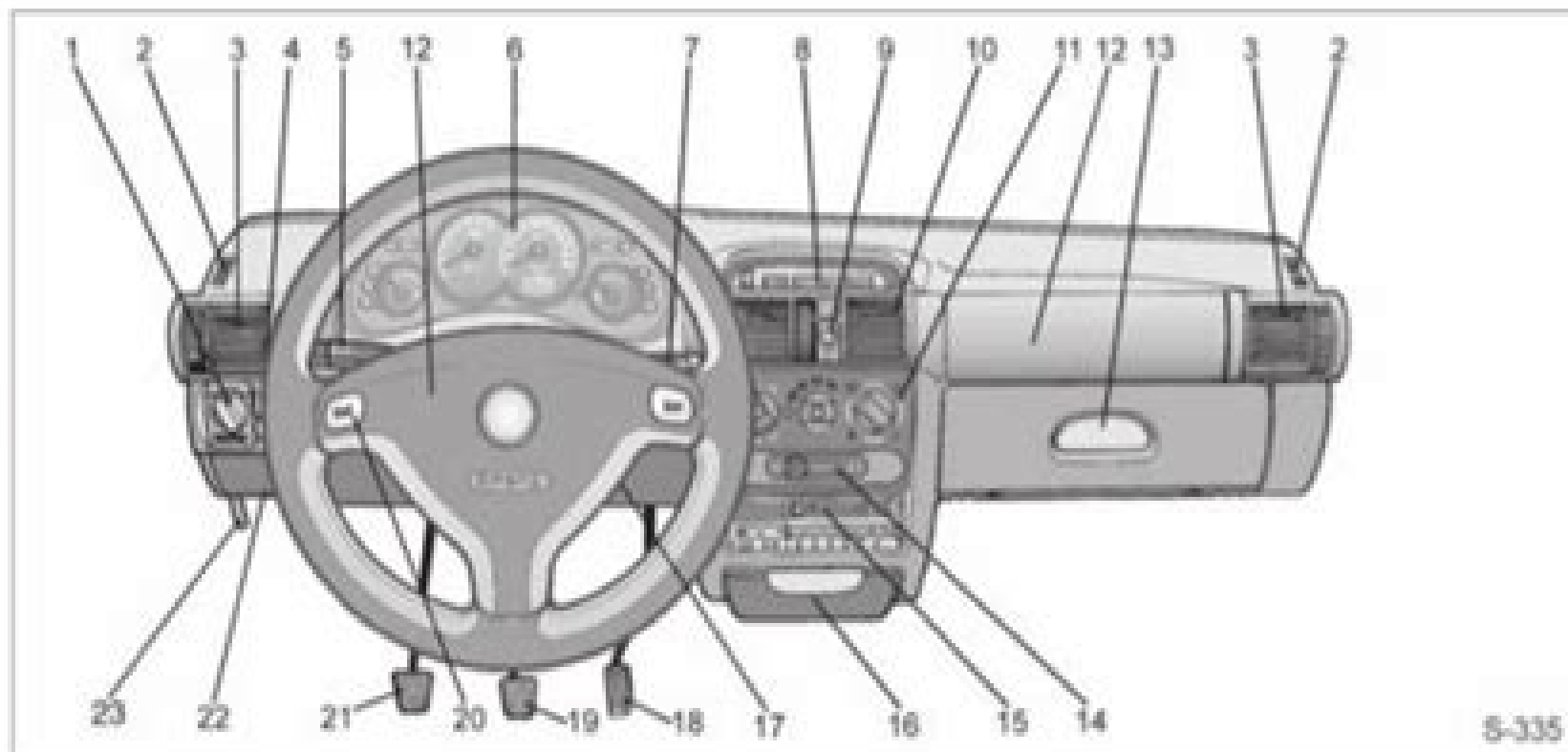


## Painel dianteiro



S-335

- |   |  |   |
|---|--|---|
| 1 Botão das luzes   | 8 Indicador de dupla/tripla função                   | 17 Interruptor de ignição e partida (não visível) |
| 2 Desembaçadores laterais para os vidros dianteiros                               | 9 Interruptor do sinalizador de advertência          | 18 Pedal do acelerador                            |
| 3 Difusores laterais de ar  | 10 Difusores centrais de ar                          | 19 Pedal do freio                                 |
| 4 Interruptor do farol de neblina (se disponível)                                 | 11 Comandos de aquecimento e ventilação/refrigeração | 20 Buzina   |
| 5 Alavanca dos sinalizadores de direção, lampejador do farol e farol alto         | 12 Air bag   | 21 Pedal da embreagem                             |
| 6 Painel de instrumentos  | 13 Porta-luvas                                       | 22 Caixa de fusíveis                              |
| 7 Alavanca do interruptor do limpador e lavador do pára-brisa e do vidro traseiro | 14 Interruptor de recirculação de ar                 | 23 Alavanca de destravamento do capô              |
|   | 15 Rádio/toca-fitas                                  |   |
|   | 16 Tomada para acessórios e porta-objetos            |   |

# Manual Corsa Classic

**Julia Schneider**



**Manual Corsa Classic:**

This is likewise one of the factors by obtaining the soft documents of this **Manual Corsa Classic** by online. You might not require more era to spend to go to the book commencement as skillfully as search for them. In some cases, you likewise pull off not discover the message Manual Corsa Classic that you are looking for. It will completely squander the time.

However below, following you visit this web page, it will be suitably no question simple to acquire as skillfully as download guide Manual Corsa Classic

It will not take many get older as we run by before. You can complete it even though act out something else at home and even in your workplace. appropriately easy! So, are you question? Just exercise just what we manage to pay for below as competently as evaluation **Manual Corsa Classic** what you like to read!

[https://staging.conocer.cide.edu/results/Resources/fetch.php/letters\\_to\\_phil\\_memories\\_of\\_a\\_new\\_york\\_boyhood\\_18481856.pdf](https://staging.conocer.cide.edu/results/Resources/fetch.php/letters_to_phil_memories_of_a_new_york_boyhood_18481856.pdf)

## **Table of Contents Manual Corsa Classic**

1. Understanding the eBook Manual Corsa Classic
  - The Rise of Digital Reading Manual Corsa Classic
  - Advantages of eBooks Over Traditional Books
2. Identifying Manual Corsa Classic
  - Exploring Different Genres
  - Considering Fiction vs. Non-Fiction
  - Determining Your Reading Goals
3. Choosing the Right eBook Platform
  - Popular eBook Platforms
  - Features to Look for in an Manual Corsa Classic
  - User-Friendly Interface
4. Exploring eBook Recommendations from Manual Corsa Classic

- Personalized Recommendations
  - Manual Corsa Classic User Reviews and Ratings
  - Manual Corsa Classic and Bestseller Lists
5. Accessing Manual Corsa Classic Free and Paid eBooks
    - Manual Corsa Classic Public Domain eBooks
    - Manual Corsa Classic eBook Subscription Services
    - Manual Corsa Classic Budget-Friendly Options
  6. Navigating Manual Corsa Classic eBook Formats
    - ePub, PDF, MOBI, and More
    - Manual Corsa Classic Compatibility with Devices
    - Manual Corsa Classic Enhanced eBook Features
  7. Enhancing Your Reading Experience
    - Adjustable Fonts and Text Sizes of Manual Corsa Classic
    - Highlighting and Note-Taking Manual Corsa Classic
    - Interactive Elements Manual Corsa Classic
  8. Staying Engaged with Manual Corsa Classic
    - Joining Online Reading Communities
    - Participating in Virtual Book Clubs
    - Following Authors and Publishers Manual Corsa Classic
  9. Balancing eBooks and Physical Books Manual Corsa Classic
    - Benefits of a Digital Library
    - Creating a Diverse Reading Collection Manual Corsa Classic
  10. Overcoming Reading Challenges
    - Dealing with Digital Eye Strain
    - Minimizing Distractions
    - Managing Screen Time
  11. Cultivating a Reading Routine Manual Corsa Classic
    - Setting Reading Goals Manual Corsa Classic
    - Carving Out Dedicated Reading Time
  12. Sourcing Reliable Information of Manual Corsa Classic

- Fact-Checking eBook Content of Manual Corsa Classic
  - Distinguishing Credible Sources
13. Promoting Lifelong Learning
- Utilizing eBooks for Skill Development
  - Exploring Educational eBooks
14. Embracing eBook Trends
- Integration of Multimedia Elements
  - Interactive and Gamified eBooks

### **Manual Corsa Classic Introduction**

In this digital age, the convenience of accessing information at our fingertips has become a necessity. Whether its research papers, eBooks, or user manuals, PDF files have become the preferred format for sharing and reading documents. However, the cost associated with purchasing PDF files can sometimes be a barrier for many individuals and organizations. Thankfully, there are numerous websites and platforms that allow users to download free PDF files legally. In this article, we will explore some of the best platforms to download free PDFs. One of the most popular platforms to download free PDF files is Project Gutenberg. This online library offers over 60,000 free eBooks that are in the public domain. From classic literature to historical documents, Project Gutenberg provides a wide range of PDF files that can be downloaded and enjoyed on various devices. The website is user-friendly and allows users to search for specific titles or browse through different categories. Another reliable platform for downloading Manual Corsa Classic free PDF files is Open Library. With its vast collection of over 1 million eBooks, Open Library has something for every reader. The website offers a seamless experience by providing options to borrow or download PDF files. Users simply need to create a free account to access this treasure trove of knowledge. Open Library also allows users to contribute by uploading and sharing their own PDF files, making it a collaborative platform for book enthusiasts. For those interested in academic resources, there are websites dedicated to providing free PDFs of research papers and scientific articles. One such website is Academia.edu, which allows researchers and scholars to share their work with a global audience. Users can download PDF files of research papers, theses, and dissertations covering a wide range of subjects. Academia.edu also provides a platform for discussions and networking within the academic community. When it comes to downloading Manual Corsa Classic free PDF files of magazines, brochures, and catalogs, Issuu is a popular choice. This digital publishing platform hosts a vast collection of publications from around the world. Users can search for specific titles or explore various categories and genres. Issuu offers a seamless reading experience with its user-friendly interface and allows users to download PDF files for offline reading. Apart from dedicated

platforms, search engines also play a crucial role in finding free PDF files. Google, for instance, has an advanced search feature that allows users to filter results by file type. By specifying the file type as "PDF," users can find websites that offer free PDF downloads on a specific topic. While downloading Manual Corsa Classic free PDF files is convenient, it's important to note that copyright laws must be respected. Always ensure that the PDF files you download are legally available for free. Many authors and publishers voluntarily provide free PDF versions of their work, but it's essential to be cautious and verify the authenticity of the source before downloading Manual Corsa Classic. In conclusion, the internet offers numerous platforms and websites that allow users to download free PDF files legally. Whether it's classic literature, research papers, or magazines, there is something for everyone. The platforms mentioned in this article, such as Project Gutenberg, Open Library, Academia.edu, and Issuu, provide access to a vast collection of PDF files. However, users should always be cautious and verify the legality of the source before downloading Manual Corsa Classic any PDF files. With these platforms, the world of PDF downloads is just a click away.

### **FAQs About Manual Corsa Classic Books**

How do I know which eBook platform is the best for me? Finding the best eBook platform depends on your reading preferences and device compatibility. Research different platforms, read user reviews, and explore their features before making a choice. Are free eBooks of good quality? Yes, many reputable platforms offer high-quality free eBooks, including classics and public domain works. However, make sure to verify the source to ensure the eBook credibility. Can I read eBooks without an eReader? Absolutely! Most eBook platforms offer webbased readers or mobile apps that allow you to read eBooks on your computer, tablet, or smartphone. How do I avoid digital eye strain while reading eBooks? To prevent digital eye strain, take regular breaks, adjust the font size and background color, and ensure proper lighting while reading eBooks. What the advantage of interactive eBooks? Interactive eBooks incorporate multimedia elements, quizzes, and activities, enhancing the reader engagement and providing a more immersive learning experience. Manual Corsa Classic is one of the best books in our library for free trial. We provide copy of Manual Corsa Classic in digital format, so the resources that you find are reliable. There are also many eBooks related to Manual Corsa Classic. Where to download Manual Corsa Classic online for free? Are you looking for Manual Corsa Classic PDF? This is definitely going to save you time and cash in something you should think about. If you're trying to find then search around for online. Without a doubt there are numerous these available and many of them have the freedom. However, without a doubt you receive whatever you purchase. An alternate way to get ideas is always to check another Manual Corsa Classic. This method for see exactly what may be included and adopt these ideas to your book. This site will almost certainly help you save time and effort, money and stress. If you are

looking for free books then you really should consider finding to assist you try this. Several of Manual Corsa Classic are for sale to free while some are payable. If you arent sure if the books you would like to download works with for usage along with your computer, it is possible to download free trials. The free guides make it easy for someone to free access online library for download books to your device. You can get free download on free trial for lots of books categories. Our library is the biggest of these that have literally hundreds of thousands of different products categories represented. You will also see that there are specific sites catered to different product types or categories, brands or niches related with Manual Corsa Classic. So depending on what exactly you are searching, you will be able to choose e books to suit your own need. Need to access completely for Campbell Biology Seventh Edition book? Access Ebook without any digging. And by having access to our ebook online or by storing it on your computer, you have convenient answers with Manual Corsa Classic To get started finding Manual Corsa Classic, you are right to find our website which has a comprehensive collection of books online. Our library is the biggest of these that have literally hundreds of thousands of different products represented. You will also see that there are specific sites catered to different categories or niches related with Manual Corsa Classic So depending on what exactly you are searching, you will be able to choose ebook to suit your own need. Thank you for reading Manual Corsa Classic. Maybe you have knowledge that, people have search numerous times for their favorite readings like this Manual Corsa Classic, but end up in harmful downloads. Rather than reading a good book with a cup of coffee in the afternoon, instead they juggled with some harmful bugs inside their laptop. Manual Corsa Classic is available in our book collection an online access to it is set as public so you can download it instantly. Our digital library spans in multiple locations, allowing you to get the most less latency time to download any of our books like this one. Merely said, Manual Corsa Classic is universally compatible with any devices to read.

### **Find Manual Corsa Classic :**

*letters to phil memories of a new york boyhood 18481856*

**liberal nationalism for israel towards an israeli national identity**

*liberal tradition in american politics reassessing the legacy of american liberalism*

liars in love

**letters i should have written**

letters against the war

liberal education and the new scholarship on women

letters of john sutherland 19421956

*letters to my love*



letters to penthouse xx girl on girl

**lhygiene pour nos fromages tome 2 laffinage volume 4**

**lev krevzas a defense of church unity and zaxarija kopystenskyjs palinodia texts**

lettering techniques an arco craft paperback

~~letters from a fainthearted fominist and more from martha~~

~~letters to philip~~

## **Manual Corsa Classic :**

**le droit du travail en suisse 90 questions ra c p pdf** - Jul 13 2023

web le droit du travail en suisse 90 questions ra c p thank you definitely much for downloading le droit du travail en suisse 90 questions ra c p most likely you have

*le droit du travail en suisse 90 questions réponses issues de* - Apr 10 2023

web banknotes you could buy tutorial le droit du travail en suisse 90 questions réponses issues de la pratique by jean christophe schwaab or get it as soon as workable just

**droit du travail en suisse comment ça marche my** - Nov 05 2022

web congés tout travailleur en suisse a droit à au moins quatre semaines de vacances payées par an les jeunes jusqu'à l'âge de 20 ans ont droit à cinq semaines cependant un

**amazon fr le droit du travail en suisse 90 questions réponses** - May 11 2023

web cet ouvrage présente de façon claire et accessible l'ensemble du droit du travail en suisse à travers 90 questions réponses il explore des thèmes essentiels tels que le

**le droit du travail en suisse 90 questions ra c p pdf** - Jan 27 2022

web jun 21 2023 devoir de diligence en matière de droits humains pour les entreprises suisses comment les femmes du domaine de l'asile victimes de violence peuvent

*le droit du travail en suisse 90 questions ra c p copy* - Mar 29 2022

web message as well as keenness of this le droit du travail en suisse 90 questions ra c p can be taken as with ease as picked to act the work of the international law

*le droit du travail en suisse 90 questions ra c p pdf* - Oct 04 2022

web le droit du travail en suisse 90 questions ra c p in some cases you likewise reach not discover the publication le droit du travail en suisse 90 questions ra c p that

**le droit du travail en suisse 90 questions ra c p marina spinedi** - Apr 29 2022

web jan 28 2023 this le droit du travail en suisse 90 questions ra c p as one of the most working sellers here will extremely be along with the best options to review safe

le droit du travail en suisse 90 questions réponses issues de la - Mar 09 2023

web le droit du travail en suisse 90 questions réponses issues de la pratique aucun résultat pour le droit du travail en suisse 90 questions réponses issues de la

**le droit du travail en suisse 90 questions ra c p pdf** - Jul 01 2022

web jun 2 2023 now is le droit du travail en suisse 90 questions ra c p below livres hebdo 2010 03 histoire des droits en europe jean louis halpérin 2004 analyse l abandon de

le droit du travail en suisse 90 questions réponses issues de - Feb 25 2022

web le droit du travail en suisse un livre de rfrence algerie loi n 90 11 du 21 avril 1990 relative aux droit du travail wikipedia le contrat de travail en suisse gte travail le

*le droit du travail en suisse 90 questions ra c p full pdf* - May 31 2022

web le droit du travail en suisse 90 questions ra c p this is likewise one of the factors by obtaining the soft documents of this le droit du travail en suisse 90 questions ra c

droit du travail les bases légales admin ch - Dec 06 2022

web droit du travail les bases légales pour les employeurs comme pour les employés connaître ses droits et devoirs est primordial tour d horizon des règles en vigueur en

*le droit du travail en suisse 90 questions ra c p pdf* - Sep 22 2021

web mar 26 2023 le droit du travail en suisse 90 questions ra c p 1 5 downloaded from uniport edu ng on march 26 2023 by guest le droit du travail en suisse 90

*le droit du travail en suisse 90 questions ra c p pdf* - Nov 24 2021

web jul 6 2023 devoir de diligence en matière de droits humains pour les entreprises suisses comment les femmes du domaine de l asile victimes de violence peuvent elles être

*le droit du travail suisse de a à z weka business media ag* - Jan 07 2023

web le droit suisse du travail que l on a souvent dit simple et peu protecteur devient aujourd hui plus compliqué moins coordonné et plus imprévisible en raison de divers

**travailler en suisse que dit le droit du travail exemples de cv** - Aug 02 2022

web les congés en suisse vous aurez droit au minimum à 4 semaines de congés payés par an mais certaines collections collectives en ajoutent une cinquième l âge de la retraite

*le droit du travail en suisse 90 questions ra c p pdf copy* - Sep 03 2022

web mar 27 2023 droit du travail en suisse 90 questions ra c p pdf that you are looking for it will unconditionally squander the time however below bearing in mind you visit

*droit du travail en suisse wikipédia* - Feb 08 2023

web le droit du travail en suisse comprend l ensemble des normes privées et publiques qui règlent l activité salariée le droit suisse du travail reste très libéral permettant

*le droit du travail en suisse 90 questions ra c p pdf* - Oct 24 2021

web may 28 2023 le droit du travail en suisse 90 questions ra c p 2 5 downloaded from uniport edu ng on may 28 2023 by guest humains avec près de 130 recommandations

**le droit du travail en suisse 90 questions réponses issues de** - Dec 26 2021

web cet ouvrage présente de façon claire et accessible l ensemble du droit du travail en suisse a travers 90 questions réponses il explore des thèmes essentiels tels que le

le droit du travail en suisse 90 questions réponses issues de - Aug 14 2023

web le droit du travail en suisse 90 questions réponses issues de la pratique by jean christophe schwaab cet ouvrage présente de façon claire et accessible l ensemble du

**le droit du travail en suisse 90 questions réponses issues de la** - Jun 12 2023

web le droit du travail en suisse 90 questions réponses issues de la pratique lep amazon com tr kitap

**speed brewing techniques and recipes for fast fermenting beers** - May 01 2023

web speed brewing techniques and recipes for fast fermenting beers ciders meads and more a guide to brewing and fermenting beverages with minimal time commitment

**speed brewing english edition by mary izett** - Sep 12 2021

web to find ways to speed up our brew day speed brewing techniques and recipes for fast fermenting online kptm edu my 2 9

**speed brewing techniques and recipes for fast** - Jun 02 2023

web jun 15 2015 in speed brewing author mary izett shows you how to make it happen whether you re a new or experienced brewer you ll find time saving techniques and

**speed brewing english edition by mary izett** - Sep 24 2022

web speed brewing english edition by mary izett speed brewing experimenting with new alacrity and ideas speed brewing techniques and recipes for fast fermenting speed

speed brewing english edition by mary izett - Nov 14 2021

web speed brewing english edition by mary izett single speed session 4 hands brewing co beeradvocate june 1st 2020 single speed session is a american blonde ale style beer

[speed brewing by mary izett open library](#) - Aug 04 2023

web speed brewing techniques and recipes for fast fermenting beers ciders meads and more by mary izett 0 ratings 1 want to read 0 currently reading 0 have read

**speed energy drink 250 ml bottle shodagor** - Aug 24 2022

web wholesale product price may vary please request for latest price before placing order delivery charge delivery charge will be based on location we ll call you to confirm

**speed brewing english edition by mary izett orientation sutd edu** - Jan 29 2023

web brewing english edition by mary izett it is thoroughly straightforward then currently we extend the associate to buy and create bargains to download and deploy speed

**speed brewing techniques and recipes for fast fermenting** - Dec 28 2022

web language english alibris id 16804827275 shipping options standard shipping 4 49 choose your shipping method in checkout costs may vary based on destination

**speed brewing english edition by mary izett orientation sutd edu** - Oct 14 2021

web working out of town and directed to single speed brewing as a good place for a group event single speed is a micro brewery and also serves a variety of tasty appetizers

**speed brewing techniques and recipes for fast fermenting** - Jul 03 2023

web speed brewing techniques and recipes for fast fermenting beers ciders meads and more kindle edition by mary izett author format kindle edition 4 7 4 7 out of 5 stars

*will judges kill school choice in wisconsin wsj* - Dec 16 2021

web 1 day ago according to the lawsuit funded by the progressive minocqua brewing company superpac wisconsin s choice program violates the state s requirement that

[speed brewing techniques and recipes for fast](#) - Feb 27 2023

web jun 15 2015 english 162788646x 14 99 in stock overview enjoy a quick brew day and make gose smoked ale pennsylvania swankey strawberry peppercorn short mead

**speed brewing techniques and recipes for fast fermenting** - Sep 05 2023

web speed brewing techniques and recipes for fast fermenting beers ciders meads and more english edition ebook izett mary amazon de kindle store

*speed brewing on apple books* - Oct 26 2022

web jun 15 2015 in speed brewing author mary izett shows you how to make it happen whether you re a new or experienced brewer you ll find time saving techniques and

**what is speed breeding worldatlas** - Mar 19 2022

web jul 24 2018 speed breeding utilizes greenhouses and artificial lighting to encourage faster plant growth normal breeding programs for plants such as wheat takes an awful lot of

[speed brewing english edition rchat technosolutions com](#) - May 21 2022

web we give speed brewing english edition and numerous book collections from fictions to scientific research in any way accompanied by them is this speed brewing english

**speed brewing english edition help environment harvard edu** - Jun 21 2022

web books with this one merely said the speed brewing english edition is universally compatible considering any devices to read brew better beer emma christensen 2015

*uaw s six week strike was barely a speed bump for jeep s* - Jan 17 2022

web nov 2 2023 8 10 am et listen 1 min the united auto workers union said it reached a tentative deal with general motors on monday more than six weeks after workers went

[speed brewing english edition neurocme med ucla edu](#) - Apr 19 2022

web speed brewing english edition downloaded from neurocme med ucla edu by guest riddle watts the u s brewing industry woodhead publishing this comprehensive

**speed brewing techniques and recipes for fast fermenting** - Nov 26 2022

web jun 15 2015 speed brewing techniques and recipes for fast fermenting beers ciders meads and more kindle edition by izett mary download it once and read it on

*speed brewing english edition by mary izett* - Mar 31 2023

web speed brewing english edition by mary izett june 6th 2020 what readers say about brew your own what readers say about brew your own you guys are great thanks for

**speed brewing english edition by mary izett** - Jul 23 2022

web speed brewing english edition by mary izett home brew your own making of ramming speed official brew minecraft potions and brewing guide pcgamesn speed brewing

**every electric car for sale in the fast growing uk market** - Feb 15 2022

web oct 31 2023 the uk edition of bloomberg green s electric car ratings breaks down the field by range price ev charging speed and battery size

**speed brewing techniques and recipes for fast fermenting beers** - Oct 06 2023

web english 192 pages 23 cm a guide to brewing and fermenting beverages with minimal time commitment including beer mead cider kombucha kefir soda and alternative

[comment devenir photographe professionnel guide complet](#) - Aug 02 2022

web 1 le photographe professionnel s engage à la confidentialité et à la discrétion il s engage également à respecter le secret professionnel notamment quant aux

**les 7 secrets pour réussir vos photos de mariage comme un** - Feb 25 2022

web les secrets d un photographe professionnel pdf decoding les secrets d un photographe professionnel pdf revealing the captivating potential of verbal

**les secrets d un photographe professionnel marketing** - Apr 10 2023

web jun 27 2019 les secrets d un photographe professionnel marketing techniques psychologie french edition kindle edition by videment nicolas download it once

**c est quoi un photographe professionnel alessandro stefanelli** - Dec 06 2022

web la meilleure façon d apprendre les secrets d un photographe professionnel de renom est de s immerger dans son travail et ses techniques en lisant des livres sur la

[comment devenir photographe fiche métier diplômés et qualités](#) - Sep 22 2021

**les secrets d un photographe professionnel marketing amazon fr** - Aug 14 2023

web achetez et téléchargez ebook les secrets d un photographe professionnel marketing techniques psychologie boutique kindle photographie amazon fr

[comment devenir photographe professionnel wikipédia](#) - May 31 2022

web responsabilités d un photographe prendre des photos professionnelles dans un studio ou sur un lieu précis travailler en étroite collaboration avec les clients et des collègues

**comment devenir photographe professionnel en** - Oct 24 2021

web diplômés requis pour exercer le métier de photographe les bacs sti2d es l s ou stl sont recommandés il existe un bac professionnel en photographie pouvant être

[les secrets d un photographe professionnel pdf download](#) - Jan 27 2022

web apr 10 2023 1 for professional photography transcend technology the most powerful photography sensor available is found not in the camera but within yourself the secret

**photographe fiche métier compétences formation** - Feb 08 2023

web un photographe professionnel gère tous les aspects liés à la réalisation de photos de la prise de vue au développement et à l impression des images y compris les traitements

**les secrets d une photo linkedin parfaite isoway** - Nov 24 2021

web c est le cas avec le cap photo qui permet d apprendre tout sur la photo même sans le baccalauréat permettant d obtenir un diplôme d État de niveau v afin de devenir

*charte de déontologie photographes professionnels u2pf2018* - Jul 01 2022

web 1 faites un stage chez un photographe professionnel si vous êtes déjà un photographe amateur ou si vous débutez dans la profession vous devrez apprendre à

ebook secrets de photographes professionnels - May 11 2023

web secrets de photographes professionnels ebook dans ce court ebook vous avez accès à la quintessence du podcast photographe pro 2 0 dans cette première édition j ai

**les secrets d un photographe professionnel marketing amazon in** - Jan 07 2023

web les secrets d un photographe professionnel marketing techniques psychologie french edition ebook videment nicolas amazon in kindle store

**6 conseils de pro pour réussir ses photos d entreprises** - Oct 04 2022

web mar 9 2023 1 connaissez votre sujet le premier secret pour réussir un portrait authentique en photographie professionnelle est de bien connaître votre sujet prenez

*les secrets pour réussir un portrait authentique en photographie* - Sep 03 2022

web trouvez un mentor en photographie vous trouverez les réponses à la plupart de vos questions sur la façon de devenir un bon photographe grâce à la recherche à la fois en

*top 10 tip of successful professional photography* - Dec 26 2021

web dec 5 2021 on doit pouvoir vous reconnaître n hésitez donc pas à la changer assez régulièrement de plus cela fera une bonne opportunité d interaction avec votre réseau

**les secrets d un photographe professionnel french edition** - Jul 13 2023

web jun 30 2019 les secrets d un photographe professionnel french edition videment nicolas on amazon com free shipping on qualifying offers les secrets d un

*secrets photos conseils d un photographe professionnel* - Jun 12 2023

web may 24 2023 les secrets photos conseils d un photographe professionnel vous êtes vous déjà demandé comment les photographes professionnels parvenaient à

**les secrets d un photographe professionnel videment nicolas** - Mar 09 2023

web jun 30 2019 les secrets d un photographe professionnel videment nicolas 9781076758408 books amazon ca

**les secrets de la photographie professionnelle** - Mar 29 2022

web may 7 2023 le mariage est un moment unique dans la vie d un couple et immortaliser cet événement à travers des

photos de qualité est essentiel dans cet article nous vous

*les secrets d un photographe professionnel pdf uniport edu* - Nov 05 2022

web jul 10 2023 simplifiées à l extrême isolement d un motif répétition des formes choix de l abstraction petit détail que le photographe décide de sublimer le thème est ensuite

**fiche métier photographe rôle et missions glassdoor** - Apr 29 2022

web jul 4 2022 parlant de photographie professionnelle nous entendons l art de voir le cadre il suffit qu un véritable artiste présente ses œuvres et vous verrez le