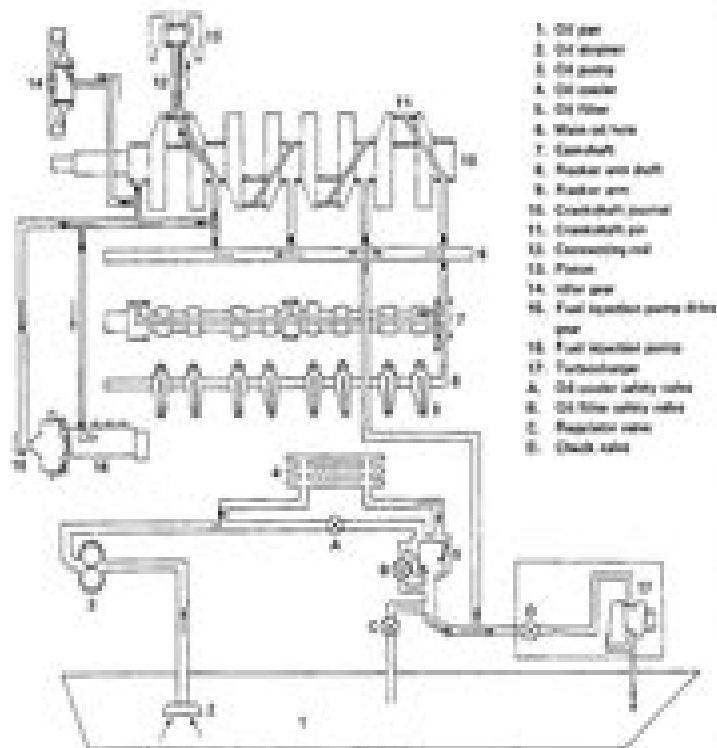


LUBRICATING SYSTEM

DATA AND SPECIFICATIONS

Oil pump	
Type	Full forced pressure feed by gear pump
Drive	By gear
Oil cooler	
Type	Multi-stage heat exchanger

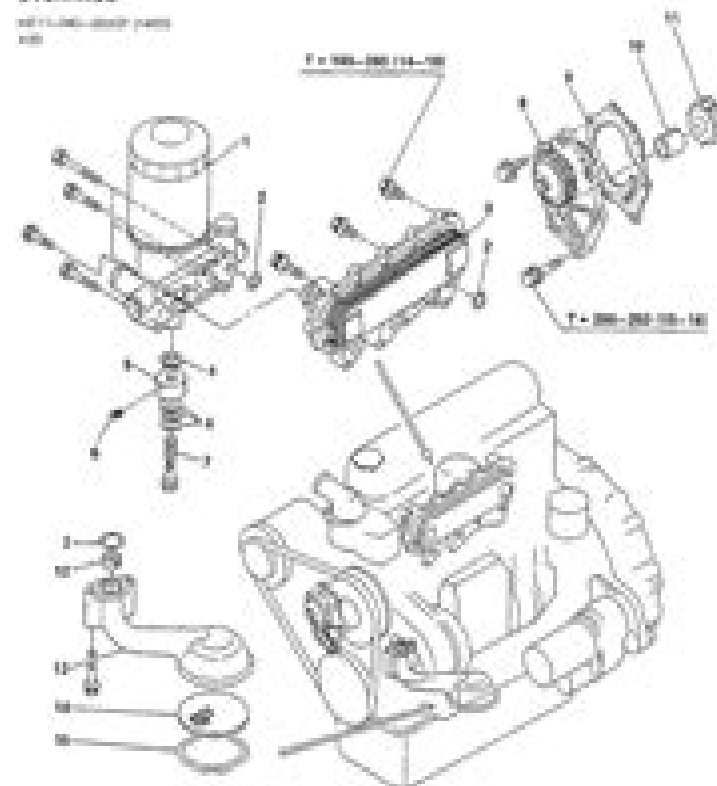
LUBRICATING SYSTEM DIAGRAM



1. Oil pump
2. Oil cooler
3. Oil pump
4. Oil cooler
5. Oil filter
6. Main oil line
7. Crankshaft
8. Piston and shaft
9. Piston pin
10. Crankshaft journal
11. Crankshaft pin
12. Connecting rod
13. Piston
14. Oil pan
15. Fuel injection pump drive line
16. Fuel injection pump
17. Turbocharger
18. Oil cooler safety valve
19. Oil filter safety valve
20. Reservoir valve
21. Check valve

OVERHAUL

OVERHAULING PROCEDURE
100



- | | | |
|-------------------|----------------------------|-------------------------|
| 1. Oil filter | 6. Plug | 11. Oil pump drive gear |
| 2. O-ring | 7. Connector bar | 12. O-ring gasket |
| 3. Oil cooler | 8. Oil pump cover assembly | 13. Oil cooler |
| 4. Soft washer | 9. Gasket | 14. Oil cooler cover |
| 5. Connector pipe | 10. Housing | 15. Snap ring |

① Tightening torque: kg/cm (kg/m)

Hino Marine Engine Manual

Clifford Lane



Hino Marine Engine Manual:

Hino Marine Engine Manual: Bestsellers in 2023 The year 2023 has witnessed a remarkable surge in literary brilliance, with numerous compelling novels captivating the hearts of readers worldwide. Lets delve into the realm of popular books, exploring the engaging narratives that have captivated audiences this year. Hino Marine Engine Manual : Colleen Hoover "It Ends with Us" This heartfelt tale of love, loss, and resilience has captivated readers with its raw and emotional exploration of domestic abuse. Hoover expertly weaves a story of hope and healing, reminding us that even in the darkest of times, the human spirit can prevail. Uncover the Best : Taylor Jenkins Reids "The Seven Husbands of Evelyn Hugo" This intriguing historical fiction novel unravels the life of Evelyn Hugo, a Hollywood icon who defies expectations and societal norms to pursue her dreams. Reids captivating storytelling and compelling characters transport readers to a bygone era, immersing them in a world of glamour, ambition, and self-discovery. Discover the Magic : Delia Owens "Where the Crawdads Sing" This mesmerizing coming-of-age story follows Kya Clark, a young woman who grows up alone in the marshes of North Carolina. Owens crafts a tale of resilience, survival, and the transformative power of nature, captivating readers with its evocative prose and mesmerizing setting. These popular novels represent just a fraction of the literary treasures that have emerged in 2023. Whether you seek tales of romance, adventure, or personal growth, the world of literature offers an abundance of captivating stories waiting to be discovered. The novel begins with Richard Papen, a bright but troubled young man, arriving at Hampden College. Richard is immediately drawn to the group of students who call themselves the Classics Club. The club is led by Henry Winter, a brilliant and charismatic young man. Henry is obsessed with Greek mythology and philosophy, and he quickly draws Richard into his world. The other members of the Classics Club are equally as fascinating. Bunny Corcoran is a wealthy and spoiled young man who is always looking for a good time. Charles Tavis is a quiet and reserved young man who is deeply in love with Henry. Camilla Macaulay is a beautiful and intelligent young woman who is drawn to the power and danger of the Classics Club. The students are all deeply in love with Morrow, and they are willing to do anything to please him. Morrow is a complex and mysterious figure, and he seems to be manipulating the students for his own purposes. As the students become more involved with Morrow, they begin to commit increasingly dangerous acts. The Secret History is a brilliant and thrilling novel that will keep you speculating until the very end. The novel is a cautionary tale about the dangers of obsession and the power of evil.

https://staging.conocer.cide.edu/About/virtual-library/default.aspx/holt_biology_directed_reading_introduction_to_body_structure.pdf

Table of Contents Hino Marine Engine Manual

1. Understanding the eBook Hino Marine Engine Manual
 - The Rise of Digital Reading Hino Marine Engine Manual
 - Advantages of eBooks Over Traditional Books
2. Identifying Hino Marine Engine Manual
 - Exploring Different Genres
 - Considering Fiction vs. Non-Fiction
 - Determining Your Reading Goals
3. Choosing the Right eBook Platform
 - Popular eBook Platforms
 - Features to Look for in an Hino Marine Engine Manual
 - User-Friendly Interface
4. Exploring eBook Recommendations from Hino Marine Engine Manual
 - Personalized Recommendations
 - Hino Marine Engine Manual User Reviews and Ratings
 - Hino Marine Engine Manual and Bestseller Lists
5. Accessing Hino Marine Engine Manual Free and Paid eBooks
 - Hino Marine Engine Manual Public Domain eBooks
 - Hino Marine Engine Manual eBook Subscription Services
 - Hino Marine Engine Manual Budget-Friendly Options
6. Navigating Hino Marine Engine Manual eBook Formats
 - ePub, PDF, MOBI, and More
 - Hino Marine Engine Manual Compatibility with Devices
 - Hino Marine Engine Manual Enhanced eBook Features
7. Enhancing Your Reading Experience
 - Adjustable Fonts and Text Sizes of Hino Marine Engine Manual
 - Highlighting and Note-Taking Hino Marine Engine Manual
 - Interactive Elements Hino Marine Engine Manual
8. Staying Engaged with Hino Marine Engine Manual

- Joining Online Reading Communities
 - Participating in Virtual Book Clubs
 - Following Authors and Publishers Hino Marine Engine Manual
9. Balancing eBooks and Physical Books Hino Marine Engine Manual
- Benefits of a Digital Library
 - Creating a Diverse Reading Collection Hino Marine Engine Manual
10. Overcoming Reading Challenges
- Dealing with Digital Eye Strain
 - Minimizing Distractions
 - Managing Screen Time
11. Cultivating a Reading Routine Hino Marine Engine Manual
- Setting Reading Goals Hino Marine Engine Manual
 - Carving Out Dedicated Reading Time
12. Sourcing Reliable Information of Hino Marine Engine Manual
- Fact-Checking eBook Content of Hino Marine Engine Manual
 - Distinguishing Credible Sources
13. Promoting Lifelong Learning
- Utilizing eBooks for Skill Development
 - Exploring Educational eBooks
14. Embracing eBook Trends
- Integration of Multimedia Elements
 - Interactive and Gamified eBooks

Hino Marine Engine Manual Introduction

Free PDF Books and Manuals for Download: Unlocking Knowledge at Your Fingertips In today's fast-paced digital age, obtaining valuable knowledge has become easier than ever. Thanks to the internet, a vast array of books and manuals are now available for free download in PDF format. Whether you are a student, professional, or simply an avid reader, this treasure trove of downloadable resources offers a wealth of information, conveniently accessible anytime, anywhere. The advent of online libraries and platforms dedicated to sharing knowledge has revolutionized the way we consume information. No longer confined to physical libraries or bookstores, readers can now access an extensive collection of digital books and

manuals with just a few clicks. These resources, available in PDF, Microsoft Word, and PowerPoint formats, cater to a wide range of interests, including literature, technology, science, history, and much more. One notable platform where you can explore and download free Hino Marine Engine Manual PDF books and manuals is the internet's largest free library. Hosted online, this catalog compiles a vast assortment of documents, making it a veritable goldmine of knowledge. With its easy-to-use website interface and customizable PDF generator, this platform offers a user-friendly experience, allowing individuals to effortlessly navigate and access the information they seek. The availability of free PDF books and manuals on this platform demonstrates its commitment to democratizing education and empowering individuals with the tools needed to succeed in their chosen fields. It allows anyone, regardless of their background or financial limitations, to expand their horizons and gain insights from experts in various disciplines. One of the most significant advantages of downloading PDF books and manuals lies in their portability. Unlike physical copies, digital books can be stored and carried on a single device, such as a tablet or smartphone, saving valuable space and weight. This convenience makes it possible for readers to have their entire library at their fingertips, whether they are commuting, traveling, or simply enjoying a lazy afternoon at home. Additionally, digital files are easily searchable, enabling readers to locate specific information within seconds. With a few keystrokes, users can search for keywords, topics, or phrases, making research and finding relevant information a breeze. This efficiency saves time and effort, streamlining the learning process and allowing individuals to focus on extracting the information they need. Furthermore, the availability of free PDF books and manuals fosters a culture of continuous learning. By removing financial barriers, more people can access educational resources and pursue lifelong learning, contributing to personal growth and professional development. This democratization of knowledge promotes intellectual curiosity and empowers individuals to become lifelong learners, promoting progress and innovation in various fields. It is worth noting that while accessing free Hino Marine Engine Manual PDF books and manuals is convenient and cost-effective, it is vital to respect copyright laws and intellectual property rights. Platforms offering free downloads often operate within legal boundaries, ensuring that the materials they provide are either in the public domain or authorized for distribution. By adhering to copyright laws, users can enjoy the benefits of free access to knowledge while supporting the authors and publishers who make these resources available. In conclusion, the availability of Hino Marine Engine Manual free PDF books and manuals for download has revolutionized the way we access and consume knowledge. With just a few clicks, individuals can explore a vast collection of resources across different disciplines, all free of charge. This accessibility empowers individuals to become lifelong learners, contributing to personal growth, professional development, and the advancement of society as a whole. So why not unlock a world of knowledge today? Start exploring the vast sea of free PDF books and manuals waiting to be discovered right at your fingertips.

FAQs About Hino Marine Engine Manual Books

How do I know which eBook platform is the best for me? Finding the best eBook platform depends on your reading preferences and device compatibility. Research different platforms, read user reviews, and explore their features before making a choice. Are free eBooks of good quality? Yes, many reputable platforms offer high-quality free eBooks, including classics and public domain works. However, make sure to verify the source to ensure the eBook credibility. Can I read eBooks without an eReader? Absolutely! Most eBook platforms offer webbased readers or mobile apps that allow you to read eBooks on your computer, tablet, or smartphone. How do I avoid digital eye strain while reading eBooks? To prevent digital eye strain, take regular breaks, adjust the font size and background color, and ensure proper lighting while reading eBooks. What the advantage of interactive eBooks? Interactive eBooks incorporate multimedia elements, quizzes, and activities, enhancing the reader engagement and providing a more immersive learning experience. Hino Marine Engine Manual is one of the best book in our library for free trial. We provide copy of Hino Marine Engine Manual in digital format, so the resources that you find are reliable. There are also many Ebooks of related with Hino Marine Engine Manual. Where to download Hino Marine Engine Manual online for free? Are you looking for Hino Marine Engine Manual PDF? This is definitely going to save you time and cash in something you should think about. If you trying to find then search around for online. Without a doubt there are numerous these available and many of them have the freedom. However without doubt you receive whatever you purchase. An alternate way to get ideas is always to check another Hino Marine Engine Manual. This method for see exactly what may be included and adopt these ideas to your book. This site will almost certainly help you save time and effort, money and stress. If you are looking for free books then you really should consider finding to assist you try this. Several of Hino Marine Engine Manual are for sale to free while some are payable. If you arent sure if the books you would like to download works with for usage along with your computer, it is possible to download free trials. The free guides make it easy for someone to free access online library for download books to your device. You can get free download on free trial for lots of books categories. Our library is the biggest of these that have literally hundreds of thousands of different products categories represented. You will also see that there are specific sites catered to different product types or categories, brands or niches related with Hino Marine Engine Manual. So depending on what exactly you are searching, you will be able to choose e books to suit your own need. Need to access completely for Campbell Biology Seventh Edition book? Access Ebook without any digging. And by having access to our ebook online or by storing it on your computer, you have convenient answers with Hino Marine Engine Manual To get started finding Hino Marine Engine Manual, you are right to find our website which has a comprehensive collection of books online. Our library is the biggest of these that have literally hundreds of thousands of different products represented. You will also see that there are specific sites catered to different categories or niches related with Hino Marine Engine Manual So depending on what exactly you are searching, you will be

able to choose ebook to suit your own need. Thank you for reading Hino Marine Engine Manual. Maybe you have knowledge that, people have search numerous times for their favorite readings like this Hino Marine Engine Manual, but end up in harmful downloads. Rather than reading a good book with a cup of coffee in the afternoon, instead they juggled with some harmful bugs inside their laptop. Hino Marine Engine Manual is available in our book collection an online access to it is set as public so you can download it instantly. Our digital library spans in multiple locations, allowing you to get the most less latency time to download any of our books like this one. Merely said, Hino Marine Engine Manual is universally compatible with any devices to read.

Find Hino Marine Engine Manual :

holt biology directed reading introduction to body structure

[holt american government chapter 1 answers](#)

holt biology answer directed the respiratory system

[holden viva 1 8 2015 workshop manual](#)

holiday inn standards manual

[holt algebra 2 answers the quadratic formula](#)

[holt biology reproduction and development vocabulary review](#)

hole human anatomy and physiology study guide

[holondaise sauce recipe](#)

holden vectra service manual

holt biology section directed answer key

holidays in hell english edition

holt chemistry study guide answer key

holley 4175 manual choke kit

[holden 2009 tk barina workshop manual](#)

Hino Marine Engine Manual :

sunny leone has no time to be blue the hans india - Aug 15 2023

web jun 20 2021 bollywood actress sunny leone looks pretty in blue in a series of new pictures she posted on saturday in the images uploaded on instagram sunny wears high waisted sky blue pants

[sunny leone has no time to be blue times of india](#) - Oct 17 2023

web jun 19 2021 bollywood actress sunny leone looks pretty in blue in a series of new pictures she posted on saturday in the images uploaded on instagram sunny wears high waisted sky blue pants paired with a matching crop top

[no filter needed for sunny leone s pics because maldives](#) - Apr 30 2022

web jun 7 2023 her caption read no filter needed for this morning we agree the clear blue water and greenery behind sunny leone make her photos perfect for postcards take a look

[sunny leone levels up her fashion game in a white crop top and blue](#) - Aug 03 2022

web sunny leone loves to treat her fans with her ultra hot pictures on instagram the actress knows how to look stunning in any outfit be it a traditional ensemble or western wear now she has added one more picture to herself on her

wwe news results photos video official site wwe - Apr 11 2023

web wwe superstars make a global community impact the official home of the latest wwe news results and events get breaking news photos and video of your favorite wwe

in pics all the never before seen pictures of sunny leone from - Jun 13 2023

web jul 26 2018 a zee5 original sunny leone s biopic titled karenjit kaur the untold story of sunny leone began streaming from july 16 onwards starring sunny who plays herself the biopic will be available in the form of 2 season each comprising 10 episodes each

wwe sunny leone blue pictures pdf pdf dedicatedtodio com - Jun 01 2022

web mar 14 2023 we allow wwe sunny leone blue pictures pdf and numerous book collections from fictions to scientific research in any way in the midst of them is this wwe sunny leone blue pictures pdf that can be your partner

wwe sunny leone blue pictures data northitalia com - Mar 30 2022

web wwe sunny leone blue pictures downloaded from data northitalia com by guest khan luis that winter grand central publishing faces of suicide volume 1 is a collection of stories from the heart written to show the world that they lived and their lives mattered some of the stories may inspire those who are reluctant travelers on this same road

sunny leone s pictures that prove she is a complete water baby - Mar 10 2023

web may 7 2021 sunny leone looks gorgeous as she is soaking in the sun in the pool the diva donned yellow swimwear and her retro sunnies added more charm to her overall look instagram

wwe sunny leone blue pictures copy jmsseniorliving - Feb 26 2022

web wwe sunny leone blue pictures 1 wwe sunny leone blue pictures wwe sunny leone blue pictures downloaded from jmsseniorliving com by guest carla dominguez

sunny too hot to handle wwe - Jul 14 2023

web grid view show caption show caption 0 0

sunny wwe - Jan 08 2023

web superstar stats sunny career highlights managed three teams to the world tag team championship aol s most downloaded woman of 1996 two time slammy award winner 2011 wwe hall of fame inductee sunny bio the opening line of sunny s theme song perfectly captured the gorgeous diva s specific mindset i know you want me

sunny leone s beautiful pics in blue gown leaves husband daniel msn - Feb 09 2023

web actor sunny leone dropped stunning pictures of herself on instagram today from the sets of her reality show mtv splitsvilla season 14 sunny posted the photos with a heart emoticon as the

sunny leone photos hot sexy pictures of sunny leone the - Dec 07 2022

web jun 16 2023 bollywood diva and former superstar of adult movie industry sunny leone aka karenjit kaur vohra who became an overnight sensation after she participated in bigg boss 5 never fails to tease

sunny leone sets the temperature soaring on instagram with her - Sep 04 2022

web apr 5 2020 taking to her instagram handle sunny shared a few pictures of herself where she is seen striking a pose in her blue bikini these pictures of the actress have surely set instagram on fire

sunny leone s sizzling instagram pictures times of india - Sep 16 2023

web sunny leone pics sunny leone raised temperatures with her stunning beach side pictures that she posted on instagram the actress looked stunning in a black bikini the black coloured cap and sunglasses added to the already sensuous look she posted this picture on instagram and wrote hanging poolside for mini vaca bangkok sic

see photo sunny leone looks electrifying in a blue bikini as she - May 12 2023

web feb 18 2021 see photo sunny leone looks electrifying in a blue bikini as she enjoys pool time updated on 18 february 2021 07 58 am ist mumbai mid day online correspondent top

sunny leone photos the hottie s most stylish looks ever times - Oct 05 2022

web feb 23 2019 sunny leone in classic black with a flawless complexion like that trust sunny to totally rock black colour whether it s a leather skirt or a cut out dress sunny aces the colour all the time

sunny leone in a blue silk power suit slays it in style - Nov 06 2022

web sunny looked every bit stunning in a blue silk blazer and a pair of matching silk formal trousers auckland dj event so much fun sunny captioned her photos

in pics sunny leone s cropped shirt teamed with blue skirt is a - Jul 02 2022

web may 10 2023 bollywood actress sunny leone who often makes her fans go crazy with her fashion sense recently dropped a series of pictures on her instagram handle in a cropped silk shirt teamed with a blue short pencil skirt the pictures

of the actress is going viral on social media

elder scrolls skyrim official strategy guide free - Oct 03 2023

web the skyrim game manual is the instruction manual included with the elder scrolls v skyrim the manual gives basic instructions to gameplay mechanics it can be

the elder scrolls v skyrim walkthroughs ign - May 18 2022

web technical guide on on site stormwater detention tank systems in the latest revision to the code of practice on surface water drainage pub added a new clause requiring

skyrim full item guide download - Oct 11 2021

the elder scrolls v skyrim game guide - Aug 21 2022

web jun 2 2023 ostim ng download ostim ng from this link nexusmods com skyrimspcialedition mods 61167 tab files ostim ng

steam community guide the basics modding skyrim se - May 30 2023

web nov 10 2011 for the elder scrolls v skyrim on the pc gamefaqs has 30 guides and walkthroughs

books the elder scrolls v skyrim prima official - Mar 28 2023

web jun 28 2023 by drake platinum the world skyrim is a great game maybe you ve done 50 runs on a console and are now on pc or you ve been modding but still want a

bethesda the elder scrolls v skyrim special edition pc manual - Apr 28 2023

web this guide teaches you how to start the elder scrolls v skyrim real not clickbait works 100 true not fake fr

manual pc the elder scrolls v skyrim - Feb 12 2022

web oct 24 2023 donation points system this mod is opted in to receive donation points the concept behind this project is to create a series of small modular lore friendly additions

steam community the elder scrolls v skyrim - Nov 23 2022

web the elder scrolls v skyrim legendary edition official game guide pdfdrive pdf free ebook download as pdf file pdf text file txt or read book online for free

the elder scrolls v skyrim guides and faqs gamefaqs - Dec 25 2022

web jun 2 2020 this guide contains a thorough walkthrough for all the main and side quests in the elder scrolls v skyrim and detailed maps of all available locations last update 02

an abstract skyrim riften at skyrim special edition nexus - Sep 09 2021

[how to install mods for skyrim on pc complete](#) - Jan 26 2023

web the elder scrolls v skyrim game guide is the official game guide for the elder scrolls v skyrim it is designed to help people complete all of the game for a price of about 27 00

the elder scrolls v skyrim game guide gamepressure com - Jul 20 2022

web 8 votes more about this manual we understand that it s nice to have a paper manual for your pc the elder scrolls v skyrim you can always download the manual from our

[the updated ostim ng installation guide at skyrim special](#) - Mar 16 2022

web the skyrim full item guide is just what it says it is this is a searchable pdf with every item available in bethesda s expansive role playing game all items have codes and are

[skyrim se 2023 essential modding guide steam community](#) - Oct 23 2022

web nov 10 2011 release date trailers news reviews guides gameplay and more for the elder scrolls v skyrim

[skyrim game manual the unofficial elder scrolls pages uesp](#) - Sep 02 2023

web jun 21 2022 the basics modding skyrim se properly in 2023 all versions by vlad 254 this guide covers good modding practices for skyrim se ae on pc in 2023 these

[requiem at skyrim special edition nexus nexus mods](#) - Jan 14 2022

web sep 2 2017 the elder scrolls v skyrim manual windows publication date 2011 topics the elder scrolls v skyrim collection manuals contributions manuals

[the elder scrolls v skyrim legendary edition official game](#) - Jun 18 2022

web oct 22 2023 skyrim special edition close games videogame asset my games when logged in you can choose up to 12 games that will be displayed as favourites in this

pub code of practice guidelines - Dec 13 2021

web the elder scrolls v skyrim prima official game guide hodgson david s j free download borrow and streaming internet archive

[the elder scrolls v skyrim prima official game guide](#) - Jul 08 2021

[the elder scrolls v skyrim official game guide](#) - Feb 24 2023

web the elder scrolls v skyrim official skyrim strategy guide with over 1600 pages download derek34r 11 years ago 1 download here

the elder scrolls v skyrim guide ign - Jun 30 2023

web jun 26 2022 english 1117 pages 28 cm a guide to the elder scrolls v skyrim video game that includes walkthroughs

strategies statistics and customization options for

the elder scrolls v skyrim manual windows free download - Aug 09 2021

how to download skyrim mods on pc robots net - Apr 16 2022

web oct 30 2023 icc has released a guide on disability inclusion in international arbitration and adr produced by the icc commission on arbitration and adr the ground

complete guide to skyrim items quests mods builds and tips - Aug 01 2023

web view the manual for the bethesda the elder scrolls v skyrim special edition pc here for free this manual comes under the category games and has been rated by 5 people

[official skyrim strategy guide with over 1600 pages download](#) - Sep 21 2022

web sep 30 2023 in this guide we ll take you through the step by step process of downloading and installing skyrim mods on pc so you can start enjoying the endless

icc releases guide for disability inclusion in international - Nov 11 2021

celsa practice test sample question besttup - Nov 25 2021

web celsa practice test pdf test get a practice test with 50 questions for the esl supplemental 154 free and interactive everything you need to know to pass the

combined english language skills assessment celsa rio - Jul 02 2022

web sample test questions celsa english language skills assessment pre test practice for celsa bc in al directions to students read the following

celsa placement glendale community college gccaz edu - Mar 30 2022

web collegeboard allows students to practice using a test prep web based app to access this app enter your email address press create a password decide next generation

celsa practice test sample question peatix - Dec 27 2021

web jun 21 2019 determine which department of education approved ability to benefit test is required at schools being considered locate atb study materials online take a

quia celsa practice copy copy - Jun 13 2023

you are allowed one re test in english reading or by math level after a 24 hour waiting period one additional retest is permitted no sooner see more

celsa testing - Mar 10 2023

web celsa english as a second language placement test for individuals with english as a second language esl the celsa exam determines an english language level the

esl testing estrella mountain community college - May 12 2023

web sample celsa placement test for english speakers of other languages esol the following questions are similar to the questions you will be asked to answer when

study resources glendale community college gccaz edu - Jan 08 2023

web assesses and places high school college and adult esl students quickly and accurately into beginning to advanced classes approved by the u s department of education as

quia celsa practice copy copy english as a second - Oct 05 2022

web celsa practice these questions are in the same multiple choice format as your test choose the best answer this activity was created by a quia web subscriber

celsa paradise valley community college - Nov 06 2022

web visit celsa online examples to practice selecting the correct answer on a computer gcc also has a celsa sample test of questions to help students prepare for the content of

sample celsa placement test mt san jacinto college - Sep 23 2021

web our free teas practice tests updated in 2020 will help you prepare for your upcoming exam so you can get into your chosen nursing program our sample teas test prep

placement testing information booklet study guide - Aug 03 2022

web celsa practice copy copy here have of practice questions for aforementioned celsa test don t worry about getting some wrong there belong some difficult

sample esl placement test san diego mesa college - Jul 14 2023

when you go to take the test 1 you must have a current valid and recognizable state or federal issued photo id 2 you must also have a student id number for information about see more

quia celsa practice - Dec 07 2022

web collegeboard allows students to practice using a test prep web based app to zutritt on app enter your email address and generate adenine password choose next

study resources glendale community college esl - Jun 01 2022

web nov 7 2016 celsa esol sample questions 10 answers to accuplacer sample questions 12 answers to celsa esol sample questions 12 placement

mission college english as a second language pdf scribd - Sep 04 2022

web need celsa placement testing the combined english language skills assessment celsa is for students who wish to enroll in an english as a second language esl

wonderlic atb verbal and math practice test jamaica ny - Apr 30 2022

web the combination english language skills assessment celsa is a placement test that helps ensure you get the most from an english as a second language esl class you

the celsa test esl for atb actt ability to benefit and - Apr 11 2023

web celsa practice copy copy here are some practice questions for the celsa test don t worry about getting some wrong there are some difficult questions just like the

celsa practice test pdf herelup - Jan 28 2022

web aug 25 2023 testing environment students are under video and audio surveillance the entire time all testing rooms are monitored by a camera system celsa celsa is a

study resources glendale community college esl testing - Feb 09 2023

web combined english language skills assessment published by actt the celsa is inexpensive and easy to administer it consists of 75 multiple choice questions and takes

celsa paris wikipedia - Oct 25 2021

web celsa practice test sample questions both the english department and the reading department offer english as a second language courses which include the following

combined english language skills assessment - Aug 15 2023

you may need to take the celsa test if english is not your first language and one or more of the following statements are true 1 you came to the united states and entered american high school during or after the ninth grade 2 in your high school classes the teacher taught you in your native see more

how to pass the ability to benefit test the classroom - Feb 26 2022

web test policies you must have a current valid and recognizable state or federal issued photo id celsa general information celsa is a computerized test consisting of 75 multiple