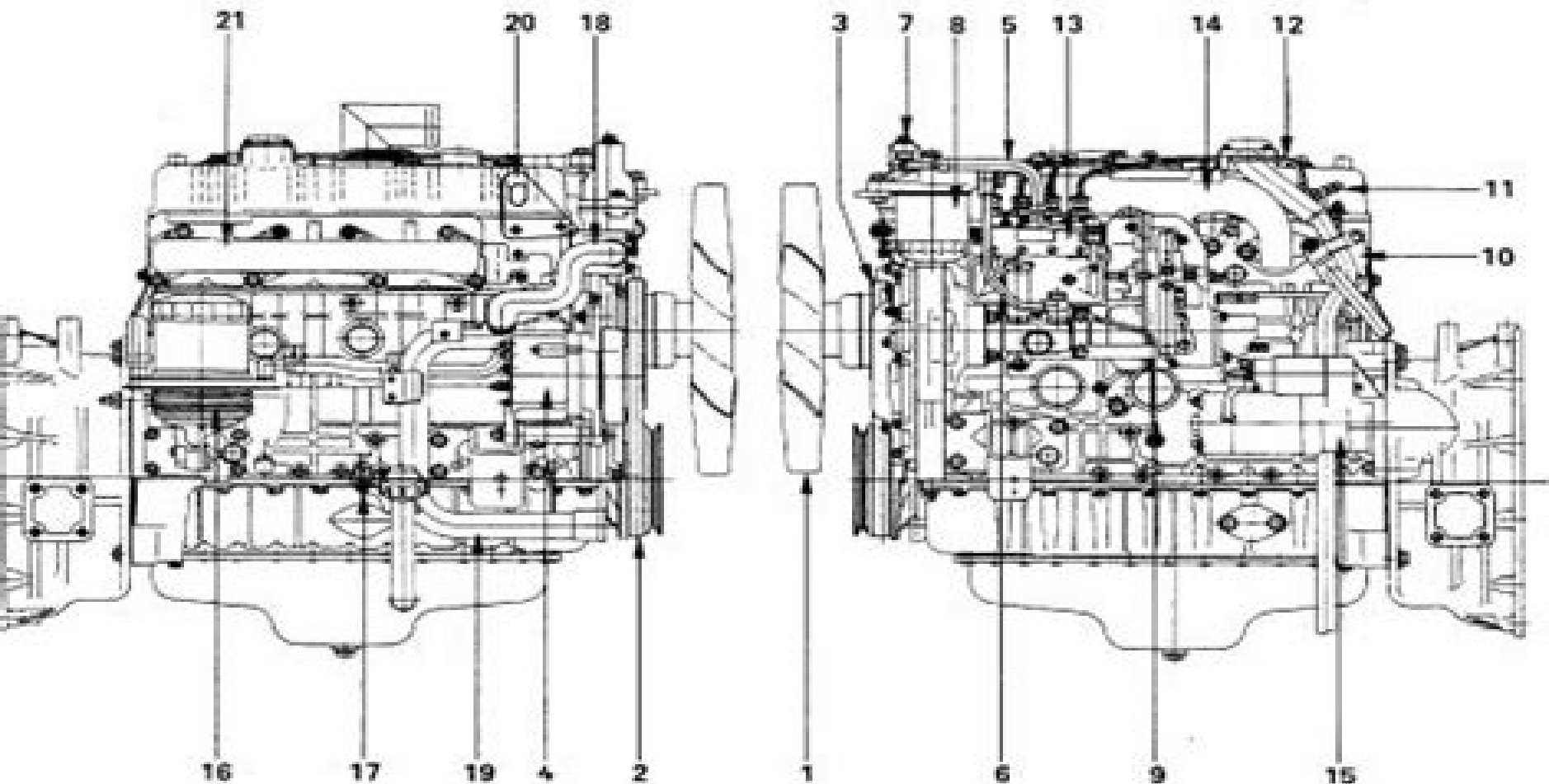


SERVICE MANUAL

4JB1 ISUZU

ENGINES



Isuzu 4jb1 T Service Manual

Lingsheng Yao



Isuzu 4jb1 T Service Manual:

As recognized, adventure as well as experience nearly lesson, amusement, as capably as deal can be gotten by just checking out a books **Isuzu 4jb1 T Service Manual** moreover it is not directly done, you could tolerate even more concerning this life, regarding the world.

We meet the expense of you this proper as capably as simple mannerism to acquire those all. We come up with the money for Isuzu 4jb1 T Service Manual and numerous book collections from fictions to scientific research in any way. among them is this Isuzu 4jb1 T Service Manual that can be your partner.

https://staging.conocer.cide.edu/book/uploaded-files/Documents/In_White_America.pdf

Table of Contents Isuzu 4jb1 T Service Manual

1. Understanding the eBook Isuzu 4jb1 T Service Manual
 - The Rise of Digital Reading Isuzu 4jb1 T Service Manual
 - Advantages of eBooks Over Traditional Books
2. Identifying Isuzu 4jb1 T Service Manual
 - Exploring Different Genres
 - Considering Fiction vs. Non-Fiction
 - Determining Your Reading Goals
3. Choosing the Right eBook Platform
 - Popular eBook Platforms
 - Features to Look for in an Isuzu 4jb1 T Service Manual
 - User-Friendly Interface
4. Exploring eBook Recommendations from Isuzu 4jb1 T Service Manual
 - Personalized Recommendations
 - Isuzu 4jb1 T Service Manual User Reviews and Ratings
 - Isuzu 4jb1 T Service Manual and Bestseller Lists
5. Accessing Isuzu 4jb1 T Service Manual Free and Paid eBooks

- Isuzu 4jb1 T Service Manual Public Domain eBooks
 - Isuzu 4jb1 T Service Manual eBook Subscription Services
 - Isuzu 4jb1 T Service Manual Budget-Friendly Options
6. Navigating Isuzu 4jb1 T Service Manual eBook Formats
 - ePub, PDF, MOBI, and More
 - Isuzu 4jb1 T Service Manual Compatibility with Devices
 - Isuzu 4jb1 T Service Manual Enhanced eBook Features
 7. Enhancing Your Reading Experience
 - Adjustable Fonts and Text Sizes of Isuzu 4jb1 T Service Manual
 - Highlighting and Note-Taking Isuzu 4jb1 T Service Manual
 - Interactive Elements Isuzu 4jb1 T Service Manual
 8. Staying Engaged with Isuzu 4jb1 T Service Manual
 - Joining Online Reading Communities
 - Participating in Virtual Book Clubs
 - Following Authors and Publishers Isuzu 4jb1 T Service Manual
 9. Balancing eBooks and Physical Books Isuzu 4jb1 T Service Manual
 - Benefits of a Digital Library
 - Creating a Diverse Reading Collection Isuzu 4jb1 T Service Manual
 10. Overcoming Reading Challenges
 - Dealing with Digital Eye Strain
 - Minimizing Distractions
 - Managing Screen Time
 11. Cultivating a Reading Routine Isuzu 4jb1 T Service Manual
 - Setting Reading Goals Isuzu 4jb1 T Service Manual
 - Carving Out Dedicated Reading Time
 12. Sourcing Reliable Information of Isuzu 4jb1 T Service Manual
 - Fact-Checking eBook Content of Isuzu 4jb1 T Service Manual
 - Distinguishing Credible Sources
 13. Promoting Lifelong Learning
 - Utilizing eBooks for Skill Development

- Exploring Educational eBooks
14. Embracing eBook Trends
- Integration of Multimedia Elements
 - Interactive and Gamified eBooks

Isuzu 4jb1 T Service Manual Introduction

In the digital age, access to information has become easier than ever before. The ability to download Isuzu 4jb1 T Service Manual has revolutionized the way we consume written content. Whether you are a student looking for course material, an avid reader searching for your next favorite book, or a professional seeking research papers, the option to download Isuzu 4jb1 T Service Manual has opened up a world of possibilities. Downloading Isuzu 4jb1 T Service Manual provides numerous advantages over physical copies of books and documents. Firstly, it is incredibly convenient. Gone are the days of carrying around heavy textbooks or bulky folders filled with papers. With the click of a button, you can gain immediate access to valuable resources on any device. This convenience allows for efficient studying, researching, and reading on the go. Moreover, the cost-effective nature of downloading Isuzu 4jb1 T Service Manual has democratized knowledge. Traditional books and academic journals can be expensive, making it difficult for individuals with limited financial resources to access information. By offering free PDF downloads, publishers and authors are enabling a wider audience to benefit from their work. This inclusivity promotes equal opportunities for learning and personal growth. There are numerous websites and platforms where individuals can download Isuzu 4jb1 T Service Manual. These websites range from academic databases offering research papers and journals to online libraries with an expansive collection of books from various genres. Many authors and publishers also upload their work to specific websites, granting readers access to their content without any charge. These platforms not only provide access to existing literature but also serve as an excellent platform for undiscovered authors to share their work with the world. However, it is essential to be cautious while downloading Isuzu 4jb1 T Service Manual. Some websites may offer pirated or illegally obtained copies of copyrighted material. Engaging in such activities not only violates copyright laws but also undermines the efforts of authors, publishers, and researchers. To ensure ethical downloading, it is advisable to utilize reputable websites that prioritize the legal distribution of content. When downloading Isuzu 4jb1 T Service Manual, users should also consider the potential security risks associated with online platforms. Malicious actors may exploit vulnerabilities in unprotected websites to distribute malware or steal personal information. To protect themselves, individuals should ensure their devices have reliable antivirus software installed and validate the legitimacy of the websites they are downloading from. In conclusion, the ability to download Isuzu 4jb1 T Service Manual has transformed the way we access information. With the convenience, cost-effectiveness, and accessibility it offers,

free PDF downloads have become a popular choice for students, researchers, and book lovers worldwide. However, it is crucial to engage in ethical downloading practices and prioritize personal security when utilizing online platforms. By doing so, individuals can make the most of the vast array of free PDF resources available and embark on a journey of continuous learning and intellectual growth.

FAQs About Isuzu 4jb1 T Service Manual Books

1. Where can I buy Isuzu 4jb1 T Service Manual books? Bookstores: Physical bookstores like Barnes & Noble, Waterstones, and independent local stores. Online Retailers: Amazon, Book Depository, and various online bookstores offer a wide range of books in physical and digital formats.
2. What are the different book formats available? Hardcover: Sturdy and durable, usually more expensive. Paperback: Cheaper, lighter, and more portable than hardcovers. E-books: Digital books available for e-readers like Kindle or software like Apple Books, Kindle, and Google Play Books.
3. How do I choose a Isuzu 4jb1 T Service Manual book to read? Genres: Consider the genre you enjoy (fiction, non-fiction, mystery, sci-fi, etc.). Recommendations: Ask friends, join book clubs, or explore online reviews and recommendations. Author: If you like a particular author, you might enjoy more of their work.
4. How do I take care of Isuzu 4jb1 T Service Manual books? Storage: Keep them away from direct sunlight and in a dry environment. Handling: Avoid folding pages, use bookmarks, and handle them with clean hands. Cleaning: Gently dust the covers and pages occasionally.
5. Can I borrow books without buying them? Public Libraries: Local libraries offer a wide range of books for borrowing. Book Swaps: Community book exchanges or online platforms where people exchange books.
6. How can I track my reading progress or manage my book collection? Book Tracking Apps: Goodreads, LibraryThing, and Book Catalogue are popular apps for tracking your reading progress and managing book collections. Spreadsheets: You can create your own spreadsheet to track books read, ratings, and other details.
7. What are Isuzu 4jb1 T Service Manual audiobooks, and where can I find them? Audiobooks: Audio recordings of books, perfect for listening while commuting or multitasking. Platforms: Audible, LibriVox, and Google Play Books offer a wide selection of audiobooks.
8. How do I support authors or the book industry? Buy Books: Purchase books from authors or independent bookstores. Reviews: Leave reviews on platforms like Goodreads or Amazon. Promotion: Share your favorite books on social media

or recommend them to friends.

9. Are there book clubs or reading communities I can join? Local Clubs: Check for local book clubs in libraries or community centers. Online Communities: Platforms like Goodreads have virtual book clubs and discussion groups.
10. Can I read Isuzu 4jb1 T Service Manual books for free? Public Domain Books: Many classic books are available for free as they're in the public domain. Free E-books: Some websites offer free e-books legally, like Project Gutenberg or Open Library.

Find Isuzu 4jb1 T Service Manual :

in white america

inconstant savage

income without taxes an insiders guide to investing in tax exempt bonds

incorporate now 4th edition the national corporation kit the legal selfhelp series

in vivo neuromethods

individualnaia zhaloba v kontekste evropeiskoi konventsii o zashchite prav cheloveka i osnovnykh svobod 1950 g

index to the contemporary scene

individuality the war on conformatism the message

indigo days

indoeuropean numerals

~~increasing healthy life span conventional measures and slowing the innate aging process~~

[inchon to wonsan](#)

index to vols

income statements with how to read a financial report 5th edition set

independence light aircraft carriers

Isuzu 4jb1 T Service Manual :

sheet music aladdin piano vocal and guitar free scores com - Feb 06 2023

web 19 99 songs from the motion picture soundtrack composed by alan menken piano vocal guitar songbook movies disney

softcover published by hal leonard

aladdin piano vocal and guitar musicroom com - May 09 2023

web the soundtrack to this new 2019 live action disney film adapted from the original animated movie features new lyrics by benj pasek and justin paul our songbook features 8 songs arabian nights friend like me one jump ahead one jump ahead reprise one jump ahead reprise 2 prince ali speechless full a whole new world

speechless from disney s aladdin by naomi scott piano vocal guitar - Oct 02 2022

web arrangement piano vocal guitar chords right hand melody publisher hal leonard product id 415417 instruments piano keyboard voice download and print speechless from disney s aladdin sheet music for piano vocal guitar chords right hand melody by naomi scott from sheet music direct

aladdin piano vocal and guitar dots music camden - Feb 23 2022

web sale 13 95 gbp 11 95 gbp matching folio to disney s animated film featuring songs from alan menken howard ashman and tim rice seven songs in all including one jump ahead prince ali friend like me a whole new world and more a whole new world arabian nights friend like me one jump ahead one jump ahead reprise prince ali

speechless from aladdin 2019 sheet music in f minor - Apr 08 2023

web voice range f 3 e5 piano guitar scoring piano vocal guitar original published key f minor product type musicnotes product mn0197318 tempo half time feel metronome q 124 styles movie tv soundtrack

hal leonard aladdin piano vocal guitar songbook - Jun 29 2022

web get the guaranteed best price on various artist piano vocal guitar like the hal leonard aladdin piano vocal guitar songbook at musician s friend get a low price and free shipping on thousands of

aladdin by book only sheet music for piano vocal and guitar - Mar 07 2023

web shop and buy aladdin sheet music piano vocal and guitar sheet music book by hal leonard at sheet music plus bt hld00312480

aladdin advanced piano medley with sheet music youtube - May 29 2022

web finally here is my advanced piano medley for aladdin sheet music musicnotes com l xrnspsynthesia tutorial patreon com posts 303754

aladdin songs from the 2019 motion picture soundtrack piano vocal - Sep 13 2023

web buy the official hal leonard piano vocal guitar songbook aladdin songs from the 2019 motion picture soundtrack sheet music this series includes official hal leonard sheet music for the following songs available in softcover and digital book

aladdin by alan menken piano vocal guitar sheet music - Jul 11 2023

web songs from the 2019 motion picture soundtrack composed by alan menken piano vocal guitar songbook disney movies softcover 64 pages published by hal leonard hl 298948 isbn 9781540059963 upc 888680955472 9 0x12 0x0 225 inches music by alan menken

aladdin sheet music downloads piano guitar choir and more - Aug 12 2023

web download sheet music from disney s aladdin 27 years after the original movie hit the big screen disney has released a live action remake of the all time classic aladdin download and play official sheet music for the most popular aladdin songs from the original movie the broadway musical and the new movie including a whole new world speechless

prince ali from disney s aladdin will smith piano vocal guitar - Nov 03 2022

web official score of prince ali from disney s aladdin by official scores arranged for piano vocals mixed trio

sheet music aladdin piano vocal and guitar free scores com - Dec 04 2022

web 19 99 by howard ashman alan menken tim rice piano vocal chords songbook arrangements for piano and voice with guitar chords size 9x12 inches 64 pages published by hal leonard

aladdin vocal selections piano vocal guitar amazon - Apr 27 2022

web aladdin vocal selections piano vocal guitar menken alan ashman howard rice tim amazon sg books

aladdin piano sheet music notes download printable pdf score - Mar 27 2022

web friend like me from aladdin arr carolyn miller by alan menken educational piano children page s 3 7 99 download or print aladdin piano sheet music notes printable pdf score and learn to play in minutes simply print aladdin piano sheet music for

aladdin piano vocal guitar songbook tom lee music - Jun 10 2023

web arabian nights 2019 from aladdin friend like me from aladdin one jump ahead from aladdin one jump ahead reprise 2 from aladdin one jump ahead reprise from walt disney s aladdin prince ali from aladdin speechless from aladdin a whole new world from aladdin

aladdin piano vocal and guitar chords 9780793517824 - Jan 05 2023

web piano vocal guitar songbook matching folio to disney s animated film featuring songs from alan menken howard ashman and tim rice 7 songs in all including one jump ahead prince ali friend like me a whole new world and more

aladdin piano vocal and guitar chords amazon com - Sep 01 2022

web dec 1 1992 piano vocal guitar songbook matching folio to disney s animated film featuring songs from alan menken howard ashman and tim rice 7 songs in all including one jump ahead prince ali friend like me a whole new world and more

aladdin piano vocal guitar songbook hal leonard online - Oct 14 2023

web aladdin piano vocal guitar songbook series piano vocal guitar songbook composers alan menken tim rice howard ashman matching folio to disney s animated film featuring songs from alan menken howard ashman and tim rice 7 songs in all including one jump ahead prince ali friend like me a whole new world and more

aladdin broadway musical piano vocal selections piano vocal - Jul 31 2022

web nov 20 2019 [bada lund pahli bar tight chut me gaya to chut fhat gai](#) - Dec 31 2021

web aug 29 2018 [pahli bar jab bade lund se is mard ne choda to iski chut me lund nahi ghus raha tha fir iski chut ko slow slow choda gaya jab chut achi tarah se khul gai aur lund bhai ne gand me lund diya archive org](#) - Jun 17 2023

web feb 20 2018 [bhai ne gand me lund diya topics antarvasna antarvasnamp3 hindi hindi sex stories bahan ki chudai sex incest bhai bahan lund](#) - Mar 14 2023

web mar 27 2018 [lund bada karne ke liye purush ko yaniki mard ladke ko apne lund ki dekhbal karne ki jarurat hai male ka lund ko purush ka ling aisa bolte mere bete ka mota lund aur meri gaand update 15](#) - Aug 19 2023

web may 28 2023 [mai mere dil ko tatolne lagi to mujhe sapne me dekha rakesh ka bada lund aur us lund ke sath kiye sare maze yaad ane lage idhar ankush ne mere chuttad par chut me land](#) - Jul 18 2023

web aug 12 2021 [chut me land daal diya girl crying bf bhabhi ka doodh bur mein land devar ne](#)

bade lund ke photos indian black aur gore lambe penis ke pics - Feb 01 2022

web nov 26 2022 [29 11 2021 mahndi lage hath se pakad ke lund chusa pati ka bengali bhabhi ne dekhe lund chus ke tatte chatne ke 10 blowjob photos hyderabadi nri girl ke ling lamba mota bada lund khada karne ke gharelu upay tarike](#) - Feb 13 2023

web may 25 2016 [ling lamba mota bada lund khada karne ke gharelu upay tarike ayurvedic gharelu nuskhe in hindi gharelu nuskhe in hindi 77 3k subscribers 1m views 7 years bada lund desi search xvideos com](#) - Jun 05 2022

web 3 061 [bada lund desi free videos found on xvideos for this search language your location usa straight search premium join for free login meri chut ki halat free download borrow and streaming](#) - May 16 2023

web apr 6 2018 [beti ne baap se chut chudai story scanner internet archive html5 uploader 1 6 3 plus circle add review comment reviews there are no reviews yet be the first](#) - Sep 08 2022

web 15 [2016](#)

ling mota lamba aur - Apr 15 2023

web jun 23 2018 apni biwi ka doodh or chut ka pani pi sakta hnu reply pappu on november 6 2019 10 51 pm haan bhai piyo aur sabko pilao reply abhi thakur on june 13 2021

ling mota lamba aur - Oct 09 2022

web nov 10 2022 lund mota karne ki dawa mota aur bada karne ke tareeke jinse savdhaan rehna chahiye in hindi

tareekh e hindustan reading section - Mar 09 2023

web read reviews from the world s largest community for readers this book was originally published prior to 1923 and represents a reproduction of an importan

today islamic date in turkey 2023 today hijri date - Jan 27 2022

tarikh e hindustan vol 1 urdu rai sahib munshi ghulam singh - Aug 14 2023

web jul 29 2023 collection kashmirresearchinstitute additional collections collection at kashmir research institute srinagar tarikh e hindustan vol 1 urdu rai sahib munshi ghulam singh and sons addeddate 2023 07 29 16 25 33 identifier bubs tarikh e history of india episode 1 hindustan ki tareekh - Feb 08 2023

web nov 3 2014 tarikh e farishta by muhammad qasim farishta topics besturdubooks wordpress com collection booksbylanguage urdu

tarikh i hindustan zaka ullah muhammad 1832 1910 archive org - Oct 24 2021

2023 hindu calendar for houston texas united states - Nov 24 2021

tareekh e hindustan jlid 1 pdfbooksfree pk archive org - Jul 13 2023

web jul 18 2023 tarikh i hindustan 06 urdu edition zaka ullah muhammad on amazon com free shipping on qualifying offers tarikh i hindustan 06 urdu edition

tarikh i hindustan 1915 edition open library - Apr 10 2023

web tarikh i hindustan by muhammad zaka ullah 1915 matba institute edition in urdu

islamic date today in india 2023 hijri islamic date calendar - Sep 03 2022

web aug 27 2023 tarikh hindustan urdu 1 1 downloaded from uniport edu ng on august 27 2023 by guest tarikh hindustan urdu getting the books tarikh hindustan urdu now is

tarikh i hindustan volume 02 urdu edition goodreads - Nov 05 2022

web islamic calendar contains islamic month s names in urdu and islamic month names in english islamic calendar can also be downloaded in pdf format urdupoint provides you

[islamic calendar 2023 hijri calendar urdupoint](#) - Jul 01 2022

web oct 18 2016 hindistan Ülke tatilleri yılbaşı 1 ocak thai pongal tamil hasat festivali 13 ocak cumhuriyet bayramı 26 ocak losar 9 Şubat

tarikh i hindustan by muhammad zaka ullah open library - Jan 07 2023

web sep 13 2023 at urdupoint you can check the chand ki tarikh today that is updated as per the decision of moon sighting by the government of india what is the islamic date

hindistan resmi tatilleri - Feb 25 2022

web tarikh i hindustan by zaka ullah muhammad 1832 1910 publication date 1915 topics muslims publisher aligarh matba institute

[tarikh hindustan urdu pdf support ortax org](#) - May 31 2022

web sep 07 2023 23 safar 1445 today islamic date in turkey is 23 safar 1445 islamic date is also called hijri date or today arabic date in the muslim world that follows moon

[tarikh hindustan urdu uniport edu ng](#) - Apr 29 2022

web date meaning in urdu date meaning in english to urdu is تاریخ as written in urdu and tareekh as written in roman urdu there are many synonyms of date which include

[tarikh i hindustan 06 urdu edition amazon com](#) - May 11 2023

web dec 6 2015 tareekh e hindustan complete by maulvi mohammad zakaullah this urdu pdf book is available to download in free pdf book form a request to members

[tareekh e hindustan by molvi muhammad zakaullah](#) - Dec 06 2022

web india office library 1900 searching for solace m a sherif 1994 this is the first detailed account of the life and ideas of abdullah yusuf ali whose the holy qur an text

tarikh e farishta muhammad qasim farishta free download - Oct 04 2022

web tarikh hindustan urdu pdf upload suny u boyle 2 6 downloaded from support ortax org on september 3 2023 by suny u boyle india and central asia 2020 the bābur nāma in

[tarikh hindustan urdu secure4 khronos](#) - Mar 29 2022

web this is hindu calendar which lists most hindu festivals and fasting days in year 2023 for houston texas united states hindu festivals calendar is also known as hindu vrat

tarikh i hindustan zaka ullah muhammad 1832 - Jun 12 2023

web tarikh i hindustan by muhammad zaka ullah 1915 matba institute edition in urdu

tarikh hindustan urdu ministry of education youth and sports - Aug 02 2022

web jun 5 2023 this tarikh hindustan urdu as one of the bulk operating sellers here will thoroughly be associated with by the best choices to review its for that purpose

date meaning in urdu tareekh □□□□ *english to urdu dictionary* - Dec 26 2021