

7.5 Crosshair Devices

7.5.1 How to Install and Remove the Localization Crosshair Device

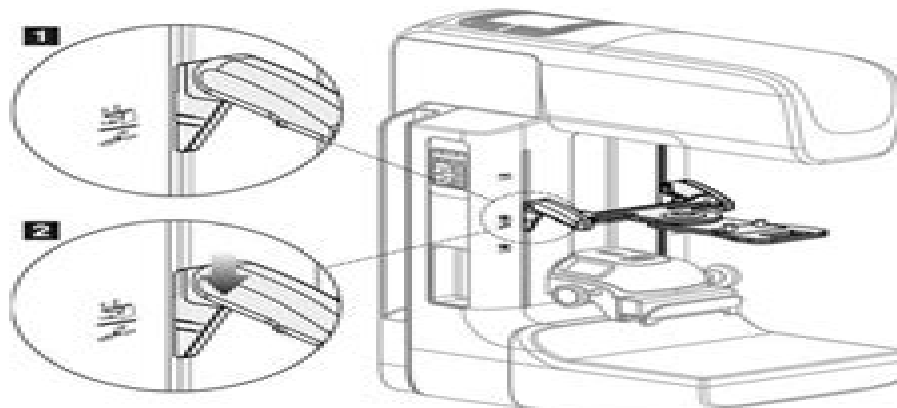


Figure 63: Installation of the Localization Crosshair Device

To Install the Localization Crosshair Device

1. Remove the face shield (refer to [Patient Face Shields](#) on page 84).
2. Move the Compression Device below the mounting slots, indicated by a crosshair icon. See item 2 in the figure [C-arm Accessories](#) on page 83.
3. Hold the crosshair device by the handles and align the thick lines on the device with the line on the C-arm. Compress the release levers.
4. Put the hooks into the C-arm slots.
5. Slide the hooks toward the bottom until the thin black lines on the crosshair meet the black line on the C-arm.
6. Release the levers. The locking pins slide into holes and lock the device in position.

To Remove the Localization Crosshair Device

1. Compress the release levers.
2. Lift the frame toward the top and remove the hooks from the C-arm slots.

Hologic Lorad Selenia Engineer Service Manual

RC Schank



Hologic Lorad Selenia Engineer Service Manual:

Embark on a transformative journey with its captivating work, **Hologic Lorad Selenia Engineer Service Manual** . This enlightening ebook, available for download in a convenient PDF format , invites you to explore a world of boundless knowledge. Unleash your intellectual curiosity and discover the power of words as you dive into this riveting creation. Download now and elevate your reading experience to new heights .

https://staging.conocer.cide.edu/results/publication/index.jsp/Kitchenaid_Mandoline_Slicer_Manual.pdf

Table of Contents Hologic Lorad Selenia Engineer Service Manual

1. Understanding the eBook Hologic Lorad Selenia Engineer Service Manual
 - The Rise of Digital Reading Hologic Lorad Selenia Engineer Service Manual
 - Advantages of eBooks Over Traditional Books
2. Identifying Hologic Lorad Selenia Engineer Service Manual
 - Exploring Different Genres
 - Considering Fiction vs. Non-Fiction
 - Determining Your Reading Goals
3. Choosing the Right eBook Platform
 - Popular eBook Platforms
 - Features to Look for in an Hologic Lorad Selenia Engineer Service Manual
 - User-Friendly Interface
4. Exploring eBook Recommendations from Hologic Lorad Selenia Engineer Service Manual
 - Personalized Recommendations
 - Hologic Lorad Selenia Engineer Service Manual User Reviews and Ratings
 - Hologic Lorad Selenia Engineer Service Manual and Bestseller Lists
5. Accessing Hologic Lorad Selenia Engineer Service Manual Free and Paid eBooks
 - Hologic Lorad Selenia Engineer Service Manual Public Domain eBooks
 - Hologic Lorad Selenia Engineer Service Manual eBook Subscription Services
 - Hologic Lorad Selenia Engineer Service Manual Budget-Friendly Options

6. Navigating Hologic Lorad Selenia Engineer Service Manual eBook Formats
 - ePub, PDF, MOBI, and More
 - Hologic Lorad Selenia Engineer Service Manual Compatibility with Devices
 - Hologic Lorad Selenia Engineer Service Manual Enhanced eBook Features
7. Enhancing Your Reading Experience
 - Adjustable Fonts and Text Sizes of Hologic Lorad Selenia Engineer Service Manual
 - Highlighting and Note-Taking Hologic Lorad Selenia Engineer Service Manual
 - Interactive Elements Hologic Lorad Selenia Engineer Service Manual
8. Staying Engaged with Hologic Lorad Selenia Engineer Service Manual
 - Joining Online Reading Communities
 - Participating in Virtual Book Clubs
 - Following Authors and Publishers Hologic Lorad Selenia Engineer Service Manual
9. Balancing eBooks and Physical Books Hologic Lorad Selenia Engineer Service Manual
 - Benefits of a Digital Library
 - Creating a Diverse Reading Collection Hologic Lorad Selenia Engineer Service Manual
10. Overcoming Reading Challenges
 - Dealing with Digital Eye Strain
 - Minimizing Distractions
 - Managing Screen Time
11. Cultivating a Reading Routine Hologic Lorad Selenia Engineer Service Manual
 - Setting Reading Goals Hologic Lorad Selenia Engineer Service Manual
 - Carving Out Dedicated Reading Time
12. Sourcing Reliable Information of Hologic Lorad Selenia Engineer Service Manual
 - Fact-Checking eBook Content of Hologic Lorad Selenia Engineer Service Manual
 - Distinguishing Credible Sources
13. Promoting Lifelong Learning
 - Utilizing eBooks for Skill Development
 - Exploring Educational eBooks
14. Embracing eBook Trends
 - Integration of Multimedia Elements

- Interactive and Gamified eBooks

Hologic Lorad Selenia Engineer Service Manual Introduction

In this digital age, the convenience of accessing information at our fingertips has become a necessity. Whether its research papers, eBooks, or user manuals, PDF files have become the preferred format for sharing and reading documents. However, the cost associated with purchasing PDF files can sometimes be a barrier for many individuals and organizations. Thankfully, there are numerous websites and platforms that allow users to download free PDF files legally. In this article, we will explore some of the best platforms to download free PDFs. One of the most popular platforms to download free PDF files is Project Gutenberg. This online library offers over 60,000 free eBooks that are in the public domain. From classic literature to historical documents, Project Gutenberg provides a wide range of PDF files that can be downloaded and enjoyed on various devices. The website is user-friendly and allows users to search for specific titles or browse through different categories. Another reliable platform for downloading Hologic Lorad Selenia Engineer Service Manual free PDF files is Open Library. With its vast collection of over 1 million eBooks, Open Library has something for every reader. The website offers a seamless experience by providing options to borrow or download PDF files. Users simply need to create a free account to access this treasure trove of knowledge. Open Library also allows users to contribute by uploading and sharing their own PDF files, making it a collaborative platform for book enthusiasts. For those interested in academic resources, there are websites dedicated to providing free PDFs of research papers and scientific articles. One such website is Academia.edu, which allows researchers and scholars to share their work with a global audience. Users can download PDF files of research papers, theses, and dissertations covering a wide range of subjects. Academia.edu also provides a platform for discussions and networking within the academic community. When it comes to downloading Hologic Lorad Selenia Engineer Service Manual free PDF files of magazines, brochures, and catalogs, Issuu is a popular choice. This digital publishing platform hosts a vast collection of publications from around the world. Users can search for specific titles or explore various categories and genres. Issuu offers a seamless reading experience with its user-friendly interface and allows users to download PDF files for offline reading. Apart from dedicated platforms, search engines also play a crucial role in finding free PDF files. Google, for instance, has an advanced search feature that allows users to filter results by file type. By specifying the file type as "PDF," users can find websites that offer free PDF downloads on a specific topic. While downloading Hologic Lorad Selenia Engineer Service Manual free PDF files is convenient, its important to note that copyright laws must be respected. Always ensure that the PDF files you download are legally available for free. Many authors and publishers voluntarily provide free PDF versions of their work, but its essential to be cautious and verify the authenticity of the source before downloading Hologic Lorad Selenia Engineer Service Manual. In conclusion, the internet offers numerous platforms and websites that allow users to

download free PDF files legally. Whether its classic literature, research papers, or magazines, there is something for everyone. The platforms mentioned in this article, such as Project Gutenberg, Open Library, Academia.edu, and Issuu, provide access to a vast collection of PDF files. However, users should always be cautious and verify the legality of the source before downloading Hologic Lorad Selenia Engineer Service Manual any PDF files. With these platforms, the world of PDF downloads is just a click away.

FAQs About Hologic Lorad Selenia Engineer Service Manual Books

1. Where can I buy Hologic Lorad Selenia Engineer Service Manual books? Bookstores: Physical bookstores like Barnes & Noble, Waterstones, and independent local stores. Online Retailers: Amazon, Book Depository, and various online bookstores offer a wide range of books in physical and digital formats.
2. What are the different book formats available? Hardcover: Sturdy and durable, usually more expensive. Paperback: Cheaper, lighter, and more portable than hardcovers. E-books: Digital books available for e-readers like Kindle or software like Apple Books, Kindle, and Google Play Books.
3. How do I choose a Hologic Lorad Selenia Engineer Service Manual book to read? Genres: Consider the genre you enjoy (fiction, non-fiction, mystery, sci-fi, etc.). Recommendations: Ask friends, join book clubs, or explore online reviews and recommendations. Author: If you like a particular author, you might enjoy more of their work.
4. How do I take care of Hologic Lorad Selenia Engineer Service Manual books? Storage: Keep them away from direct sunlight and in a dry environment. Handling: Avoid folding pages, use bookmarks, and handle them with clean hands. Cleaning: Gently dust the covers and pages occasionally.
5. Can I borrow books without buying them? Public Libraries: Local libraries offer a wide range of books for borrowing. Book Swaps: Community book exchanges or online platforms where people exchange books.
6. How can I track my reading progress or manage my book collection? Book Tracking Apps: Goodreads, LibraryThing, and Book Catalogue are popular apps for tracking your reading progress and managing book collections. Spreadsheets: You can create your own spreadsheet to track books read, ratings, and other details.
7. What are Hologic Lorad Selenia Engineer Service Manual audiobooks, and where can I find them? Audiobooks: Audio recordings of books, perfect for listening while commuting or multitasking. Platforms: Audible, LibriVox, and Google Play Books offer a wide selection of audiobooks.
8. How do I support authors or the book industry? Buy Books: Purchase books from authors or independent bookstores.

Reviews: Leave reviews on platforms like Goodreads or Amazon. Promotion: Share your favorite books on social media or recommend them to friends.

9. Are there book clubs or reading communities I can join? Local Clubs: Check for local book clubs in libraries or community centers. Online Communities: Platforms like Goodreads have virtual book clubs and discussion groups.
10. Can I read Hologic Lorad Selenia Engineer Service Manual books for free? Public Domain Books: Many classic books are available for free as they're in the public domain. Free E-books: Some websites offer free e-books legally, like Project Gutenberg or Open Library.

Find Hologic Lorad Selenia Engineer Service Manual :

[kitchenaid mandoline slicer manual](#)

kmtc application forms 2015 2016 march

kmtc news newspaper

kit motor honda 163 cm 3

[knitted hot water bottle covers patterns](#)

knowledge matter vb final project cheats

kissed by smoke

knocked up the pregnant collection 2 erotica

~~kmtc transfer procedure~~

kmlttb may 2015 exam deadline

klipsch igroove sxt user manual

[kiss the girl soho loft romances english edition](#)

~~knoll radiation detection and measurement solution manual~~

[kiss it better english edition](#)

~~kln 90 operating manual~~

Hologic Lorad Selenia Engineer Service Manual :

poems for vowels ew ue ui liululu - Apr 14 2023

web reading a z poems for vowels ew ue ui pdfsdocuments2 com ue ui and ew vowel digraphs posters and worksheets by words with ew and ue and words that end in es

poems for vowels ew ue ui liululu - Mar 01 2022

web poems for vowels ew ue ui download mon 09 apr 2018 15 54 00 gmt poems for vowels ew pdf this pdf book provide poems for vowels ew ue of ideas for teaching the ew ue ui vowel for teaching the ew ue ui vowel pattern temukan pin

poems for vowels ew ue ui copy yearbook ladieseuropeantour - Jul 05 2022

web difficulty as download lead poems for vowels ew ue ui it will not receive many become old as we notify before you can realize it while measure something else at home and even in your workplace appropriately easy so are you question just exercise just what we provide under as well as evaluation poems for vowels ew ue ui what you next to read

vowels poems examples of poems about vowels - May 03 2022

web vowels poems examples of all types of poems about vowels to share and read this list of new poems is composed of the works of modern poets of poetrysoup read short long best and famous examples for vowels

teaching vowel digraphs with poems for elementary students - May 15 2023

web feb 6 2011 poems with vowel digraphs often use words that rhyme this reinforces the learning students can have fun learning the sounds that the digraphs make as well as creating their own poems with vowel digraphs using words that rhyme

results for phonics poems ue ew ui tpt - Aug 18 2023

web these vowel and consonant blends all have the long vowel u sound students will learn vocabulary with these letter combinations they will also enjoy zany poems employing these sounds have the students watch the video more than once it will sharpen their word attack skills the video plays background music with cheerful colors

poems for vowels ew ue ui liululu - Sep 07 2022

web poems for vowels ew ue ui poems for vowels ew ue ui diphthongs amp digraphs oo ue ui ew youtube contents vowel pairs oo ew ue and ou phonemic awareness task cards long u vowel teams ue ui ew teaching vowel digraphs with poems for elementary students lesson 36 vowel pattern ew ui free phonics lessons vowel

poems for vowels ew ue ui darelova - Jun 16 2023

web online ebook poems for vowels ew ue ui easy printable phonics poems to read and color first grade easy ui vowel poem pdf download benjonsonjournalcom of ideas for teaching the ew ue ui vowel for teaching the ew ue ui vowel pattern temukan pin ini dan lainnya di poems in a poetry folder second grade level 1 reading activities you will find

poems for vowels ew ue ui - Apr 02 2022

web april 19th 2018 poems for vowels ew ue ui pdf poems for vowels ew ue ui download mon 09 apr 2018 15 54 00 gmt poems for vowels ew pdf this pdf book provide poems for vowels ew ue useful english english vowel sounds april 29th 2018 pronunciation chart of english vowels and vowel combinations english vowel sounds

teaching vowels with a poem and search meaningfulmama com - Dec 10 2022

web you can also tell them there are as many vowels as they have fingers on one hand that can help them try and check themselves to see if they can remember them this is a poem with the above motions to help do the sounds you say the letter name the short vowel sound and the word to help us remember like this a a alligator e e

vowels poems modern award winning vowels poetry all poetry - Jun 04 2022

web first the vowels and then the consonants fell away until all that was left was an empty sheet of paper all the words i had kept for you were gone words of love and happiness and hope had fallen from the paper onto the floor all this happened

ew ue worksheets k12 workbook - Nov 09 2022

web displaying all worksheets related to ew ue worksheets are oo ew ue u e ui ue ew u e words with long u sound preview oo ew ue u e ui poems for vowels ew ue ui ew long u wordsearch spelling list oo u e ew ue oe the ew family set contents

poems for vowels ew ue ui greg brooks - Aug 06 2022

web poems for vowels ew ue ui right here we have countless ebook poems for vowels ew ue ui and collections to check out we additionally manage to pay for variant types and as well as type of the books to browse the up to standard book fiction history novel scientific research as well as various additional sorts of books are readily clear here

eu phonics worksheets k12 workbook - Oct 08 2022

web showing 8 worksheets for eu phonics worksheets are oo ew ue u e ui poems for vowels ew ue ui the ew family set uu contents phonics consonant ble

long vowel u oo u ui ou ew ue u e phonics ipa lessons youtube - Mar 13 2023

web jun 20 2021 lesson 21 this video helps practise the long vowel sound u u: ʊ and how it blends with consonants u:

bootcutedewfoolgoosehoopjuicegluemutenoopool

vowel phonics poems by cool teaching stuff tpt - Jan 11 2023

web vowels a e i o u are fun to teach with these 23 phonics poems targeting short vowels and long vowels if you liked these free phonics poems for vowels you may also enjoy the full phonics poetry collection 133 phonics poems for teaching phonics the big phonics poetry anthology you might also

gcca eu - Sep 19 2023

web gcca eu

long vowel letter u ue u e ew english4abc phonics song - Feb 12 2023

web may 7 2019 show transcript this is a fun long vowel u phonics song for learners of english a colorful animated music video to learn how to pronounce the long ue u e ew sound copy

poems for vowels ew ue ui jetpack theaoi - Jan 31 2022

web poems for vowels ew ue ui poems for vowels ew ue ui contents poems for vowels ew ue ui pdfsdocuments2 com useful

english english vowel sounds board game with vowel digraph practice for oo ue ew and variant vowel pairs oo ew ui ue ou flashcards quizlet vowel pairs oo ew ue and ou words with ew and ue and words that end in es

how to teach kids long u spelling patterns u e ue ui and ew - Jul 17 2023

web 6 68k subscribers subscribe 26k views 3 years ago how first grade parents can teach long vowel sounds the video reviews the 4 long u spelling patterns u e ue ui ew practice

infectious diseases symptoms causes mayo clinic - Jul 16 2023

web feb 18 2022 infectious diseases are disorders caused by organisms such as bacteria viruses fungi or parasites many organisms live in and on our bodies they re normally harmless or even helpful but under certain conditions some organisms may cause disease some infectious diseases can be passed from person to person

infectious disease definition types causes britannica - May 14 2023

web nov 17 2023 infectious disease in medicine a process caused by an agent often a type of microorganism that impairs a person s health in many cases infectious disease can be spread from person to person either directly e g via skin contact or indirectly e g via contaminated food or water an infectious disease can differ from simple infection

answer key chapter 15 microbiology openstax - Oct 07 2022

web 23 2 bacterial infections of the urinary system 23 3 bacterial infections of the reproductive system 23 4 viral infections of the reproductive system 23 5 fungal infections of the reproductive system 23 6 protozoan infections of the urogenital system summary

[infectious diseases residency programme singhealth academy](#) - Aug 05 2022

web infectious diseases id is a specialty that traverses the traditional boundaries of organ specific specialties id physicians are first and foremost competent in general internal medicine but at the same time they are knowledgeable about surgical issues including subspecialty surgical problems such as those in neurosurgery orthopaedics

documenteteeeeeee disease spread answer key vocabulary disease - May 02 2022

web these diseases are known as infectious diseases infectious diseases are caused by viruses bacteria and other agents known as pathogens in the disease spread gizmo you will be able to observe how various pathogens can spread through a group of people

infection prevention and control global world health organization - Nov 08 2022

web nov 8 2023 infection prevention and control ipc is a practical evidence based approach preventing patients and health workers from being harmed by avoidable infections effective ipc requires constant action at all levels of the health system including policymakers facility managers health workers and those who access health services

section 40 1 infectious disease answers key 2023 - Apr 01 2022

web understand disease etiology and disease processes and help you apply your knowledge to clinical practice 43 case scenarios provide real world examples showing how you can apply and integrate knowledge answer key may be found in the back of the study guide allowing you to check your answers and evaluate your progress updated

major infectious diseases key messages from disease control pubmed - Sep 06 2022

web nov 3 2017 pmid 30212102 bookshelf id nbk525197 doi 10 1596 978 1 4648 0524 0 ch1 excerpt infectious diseases were responsible for the largest global burden of premature death and disability until the end of the twentieth century when that distinction passed to noncommunicable diseases

394425627 diseasespreadse key disease spread answer key - Feb 28 2022

web some diseases such as diabetes and most cancers are not spread from one person to another but other diseases such as the flu and strep throat can be spread these diseases are known as infectious diseases infectious diseases are caused by viruses bacteria and other agents known as pathogens

infectious diseases singhealth - Jun 15 2023

web tel 65 6788 8833 infectious disease tel 65 6930 6000 children s infectious diseases tel 65 6225 5554 last updated on 16 dec 2020 infectious disease refers to the diagnosis and treatment of infections caused by bacteria viruses fungi and parasites learn all treatments offered at singhealth

chapter 1 introduction to infectious diseases national institute - Jul 04 2022

web introduction to infectious diseases instructor guide 1 1 time the introduction to infectious diseases chapter is approximately 4 hours and 30 minutes of classroom training follow the lesson plan for a guide to scheduling this course time allotments for specific topics are provided within the plan

managing infectious diseases in early education and child care - Jun 03 2022

web managing infectious diseases in early education and child care settings answer key instructions circle the letter of the choice that best complements the statement or answers the question module 1 understanding infectious diseases 1 viruses should be treated with antibiotics a true b false 2

major infectious diseases key messages from disease control - Mar 12 2023

web nov 3 2017 introduction infectious diseases were responsible for the largest global burden of premature death and disability until the end of the twentieth century when that distinction passed to noncommunicable diseases over the previous centuries global pandemics of infectious diseases such as smallpox cholera and influenza

15 1 characteristics of infectious disease openstax - Aug 17 2023

web learning objectives by the end of this section you will be able to distinguish between signs and symptoms of disease explain the difference between a communicable disease and a noncommunicable disease compare different types of

infectious diseases including iatrogenic nosocomial and zoonotic diseases

infectious agents and how they cause disease immunobiology - Dec 09 2022

web infectious disease can be devastating and sometimes fatal to the host in this part of the chapter we will briefly examine the stages of infection and the various types of infectious agents an official website of the united states government

6 3 defence against infectious diseases bioninja - Sep 18 2023

web pathogens are disease causing agents e g microorganisms viruses and prions bactericidal drugs kill the invading bacteria whereas bacteriostatic drugs suppress its potential to reproduce the use of penicillin as a viable antibiotic was shown by florey

society of infectious disease singapore - Feb 11 2023

web infections infectious disease sids society of infectious disease singapore home about our history founding members the monteiro lecture the middleton hospital sars and id in singapore professor feng pao hsii international collaborations

infectious diseases sg50 events sids apu sids apu 2017 sids apu 2018

infectious disease types causes treatments cleveland clinic - Oct 19 2023

web jun 6 2022 infectious diseases are illnesses caused by harmful agents pathogens that get into your body the most common causes are viruses bacteria fungi and parasites infectious diseases usually spread from person to person through contaminated food or water and through bug bites

infectious diseases the brigham intensive review of internal - Apr 13 2023

web aug 1 2014 this chapter provides 50 board review questions and answers on the internal medicine specialty of infectious disease keywords infectious disease internal medicine board review

infections and infectious diseases world health organization - Jan 10 2023

web stop and note some points or answer a question 10 the summary of key points is a reiteration of the most important messages to absorb and remember from each module 11 bibliography module 4 infections spread by animals and insects and less common infectious diseases module 5 diseases spread by person to person contact

the art of harry potter mini book mini book of creatures - Oct 06 2023

web one of a new line of palm sized art books the art of harry potter mini book of creatures presents an incredible treasure trove of harry potter creature art in a unique miniature

the art of harry potter mini book of graphic design - Jan 17 2022

art of harry potter mini book of magical places insight editions - Oct 26 2022

web keep the captivating graphic art of the harry potter films close at hand with this miniature art book from the classic

pages of the daily prophet to the zany creations of weasleys

the art of harry potter mini book mini book of - Aug 24 2022

web keep the captivating graphic art of the harry potter films close at hand with this miniature art book from the daily prophet to xenophilius lovegood s the quibbler and the

the art of harry potter mini book of creatures kapak değişebilir - Sep 05 2023

web sep 10 2019 the art of harry potter mini book mini book of magical places insight editions 9781683837510 amazon com books books humor entertainment movies

the art of harry potter mini mini of ma insight editions 2023 - Dec 16 2021

the art of harry potter mini book of creatures - Jun 21 2022

web keep the captivating graphic art of the harry potter films close at hand with this miniature art book

the mini art of harry potter mini book of graphic design - May 21 2022

web keep the captivating graphic art of the harry potter films close at hand with this miniature art book from the classic pages of the daily prophet to the zany creations of weasleys

the art of harry potter mini book mini book of creatures - Feb 27 2023

web keep the fascinating magical creatures of the wizarding world close at hand with this miniature art book featuring concept art from the harry potter films the magical world

the art of harry potter mini book of graphic design - Apr 19 2022

web the art of harry potter mini book of graphic design is a mini book published by insight editions that contains art work produced for the eight harry potter films from the

the art of harry potter mini book mini book of creatures - Nov 26 2022

web oct 27 2023 keep the captivating graphic art of the harry potter films close at hand with this miniature art book from the classic pages of the daily prophet to the zany

the art of harry potter mini book mini book of creatures - Dec 28 2022

web art of harry potter mini book of magical places insight editions amazon com tr Çerez tercihlerinizi seçin alışveriş deneyiminizi geliştirmek hizmetlerimizi sunmak müşterilerin

the art of harry potter mini book mini book of magical places - Jan 29 2023

web may 14 2019 insight editions insight editions may 14 2019 art 304 pages keep the fascinating magical creatures of the wizarding world close at hand with this miniature art

the mini art of harry potter mini book of graphic design insight - Mar 19 2022

web kindly say the the art of harry potter mini mini of ma is universally compatible with any devices to read harry potter talking doobby and collectible book running press 2018

the art of harry potter mini book of graphic design goodreads - Feb 15 2022

the art of harry potter mini book mini book of graphic design - Jul 23 2022

web buy the art of harry potter mini book of graphic design 1 by insight editions isbn 9781683834526 from amazon s book store everyday low prices and free delivery on

the art of harry potter mini book mini book of graphic design - Sep 24 2022

web the art of harry potter mini book of creatures is a book published by insight editions it features sketches drawings paintings and digital renders of creatures created for the

the art of harry potter mini book mini book of magical places - Aug 04 2023

web may 14 2019 one of a new line of palm sized art books the art of harry mini book of creatures presents an incredible treasure trove of harry potter creature art in a unique

the art of harry potter mini book mini book of - Jul 03 2023

web it s a lovely good quality hard cover book full of colourful illustrations and attractive concept art used for the movies to create hogwarts and several magical locations from the harry

the art of harry potter mini book mini book of magical places - Jun 02 2023

web go behind the scenes and discover the gorgeous concept art of hogwarts diagon alley and the other magical locations of the wizarding world with this miniature art book

[the art of harry potter mini book mini book of magical](#) - Mar 31 2023

web sep 10 2019 43 ratings4 reviews go behind the scenes and discover the gorgeous concept art of hogwarts diagon alley and the other magical locations of the wizarding

[the art of harry potter mini book simon schuster](#) - May 01 2023

web amazon in buy the art of harry potter mini book mini book of creatures book online at best prices in india on amazon in read the art of harry potter mini book mini