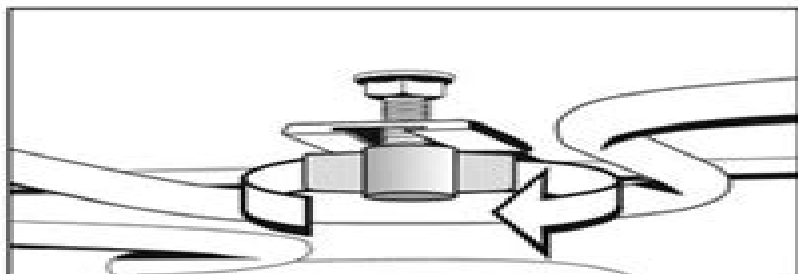


## Cleaning and care

### Roof liner (if present)

- Remove the runners together with the catalytic side panels (if present).



- Unscrew the wing nut.
- Gently lower the element.

Do not use force to pull it down as this can cause the element to break.

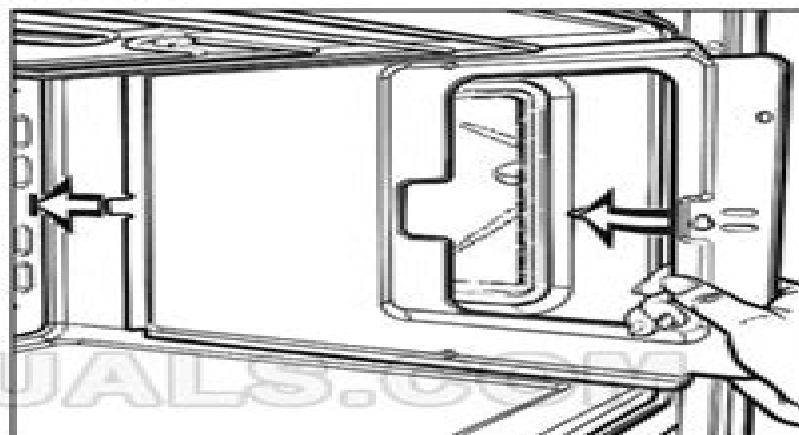
- Take out the roof liner.

**Reassemble** in the reverse order, carefully ensuring all parts are correctly in place.

### Side panels (if present)

- Remove the runners together with the catalytic side panels.

**Reassemble** in the reverse order, carefully ensuring all parts are correctly in place.



- Ease the side panels into the slots in the back of the oven and hold securely.
- Then ease the side runners into the slots in the back of the oven and secure in position by pushing the pin through the hole the side panel.
- Replace the runners.

# Miele H 4412 B Manual

**J Dewey**



**Miele H 4412 B Manual:**

Recognizing the way ways to get this books **Miele H 4412 B Manual** is additionally useful. You have remained in right site to begin getting this info. get the Miele H 4412 B Manual connect that we have enough money here and check out the link.

You could buy lead Miele H 4412 B Manual or get it as soon as feasible. You could speedily download this Miele H 4412 B Manual after getting deal. So, taking into consideration you require the book swiftly, you can straight acquire it. Its for that reason completely simple and consequently fats, isnt it? You have to favor to in this broadcast

[https://staging.conocer.cide.edu/results/book-search/Documents/Every\\_Moment\\_Counts\\_Silhouette\\_Special\\_Edition\\_No\\_344.pdf](https://staging.conocer.cide.edu/results/book-search/Documents/Every_Moment_Counts_Silhouette_Special_Edition_No_344.pdf)

## **Table of Contents Miele H 4412 B Manual**

1. Understanding the eBook Miele H 4412 B Manual
  - The Rise of Digital Reading Miele H 4412 B Manual
  - Advantages of eBooks Over Traditional Books
2. Identifying Miele H 4412 B Manual
  - Exploring Different Genres
  - Considering Fiction vs. Non-Fiction
  - Determining Your Reading Goals
3. Choosing the Right eBook Platform
  - Popular eBook Platforms
  - Features to Look for in an Miele H 4412 B Manual
  - User-Friendly Interface
4. Exploring eBook Recommendations from Miele H 4412 B Manual
  - Personalized Recommendations
  - Miele H 4412 B Manual User Reviews and Ratings
  - Miele H 4412 B Manual and Bestseller Lists
5. Accessing Miele H 4412 B Manual Free and Paid eBooks

- Miele H 4412 B Manual Public Domain eBooks
  - Miele H 4412 B Manual eBook Subscription Services
  - Miele H 4412 B Manual Budget-Friendly Options
6. Navigating Miele H 4412 B Manual eBook Formats
    - ePub, PDF, MOBI, and More
    - Miele H 4412 B Manual Compatibility with Devices
    - Miele H 4412 B Manual Enhanced eBook Features
  7. Enhancing Your Reading Experience
    - Adjustable Fonts and Text Sizes of Miele H 4412 B Manual
    - Highlighting and Note-Taking Miele H 4412 B Manual
    - Interactive Elements Miele H 4412 B Manual
  8. Staying Engaged with Miele H 4412 B Manual
    - Joining Online Reading Communities
    - Participating in Virtual Book Clubs
    - Following Authors and Publishers Miele H 4412 B Manual
  9. Balancing eBooks and Physical Books Miele H 4412 B Manual
    - Benefits of a Digital Library
    - Creating a Diverse Reading Collection Miele H 4412 B Manual
  10. Overcoming Reading Challenges
    - Dealing with Digital Eye Strain
    - Minimizing Distractions
    - Managing Screen Time
  11. Cultivating a Reading Routine Miele H 4412 B Manual
    - Setting Reading Goals Miele H 4412 B Manual
    - Carving Out Dedicated Reading Time
  12. Sourcing Reliable Information of Miele H 4412 B Manual
    - Fact-Checking eBook Content of Miele H 4412 B Manual
    - Distinguishing Credible Sources
  13. Promoting Lifelong Learning
    - Utilizing eBooks for Skill Development

- Exploring Educational eBooks
14. Embracing eBook Trends
- Integration of Multimedia Elements
  - Interactive and Gamified eBooks

### **Miele H 4412 B Manual Introduction**

In this digital age, the convenience of accessing information at our fingertips has become a necessity. Whether its research papers, eBooks, or user manuals, PDF files have become the preferred format for sharing and reading documents. However, the cost associated with purchasing PDF files can sometimes be a barrier for many individuals and organizations. Thankfully, there are numerous websites and platforms that allow users to download free PDF files legally. In this article, we will explore some of the best platforms to download free PDFs. One of the most popular platforms to download free PDF files is Project Gutenberg. This online library offers over 60,000 free eBooks that are in the public domain. From classic literature to historical documents, Project Gutenberg provides a wide range of PDF files that can be downloaded and enjoyed on various devices. The website is user-friendly and allows users to search for specific titles or browse through different categories. Another reliable platform for downloading Miele H 4412 B Manual free PDF files is Open Library. With its vast collection of over 1 million eBooks, Open Library has something for every reader. The website offers a seamless experience by providing options to borrow or download PDF files. Users simply need to create a free account to access this treasure trove of knowledge. Open Library also allows users to contribute by uploading and sharing their own PDF files, making it a collaborative platform for book enthusiasts. For those interested in academic resources, there are websites dedicated to providing free PDFs of research papers and scientific articles. One such website is Academia.edu, which allows researchers and scholars to share their work with a global audience. Users can download PDF files of research papers, theses, and dissertations covering a wide range of subjects. Academia.edu also provides a platform for discussions and networking within the academic community. When it comes to downloading Miele H 4412 B Manual free PDF files of magazines, brochures, and catalogs, Issuu is a popular choice. This digital publishing platform hosts a vast collection of publications from around the world. Users can search for specific titles or explore various categories and genres. Issuu offers a seamless reading experience with its user-friendly interface and allows users to download PDF files for offline reading. Apart from dedicated platforms, search engines also play a crucial role in finding free PDF files. Google, for instance, has an advanced search feature that allows users to filter results by file type. By specifying the file type as "PDF," users can find websites that offer free PDF downloads on a specific topic. While downloading Miele H 4412 B Manual free PDF files is convenient, its important to note that copyright laws must be respected. Always ensure that the PDF files you download are legally available for free.

Many authors and publishers voluntarily provide free PDF versions of their work, but its essential to be cautious and verify the authenticity of the source before downloading Miele H 4412 B Manual. In conclusion, the internet offers numerous platforms and websites that allow users to download free PDF files legally. Whether its classic literature, research papers, or magazines, there is something for everyone. The platforms mentioned in this article, such as Project Gutenberg, Open Library, Academia.edu, and Issuu, provide access to a vast collection of PDF files. However, users should always be cautious and verify the legality of the source before downloading Miele H 4412 B Manual any PDF files. With these platforms, the world of PDF downloads is just a click away.

### **FAQs About Miele H 4412 B Manual Books**

How do I know which eBook platform is the best for me? Finding the best eBook platform depends on your reading preferences and device compatibility. Research different platforms, read user reviews, and explore their features before making a choice. Are free eBooks of good quality? Yes, many reputable platforms offer high-quality free eBooks, including classics and public domain works. However, make sure to verify the source to ensure the eBook credibility. Can I read eBooks without an eReader? Absolutely! Most eBook platforms offer web-based readers or mobile apps that allow you to read eBooks on your computer, tablet, or smartphone. How do I avoid digital eye strain while reading eBooks? To prevent digital eye strain, take regular breaks, adjust the font size and background color, and ensure proper lighting while reading eBooks. What the advantage of interactive eBooks? Interactive eBooks incorporate multimedia elements, quizzes, and activities, enhancing the reader engagement and providing a more immersive learning experience. Miele H 4412 B Manual is one of the best book in our library for free trial. We provide copy of Miele H 4412 B Manual in digital format, so the resources that you find are reliable. There are also many Ebooks of related with Miele H 4412 B Manual. Where to download Miele H 4412 B Manual online for free? Are you looking for Miele H 4412 B Manual PDF? This is definitely going to save you time and cash in something you should think about.

### **Find Miele H 4412 B Manual :**

**every moment counts silhouette special edition no. 344**

*evaluating social science research*

**evangelism for a changing world**

every day; bible readings for each day of the year by

ever-expanding horizons the dual informational sources of human evolution

*every monday in the mailbox*

**evas animal friends complete instructions for making the world-famous eva soft toys**

*europes wonderful little hotels and inns 1992 the continent*

**european union a political sociology**

~~everest-englishspanishenglish dictionary 15000 words~~

**evaluation of biomass-to-ethanol fuel potential in california**

*evangelism a way of life*

**evangelism through the sunday school a journey of faith**

**europes age of steam**

~~eurhythmies—greatest hits~~

### **Miele H 4412 B Manual :**

FREE Justy Service Manual Download Here Apr 12, 2016 — Thanks to a very generous forum member, we can now all have this manual to work from. If he wants to come forward and get recognition, ... Subaru Justy 1987 - 1994 Haynes Repair Manuals & Guides Need to service or repair your Subaru Justy 1987 - 1994? Online and print formats available. Save time and money when you follow the advice of Haynes' ... 1993 Subaru Justy Parts Buy Genuine 1993 Subaru Justy Parts online from your local Subaru retailer. Love every mile with Subaru OEM parts and accessories from Subaru of America. subaru manual de taller subaru justy.pdf (2.33 MB) - Repair ... Subaru Libero I E12 Repair manuals English 2.33 MB Repair manual Tren motriz 5 velocidades del Fwd Transaxle Información general Impresión Este transeje se ... 1993 Subaru Justy Service Repair Manual 93 This manual includes over a thousand pages with different repair/maintenance procedures, part layouts, wiring schematics, part numbers and more that are ... Repair manuals - Subaru Libero Repair manual. Repair manuals. 22.1 MB, German, 167. Libero E10, 1987, 1987 libero service manual deutsch.pdf. Repair ... Hey all, my car wont start, I drove it to the local McDonald's ... Its a 1993 subaru justy and it is Fuel injected, not carbed part of me ... Sharing the link again for the workshop manual for those who are ... Subaru Brat, Impreza, Outback, etc. Repair Manual 1985- ... This repair manual covers 1985-1996 Subaru Brat, Impreza, Justy, Legacy, Loyale, Outback, Sedan, Std, SVX, Wagon, XT and XT-6. Chilton 64302. I have a 92 93 94 Subaru factory service manual Jul 12, 2002 — I could possibly be willing to sell my set of factory service manuals for the 1992-1993 Subaru Legacy. There are 5 books. The first 4 are on ... Investigating Biology Lab Manual with Biology - 8th Edition Our resource for Investigating Biology Lab Manual with Biology includes answers to chapter exercises, as well as detailed information to walk you through the ... Biological Investigations Lab Manual 8th Edition Unlike



static PDF Biological Investigations Lab Manual 8th Edition solution manuals or printed answer keys, our experts show you how to solve each problem step- ... Investigating Biology Laboratory Manual 8th Edition ... Unlike static PDF Investigating Biology Laboratory Manual 8th Edition solution manuals or printed answer keys, our experts show you how to solve each problem ... Investigating Biology Lab Manual with ... Amazon.com: Investigating Biology Lab Manual with Biology with MasteringBiology (8th Edition): 9780321557315: Campbell, Neil A., Reece, Jane B.: Books. Investigating Biology Laboratory Manual (8th Edition) With its distinctive investigative approach to learning, this best-selling laboratory manual is now more engaging than ever, with full-color art and photos ... Preparation Guide for Investigating Biology Lab Manual, ... This guide includes the support and expertise necessary to launch a successful investigative laboratory program. The new edition includes suggestions and ... Results for "investigating biology lab manual global edition" Explore Solutions for Your Discipline Explore Solutions for Your Discipline ... Editions. Show more +. More subjects options will be revealed above. Search ... Investigating Biology Laboratory Manual (8th Edition) With its distinctive investigative approach to learning, this best-selling laboratory manual is now more engaging than ever, with full-color art and photos ... Biology+laboratory+manual.pdf ... answer the frequent ques~ tion "What will the tests be like?" • Worksheets ... investigating the ef~ fects of a nutrient on plant growth, then your ... Togedor ATSG A500 A518 A618 42RE 42RH 46RE ... Buy Togedor ATSG A500 A518 A618 42RE 42RH 46RE Technical Service Repair Manual C on Amazon.com □ FREE SHIPPING on qualified orders. A500 A518 A618 Rebuild Manual ATSG 42rh 44rh 46rh ... A500 A518 A618 Rebuild Manual ATSG 42rh 44rh 46rh 47rh Transmission Service Overhaul Techtran Book. OPT Product Code: ATSG-A500 UPC Code: 852553006080. \$35.00. 42RH 46RH Transmission Technical Service & Repair ... 42RH 46RH 47RH. ATSG Technical Service and Repair Manual. rebuilding a 46rh transmission. how to manual May 27, 2012 — Anyone have a link to a how to manual, or a pdf file, or know where to buy a manual on how to rebuild a 46rh (518) transmission for a 95 ram ... Dodge Trucks TechTran A500 42RH A518 46RH A618 ... Dodge Trucks TechTran A500 42RH A518 46RH A618 47RH Service Manual PDF ... AL4 & DPO transmission rebuild manual. REBUILD MANUAL, TECH MANUAL, A500 / 518 / 618 / ... SKU: CC 12400E, a20 ra top shelf Categories: 46RE / 46RH, 47RE / 47RH / 618 ... Transmission Shop (318)742-7784, (318) 550-5731, (318) 550-5732. Products. GM ... 12400E - ATSG Dodge Jeep A500 A518 A618 44RH 46RH ... Chrysler Dodge Jeep A500/518/618 Rebuild ATSG Tech Manual 120 pages Standard Paperback Book Design (not pocket guide) Start your rebuild here. CHRYSLER 42RH (A500) 46RH (A518) 47RH(A618) AUTOMATIC TRANSMISSION SERVICE GROUP. 18639 S.W. 107 AVENUE. MIAMI, FLORIDA 33157. (305) 670-4161. BACK. WWW.ALL-TRANS.BY. Page 2. INTRODUCTION. 42RH (A500) - ... DODGE 46RE Transmission Teardown/Rebuild This tutorial is designed to be a help guide used in conjunction with the Dodge Shop Manual (a must have). Pre-Removal: I). Soak all exhaust bolts in PB Blaster ... 46RH transmission repair manuals (46RE/47RH/A518/A618) 46RH transmission repair manuals (46RE/47RH/A518/A618), diagrams, guides, tips and free download PDF instructions. Fluid capacity and type, valve

body and ...