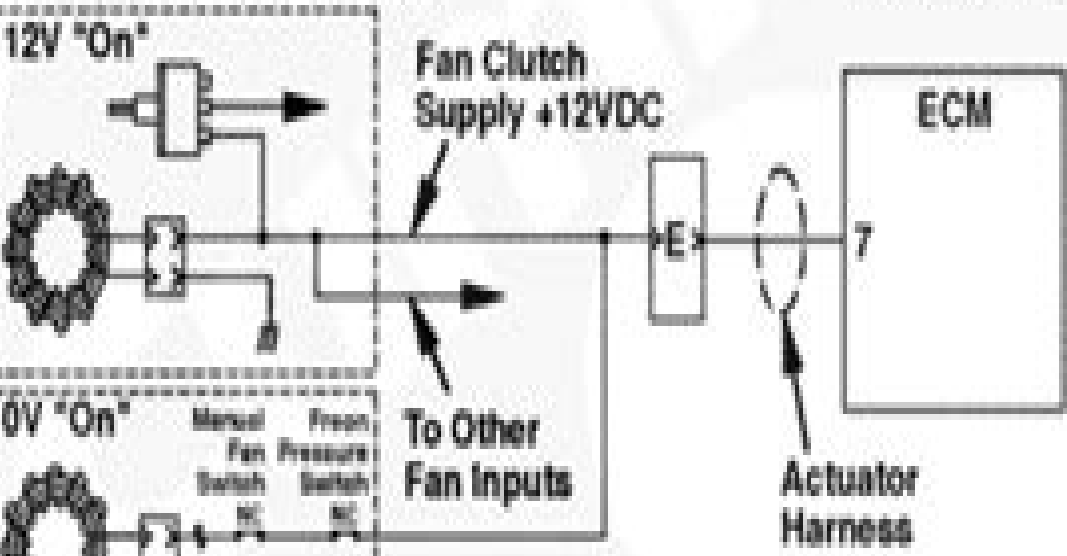
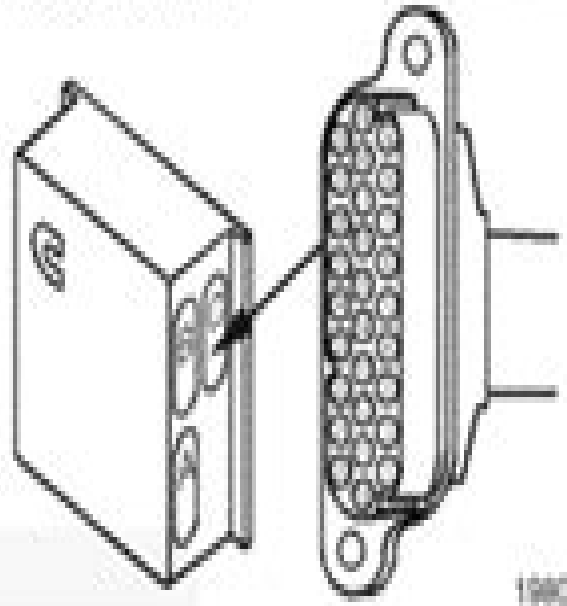


ECM P/N 3618036 & 3169037



ECM P/N 3084476



Mx 255 Fault Codes

BM King



Mx 255 Fault Codes:

Fuel your quest for knowledge with is thought-provoking masterpiece, **Mx 255 Fault Codes** . This educational ebook, conveniently sized in PDF (PDF Size: *), is a gateway to personal growth and intellectual stimulation. Immerse yourself in the enriching content curated to cater to every eager mind. Download now and embark on a learning journey that promises to expand your horizons. .

<https://staging.conocer.cide.edu/data/detail/default.aspx/hp%20ipaq%20hx24guide.pdf>

Table of Contents Mx 255 Fault Codes

1. Understanding the eBook Mx 255 Fault Codes
 - The Rise of Digital Reading Mx 255 Fault Codes
 - Advantages of eBooks Over Traditional Books
2. Identifying Mx 255 Fault Codes
 - Exploring Different Genres
 - Considering Fiction vs. Non-Fiction
 - Determining Your Reading Goals
3. Choosing the Right eBook Platform
 - Popular eBook Platforms
 - Features to Look for in an Mx 255 Fault Codes
 - User-Friendly Interface
4. Exploring eBook Recommendations from Mx 255 Fault Codes
 - Personalized Recommendations
 - Mx 255 Fault Codes User Reviews and Ratings
 - Mx 255 Fault Codes and Bestseller Lists
5. Accessing Mx 255 Fault Codes Free and Paid eBooks
 - Mx 255 Fault Codes Public Domain eBooks
 - Mx 255 Fault Codes eBook Subscription Services
 - Mx 255 Fault Codes Budget-Friendly Options

6. Navigating Mx 255 Fault Codes eBook Formats
 - ePub, PDF, MOBI, and More
 - Mx 255 Fault Codes Compatibility with Devices
 - Mx 255 Fault Codes Enhanced eBook Features
7. Enhancing Your Reading Experience
 - Adjustable Fonts and Text Sizes of Mx 255 Fault Codes
 - Highlighting and Note-Taking Mx 255 Fault Codes
 - Interactive Elements Mx 255 Fault Codes
8. Staying Engaged with Mx 255 Fault Codes
 - Joining Online Reading Communities
 - Participating in Virtual Book Clubs
 - Following Authors and Publishers Mx 255 Fault Codes
9. Balancing eBooks and Physical Books Mx 255 Fault Codes
 - Benefits of a Digital Library
 - Creating a Diverse Reading Collection Mx 255 Fault Codes
10. Overcoming Reading Challenges
 - Dealing with Digital Eye Strain
 - Minimizing Distractions
 - Managing Screen Time
11. Cultivating a Reading Routine Mx 255 Fault Codes
 - Setting Reading Goals Mx 255 Fault Codes
 - Carving Out Dedicated Reading Time
12. Sourcing Reliable Information of Mx 255 Fault Codes
 - Fact-Checking eBook Content of Mx 255 Fault Codes
 - Distinguishing Credible Sources
13. Promoting Lifelong Learning
 - Utilizing eBooks for Skill Development
 - Exploring Educational eBooks
14. Embracing eBook Trends
 - Integration of Multimedia Elements

- Interactive and Gamified eBooks

Mx 255 Fault Codes Introduction

In the digital age, access to information has become easier than ever before. The ability to download Mx 255 Fault Codes has revolutionized the way we consume written content. Whether you are a student looking for course material, an avid reader searching for your next favorite book, or a professional seeking research papers, the option to download Mx 255 Fault Codes has opened up a world of possibilities. Downloading Mx 255 Fault Codes provides numerous advantages over physical copies of books and documents. Firstly, it is incredibly convenient. Gone are the days of carrying around heavy textbooks or bulky folders filled with papers. With the click of a button, you can gain immediate access to valuable resources on any device. This convenience allows for efficient studying, researching, and reading on the go. Moreover, the cost-effective nature of downloading Mx 255 Fault Codes has democratized knowledge. Traditional books and academic journals can be expensive, making it difficult for individuals with limited financial resources to access information. By offering free PDF downloads, publishers and authors are enabling a wider audience to benefit from their work. This inclusivity promotes equal opportunities for learning and personal growth. There are numerous websites and platforms where individuals can download Mx 255 Fault Codes. These websites range from academic databases offering research papers and journals to online libraries with an expansive collection of books from various genres. Many authors and publishers also upload their work to specific websites, granting readers access to their content without any charge. These platforms not only provide access to existing literature but also serve as an excellent platform for undiscovered authors to share their work with the world. However, it is essential to be cautious while downloading Mx 255 Fault Codes. Some websites may offer pirated or illegally obtained copies of copyrighted material. Engaging in such activities not only violates copyright laws but also undermines the efforts of authors, publishers, and researchers. To ensure ethical downloading, it is advisable to utilize reputable websites that prioritize the legal distribution of content. When downloading Mx 255 Fault Codes, users should also consider the potential security risks associated with online platforms. Malicious actors may exploit vulnerabilities in unprotected websites to distribute malware or steal personal information. To protect themselves, individuals should ensure their devices have reliable antivirus software installed and validate the legitimacy of the websites they are downloading from. In conclusion, the ability to download Mx 255 Fault Codes has transformed the way we access information. With the convenience, cost-effectiveness, and accessibility it offers, free PDF downloads have become a popular choice for students, researchers, and book lovers worldwide. However, it is crucial to engage in ethical downloading practices and prioritize personal security when utilizing online platforms. By doing so, individuals can make the most of the vast array of free PDF resources available and embark on a journey of continuous learning and intellectual growth.

FAQs About Mx 255 Fault Codes Books

How do I know which eBook platform is the best for me? Finding the best eBook platform depends on your reading preferences and device compatibility. Research different platforms, read user reviews, and explore their features before making a choice. Are free eBooks of good quality? Yes, many reputable platforms offer high-quality free eBooks, including classics and public domain works. However, make sure to verify the source to ensure the eBook credibility. Can I read eBooks without an eReader? Absolutely! Most eBook platforms offer webbased readers or mobile apps that allow you to read eBooks on your computer, tablet, or smartphone. How do I avoid digital eye strain while reading eBooks? To prevent digital eye strain, take regular breaks, adjust the font size and background color, and ensure proper lighting while reading eBooks. What the advantage of interactive eBooks? Interactive eBooks incorporate multimedia elements, quizzes, and activities, enhancing the reader engagement and providing a more immersive learning experience. Mx 255 Fault Codes is one of the best book in our library for free trial. We provide copy of Mx 255 Fault Codes in digital format, so the resources that you find are reliable. There are also many Ebooks of related with Mx 255 Fault Codes. Where to download Mx 255 Fault Codes online for free? Are you looking for Mx 255 Fault Codes PDF? This is definitely going to save you time and cash in something you should think about. If you trying to find then search around for online. Without a doubt there are numerous these available and many of them have the freedom. However without doubt you receive whatever you purchase. An alternate way to get ideas is always to check another Mx 255 Fault Codes. This method for see exactly what may be included and adopt these ideas to your book. This site will almost certainly help you save time and effort, money and stress. If you are looking for free books then you really should consider finding to assist you try this. Several of Mx 255 Fault Codes are for sale to free while some are payable. If you arent sure if the books you would like to download works with for usage along with your computer, it is possible to download free trials. The free guides make it easy for someone to free access online library for download books to your device. You can get free download on free trial for lots of books categories. Our library is the biggest of these that have literally hundreds of thousands of different products categories represented. You will also see that there are specific sites catered to different product types or categories, brands or niches related with Mx 255 Fault Codes. So depending on what exactly you are searching, you will be able to choose e books to suit your own need. Need to access completely for Campbell Biology Seventh Edition book? Access Ebook without any digging. And by having access to our ebook online or by storing it on your computer, you have convenient answers with Mx 255 Fault Codes To get started finding Mx 255 Fault Codes, you are right to find our website which has a comprehensive collection of books online. Our library is the biggest of these that have literally hundreds of thousands of different products represented. You will also see that there are specific sites catered to different categories or niches related with Mx 255 Fault Codes So depending on what exactly you are searching, you will be able to choose ebook to suit your own need. Thank you for reading Mx 255 Fault Codes. Maybe you

have knowledge that, people have search numerous times for their favorite readings like this Mx 255 Fault Codes, but end up in harmful downloads. Rather than reading a good book with a cup of coffee in the afternoon, instead they juggled with some harmful bugs inside their laptop. Mx 255 Fault Codes is available in our book collection an online access to it is set as public so you can download it instantly. Our digital library spans in multiple locations, allowing you to get the most less latency time to download any of our books like this one. Merely said, Mx 255 Fault Codes is universally compatible with any devices to read.

Find Mx 255 Fault Codes :

[hp ipaq hx24guide](#)

hp elitebook 8560w manual

[hp officejet 6300 fax manual](#)

[hp laserjet pro m1530 manual](#)

[hp laserjet 1320 maintenance](#)

hp envy 114 e all in one printer manual

[hp pavilion dv8000 disassembly guide](#)

[hp f4480 manual](#)

[hp pavilion dv7 entertainment pc s manual](#)

[hp manual for 5520](#)

[hp laserjet 4p repair manual](#)

hp officejet 8600 plus manual

[hp ipaq hx2400 guide](#)

[hp elitebook 8560w user manual](#)

hp f2210 multifunction printers owners manual

Mx 255 Fault Codes :

Flashes of Thought - Amazon.com Really interesting book, specially if the reader wishes to have some insights on the Arabic culture and on HH MBRAM's managerial style and thinking. Helpful. Flashes of... by bin Rashid Al Maktoum, Sheikh Mohammed Really interesting book, specially if the reader wishes to have some insights on the Arabic culture and on HH MBRAM's managerial style and thinking. Helpful. (PDF) FLASHES of THOUGHT | nitrolol Robot101 This paper explores the

transformational leadership of the UAE founders since 1971, mainly, Sheikh Zayed bin Sultan Al Nahyan and Sheikh Rashid bin Saeed Al ... Flashes-of-Thought.pdf ... the book under reference-such of which one rarely comes across, by His Highness Sheikh Mohammed bin Rashid Al Maktoum, the eminent UAE Vice. President, Prime ... Flashes of Thought - HH Sheikh Mohammed Bin Rashid Al ... Flashes of Thought is a diverse collection of personal reflections by His Highness Sheikh Mohammed bin Rashid Al Maktoum, Vice-President and Prime Minister ... Flashes of Thought by Mohammed bin Rashid Al Maktoum This book covered a wide range of topics from management and leadership to personal life, success and it's drivers. This book inspired by a dialogue at the ... Flashes of Thought: Inspired by a Dialogue at ... Flashes of Thought is a diverse collection of personal reflections by His Highness Sheikh Mohammed bin Rashid Al Maktoum, Vice-President and Prime Minister ... Flashes of Thought Flashes of Thought is a collection of personal reflections by His Highness Sheikh Mohammed bin Rashid Al Maktoum, Vice President and Prime Minister of the ... Flashes of Thought - Mohammed bin Rashid Al Maktoum This book is packed with ideas for governance, leadership and life from the man ... Sheikh Mohammed bin Rashid Al Maktoum is the Prime Minister and Vice ... Flashes of Thought by HH Sheikh Mohammed Bin Rashid ... Flashes of Thought is a diverse collection of personal reflections by His Highness Sheikh Mohammed bin Rashid Al Maktoum, Vice-President and Prime Minister ... ERB CTP Practice Test Prep 7th Grade Level 7 PDF Dec 19, 2019 — should use CTP Level 6 within the fall window testing, If you are testing in the spring you should use Level 7. REGISTER FOR MEMBER ONLY ... Erb Ctp 4 7 Grade Sample Test Pdf Page 1. Erb Ctp 4 7 Grade Sample Test Pdf. INTRODUCTION Erb Ctp 4 7 Grade Sample Test Pdf FREE. CTP by ERB | Summative Assessment for Grades 1-11 The Comprehensive Testing Program (CTP) is a rigorous assessment for students in Grades 1-11 covering reading, listening, vocabulary, writing, mathematics, and ... CTP Practice Questions - Tests For these example, what grade is this supposed to be for? My first graders are taking more time than I thought they would. Helpful Testing Links – The ... ERB CTP Practice Test Prep 4th Grade Level 4 PDF Dec 19, 2019 — Verbal Reasoning test at Level 4 evaluates student's developing proficiency in Analogical Reasoning, Categorical Reasoning & Logical Reasoning. ISEE Test Preparation for Families The score reports are similar to the ones a student receives after taking an ISEE exam. Reviewing a sample test is an excellent way to prepare for test day! CTP 4 Content Standards Manual Check with the ERB website for ... Sample Question 4, page 133. Page 49. 47. Level 7. Verbal Reasoning. The CTP 4 Verbal Reasoning test at Level 7 measures ... CTP - Content Standards Manual CTPOperations@erblearn.org. •. Page 5. CONTENT CATEGORIES: LEVEL 3. Sample Questions on pages 54-62. VERBAL REASONING. The CTP Verbal Reasoning test at Level 3 ... ERB Standardized Tests Verbal and quantitative reasoning subtests are part of the CTP4, beginning in Grade 3. The CTP4 helps compare content-specific performance to the more ... ctp 5 - sample items May 14, 2018 — introduced more high-level DOK questions while carefully maintaining CTP's historic level ... Writing Concepts & Skills. Question 8 · CTP Level 4 ... SL4640 SL4840 SL5640 SL6640 Skid-Steer Loaders Operators must have instructions before running the machine.

Untrained operators can cause injury or death. Read Operator's Manual before using machine. CORRECT. Service Manual Gehl SL3510 SL3610 Skid Steer Loader Service Manual Gehl SL3510 SL3610 Skid Steer Loader · Book details · Product information · Important information · Additional DetailsAdditional Details. Skid Steer Loader Manuals & Books for Gehl Get the best deals on Skid Steer Loader Manuals & Books for Gehl when you shop the largest online selection at eBay.com. Free shipping on many items ... Gehl 000-88025 Service Manual Home /; Product details /; Service Manual. Share Print. Service Manual - 0. Gehl. Service Manual. SKU: 000-88025. See Full Details. Availability varies Gehl Heavy Equipment Manuals & Books for Gehl Skid ... Get the best deals on Gehl Heavy Equipment Manuals & Books for Gehl Skid Steer Loader when you shop the largest online selection at eBay.com. Gehl Manuals | Parts, Service, Repair and Owners Manuals Gehl manuals are a must for the DIY person, offering part numbers, service and repair information, as well as original owners / operators instructions and ... Gehl SL3510 Skid Steer Loader Service Manual Our Repair Manual, also known as service manual or shop manual show you how to disassemble and reassemble your tractor. These manuals are authentic ... All Gehl Manuals All Gehl Service Repair & Operator & Owner Manuals. Gehl CTL75 Compact Track Loader Service Repair Manual. \$45.00. Gehl CTL80 Compact Track Loader Service ... Service Manual fits Gehl SL3610 SL3510 Compatible with Gehl Skid Steer Loader(s) SL3510, SL3610; Chassis Only; Pages: 100; Numbered pictures give great detail on assembly and disassembly ... Gehl Skid Steer Service Manual A-GE-S-5625 346 pages - Gehl 5625 Skid Loader (S/N 8868 and UP) Service Manual (SVC); Pages : 346. Sections and Models: Manuals > Manuals; Gehl SKID STEER LOADER: 5625 ...