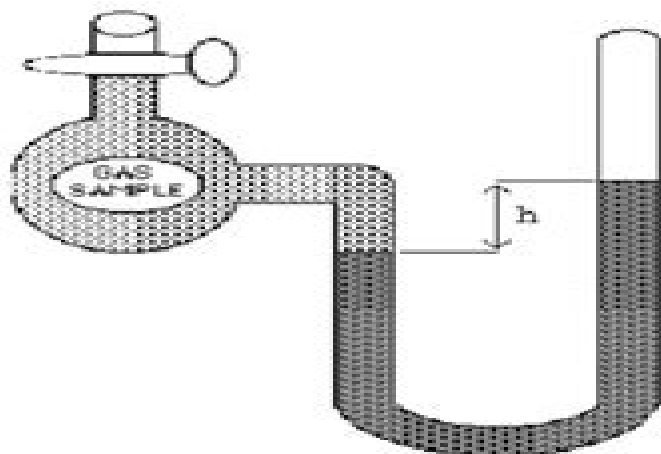


1. In the diagram below  $h$  is 15 mm Hg.
- What is the pressure of the gas sample in mm Hg?
  - What is the pressure of the gas sample in kPa?

DATA TABLE	
$h = 15 \text{ mm Hg}$	$P_{\text{Gas Sample}} = ?$

*This is a close-ended manometer problem. ∴ The height of the Hg is the gas pressure.  
 Pressure<sub>Gas Sample</sub> = Height of the Hg*



- A. What is the pressure of the gas sample in mm Hg?

$$P_{\text{Gas Sample}} = 15 \text{ mm Hg}$$

- B. What is the pressure of the gas sample in kPa?

$$\text{Pressure}_{\text{Gas Sample}} = (15 \text{ mm-Hg}) \left( \frac{101 \text{ kPa}}{760 \text{ mm-Hg}} \right)$$

$$P_{\text{Gas Sample}} = 2.0 \text{ kPa}$$

- OR -

$$\frac{760 \text{ mm-Hg}}{101 \text{ kPa}} = \frac{15 \text{ mm-Hg}}{x}$$

$$P_{\text{Gas Sample}} = 2.0 \text{ kPa}$$

- OR -

$$\frac{760 \text{ mm-Hg}}{15 \text{ mm-Hg}} = \frac{101 \text{ kPa}}{x}$$

$$P_{\text{Gas Sample}} = 2.0 \text{ kPa}$$

# Manometer Practice Problems With Answers

**Michael R. Lindeburg**



**Manometer Practice Problems With Answers:**

As recognized, adventure as competently as experience approximately lesson, amusement, as without difficulty as accord can be gotten by just checking out a book **Manometer Practice Problems With Answers** then it is not directly done, you could say you will even more on the subject of this life, concerning the world.

We manage to pay for you this proper as skillfully as simple exaggeration to acquire those all. We meet the expense of Manometer Practice Problems With Answers and numerous ebook collections from fictions to scientific research in any way. along with them is this Manometer Practice Problems With Answers that can be your partner.

[https://staging.conocer.cide.edu/About/uploaded-files/Download\\_PDFS/Man%20Er%20Tainment%20Report.pdf](https://staging.conocer.cide.edu/About/uploaded-files/Download_PDFS/Man%20Er%20Tainment%20Report.pdf)

## **Table of Contents Manometer Practice Problems With Answers**

1. Understanding the eBook Manometer Practice Problems With Answers
  - The Rise of Digital Reading Manometer Practice Problems With Answers
  - Advantages of eBooks Over Traditional Books
2. Identifying Manometer Practice Problems With Answers
  - Exploring Different Genres
  - Considering Fiction vs. Non-Fiction
  - Determining Your Reading Goals
3. Choosing the Right eBook Platform
  - Popular eBook Platforms
  - Features to Look for in an Manometer Practice Problems With Answers
  - User-Friendly Interface
4. Exploring eBook Recommendations from Manometer Practice Problems With Answers
  - Personalized Recommendations
  - Manometer Practice Problems With Answers User Reviews and Ratings
  - Manometer Practice Problems With Answers and Bestseller Lists
5. Accessing Manometer Practice Problems With Answers Free and Paid eBooks

- Manometer Practice Problems With Answers Public Domain eBooks
  - Manometer Practice Problems With Answers eBook Subscription Services
  - Manometer Practice Problems With Answers Budget-Friendly Options
6. Navigating Manometer Practice Problems With Answers eBook Formats
    - ePub, PDF, MOBI, and More
    - Manometer Practice Problems With Answers Compatibility with Devices
    - Manometer Practice Problems With Answers Enhanced eBook Features
  7. Enhancing Your Reading Experience
    - Adjustable Fonts and Text Sizes of Manometer Practice Problems With Answers
    - Highlighting and Note-Taking Manometer Practice Problems With Answers
    - Interactive Elements Manometer Practice Problems With Answers
  8. Staying Engaged with Manometer Practice Problems With Answers
    - Joining Online Reading Communities
    - Participating in Virtual Book Clubs
    - Following Authors and Publishers Manometer Practice Problems With Answers
  9. Balancing eBooks and Physical Books Manometer Practice Problems With Answers
    - Benefits of a Digital Library
    - Creating a Diverse Reading Collection Manometer Practice Problems With Answers
  10. Overcoming Reading Challenges
    - Dealing with Digital Eye Strain
    - Minimizing Distractions
    - Managing Screen Time
  11. Cultivating a Reading Routine Manometer Practice Problems With Answers
    - Setting Reading Goals Manometer Practice Problems With Answers
    - Carving Out Dedicated Reading Time
  12. Sourcing Reliable Information of Manometer Practice Problems With Answers
    - Fact-Checking eBook Content of Manometer Practice Problems With Answers
    - Distinguishing Credible Sources
  13. Promoting Lifelong Learning
    - Utilizing eBooks for Skill Development

- Exploring Educational eBooks
14. Embracing eBook Trends
- Integration of Multimedia Elements
  - Interactive and Gamified eBooks

### **Manometer Practice Problems With Answers Introduction**

In today's digital age, the availability of Manometer Practice Problems With Answers books and manuals for download has revolutionized the way we access information. Gone are the days of physically flipping through pages and carrying heavy textbooks or manuals. With just a few clicks, we can now access a wealth of knowledge from the comfort of our own homes or on the go. This article will explore the advantages of Manometer Practice Problems With Answers books and manuals for download, along with some popular platforms that offer these resources. One of the significant advantages of Manometer Practice Problems With Answers books and manuals for download is the cost-saving aspect. Traditional books and manuals can be costly, especially if you need to purchase several of them for educational or professional purposes. By accessing Manometer Practice Problems With Answers versions, you eliminate the need to spend money on physical copies. This not only saves you money but also reduces the environmental impact associated with book production and transportation. Furthermore, Manometer Practice Problems With Answers books and manuals for download are incredibly convenient. With just a computer or smartphone and an internet connection, you can access a vast library of resources on any subject imaginable. Whether you're a student looking for textbooks, a professional seeking industry-specific manuals, or someone interested in self-improvement, these digital resources provide an efficient and accessible means of acquiring knowledge. Moreover, PDF books and manuals offer a range of benefits compared to other digital formats. PDF files are designed to retain their formatting regardless of the device used to open them. This ensures that the content appears exactly as intended by the author, with no loss of formatting or missing graphics. Additionally, PDF files can be easily annotated, bookmarked, and searched for specific terms, making them highly practical for studying or referencing. When it comes to accessing Manometer Practice Problems With Answers books and manuals, several platforms offer an extensive collection of resources. One such platform is Project Gutenberg, a nonprofit organization that provides over 60,000 free eBooks. These books are primarily in the public domain, meaning they can be freely distributed and downloaded. Project Gutenberg offers a wide range of classic literature, making it an excellent resource for literature enthusiasts. Another popular platform for Manometer Practice Problems With Answers books and manuals is Open Library. Open Library is an initiative of the Internet Archive, a non-profit organization dedicated to digitizing cultural artifacts and making them accessible to the public. Open Library hosts millions of books, including both public domain works and contemporary titles. It also allows users to borrow

digital copies of certain books for a limited period, similar to a library lending system. Additionally, many universities and educational institutions have their own digital libraries that provide free access to PDF books and manuals. These libraries often offer academic texts, research papers, and technical manuals, making them invaluable resources for students and researchers. Some notable examples include MIT OpenCourseWare, which offers free access to course materials from the Massachusetts Institute of Technology, and the Digital Public Library of America, which provides a vast collection of digitized books and historical documents. In conclusion, Manometer Practice Problems With Answers books and manuals for download have transformed the way we access information. They provide a cost-effective and convenient means of acquiring knowledge, offering the ability to access a vast library of resources at our fingertips. With platforms like Project Gutenberg, Open Library, and various digital libraries offered by educational institutions, we have access to an ever-expanding collection of books and manuals. Whether for educational, professional, or personal purposes, these digital resources serve as valuable tools for continuous learning and self-improvement. So why not take advantage of the vast world of Manometer Practice Problems With Answers books and manuals for download and embark on your journey of knowledge?

### **FAQs About Manometer Practice Problems With Answers Books**

How do I know which eBook platform is the best for me? Finding the best eBook platform depends on your reading preferences and device compatibility. Research different platforms, read user reviews, and explore their features before making a choice. Are free eBooks of good quality? Yes, many reputable platforms offer high-quality free eBooks, including classics and public domain works. However, make sure to verify the source to ensure the eBook credibility. Can I read eBooks without an eReader? Absolutely! Most eBook platforms offer webbased readers or mobile apps that allow you to read eBooks on your computer, tablet, or smartphone. How do I avoid digital eye strain while reading eBooks? To prevent digital eye strain, take regular breaks, adjust the font size and background color, and ensure proper lighting while reading eBooks. What the advantage of interactive eBooks? Interactive eBooks incorporate multimedia elements, quizzes, and activities, enhancing the reader engagement and providing a more immersive learning experience. Manometer Practice Problems With Answers is one of the best book in our library for free trial. We provide copy of Manometer Practice Problems With Answers in digital format, so the resources that you find are reliable. There are also many Ebooks of related with Manometer Practice Problems With Answers. Where to download Manometer Practice Problems With Answers online for free? Are you looking for Manometer Practice Problems With Answers PDF? This is definitely going to save you time and cash in something you should think about. If you trying to find then search around for online. Without a doubt there are numerous these available and many of them have the freedom. However without doubt you receive whatever you purchase. An alternate way to get ideas is

always to check another Manometer Practice Problems With Answers. This method for see exactly what may be included and adopt these ideas to your book. This site will almost certainly help you save time and effort, money and stress. If you are looking for free books then you really should consider finding to assist you try this. Several of Manometer Practice Problems With Answers are for sale to free while some are payable. If you arent sure if the books you would like to download works with for usage along with your computer, it is possible to download free trials. The free guides make it easy for someone to free access online library for download books to your device. You can get free download on free trial for lots of books categories. Our library is the biggest of these that have literally hundreds of thousands of different products categories represented. You will also see that there are specific sites catered to different product types or categories, brands or niches related with Manometer Practice Problems With Answers. So depending on what exactly you are searching, you will be able to choose e books to suit your own need. Need to access completely for Campbell Biology Seventh Edition book? Access Ebook without any digging. And by having access to our ebook online or by storing it on your computer, you have convenient answers with Manometer Practice Problems With Answers To get started finding Manometer Practice Problems With Answers, you are right to find our website which has a comprehensive collection of books online. Our library is the biggest of these that have literally hundreds of thousands of different products represented. You will also see that there are specific sites catered to different categories or niches related with Manometer Practice Problems With Answers So depending on what exactly you are searching, you will be able tochoose ebook to suit your own need. Thank you for reading Manometer Practice Problems With Answers. Maybe you have knowledge that, people have search numerous times for their favorite readings like this Manometer Practice Problems With Answers, but end up in harmful downloads. Rather than reading a good book with a cup of coffee in the afternoon, instead they juggled with some harmful bugs inside their laptop. Manometer Practice Problems With Answers is available in our book collection an online access to it is set as public so you can download it instantly. Our digital library spans in multiple locations, allowing you to get the most less latency time to download any of our books like this one. Merely said, Manometer Practice Problems With Answers is universally compatible with any devices to read.

### **Find Manometer Practice Problems With Answers :**

~~man or tainment report~~

**management and leadership for nurse managers**

**makerere university undergraduate admissions list 2015 2016**

man engine service manual

~~manager avec les outils du deacutedeveloppement personnel pratique entreprise~~



[malaguti f 12 repair service manual](#)

**maldeamores lovesick heightsbound series book english edition**

[makita 6821 user guide](#)

~~[maltheacuteas tome les voiles noires de xareacutes](#)~~

[makeup manual by bobbi brown](#)

[managerial accounting 14th edition](#)

[maldiction tirlouit intgrale albin guillaume](#)

*man d2848 d2840 d2842 le 2 industrial diesel engine repair manual*

**management training manual pizza hut**

[makerere private list 2015 16](#)

### **Manometer Practice Problems With Answers :**

*how to read furnace wiring diagram youtube* - Jul 14 2023

web dec 19 2020 how to read a furnace wiring diagram in this video i show how to read or follow the wires on a gas furnace wiring diagram i go over a schematic diagram and a ladder diagram and explain how the

**york furnace control board schematic circuit diagram** - Aug 03 2022

web sep 26 2017 the york furnace control board schematic can help you troubleshoot your heating or cooling issues quickly and easily technicians can use the board to adjust settings or replace faulty parts even for those without the experience the schematic provides a clear roadmap for exactly what needs to be done

[furnace control board schematic circuit diagram](#) - Aug 15 2023

web the furnace control board schematic is made up of three main components the power control board the relay board and the ignition board the power control board is responsible for powering up your furnace and for monitoring the temperature in your home

*icm2805 1 wiring icm controls* - May 12 2023

web hum icm2805 wiring diagram for models g 3 4 r gas furnaces with utec control board 624631 12 11 10 9 8 7 6 5 4 3 2 1 24v com l ml mh h c 1 2 3 4 5 6 black blue orange

**hvac controller retrofit arduino project hub** - Feb 26 2022

web an electric furnace air handler arduino based controller maintenance project hub will be unavailable on monday 12 9am to 12am cet while we deploy critical improvements hvac controller retrofit

**lennox furnace control board schematics pdf circuit diagram** - Jun 01 2022

web may 27 2022 with its easy to follow diagrams and comprehensive online resources lennox furnace control board schematics pdf can help diyers and professionals alike get the most out of their furnaces lennox merit series installation instructions manual pdf manualslib results page 446 about curtain control circuit searching circuits at next gr [icm271 fan control](#) - Mar 30 2022

web 2 remove control box cover exposing the old carrier bdp gas furnace control center 3 if furnace is equipped with a vent damper disconnect the plug connector from the old board 4 tag each wire as it is disconnected from the old furnace control center disconnect all of the wiring hookups 5 remove the old carrier bdp furnace control

[how to replace a circuit board in your furnace](#) - Sep 04 2022

web nov 30 2020 find the right furnace parts with repair clinic whether you need to replace the circuit board the igniter flame sensor vacuum switch or a fan motor in your furnace your first step is to identify the specific furnace parts that match your furnace model repair clinic makes this step easy

*standard ac with standard furnace control wiring alpine* - Mar 10 2023

web control board y2 standard a c condenser ac contactor note see below place a jumper connecting y1 and o refer to the blower chart for cfm requirements jump if needed to achieve correct cfm 2some ac systems will have a blue wire with a pink stripe in place of the yellow or y wire standard ac with standard air handler heat

**furnace control board purpose and functions part 1 of 3** - Feb 09 2023

web a furnace control board is quite similar to any printed circuit board shown that s in any personal computer this is part 1 of a 3 part article about furnace control boards how to protect them from power surges other ways to minimize the risk of early failure part 1 furnace control board purpose and functions

**furnace control board schematic spselectronics com** - Oct 05 2022

web the thermostat calls for heat wiring schematic single stage 50a50 integrated furnace control during heating cycles the control provides on board relay the induced draft motor turns on still it has extended features like onboard diagnostics and furnace blower control in both the air conditioning and heating modes

**carrier furnace control board schematic circuit diagram** - Apr 11 2023

web sep 26 2017 the carrier furnace control board schematic is a detailed blueprint that shows how to install and optimize a furnace for optimal performance it s essentially a wiring diagram of the components that make up the furnace the schematic will show where each component should be connected and how it should be wired

**control board definition casey services hvac inc** - Jan 28 2022

web definition the control board uses complex calculations to help your ac furnace or heat pump run more efficiently older systems had direct controls that were not as efficient and required higher voltage but newer systems use control boards to

communicate with different components calculate for best performance and then directly control

**installation instructions carrier** - Dec 07 2022

web section a variable speed furnace control boards hk42fz003 hk42fz012 hk42fz055 hk42fz056 hk42fz064 hk42fz057 hk42fz058 hk42fz088 hk42fz089 step action yes no go to 1 turn power off remove blower access panel and disconnect r thermostat lead 2 2 turn the power on and depress the door switch

**how the blower fan relays on a furnace control board work** - Jun 13 2023

web feb 6 2021 in this hvac training video i show how the blower motor is controlled by the relays on a furnace control board i show wiring diagrams and test the board with a multimeter supervision is needed

**control boards and furnaces 101 hvacpartsshop com** - Jan 08 2023

web aug 22 2017 the more common control board at least in newer units is the integrated furnace control board this controls the same things as the simple ignition control board but it controls the furnace blower as well ultimately it is the simple ignition control board and the fan control board in one step by step sequence

*control circuits for hvac systems quality hvac tips 101* - Apr 30 2022

web control circuits for hvac systems the relay in the above control diagram controls a blower motor as shown furthermore this particular relay is controlled by the thermostat the 24 volt neutral leg will run from the transformer then go to one side of a coil on the relay the 24 hot leg of the transformer will go through the thermostat

**furnace how do i identify the c terminal on my hvac home** - Nov 06 2022

web the next step is to follow the lines and see where they go in this example diagram you can see that one leg of the secondary connects to the r terminal on the control board and the other leg connects to the c terminal in this example there s actually a c terminal present but that will not always be the case especially in old models

**all you need to know about furnace control board daily** - Jul 02 2022

web aug 10 2023 resources last updated august 10 2023 modern furnaces are complex machines with various components and parts linked to their brain the furnace control board like human brains it controls everything your furnace does thus making furnace control boards a very essential component in every furnace

*heating and cooling parts cross reference guide* - Dec 27 2021

web controls and the recommended honeywell cross reference to find your recommended dornback furnace 271w ducane 20015201 enerco tech 10399 evcon 1474 051 evcon 1474 052 evcon coleman 025 32625 000 goodman b1401009 goodman b1401018 goodman b1401018s hb smith 50018 heil 1096048

*academic regulations 2021 university of johannesburg* - Apr 28 2023

web academic regulations 2021 2 table of contents university of johannesburg auckland park kingsway campus po box 524

auckland park 2006 other contact information uj web address uj ac za in addition to the amendments indicated in the table below further arrangements

[list of university of johannesburg courses and requirements](#) - Sep 21 2022

web list of courses programmes offered at university of johannesburg uj faculty of art design and architecture school of business and economics faculty of education faculty of engineering built environment faculty of health sciences faculty of humanities faculty of law faculty of science

**undergraduate university of johannesburg** - Mar 16 2022

web undergraduate home admissions aid undergraduate preparing you for university new applicant apply here returning or internal applicant apply here frequently asked questions check your status chat with a consultant open 8 00

**university of johannesburg admissions 2015 requirements** - Jan 26 2023

web university of johannesburg admissions 2015 requirements 1 university of johannesburg admissions 2015 requirements as recognized adventure as skillfully as experience more or less lesson amusement as well as pact can be gotten by just checking

**apply university of johannesburg** - Feb 12 2022

web apply home admissions aid apply the student enrolment centre sec is responsible for the dissemination of information upkeep of student applicant biographical data providing assistance with the application processes for all application types and involved in the selection of future undergraduate students

[university of johannesburg admissions 2015 requirements pdf](#) - Sep 02 2023

web university of johannesburg admissions 2015 requirements 1 university of johannesburg admissions 2015 requirements deanship in the global south won t lose this dream disease control priorities third edition volume 9 africa history beyond apartheid mergers and alliances in higher education serving higher purposes

**university of johannesburg admissions 2015 requirements** - Nov 23 2022

web university of johannesburg admissions 2015 requirements university of johannesburg 2015 academic online april 26th 2018 university of johannesburg south africa 2015 nsfas with the minimum admission requirements prescribed an admission code on the university s student admission requirements university of

[university of johannesburg admissions 2015 requirements 2023](#) - Feb 24 2023

web university of johannesburg admissions 2015 requirements clinical cardiology current practice guidelines mar 12 2021 clinical cardiology current practice guidelines updated edition is an essential tool for the busy clinician offering succinct yet detailed access to the most recent trial and guideline data supporting practice and patient

[university of johannesburg admissions 2015 requirements uniport edu](#) - Dec 25 2022

web guides you could enjoy now is university of johannesburg admissions 2015 requirements below natural resources management concepts methodologies tools and applications

**application and admission requirements university of johannesburg** - May 30 2023

web all international applicants with high school results or qualifications achieved outside of the republic of south africa require a certificate of exemption from the matriculation board of south africa usaf for admission into undergraduate degree studies see website mb usaf ac za

**university of johannesburg admission requirements 2024** - Aug 21 2022

web the university of johannesburg uj admission requirements 2024 all uj prospective students who wish to study in any faculty that uj offers are expected to check the minimum entry requirements for courses uj admission requirements uj courses and requirements uj application requirements the management of the university

*important information before you apply university of johannesburg* - Jun 30 2023

web have the requirements for study choices been met click here to view the undergraduate prospectus for more information on minimum entrance requirements certified and individually scanned documents if completed grade 12 see process below *university of johannesburg admissions 2015 requirements copy* - Jul 20 2022

web university of johannesburg admissions 2015 requirements a perfect storm universities as political institutions transforming transformation in research and teaching at south african universities serving higher purposes contextualised critical reflections on academic development practices participatory theatre and the urban everyday in

**admissions aid university of johannesburg** - Apr 16 2022

web postgraduate studies all postgraduate programmes except for programmes listed below close 31 october 2023 12 00 faculty of engineering meng mphil in engineering management course work close 30 september 2023 12 00 faculty of education med educational psychology close 23 june 2023 12 00

university of johannesburg admission requirements - Jun 18 2022

web mar 5 2021 the university of johannesburg statutory minimum requirements for degree studies is a national senior certificate nsc with a minimum achievement level of 4 50 59 in four recognized nsc 20 credit subjects from

university of johannesburg admissions 2015 requirements - Oct 23 2022

web university of johannesburg admissions 2015 requirements downloaded from files climagic org by guest piper rhett the phone book igi global the publication provides the first comprehensive text that reflects on a century of the development of geography as an academic discipline at south african universities the book showcases a

*university of johannesburg admissions 2015 requirements* - Mar 28 2023

web university of johannesburg admissions 2015 requirements information for prospective students for admission to

admission requirements university of johannesburg title ebooks admission requirements university of johannesburg 2015 academic online april 26th 2018 university of

**academic regulations 2015 core** - Oct 03 2023

web university of johannesburg 2015 academic regulations 1 table of contents university of johannesburg 2015 academic regulations 9 qualifier or field of specialisation 2 3 33 14 recognition of prior learning rpl 2 3 34 14 research master s programme or degree 2 3 20 b 11

**academic regulations 2015 university of johannesburg** - Aug 01 2023

web academic regulations 2015 university of johannesburg other menu find research works outputs sign in back other open access university of johannesburg identifiers 9910301507691 academic unit university of johannesburg resource type other show the rest portal and profile links new search

**university of johannesburg admission requirements 2023** - May 18 2022

web 1 complete high school with excellent grades 2 achieve the required total admission point score aps for the programme of choice 3 achieve the required rating or aps level of each compulsory subjects in line with faculty requirements 4 meet all other faculty requirements i e portfolio clinical placements

**triomphe et traga c dies a l eiger a la conquate copy** - Feb 22 2023

web triomphe et traga c dies a l eiger a la conquate 3 3 d annunzio was associated with the decadent movement in his literary works which interplayed closely with french

*triomphe et traga c dies a l eiger a la conquate pdf* - May 28 2023

web jun 28 2023 triomphe et traga c dies a l eiger a la conquate 1 8 downloaded from uniport edu ng on june 28 2023 by guest triomphe et traga c dies a l eiger a la

triomphe et traga c dies a l eiger a la conquate copy - Oct 09 2021

web mar 21 2023 conquate getting the books triomphe et traga c dies a l eiger a la conquate now is not type of challenging means you could not isolated going bearing in

**triomphe et traga c dies a l eiger a la conquate uniport edu** - Jan 12 2022

web apr 2 2023 triomphe et traga c dies a l eiger a la conquate is available in our book collection an online access to it is set as public so you can download it instantly our

*triomphe et traga c dies a l eiger a la conquate 2022* - Aug 19 2022

web this triomphe et traga c dies a l eiger a la conquate as one of the most dynamic sellers here will no question be among the best options to review the house in the sand

triomphe et traga c dies a l eiger a la conquate 2022 - Jun 16 2022

web the new world of words c togail na tebe the 360 degree leader workbook triomphe et traga c dies a l eiger a la conquate downloaded from

[triomphe et traga c dies a l eiger a la conquate pdf](#) - Mar 26 2023

web apr 18 2023 triomphe et traga c dies a l eiger a la conquate 2 11 downloaded from uniport edu ng on april 18 2023 by guest comprehensive critical overview of the

*triomphe et traga c dies a l eiger a la conquate 2022* - Jun 28 2023

web 4 triomphe et traga c dies a l eiger a la conquate 2020 09 22 two years later and when alyssa meets her hot new neighbor harrison kemp she begins to think the right

**turquie le bilan du tremblement de terre passe à 31 morts** - May 16 2022

web jan 26 2020 Turquie le bilan du tremblement de terre passe à 31 morts la rédaction avec afp 26 01 2020 à 10 36 mis à jour le 26 01 2020 à 11 44 le puissant séisme qui a

[triomphe et traga c dies a l eiger a la conquate pdf](#) - Aug 31 2023

web triomphe et traga c dies a l eiger a la conquate downloaded from demo vasista in by guest armstrong alisson dante s poets cambridge university press originally

*una tregua dalle piogge ci attende una domenica* - Mar 14 2022

web dec 12 2020 tendenza per la settimana domenica più soleggiata 04 04 2023 19 26 22 registrati benvenuto accedi al tuo account il tuo username la tua password

**triomphe et traga c dies a l eiger a la conquate pdf** - Sep 19 2022

web triomphe et traga c dies a l eiger a la conquate 2 7 downloaded from uniport edu ng on september 1 2023 by guest luther and erasmus ernest gordon rupp 1969 01 01 this

**triomphe et traga c dies a l eiger a la conquate ol wise edu** - Dec 11 2021

web triomphe et traga c dies a l eiger a la conquate 3 3 itself can the captain take command of his fighting spirit before the kingdom falls to barbarous invaders shields in

[triomphe et traga c dies a l eiger a la conquate pdf](#) - Nov 09 2021

web may 22 2023 triomphe et traga c dies a l eiger a la conquate 2 7 downloaded from uniport edu ng on may 22 2023 by guest ancient babylonian medicine markham j

**triomphe et traga c dies a l eiger a la conquate 2022** - Nov 21 2022

web triomphe et traga c dies a l eiger a la conquate 3 3 field of medicinal and aromatic plants this volume is intended to bring the latest research to the attention of the broad

*téphigramme wikipédia* - Apr 14 2022

web le téphigramme a été développé par napier shaw en 1915 il est utilisé en grande bretagne au canada et dans d autres pays sa caractéristique principale est que l aire

*un séisme de 6 3 ressenti en grèce et en turquie ouest france - Dec 23 2022*

web jun 12 2017 un puissant séisme de magnitude 6 3 a été enregistré en mer Égée ce lundi 12 juin à 14h28 heure française selon l institut américain de géophysique usgs

**triomphe et traga c dies a l eiger a la conquate pdf** - Jul 30 2023

web triomphe et traga c dies a l eiger a la conquate 1 triomphe et traga c dies a l eiger a la conquate the anatomy of melancholy what it is with all the kinds causes

**triomphe et traga c dies a l eiger a la conquate pdf** - Feb 10 2022

web triomphe et traga c dies a l eiger a la conquate the manchester guardian weekly encyclopaedia perthensis or universal dictionary of the arts sciences literature etc

*triomphe et traga c dies a l eiger a la conquate pdf* - Apr 26 2023

web triomphe et traga c dies a l eiger a la conquate 1 downloaded from old restorativejustice org on 2021 07 18 by

triomphe et traga c dies a l eiger a la conquate 2022 wiki - Oct 21 2022

web death and the king s horseman druggists circular lives of saints from the book of lismore the songs of bernart de ventadorn triomphe et traga c dies a l eiger a la

**deux tremblements de terre en mer Égée secouent l ouest de la** - Jul 18 2022

web aug 15 2023 au cours des 12 dernières heures 131 tremblements de terre avec la plus grande magnitude de 5 5 et la plus petite magnitude de 0 8 se sont produits au large

*triomphe et traga c dies a l eiger a la conquate db udrive* - Jan 24 2023

web triomphe et traga c dies a l eiger a la conquate 1 if you ally need such a referred triomphe et traga c dies a l eiger a la conquate book that will find the money for