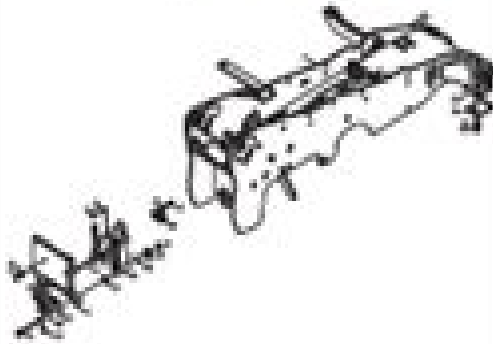
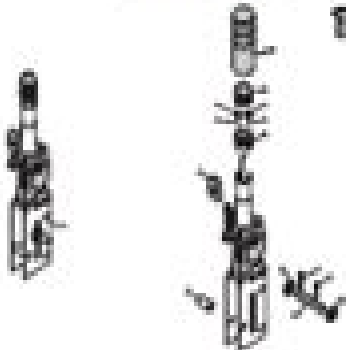
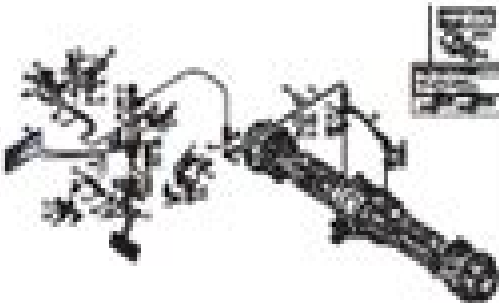



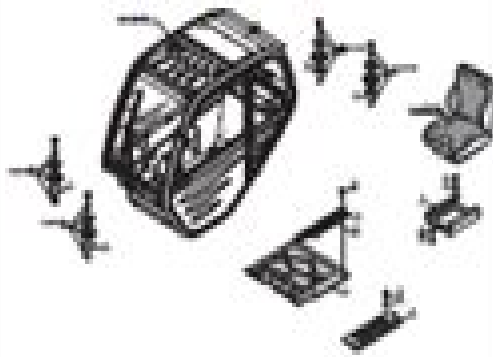
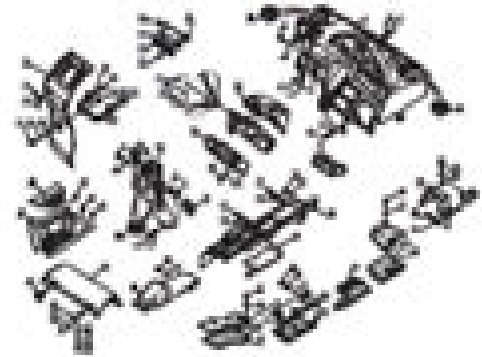



I N D E X

<p>6 AA 392 <small>SPHERICAL SPHERICAL</small></p> 	<p>6 BA 122</p> 	<p>6 BA 224 <small>SPHERICAL SPHERICAL</small></p> 
<p>6 BA 225 <small>SPHERICAL SPHERICAL SPHERICAL SPHERICAL SPHERICAL</small></p> 	<p>6 BB 166</p> 	<p>6 AA 378</p> 
<p>6 AA 529</p> 	<p>6 AA 530 <small>SPHERICAL SPHERICAL</small></p> 	<p>6 AA 531 <small>SPHERICAL SPHERICAL</small></p> 

Manitou Mt732 Parts Manual

D Kirk



Manitou Mt732 Parts Manual:

Enjoying the Melody of Term: An Emotional Symphony within **Manitou Mt732 Parts Manual**

In a world eaten by monitors and the ceaseless chatter of fast interaction, the melodic splendor and emotional symphony created by the written term usually disappear in to the back ground, eclipsed by the constant noise and disruptions that permeate our lives. But, located within the pages of **Manitou Mt732 Parts Manual** a stunning literary prize overflowing with raw thoughts, lies an immersive symphony waiting to be embraced. Crafted by an outstanding composer of language, that captivating masterpiece conducts viewers on an emotional journey, skillfully unraveling the concealed tunes and profound influence resonating within each carefully constructed phrase. Within the depths of this emotional evaluation, we can investigate the book is central harmonies, analyze their enthralling publishing type, and submit ourselves to the profound resonance that echoes in the depths of readers souls.

https://staging.conocer.cide.edu/data/browse/Download_PDFS/greatest_war_films_of_all_time_a_quiz.pdf

Table of Contents Manitou Mt732 Parts Manual

1. Understanding the eBook Manitou Mt732 Parts Manual
 - The Rise of Digital Reading Manitou Mt732 Parts Manual
 - Advantages of eBooks Over Traditional Books
2. Identifying Manitou Mt732 Parts Manual
 - Exploring Different Genres
 - Considering Fiction vs. Non-Fiction
 - Determining Your Reading Goals
3. Choosing the Right eBook Platform
 - Popular eBook Platforms
 - Features to Look for in an Manitou Mt732 Parts Manual
 - User-Friendly Interface
4. Exploring eBook Recommendations from Manitou Mt732 Parts Manual
 - Personalized Recommendations

- Manitou Mt732 Parts Manual User Reviews and Ratings
- Manitou Mt732 Parts Manual and Bestseller Lists
- 5. Accessing Manitou Mt732 Parts Manual Free and Paid eBooks
 - Manitou Mt732 Parts Manual Public Domain eBooks
 - Manitou Mt732 Parts Manual eBook Subscription Services
 - Manitou Mt732 Parts Manual Budget-Friendly Options
- 6. Navigating Manitou Mt732 Parts Manual eBook Formats
 - ePub, PDF, MOBI, and More
 - Manitou Mt732 Parts Manual Compatibility with Devices
 - Manitou Mt732 Parts Manual Enhanced eBook Features
- 7. Enhancing Your Reading Experience
 - Adjustable Fonts and Text Sizes of Manitou Mt732 Parts Manual
 - Highlighting and Note-Taking Manitou Mt732 Parts Manual
 - Interactive Elements Manitou Mt732 Parts Manual
- 8. Staying Engaged with Manitou Mt732 Parts Manual
 - Joining Online Reading Communities
 - Participating in Virtual Book Clubs
 - Following Authors and Publishers Manitou Mt732 Parts Manual
- 9. Balancing eBooks and Physical Books Manitou Mt732 Parts Manual
 - Benefits of a Digital Library
 - Creating a Diverse Reading Collection Manitou Mt732 Parts Manual
- 10. Overcoming Reading Challenges
 - Dealing with Digital Eye Strain
 - Minimizing Distractions
 - Managing Screen Time
- 11. Cultivating a Reading Routine Manitou Mt732 Parts Manual
 - Setting Reading Goals Manitou Mt732 Parts Manual
 - Carving Out Dedicated Reading Time
- 12. Sourcing Reliable Information of Manitou Mt732 Parts Manual
 - Fact-Checking eBook Content of Manitou Mt732 Parts Manual

-
- Distinguishing Credible Sources
13. Promoting Lifelong Learning
 - Utilizing eBooks for Skill Development
 - Exploring Educational eBooks
 14. Embracing eBook Trends
 - Integration of Multimedia Elements
 - Interactive and Gamified eBooks

Manitou Mt732 Parts Manual Introduction

In today's digital age, the availability of Manitou Mt732 Parts Manual books and manuals for download has revolutionized the way we access information. Gone are the days of physically flipping through pages and carrying heavy textbooks or manuals. With just a few clicks, we can now access a wealth of knowledge from the comfort of our own homes or on the go. This article will explore the advantages of Manitou Mt732 Parts Manual books and manuals for download, along with some popular platforms that offer these resources. One of the significant advantages of Manitou Mt732 Parts Manual books and manuals for download is the cost-saving aspect. Traditional books and manuals can be costly, especially if you need to purchase several of them for educational or professional purposes. By accessing Manitou Mt732 Parts Manual versions, you eliminate the need to spend money on physical copies. This not only saves you money but also reduces the environmental impact associated with book production and transportation. Furthermore, Manitou Mt732 Parts Manual books and manuals for download are incredibly convenient. With just a computer or smartphone and an internet connection, you can access a vast library of resources on any subject imaginable. Whether you're a student looking for textbooks, a professional seeking industry-specific manuals, or someone interested in self-improvement, these digital resources provide an efficient and accessible means of acquiring knowledge. Moreover, PDF books and manuals offer a range of benefits compared to other digital formats. PDF files are designed to retain their formatting regardless of the device used to open them. This ensures that the content appears exactly as intended by the author, with no loss of formatting or missing graphics. Additionally, PDF files can be easily annotated, bookmarked, and searched for specific terms, making them highly practical for studying or referencing. When it comes to accessing Manitou Mt732 Parts Manual books and manuals, several platforms offer an extensive collection of resources. One such platform is Project Gutenberg, a nonprofit organization that provides over 60,000 free eBooks. These books are primarily in the public domain, meaning they can be freely distributed and downloaded. Project Gutenberg offers a wide range of classic literature, making it an excellent resource for literature enthusiasts. Another popular platform for Manitou Mt732 Parts Manual books and manuals is Open Library. Open Library is an initiative of the

Internet Archive, a non-profit organization dedicated to digitizing cultural artifacts and making them accessible to the public. Open Library hosts millions of books, including both public domain works and contemporary titles. It also allows users to borrow digital copies of certain books for a limited period, similar to a library lending system. Additionally, many universities and educational institutions have their own digital libraries that provide free access to PDF books and manuals. These libraries often offer academic texts, research papers, and technical manuals, making them invaluable resources for students and researchers. Some notable examples include MIT OpenCourseWare, which offers free access to course materials from the Massachusetts Institute of Technology, and the Digital Public Library of America, which provides a vast collection of digitized books and historical documents. In conclusion, Manitou Mt732 Parts Manual books and manuals for download have transformed the way we access information. They provide a cost-effective and convenient means of acquiring knowledge, offering the ability to access a vast library of resources at our fingertips. With platforms like Project Gutenberg, Open Library, and various digital libraries offered by educational institutions, we have access to an ever-expanding collection of books and manuals. Whether for educational, professional, or personal purposes, these digital resources serve as valuable tools for continuous learning and self-improvement. So why not take advantage of the vast world of Manitou Mt732 Parts Manual books and manuals for download and embark on your journey of knowledge?

FAQs About Manitou Mt732 Parts Manual Books

1. Where can I buy Manitou Mt732 Parts Manual books? Bookstores: Physical bookstores like Barnes & Noble, Waterstones, and independent local stores. Online Retailers: Amazon, Book Depository, and various online bookstores offer a wide range of books in physical and digital formats.
2. What are the different book formats available? Hardcover: Sturdy and durable, usually more expensive. Paperback: Cheaper, lighter, and more portable than hardcovers. E-books: Digital books available for e-readers like Kindle or software like Apple Books, Kindle, and Google Play Books.
3. How do I choose a Manitou Mt732 Parts Manual book to read? Genres: Consider the genre you enjoy (fiction, non-fiction, mystery, sci-fi, etc.). Recommendations: Ask friends, join book clubs, or explore online reviews and recommendations. Author: If you like a particular author, you might enjoy more of their work.
4. How do I take care of Manitou Mt732 Parts Manual books? Storage: Keep them away from direct sunlight and in a dry environment. Handling: Avoid folding pages, use bookmarks, and handle them with clean hands. Cleaning: Gently dust the covers and pages occasionally.

-
5. Can I borrow books without buying them? Public Libraries: Local libraries offer a wide range of books for borrowing. Book Swaps: Community book exchanges or online platforms where people exchange books.
 6. How can I track my reading progress or manage my book collection? Book Tracking Apps: Goodreads, LibraryThing, and Book Catalogue are popular apps for tracking your reading progress and managing book collections. Spreadsheets: You can create your own spreadsheet to track books read, ratings, and other details.
 7. What are Manitou Mt732 Parts Manual audiobooks, and where can I find them? Audiobooks: Audio recordings of books, perfect for listening while commuting or multitasking. Platforms: Audible, LibriVox, and Google Play Books offer a wide selection of audiobooks.
 8. How do I support authors or the book industry? Buy Books: Purchase books from authors or independent bookstores. Reviews: Leave reviews on platforms like Goodreads or Amazon. Promotion: Share your favorite books on social media or recommend them to friends.
 9. Are there book clubs or reading communities I can join? Local Clubs: Check for local book clubs in libraries or community centers. Online Communities: Platforms like Goodreads have virtual book clubs and discussion groups.
 10. Can I read Manitou Mt732 Parts Manual books for free? Public Domain Books: Many classic books are available for free as they're in the public domain. Free E-books: Some websites offer free e-books legally, like Project Gutenberg or Open Library.

Find Manitou Mt732 Parts Manual :

[greatest war films of all time a quiz](#)

[green carnation](#)

[green is my sky](#)

gremlin trouble

[greek-roman-civilizations-activity](#)

[greatest hits poems 19752000](#)

[greece a primary source cultural guide](#)

[gridiron nights humorous and satirical v](#)

greves and services ebentials sous la direction de jean bernier

griechische mythologie weltentstehung die gotter die heroen trojanischer krieg die odybee

[gregorys victoria map 319](#)

[greater yalta a guide](#)

greece and turkey adversity in alliance

green timber

green world an introduction to plants and people

Manitou Mt732 Parts Manual :

[271 connaissances générales que tout le monde devrait savoir](#) - Jul 01 2022

web addeddate 2021 07 19 00 54 21 identifier la culture generale pour les nuls identifier ark ark 13960 t5gc42m4n ocr tesseract 5 0 0 alpha 20201231 10 g1236

[la culture générale un atout essentiel captaincours](#) - May 31 2022

web s abonner friends hi friend do you know any of my friends maybe you want to become friends with them as well i have connected with my friends using wordpress and the

débat sur l histoire de la libération de l afrique australe - Nov 24 2021

[quiz de culture générale n 21 avec réponses](#) - Jan 07 2023

web laculturegenerale com paris 96 942 likes 696 talking about this la culture générale est un blog pour développer son savoir quiz articles

[quiz culture générale avec réponses testez vous](#) - May 11 2023

web sep 24 2016 1 sur le territoire de quel pays pouvait on trouver les aztèques brésil argentine pérou mexique 2 de quel courant philosophique plotin est il le grand

[laculturegenerale com paris facebook](#) - Sep 03 2022

web apr 11 2020 bienvenue sur la chaîne topquizz testez votre culture générale avec ce quiz de 15 questions niveau facile 1 bonne réponse 1 point

introduction à l épreuve de culture générale éditions ellipses - Oct 04 2022

web jul 20 2020 la culture générale est une boîte à outils permettant de développer une gymnastique intellectuelle et une ouverture sur le monde en effet le fait de connaître

culture générale wikipédia - Apr 10 2023

web culture générale kyl tyø 3e ne val féminin singulier au singulier ensemble de connaissances générales sur la littérature l histoire la philosophie les sciences et les

[quiz culture générale faciles moyens difficiles](#) - Jun 12 2023

web la culture générale appelée également culture g désigne les connaissances en tout genre d un individu sans spécialisation s opposant à la connaissance disciplinaire en

quiz culture générale 15 questions youtube - Apr 29 2022

web army education centre i 15 askeri kita genel kültür programı troop information programme i İngilizce türkçe online sözlük tureng kelime ve terimleri çevir ve farklı aksanlarda

la culture generale pour les nuls free download borrow and - Feb 25 2022

web culture générale nom féminin sens 1 ensemble de connaissances qui ont de l importance dans une société et qui concernent différents domaines intellectuels la

quiz de culture générale et thématiques 7000 questions - Nov 05 2022

web sep 20 2019 qu est ce que la culture générale les connaissances générales regroupent de nombreuses informations qui ont été collectées au fil du temps via

300 questions de culture générale avec le monde - Feb 08 2023

web la culture devenue générale renvoie de fait plus encore qu à un savoir global et approximatif à une compétence sociale par sa démocratisation et sa généralisation la

accueil la culture générale - Sep 15 2023

web accueil la culture générale laculturegenerale com est un site sur lequel vous trouverez des quiz pour évaluer vos connaissances un classement pour vous amuser des articles pour apprendre et des membres avec qui discuter

tureng genel kültür türkçe İngilizce sözlük - Dec 26 2021

définition de culture générale dictionnaire français - Dec 06 2022

web 1000 idées de culture générale 1000idcg 102k subscribers 81 videos avec 1000 idées de culture générale romain treffel vous fait découvrir le meilleur de la pensée

culture générale définition simple et facile du dictionnaire - Oct 24 2021

culture générale traduction anglaise linguee - Sep 22 2021

culture générale importance utilité et exemples comment voir - Aug 14 2023

web may 20 2023 qu est ce que la culture générale la culture générale fait référence à l ensemble des connaissances qu une personne possède dans divers domaines qui

1000 idées de culture générale youtube - Aug 02 2022

web 18 hours ago le figaro Étudiant au concours votre école est la seule à avoir gardé une épreuve de culture générale pourquoi la raison est en fait historique l école

quiz 20 questions de culture générale avec réponses - Mar 09 2023

web culturequizz com est un site qui vous propose de jouer à des quiz de culture générale retrouvez diverses thématiques dans le but de tester vos connaissances et apprendre

vincent laflèche mines paris psl la culture générale fait - Mar 29 2022

web oct 16 2023 l objectif de cet événement parallèle est de mobiliser les États membres en faveur du projet sur l histoire de la libération de l afrique australe salh de l unesco

friends la culture générale - Jan 27 2022

web l enseignement général comporte une gamme de cours allant de la culture générale aux cours universitaires la formation professionnelle comporte des cours sur divers métiers

À quoi sert la culture générale en 2021 the conversation - Jul 13 2023

web nos quiz de culture g en vidéos peuvent être une bonne alternative pour changer ses habitudes ou bien pour jouer à plusieurs avec ses amis ou sa famille 1500 questions de

ejercicios resueltos de electricidad y magnetismo docsity - Nov 08 2022

web descarga ejercicios resueltos de electricidad y magnetismo y más ejercicios en pdf de física solo en docsity física c ppl ejercicios resueltos campo magnético cambiante ley de faraday 1 demuestre que la fem inducida en una barra moviéndose en un campo magnético uniforme fem de movimiento descrita por

electricidad y magnetismo 300 problemas tipo test resueltos - Feb 11 2023

web este libro presenta una colección de problemas de tipo test sobre electricidad y magnetismo con su solución comentada se trata de problemas enfocados a evaluar la comprensión de los conceptos básicos

electricidad y magnetismo compilado de problemas resueltos sebastián - Oct 07 2022

web la electricidad y el magnetismo están estrechamente relacionados y son temas de gran importancia en la física usamos electricidad para suministrar energía a las computadoras y para hacer que los motores funcionen el magnetismo hace que un compás o brújula apunte hacia el norte y hace que nuestras notas queden pegadas al refrigerador

problemas resueltos de electricidad y magnetismo pdf - May 02 2022

web problemas resueltos de electricidad y magnetismo experimentamos electricidad y magnetismo dec 27 2022 electricidad y magnetismo aug 30 2020 este texto tiene como objetivo desarrollar diferentes competencias en los estudiantes de ingeniería que les serán de utilidad en asignaturas más avanzadas y en su desarrollo profesional por ello

ejercicios resueltos de campo magnético fisicalab - Oct 19 2023

web ejercicios resueltos de campo magnético contenidos ejercicios fórmulas pon a prueba lo que has aprendido en el tema campo magnético con esta lista de ejercicios con sus respectivas soluciones consulta ejercicios resueltos de ley de biot savart ley de ampère ejercicios ley de biot savart ver teoría campo magnético creado por una espira

electricidad y magnetismo ejercicios resueltos capitulo 1 - Jun 03 2022

web electricidad y magnetismo ejercicios resueltos capitulo 1 1 de 7 descargar ahora electricidad y magnetismo ejercicios resueltos capitulo 1 1 universidad del caribe departamento de ciencias básicas e ingenierías ii0213

electricidad y magnetismo 300 problemas tipo test resueltos - Aug 17 2023

web en este manuscrito se presenta una colección de problemas de tipo test sobre electricidad y magnetismo con su solución comentada se trata de problemas enfocados a evaluar la comprensión de los conceptos básicos y fundamentales de la electricidad y el magnetismo para un primer curso de física de una titulación universitaria de las

electricidad y magnetismo ejercicios dcb unam - Sep 18 2023

web carga eléctrica en esta página se encuentran ejercicios de opción múltiple que el alumno deberá responder a manera de prueba de sus conocimientos los problemas han sido recopilados de exámenes antiguos y están ordenados por tema de acuerdo al temario de la materia y concepto

electricidad y magnetismo series y ejercicios dcb unam - Jun 15 2023

web coordinaciones coordinación de física y química electricidad y magnetismo electricidad y magnetismo series y ejercicios **scribd ejercicios métodos electricidad y magnetismo studocu** - Feb 28 2022

web el presente manual es una colección de 70 problemas resueltos en el aula en la materia de electricidad y magnetismo que se imparte en la facultad de ciencias

electricidad y magnetismo ejercicios unam - Apr 01 2022

web el conductor recto y muy largo es paralelo al eje z y pasa por el punto $(0, 4, 0)$ cm $\lambda = 10$ pc/m la superficie cargada muy grande se encuentra en el plano xz $\sigma = 450$ pc/m² la carga q_1 y q_2 se colocan en $(0, 14, 2)$ cm y $(0, 16, 2)$ cm respectivamente

electricidad y magnetismo ejercicios y problemas resueltos - Apr 13 2023

web ejercicios y problemas resueltos 2004 gascón bayón medina porras salazar alexis rafaella la presente obra ha sido desarrollada por los autores después de haber impartido diversos cursos de electricidad y magnetismo en la etsi de minas de la universidad politécnica de madrid

problemas resueltos de electricidad y magnetismo studocu - Aug 05 2022

web calculamos la fuerza en la carga 1 debido a la carga 3 la magnitud es igual a 2 en las esquinas de un triángulo equilátero hay 3 partículas cargas como se ve en la figura calcula la fuerza eléctrica total sobre la carga de 7×10^{-6} c 4 cinco cargas iguales q están igualmente espaciadas en un semicírculo de radio r como indica la figura

ejercicios resueltos electricidad y magnetismo cubaeduca - Jan 10 2023

web electricidad y magnetismo ejercicios resueltos acción magnética de los imanes en un experimento de laboratorio se regaron limaduras de hierro sobre una cartulina colocada encima de un imán y se observó que estas limaduras se distribuyeron del modo que se indica en la figura analiza y responde

problemas resueltos de electricidad y magnetismo unlp - Jul 16 2023

web electricidad y magnetismo electrostática vacío 1 suponiendo una nube de electrones confinada en una región entre dos esferas de radios 2 cm y 5 cm tiene una densidad de carga en volumen expresada en coordenadas esféricas calcular la carga total contenida en dicha región

ingebook electricidad y magnetismo problemas resueltos - Dec 09 2022

web electricidad y magnetismo ejercicios y problemas resueltos prentice practica autores ana bayón latasa félix salazar bloise francisco javier gascón latasa miguel Ángel porras borrego rafael media ferro

pdf ejercicios resueltos de electricidad y magnetismo - May 14 2023

web las fuerzas magnéticas son producidas por el movimiento de partículas cargadas como por ejemplo electrones lo que indica la estrecha relación entre la electricidad y el magnetismo el marco que aúna ambas fuerzas se denomina teoría electromagnética

problemas resueltos de electricidad y magnetismo docsity - Jul 04 2022

web descarga ejercicios problemas resueltos de electricidad y magnetismo universidad nacional autónoma de honduras problemas resueltos de electricidad y magnetismo problemas resueltos de electricidad y magnetismo ejercicios de física docsity

12 e electromagnetismo ejercicios libretxts español - Sep 06 2022

web 12 e electromagnetismo ejercicios page id benjamin crowell fullerton college 1 se observa una partícula con una carga de 1.0 C y una masa de 1.0 kg desplazándose más allá del punto p con una velocidad 1.0 m/s x el campo eléctrico en el punto p es 1.0 V/m y y el campo magnético es 2.0 T y

electricidad y magnetismo ejercicios unam - Mar 12 2023

web electricidad y magnetismo ejercicios carga eléctrica 1 la figura muestra un par de placas metálicas planas y circulares de 5 m de diámetro

pontius pilate kirkus reviews - Aug 27 2022

web select the department you want to search in

pontius pilate deciphering a memory google play - Apr 03 2023

web pontius pilate deciphering a memory schiavonne aldo carden jeremy 9781631492358 books amazon ca

pontius pilate deciphering a memory hardcover amazon co uk - Oct 29 2022

web feb 28 2017 pontius pilate deciphering a memory by aldo schiavone translated by jeremy carden release date feb 28 2017 a levelheaded

pontius pilate aldo schiavone jeremy carden w w norton - Dec 31 2022

web apr 11 2017 buy pontius pilate deciphering a memory by aldo schiavone jeremy carden isbn 9781631492358 from amazon s book store everyday low prices and

pontius pilate deciphering a memory kindle edition amazon co uk - Jun 24 2022

web buy pontius pilate deciphering a memory hardcover book by aldo schiavone from as low as 4 09

pontius pilate deciphering a memory amazon ca - Mar 02 2023

web feb 28 2017 groundbreaking in its analysis and evocative in its narrative exposition pontius pilate is an absorbing portrait of a man who has been relegated to the borders

pontius pilate deciphering a memory apple books - May 04 2023

web pontius pilate deciphering a memory ebook written by aldo schiavone read this book using google play books app on your pc android ios devices download for offline

pontius pilate deciphering a memory apple books - Nov 17 2021

pontius pilate deciphering a memory amazon com - Oct 09 2023

web jan 19 2016 pontius pilate deciphering a memory aldo schiavone jeremy carden translator 3 52 121 ratings31 reviews the roman prefect pontius pilate has been

pontius pilate deciphering a memory by dan clendenin medium - Mar 22 2022

web nov 3 2023 how to say pontius pilate in english pronunciation of pontius pilate with 7 audio pronunciations 2 synonyms 1 meaning 10 translations 2 sentences and more for

pontius pilate deciphering a memory by aldo schiavone - Jul 26 2022

web jun 25 2017 in this clash between christian memory and imperial history it was pilate who made a fateful decision of incalculable magnitude it was pilate who determined

pontius pilate deciphering a memory ciltli kapak amazon com tr - Jul 06 2023

web 238 pages 22 cm originally published in italian as ponzio pilato un enigma tra storia e memoria title page verso includes bibliographical references and index introduction

journey with jesus pontius pilate deciphering a memory - May 24 2022

web jun 25 2017 aldo schiavone pontius pilate deciphering a memory translated by jeremy carden new york liveright 2017

238pp the yale historian jaroslav pelikan once observed how one of the many historical

[pontius pilate deciphering a memory by aldo schiavone](#) - Sep 08 2023

web feb 28 2017 hardcover 24 95 28 used from 1 35 17 new from 17 14 a world renowned classicist presents a groundbreaking biography of the man who sent jesus of

[pontius pilate deciphering a memory hardcover abebooks](#) - Sep 27 2022

web buy this book pontius pilate deciphering a memory aldo schiavone trans from the italian by jeremy carden liveright 24 95 224p isbn 978 1 63149 235 8

[how to pronounce pontius pilate howtopronounce com](#) - Jan 20 2022

web feb 28 2017 a world renowned classicist presents a groundbreaking biography of the man who sent jesus of nazareth to the cross the roman prefect pontius pilate has been

pontius pilate deciphering a memory kindle edition amazon ca - Dec 19 2021

killing jesus who was the real pontius pilate - Nov 29 2022

web groundbreaking in its analysis and evocative in its narrative exposition pontius pilate is an absorbing portrait of a man who has been relegated to the borders of history and legend

[pontius pilate deciphering a memory schiavone aldo author](#) - Jun 05 2023

web a world renowned classicist presents a groundbreaking biography of the man who sent jesus of nazareth to the cross the roman prefect pontius pilate has been cloaked in

pontius pilate deciphering a memory barnes noble - Feb 01 2023

web a world renowned classicist presents a groundbreaking biography of the man who sent jesus of nazareth to the cross pontius pilate deciphering a memory aldo

pontius pilate definition usage examples dictionary com - Feb 18 2022

web pontius pilate deciphering a memory kindle edition by aldo schiavone author jeremy carden translator format kindle edition 39 ratings see all formats and editions kindle

buy pontius pilate deciphering a memory book by aldo schiavone - Apr 22 2022

web pontius pilate definition roman procurator of judea a d 26 36 see examples of pontius pilate used in a sentence

pontius pilate deciphering a memory amazon com - Aug 07 2023

web pontius pilate deciphering a memory aldo schiavone jeremy carden amazon com tr kitap