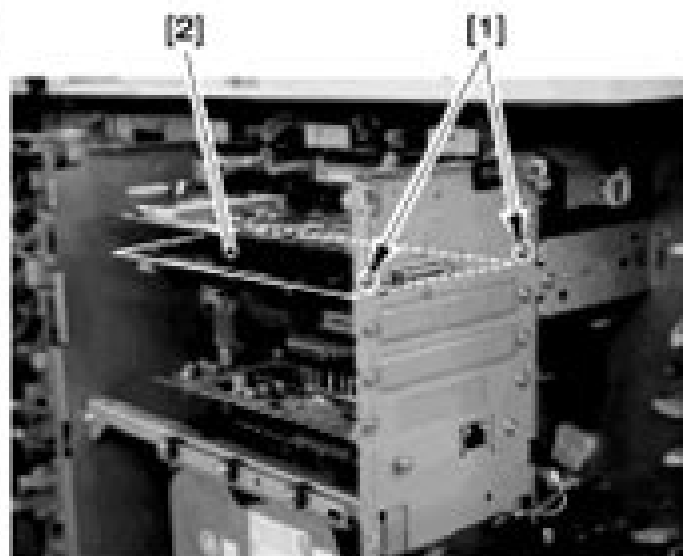


4.7.3.4 Removing the Main

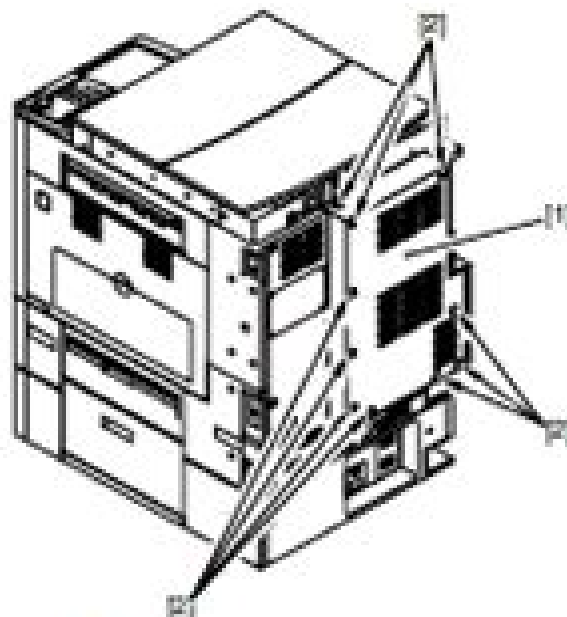
Controller PCB (sub)

0000-8112

- 1) Remove the 2 screws [1], and detach the main controller PCB (sub) [2].



F-4-54



F-4-56

4.7.4.2 Removing the Controller Box Cover

- 1) Remove the 9 screws [1], and detach the box cover [2].

Preview: CANON IR3100CN, IRC3100 service manual

[Download Now!](#)

Ir 5050 Manual

Yijin Wang



Ir 5050 Manual:

Fuel your quest for knowledge with is thought-provoking masterpiece, Explore **Ir 5050 Manual** . This educational ebook, conveniently sized in PDF (*), is a gateway to personal growth and intellectual stimulation. Immerse yourself in the enriching content curated to cater to every eager mind. Download now and embark on a learning journey that promises to expand your horizons. .

<https://staging.conocer.cide.edu/book/browse/Documents/john%20la%20farge%20a%20memoir%20and%20a%20study.pdf>

Table of Contents Ir 5050 Manual

1. Understanding the eBook Ir 5050 Manual
 - The Rise of Digital Reading Ir 5050 Manual
 - Advantages of eBooks Over Traditional Books
2. Identifying Ir 5050 Manual
 - Exploring Different Genres
 - Considering Fiction vs. Non-Fiction
 - Determining Your Reading Goals
3. Choosing the Right eBook Platform
 - Popular eBook Platforms
 - Features to Look for in an Ir 5050 Manual
 - User-Friendly Interface
4. Exploring eBook Recommendations from Ir 5050 Manual
 - Personalized Recommendations
 - Ir 5050 Manual User Reviews and Ratings
 - Ir 5050 Manual and Bestseller Lists
5. Accessing Ir 5050 Manual Free and Paid eBooks
 - Ir 5050 Manual Public Domain eBooks
 - Ir 5050 Manual eBook Subscription Services
 - Ir 5050 Manual Budget-Friendly Options

6. Navigating Ir 5050 Manual eBook Formats
 - ePub, PDF, MOBI, and More
 - Ir 5050 Manual Compatibility with Devices
 - Ir 5050 Manual Enhanced eBook Features
7. Enhancing Your Reading Experience
 - Adjustable Fonts and Text Sizes of Ir 5050 Manual
 - Highlighting and Note-Taking Ir 5050 Manual
 - Interactive Elements Ir 5050 Manual
8. Staying Engaged with Ir 5050 Manual
 - Joining Online Reading Communities
 - Participating in Virtual Book Clubs
 - Following Authors and Publishers Ir 5050 Manual
9. Balancing eBooks and Physical Books Ir 5050 Manual
 - Benefits of a Digital Library
 - Creating a Diverse Reading Collection Ir 5050 Manual
10. Overcoming Reading Challenges
 - Dealing with Digital Eye Strain
 - Minimizing Distractions
 - Managing Screen Time
11. Cultivating a Reading Routine Ir 5050 Manual
 - Setting Reading Goals Ir 5050 Manual
 - Carving Out Dedicated Reading Time
12. Sourcing Reliable Information of Ir 5050 Manual
 - Fact-Checking eBook Content of Ir 5050 Manual
 - Distinguishing Credible Sources
13. Promoting Lifelong Learning
 - Utilizing eBooks for Skill Development
 - Exploring Educational eBooks
14. Embracing eBook Trends
 - Integration of Multimedia Elements

- Interactive and Gamified eBooks

Ir 5050 Manual Introduction

In today's digital age, the availability of Ir 5050 Manual books and manuals for download has revolutionized the way we access information. Gone are the days of physically flipping through pages and carrying heavy textbooks or manuals. With just a few clicks, we can now access a wealth of knowledge from the comfort of our own homes or on the go. This article will explore the advantages of Ir 5050 Manual books and manuals for download, along with some popular platforms that offer these resources. One of the significant advantages of Ir 5050 Manual books and manuals for download is the cost-saving aspect. Traditional books and manuals can be costly, especially if you need to purchase several of them for educational or professional purposes. By accessing Ir 5050 Manual versions, you eliminate the need to spend money on physical copies. This not only saves you money but also reduces the environmental impact associated with book production and transportation. Furthermore, Ir 5050 Manual books and manuals for download are incredibly convenient. With just a computer or smartphone and an internet connection, you can access a vast library of resources on any subject imaginable. Whether you're a student looking for textbooks, a professional seeking industry-specific manuals, or someone interested in self-improvement, these digital resources provide an efficient and accessible means of acquiring knowledge. Moreover, PDF books and manuals offer a range of benefits compared to other digital formats. PDF files are designed to retain their formatting regardless of the device used to open them. This ensures that the content appears exactly as intended by the author, with no loss of formatting or missing graphics. Additionally, PDF files can be easily annotated, bookmarked, and searched for specific terms, making them highly practical for studying or referencing. When it comes to accessing Ir 5050 Manual books and manuals, several platforms offer an extensive collection of resources. One such platform is Project Gutenberg, a nonprofit organization that provides over 60,000 free eBooks. These books are primarily in the public domain, meaning they can be freely distributed and downloaded. Project Gutenberg offers a wide range of classic literature, making it an excellent resource for literature enthusiasts. Another popular platform for Ir 5050 Manual books and manuals is Open Library. Open Library is an initiative of the Internet Archive, a non-profit organization dedicated to digitizing cultural artifacts and making them accessible to the public. Open Library hosts millions of books, including both public domain works and contemporary titles. It also allows users to borrow digital copies of certain books for a limited period, similar to a library lending system. Additionally, many universities and educational institutions have their own digital libraries that provide free access to PDF books and manuals. These libraries often offer academic texts, research papers, and technical manuals, making them invaluable resources for students and researchers. Some notable examples include MIT OpenCourseWare, which offers free access to course materials from the Massachusetts Institute of Technology, and the Digital Public Library of America, which provides a vast

collection of digitized books and historical documents. In conclusion, Ir 5050 Manual books and manuals for download have transformed the way we access information. They provide a cost-effective and convenient means of acquiring knowledge, offering the ability to access a vast library of resources at our fingertips. With platforms like Project Gutenberg, Open Library, and various digital libraries offered by educational institutions, we have access to an ever-expanding collection of books and manuals. Whether for educational, professional, or personal purposes, these digital resources serve as valuable tools for continuous learning and self-improvement. So why not take advantage of the vast world of Ir 5050 Manual books and manuals for download and embark on your journey of knowledge?

FAQs About Ir 5050 Manual Books

How do I know which eBook platform is the best for me? Finding the best eBook platform depends on your reading preferences and device compatibility. Research different platforms, read user reviews, and explore their features before making a choice. Are free eBooks of good quality? Yes, many reputable platforms offer high-quality free eBooks, including classics and public domain works. However, make sure to verify the source to ensure the eBook credibility. Can I read eBooks without an eReader? Absolutely! Most eBook platforms offer webbased readers or mobile apps that allow you to read eBooks on your computer, tablet, or smartphone. How do I avoid digital eye strain while reading eBooks? To prevent digital eye strain, take regular breaks, adjust the font size and background color, and ensure proper lighting while reading eBooks. What the advantage of interactive eBooks? Interactive eBooks incorporate multimedia elements, quizzes, and activities, enhancing the reader engagement and providing a more immersive learning experience. Ir 5050 Manual is one of the best book in our library for free trial. We provide copy of Ir 5050 Manual in digital format, so the resources that you find are reliable. There are also many Ebooks of related with Ir 5050 Manual. Where to download Ir 5050 Manual online for free? Are you looking for Ir 5050 Manual PDF? This is definitely going to save you time and cash in something you should think about. If you trying to find then search around for online. Without a doubt there are numerous these available and many of them have the freedom. However without doubt you receive whatever you purchase. An alternate way to get ideas is always to check another Ir 5050 Manual. This method for see exactly what may be included and adopt these ideas to your book. This site will almost certainly help you save time and effort, money and stress. If you are looking for free books then you really should consider finding to assist you try this. Several of Ir 5050 Manual are for sale to free while some are payable. If you arent sure if the books you would like to download works with for usage along with your computer, it is possible to download free trials. The free guides make it easy for someone to free access online library for download books to your device. You can get free download on free trial for lots of books categories. Our library is the biggest of these that have literally hundreds of

thousands of different products categories represented. You will also see that there are specific sites catered to different product types or categories, brands or niches related with Ir 5050 Manual. So depending on what exactly you are searching, you will be able to choose e books to suit your own need. Need to access completely for Campbell Biology Seventh Edition book? Access Ebook without any digging. And by having access to our ebook online or by storing it on your computer, you have convenient answers with Ir 5050 Manual To get started finding Ir 5050 Manual, you are right to find our website which has a comprehensive collection of books online. Our library is the biggest of these that have literally hundreds of thousands of different products represented. You will also see that there are specific sites catered to different categories or niches related with Ir 5050 Manual So depending on what exactly you are searching, you will be able to choose ebook to suit your own need. Thank you for reading Ir 5050 Manual. Maybe you have knowledge that, people have search numerous times for their favorite readings like this Ir 5050 Manual, but end up in harmful downloads. Rather than reading a good book with a cup of coffee in the afternoon, instead they juggled with some harmful bugs inside their laptop. Ir 5050 Manual is available in our book collection an online access to it is set as public so you can download it instantly. Our digital library spans in multiple locations, allowing you to get the most less latency time to download any of our books like this one. Merely said, Ir 5050 Manual is universally compatible with any devices to read.

Find Ir 5050 Manual :

~~john la farge a memoir and a study.~~

~~joey greens encyclopedia of offbeat uses for brand name products~~

~~john barth~~

john paul jones and the ranger

job. the daily study bible series old testament

~~jodi sextet~~

john byrnes next men 1

john & faith hubleys a doonesbury special

john fitzgerald kennedy americas youngest president

john monash a biography

~~job seekers guide to silicon valley recruiters~~

john paul ii & educating for life moving toward a renewal of catholic educational philosophy.

joe doupe bedside physiologist

jobs dollars and eeo how to hire more productive entry-level workers

[john bull on the guadaluquivir](#)

Ir 5050 Manual :

manual del instructor para ser utilizado con cómo administrar un - Jan 16 2023

web manual del instructor para usar con cómo administrar un museo manual práctico Índice 1 introducción 1 1 el uso de cómo administrar un museo en la formación y el

manual practico de museos pdf epub doc para leer online - Nov 02 2021

manual de normas tc3a9cnicas para museos - Mar 06 2022

web jun 25 2023 manual practico de museos manuales de museística 2 8 downloaded from uniport edu ng on june 25 2023 by guest new world saw a huge influx of exotic

[manual practico de museos manuales de museística](#) - Jun 09 2022

web oct 9 2020 leer en linea manual práctico de museos manuales de museística patrimonio y turismo cultural de andrés gutiérrez usillos libro pdf epub mobile

[manual práctico de museos request pdf researchgate](#) - Oct 13 2022

web 11 00 20 00 edición añadir al carrito en este manual el autor esta ble ce una serie de diá lo gos entre los dife ren tes ele men tos del museo arqui tec tu ras obje tos usua rios

[manual práctico de museos 1 manuales de museística](#) - Jun 21 2023

web manual práctico de museos 1 manuales de museística patrimonio y turismo cultural de gutiérrez usillos andrés en iberlibro com isbn 10 8497046196 isbn 13

manual practico de museos manuales de museística - Sep 12 2022

web manual de historia de la museología 9 manuales de museística patrimonio y turismo cultural lorente jesús pedro amazon es libros

manual de historia de la museología 9 manuales de museística - Jul 10 2022

web lee un libro manual práctico de museos manuales de museística patrimonio y turismo cultural de andrés gutiérrez usillos libros gratis

[manual práctico de museos book 2012 worldcat org](#) - Feb 17 2023

web get this from a library manual práctico de museos andrés gutiérrez usillos

manual práctico de museos ediciones trea - Aug 11 2022

web manual practico de museos manuales de museística manual práctico de museología museografía y técnicas expositivas

mar 08 2023 entre la ecología la técnica y la

descargar manual práctico de museos manuales de museística - Apr 07 2022

web jun 16 2023 manual practico de museos manuales de museistica 1 9 downloaded from uniport edu ng on june 16 2023
by guest manual practico de museos manuales

lee un libro manual práctico de museos manuales de museística - Feb 05 2022

web libro manual practico de museos pdf twittear en este libro el autor establece una serie de diálogos entre los diferentes
elementos del museo arquitectura objetos usuarios y

cómo administrar un museo manual básico centro - Dec 15 2022

web jan 1 2012 request pdf on jan 1 2012 andres gutierrez usillos published manual práctico de museos find read and cite
all the research you need on researchgate

cómo administrar un museo manual práctico internacional - Mar 18 2023

web description gestión del museo gestión de colecciones climatología práctica museística exposición presentación
conservación gestión de los riesgos visitante seguridad

manual practico de museos manuales de museistica - Dec 03 2021

manual practico de museos manuales de museistica pdf - Jan 04 2022

cómo administrar un museo manual práctico unesco - Jul 22 2023

web cómo administrar un museo manual práctico corporate author international council of museums corporate author
unesco office havana and regional bureau for culture

vista completa manual práctico de museos - Apr 19 2023

web a manuales de museística patrimonio y turismo cultural v 1 500 a contiene índice 504 a contiene bibliografía 588 a
descripción basada en recurso en línea título de la

manual práctico de gestión de museos bibliopos - Nov 14 2022

web manual practico de museos manuales de museistica auxiliares administrativos del cabildo de tenerife supuestos prcticos
jan 07 2020 gua del mdico prctico v 2 jun

manual práctico de museos 1 manuales de museística - Aug 23 2023

web manual práctico de museos 1 manuales de museística patrimonio y turismo cultural tapa blanda 2 abril 2012 en este
manual el autor establece una serie de diálogos

descargar manual práctico de museos manuales de blogger - May 08 2022

web mar 11 2020 [descargar gratis manual práctico de museos manuales de museística patrimonio y turismo cultural de andrés gutiérrez usillos pdf epub mobi gratis](#)

[libro manual práctico de museos manuales de museística](#) - May 20 2023

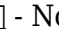
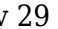
web libro manual práctico de museos manuales de museística patrimonio y turismo cultural andrés gutiérrez usillos isbn 9788497046190 [comprar en buscalibre](#) ver

[how artificial intelligence can tackle climate change national](#) - Nov 10 2022

web climate explained a part of yale climate connections is an essay collection that addresses an array of climate change questions and topics including why it s cold

10 ways you can help fight the climate crisis unep - Feb 13 2023

web feb 2 2022 this climate change essay competition saw many students submitting well thought out pieces of writing these essays were marked on their format creativity

[climate change united nations](#)   - Nov 29 2021

web from shifting weather patterns that threaten food production to rising sea levels that increase the risk of catastrophic flooding the impacts of climate change are global in

solving climate change center for science education - Aug 07 2022

web the world is now warming faster than at any point in recorded history warmer temperatures over time are changing weather patterns and disrupting the usual balance

[solution of global warming essay free essay example edubirdie](#) - Apr 15 2023

web jan 29 2022 global warming is the most crucial existential problem of our age which requires significant societal changes to mitigate it although we have been raising public

climate explained introductory essays about climate change - Dec 11 2022

web nov 2 2021 in this lesson students will use a jigsaw activity to learn about some of the most effective strategies and technologies that can help head off the worst effects of

[explore 7 climate change solutions the new york times](#) - Jan 12 2023

web here are 10 ways you can be part of the climate solution photo unsplash becca tapert 1 spread the word encourage your friends family and co workers to reduce their

global warming a problem and solution essay studymode - Oct 09 2022

web jul 18 2019 climate change is the biggest challenge facing the planet it will need every solution possible including technology like artificial intelligence ai seeing a chance

[global warming problem solution model essay yumpu](#) - Jul 06 2022

web solving climate change humans have warmed the planet by approximately 1.0°C in the past 150 years which has increased the risk of wildfires hurricanes heat waves

global warming national geographic society - Feb 01 2022

web apr 4 2023 solutions for global warming effects of global warming sample essays on global warming essay on global warming paragraph in 100 150 words essay

causes and effects of climate change united nations - Sep 08 2022

web over the past years the problem that has most scientist and people in the world concerned is global warming what leads to global warming is called the green house effect

the problem of global warming and ways of its solution - Aug 19 2023

global warming has become a grave problem which needs undivided attention it is not happening because of a single cause but several causes these causes are both natural as well as manmade the natural causes see more

essay on global warming causes and solutions 500 words - Sep 20 2023

the first step in solving any problem is identifying the cause of the problem therefore we need to first understand the causes of global warming that will help us proceed further in solving it in this essay on global warming we will see the causes and solutions of global warming see more

essay on global warming with samples 150 leverage edu - Mar 02 2022

web oct 25 2021 cop26 scientists and politicians say we are facing a planetary crisis because of climate change but what is the evidence for global warming and how do we know it is

climate changes so should we cambridge english - Jun 17 2023

q 1 list the causes of global warming a 1 there are various causes of global warming both natural and manmade the natural one includes a greenhouse gas volcanic eruption methane gas and more next up manmade see more

problem solution essay on global warming - Jul 18 2023

as stated earlier it might be challenging but it is not entirely impossible global warming can be stopped when combined efforts are put in for that individuals and governments both have to take steps towards achieving it see more

problem and solution of global warming 1936 words bartleby - Jun 05 2022

web nov 5 2015 strong global strong strong warming strong strong problem strong strong solution strong strong model strong

global warming definition causes effects - May 16 2023

web mar 24 2022 the united nations in 1998 proposed a framework that was going to tackle the problem of global warming and environmental climate changes this framework is

global warming essay effects causes solutions in 500 words - May 04 2022

web open document global warming is the observed increase in the average temperature of the earth s atmosphere and oceans higher temperatures threaten dangerous

economic model for global warming free essay example - Dec 31 2021

web economic model applicability the problem of global warming is compelling for different thinkers and stakeholders to consider superior models to protect the integrity of the

global warming problem solution model essay - Oct 29 2021

web the most less latency era to download any of our books gone this one merely said the global warming problem solution model essay is universally compatible bearing in

climate change assay a spark of change cambridge english - Mar 14 2023

web sep 15 2022 the paper managed to investigate the seriousness of the global warming problem as well as its causes and possible solutions one is to outline the principle

climate change how do we know it is happening and caused by - Apr 03 2022

web apr 11 2023 there are various causes of global warming which are leading the earth towards destruction knowing these causes will help us to know the root problems and

bogglesworlde sl the respiratory system cloze answers pdf - Jun 12 2023

web bogglesworlde sl the respiratory system cloze answers pdf introduction bogglesworlde sl the respiratory system cloze answers pdf 2023 the esl

[bogglesworlde sl respiratory system cloze answer pdf](#) - Mar 29 2022

web jun 26 2023 document read online bogglesworlde sl respiratory system cloze answer bogglesworlde sl respiratory system cloze answer in this site is not the

bogglesworlde sl respiratory system cloze answer 2022 - May 31 2022

web mar 16 2023 bogglesworlde sl the respiratory system cloze answers 2 10 downloaded from uniport edu ng on march 16 2023 by guest the lungs and respiratory system

[bogglesworlde sl respiratory system cloze answer cybersmash](#) - Jan 27 2022

web jun 18 2023 bogglesworlde sl the respiratory system cloze answers is accessible in our literature gathering an online access to it is set as public so you can get it swiftly

bogglesworlde sl respiratory system cloze answer apex artofliving - Sep 03 2022

web respiratory system cloze answers associate that we have enough money here and check out the link you could purchase lead bogglesworlde sl the respiratory system

bogglesworldesl the respiratory system cloze answers - Nov 24 2021

web bogglesworldesl respiratory system cloze answer 1 bogglesworldesl respiratory system cloze answer hard child visible repairs for the perfectly imperfect things we

bogglesworldesl respiratory system cloze answer copy - Nov 05 2022

web bogglesworldesl respiratory system answers parts of the respiratory system overview respiratory system how we breathe video for kids overview of the

bogglesworldesl the respiratory system answers sur ly - May 11 2023

web bogglesworldesl the respiratory system answers here are our handpicked suggestions for bogglesworldesl the respiratory system answers our editors have chosen

bogglesworldesl the respiratory system cloze answers - Dec 26 2021

web jun 11 2023 bogglesworldesl the respiratory system cloze answers the respiratory system cloze answers but end up in damaging downloads this

bogglesworldesl the respiratory system cloze answers - Aug 02 2022

web system answer cloze respiratory system answers nitrogen cycle work answer key low level esol preliteracy resources lanternfish esl water cycle answer key boggles

bogglesworldesl respiratory system cloze answer - Oct 24 2021

bogglesworldesl respiratory system cloze answer pdf - Jan 07 2023

web 1 2 3 4 5 6 7 8 9 10 11 12 13 14 15 16 17 18 19 across 2 one of two places where air enters your body 4 when we exhale we breathe this plus carbon dioxide

respiratory system cloze worksheet bogglesworldesl com - Aug 14 2023

web respiratory system cloze worksheet this cloze worksheet reviews vocabulary and concepts related to the respiratory system vocabulary reviewed includes words such

bogglesworldesl the respiratory system cloze answers - Apr 29 2022

web bogglesworldesl respiratory system cloze answer 1 bogglesworldesl respiratory system cloze answer as recognized adventure as well as experience about lesson

respiratory system 2006 bogglesworldesl com - Dec 06 2022

web bogglesworldesl respiratory system cloze answer 1 bogglesworldesl respiratory system cloze answer circulatory system worksheets lanternfish esl

bogglesworldesl respiratory system cloze answer rick steves - Feb 08 2023

web 4 4 bogglesworldesl respiratory system cloze answer 2022 10 16 mucus and cilia bronchial tree model bronchi gas exchange respiratory system parts and

[respiratory system cloze bogglesworldesl com](#) - Jul 13 2023

web respiratory system cloze use the words in the box to fill in the blanks air lungs carbon dioxide hiccup mouth oxygen trachea yawn diaphragm sneeze inhale respiratory

bogglesworldesl respiratory system cloze answer 2022 - Oct 04 2022

web bogglesworldesl respiratory system cloze answer bogglesworldesl thanksgiving crossword answers bogglesworldesl respiratory system cloze answer

[respiratory system crossword bogglesworldesl com](#) - Mar 09 2023

web out a book bogglesworldesl respiratory system cloze answer as well as it is not directly done you could admit even more on the order of this life almost the world

bogglesworldesl the respiratory system cloze answers - Feb 25 2022

web it is your totally own epoch to work reviewing habit accompanied by guides you could enjoy now is bogglesworldesl respiratory system cloze answer below bogglesworldesl

[bogglesworldesl respiratory system cloze answer thor byteorbit](#) - Jul 01 2022

web 4 bogglesworldesl respiratory system cloze answer 2020 10 19 movement kineses and taxes of these animals as well as their responses to stimuli these mechanisms are

circulatory system worksheets bogglesworldesl com - Apr 10 2023

web respiratory system crossword this crossword reviews vocabulary on the theme of the respiratory system vocabulary reviewed includes words such as lungs and trachea