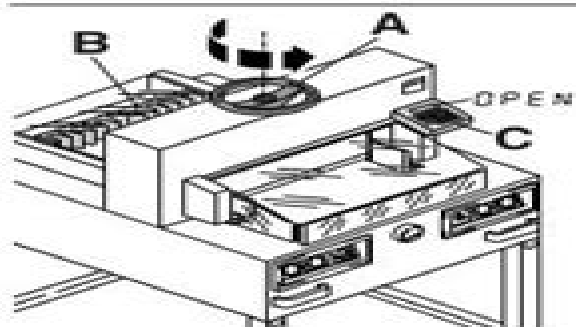


**IDEAL 4810-9SEP, IDEAL 4850-9SEP,
IDEAL 5221-9SEP, IDEAL 6550-9SEP**
Размер задается либо маховичком (A), либо
с помощью цифровой клавиатуры (B). Размер
высвечивается на дисплее в
дюймах или в см (B).



Только для IDEAL 4810-9SEP
Если на дисплее высвечивается "OPEN", принтер
должен быть полностью открыт.
Вращайте маховичок принтера (A) до упора
влево, пока не начнет двигаться задний
упор (B).

Ideal 4850 Service Manual

Terry C. Jones



Ideal 4850 Service Manual:

When somebody should go to the books stores, search establishment by shop, shelf by shelf, it is really problematic. This is why we give the book compilations in this website. It will completely ease you to see guide **Ideal 4850 Service Manual** as you such as.

By searching the title, publisher, or authors of guide you essentially want, you can discover them rapidly. In the house, workplace, or perhaps in your method can be all best area within net connections. If you set sights on to download and install the Ideal 4850 Service Manual, it is certainly easy then, back currently we extend the partner to purchase and make bargains to download and install Ideal 4850 Service Manual consequently simple!

https://staging.conocer.cide.edu/data/scholarship/Documents/guide_to_the_first_five_steps_of_chemical_dependency_recovery_for_adults.pdf

Table of Contents Ideal 4850 Service Manual

1. Understanding the eBook Ideal 4850 Service Manual
 - The Rise of Digital Reading Ideal 4850 Service Manual
 - Advantages of eBooks Over Traditional Books
2. Identifying Ideal 4850 Service Manual
 - Exploring Different Genres
 - Considering Fiction vs. Non-Fiction
 - Determining Your Reading Goals
3. Choosing the Right eBook Platform
 - Popular eBook Platforms
 - Features to Look for in an Ideal 4850 Service Manual
 - User-Friendly Interface
4. Exploring eBook Recommendations from Ideal 4850 Service Manual
 - Personalized Recommendations
 - Ideal 4850 Service Manual User Reviews and Ratings

- Ideal 4850 Service Manual and Bestseller Lists
- 5. Accessing Ideal 4850 Service Manual Free and Paid eBooks
 - Ideal 4850 Service Manual Public Domain eBooks
 - Ideal 4850 Service Manual eBook Subscription Services
 - Ideal 4850 Service Manual Budget-Friendly Options
- 6. Navigating Ideal 4850 Service Manual eBook Formats
 - ePub, PDF, MOBI, and More
 - Ideal 4850 Service Manual Compatibility with Devices
 - Ideal 4850 Service Manual Enhanced eBook Features
- 7. Enhancing Your Reading Experience
 - Adjustable Fonts and Text Sizes of Ideal 4850 Service Manual
 - Highlighting and Note-Taking Ideal 4850 Service Manual
 - Interactive Elements Ideal 4850 Service Manual
- 8. Staying Engaged with Ideal 4850 Service Manual
 - Joining Online Reading Communities
 - Participating in Virtual Book Clubs
 - Following Authors and Publishers Ideal 4850 Service Manual
- 9. Balancing eBooks and Physical Books Ideal 4850 Service Manual
 - Benefits of a Digital Library
 - Creating a Diverse Reading Collection Ideal 4850 Service Manual
- 10. Overcoming Reading Challenges
 - Dealing with Digital Eye Strain
 - Minimizing Distractions
 - Managing Screen Time
- 11. Cultivating a Reading Routine Ideal 4850 Service Manual
 - Setting Reading Goals Ideal 4850 Service Manual
 - Carving Out Dedicated Reading Time
- 12. Sourcing Reliable Information of Ideal 4850 Service Manual
 - Fact-Checking eBook Content of Ideal 4850 Service Manual
 - Distinguishing Credible Sources

-
13. Promoting Lifelong Learning
 - Utilizing eBooks for Skill Development
 - Exploring Educational eBooks
 14. Embracing eBook Trends
 - Integration of Multimedia Elements
 - Interactive and Gamified eBooks

Ideal 4850 Service Manual Introduction

Free PDF Books and Manuals for Download: Unlocking Knowledge at Your Fingertips In today's fast-paced digital age, obtaining valuable knowledge has become easier than ever. Thanks to the internet, a vast array of books and manuals are now available for free download in PDF format. Whether you are a student, professional, or simply an avid reader, this treasure trove of downloadable resources offers a wealth of information, conveniently accessible anytime, anywhere. The advent of online libraries and platforms dedicated to sharing knowledge has revolutionized the way we consume information. No longer confined to physical libraries or bookstores, readers can now access an extensive collection of digital books and manuals with just a few clicks. These resources, available in PDF, Microsoft Word, and PowerPoint formats, cater to a wide range of interests, including literature, technology, science, history, and much more. One notable platform where you can explore and download free Ideal 4850 Service Manual PDF books and manuals is the internet's largest free library. Hosted online, this catalog compiles a vast assortment of documents, making it a veritable goldmine of knowledge. With its easy-to-use website interface and customizable PDF generator, this platform offers a user-friendly experience, allowing individuals to effortlessly navigate and access the information they seek. The availability of free PDF books and manuals on this platform demonstrates its commitment to democratizing education and empowering individuals with the tools needed to succeed in their chosen fields. It allows anyone, regardless of their background or financial limitations, to expand their horizons and gain insights from experts in various disciplines. One of the most significant advantages of downloading PDF books and manuals lies in their portability. Unlike physical copies, digital books can be stored and carried on a single device, such as a tablet or smartphone, saving valuable space and weight. This convenience makes it possible for readers to have their entire library at their fingertips, whether they are commuting, traveling, or simply enjoying a lazy afternoon at home. Additionally, digital files are easily searchable, enabling readers to locate specific information within seconds. With a few keystrokes, users can search for keywords, topics, or phrases, making research and finding relevant information a breeze. This efficiency saves time and effort, streamlining the learning process and allowing individuals to focus on extracting the information they need. Furthermore, the availability of free PDF books and manuals fosters a culture of continuous learning. By removing

financial barriers, more people can access educational resources and pursue lifelong learning, contributing to personal growth and professional development. This democratization of knowledge promotes intellectual curiosity and empowers individuals to become lifelong learners, promoting progress and innovation in various fields. It is worth noting that while accessing free Ideal 4850 Service Manual PDF books and manuals is convenient and cost-effective, it is vital to respect copyright laws and intellectual property rights. Platforms offering free downloads often operate within legal boundaries, ensuring that the materials they provide are either in the public domain or authorized for distribution. By adhering to copyright laws, users can enjoy the benefits of free access to knowledge while supporting the authors and publishers who make these resources available. In conclusion, the availability of Ideal 4850 Service Manual free PDF books and manuals for download has revolutionized the way we access and consume knowledge. With just a few clicks, individuals can explore a vast collection of resources across different disciplines, all free of charge. This accessibility empowers individuals to become lifelong learners, contributing to personal growth, professional development, and the advancement of society as a whole. So why not unlock a world of knowledge today? Start exploring the vast sea of free PDF books and manuals waiting to be discovered right at your fingertips.

FAQs About Ideal 4850 Service Manual Books

What is a Ideal 4850 Service Manual PDF? A PDF (Portable Document Format) is a file format developed by Adobe that preserves the layout and formatting of a document, regardless of the software, hardware, or operating system used to view or print it. **How do I create a Ideal 4850 Service Manual PDF?** There are several ways to create a PDF: Use software like Adobe Acrobat, Microsoft Word, or Google Docs, which often have built-in PDF creation tools. Print to PDF: Many applications and operating systems have a "Print to PDF" option that allows you to save a document as a PDF file instead of printing it on paper. Online converters: There are various online tools that can convert different file types to PDF. **How do I edit a Ideal 4850 Service Manual PDF?** Editing a PDF can be done with software like Adobe Acrobat, which allows direct editing of text, images, and other elements within the PDF. Some free tools, like PDFescape or Smallpdf, also offer basic editing capabilities. **How do I convert a Ideal 4850 Service Manual PDF to another file format?** There are multiple ways to convert a PDF to another format: Use online converters like Smallpdf, Zamzar, or Adobe Acrobats export feature to convert PDFs to formats like Word, Excel, JPEG, etc. Software like Adobe Acrobat, Microsoft Word, or other PDF editors may have options to export or save PDFs in different formats. **How do I password-protect a Ideal 4850 Service Manual PDF?** Most PDF editing software allows you to add password protection. In Adobe Acrobat, for instance, you can go to "File" -> "Properties" -> "Security" to set a password to restrict access or editing capabilities. Are there any free alternatives to Adobe

Acrobat for working with PDFs? Yes, there are many free alternatives for working with PDFs, such as: LibreOffice: Offers PDF editing features. PDFsam: Allows splitting, merging, and editing PDFs. Foxit Reader: Provides basic PDF viewing and editing capabilities. How do I compress a PDF file? You can use online tools like Smallpdf, ILovePDF, or desktop software like Adobe Acrobat to compress PDF files without significant quality loss. Compression reduces the file size, making it easier to share and download. Can I fill out forms in a PDF file? Yes, most PDF viewers/editors like Adobe Acrobat, Preview (on Mac), or various online tools allow you to fill out forms in PDF files by selecting text fields and entering information. Are there any restrictions when working with PDFs? Some PDFs might have restrictions set by their creator, such as password protection, editing restrictions, or print restrictions. Breaking these restrictions might require specific software or tools, which may or may not be legal depending on the circumstances and local laws.

Find Ideal 4850 Service Manual :

guide to the first five steps of chemical dependency recovery for adults

guide to starting and operating a successful travel agency the travel management library

gulliver of mars 30600

guidelines for preparing urban plans

gunbearer the journal of sm mumbai

guide to the world bank

guide to restoration of nutrientenriched shallow lakes

guitar for bassists

guitarists link to sight reading

guinness of military blunders

guide to sevilla

guide to the perplexed

gunluk notlar 19221925

guided by voices watch me jumpstart

guns of morgette

Ideal 4850 Service Manual :

das kinderkunst kreativbuch winter und weihnachten amazon fr - Mar 30 2022

web das kinderkunst kreativbuch winter und weihnachten schaumann claudia amazon fr livres

das kinderkunst kreativbuch winter und weihnachten - Sep 16 2023

web das kinderkunst kreativbuch winter und weihnachten schaumann claudia isbn 9783960936121 kostenloser versand für alle bücher mit versand und verkauf duch

das kinderkunst kreativbuch winter und weihnachten deutsch - Nov 06 2022

web willkommen im winter wunderland nach dem erfolgreichen vorgängertitel das kinderkunst kreativbuch folgt nun die winterlich weihnachtliche das kinderkunst

das kinderkunst kreativbuch winter und weihnachten - Feb 26 2022

web amazon com das kinderkunst kreativbuch winter und weihnachten 9783960936121 books

das kinderkunst kreativbuch winter und weihnachten - May 12 2023

web aug 9 2017 willkommen im winter wunderland nach dem erfolgreichen vorgängertitel das kinderkunst kreativbuch folgt nun die winterlich weihnachtliche das

das kinderkunst kreativbuch winter weihnachten buch - Jul 02 2022

web bücher bei weltbild jetzt das kinderkunst kreativbuch winter weihnachten von claudia schaumann einfach online bestellen bei weltbild ihrem bücher spezialisten

das kinderkunst kreativbuch winter und weihnachten - Oct 05 2022

web willkommen im winter wunderland nach dem erfolgreichen vorgängertitel das kinderkunst kreativbuch folgt nun die winterlich weihnachtliche fortsetzung mit

3863557905 das kinderkunst kreativbuch 8211 winter und - Sep 04 2022

web das kinderkunst kreativbuch winter und weihnachte finden sie alle bücher von claudia schaumann bei der büchersuchmaschine eurobuch de können sie

das kinderkunst kreativbuch winter und weihnachten - Oct 17 2023

web das kinderkunst kreativbuch winter und weihnachten schaumann claudia isbn 9783863557904 kostenloser versand für alle bücher mit versand und verkauf duch

amazon com das kinderkunst kreativbuch winter und - Jun 13 2023

web aug 17 2017 amazon com das kinderkunst kreativbuch winter und weihnachten 9783863557904 schaumann claudia books

das kinderkunst kreativbuch winter weihnachten - Apr 30 2022

web das kinderkunst kreativbuch winter weihnachten schaumann claudia jetzt online kaufen bei atalanda im geschäft in buchhandlung meyer vorrätig online bestellen

das kinderkunst kreativbuch winter und weihnachten - Mar 10 2023

web willkommen im winter wunderland nach dem erfolgreichen vorgängertitel das kinderkunst kreativbuch folgt nun die winterlich weihnachtliche fortsetzung mit

amazon de kundenrezensionen das kinderkunst kreativbuch - Jan 28 2022

web finden sie hilfreiche kundenrezensionen und rezensionsbewertungen für das kinderkunst kreativbuch winter und weihnachten auf amazon de lesen sie

das kinderkunst kreativbuch viele bunte projekte für mama und - Jun 01 2022

web kinderkunst gehört schließlich an die wand und nicht in die tonne im buch enthalten sind zudem ein grundlagenteil der alle wichtigen materialien erklärt und viele hilfreiche

das kinderkunst kreativbuch winter und weihnachten hardcover - Aug 15 2023

web das kinderkunst kreativbuch winter und weihnachten on amazon com au free shipping on eligible orders das kinderkunst kreativbuch winter und weihnachten

das kinderkunst kreativbuch winter weihnachten bücher de - Apr 11 2023

web nach dem erfolgreichen vorgängertitel das kinderkunst kreativbuch folgt nun die winterlich weihnachtliche fortsetzung mit kreativen projekten für die kalte jahreszeit

das kinderkunst kreativbuch winter und weihnachten - Jan 08 2023

web aug 17 2017 willkommen im winter wunderland nach dem erfolgreichen vorgängertitel das kinderkunst kreativbuch folgt nun die winterlich weihnachtliche fortsetzung mit

das kinderkunst kreativbuch winter und weihnachten - Feb 09 2023

web oct 15 2019 willkommen im winter wunderland nach dem erfolgreichen vorgängertitel das kinderkunst kreativbuch folgt nun die winterlich weihnachtliche fortsetzung mit

das kinderkunst kreativbuch winter und weihnachten - Jul 14 2023

web das kinderkunst kreativbuch winter und weihnachten schaumann claudia amazon de books

das kinderkunst kreativbuch winter und weihnachten - Aug 03 2022

web 19 99 inkl mwst enthält 7 mwst ermäßigt zzgl versand lieferzeit ca 3 4 werktage willkommen im winter wunderland nach dem erfolgreichen vorgängertitel das

das kinderkunst kreativbuch winter weihnachten kaufen - Dec 07 2022

web nach dem erfolgreichen vorgängertitel das kinderkunst kreativbuch folgt nun die winterlich weihnachtliche fortsetzung mit kreativen projekten für die kalte jahreszeit

the british are coming the war for america lexington to - Dec 27 2021

the british are coming the war for america lexington - Apr 11 2023

web may 14 2019 the british are coming the war for america lexington to princeton 1775 1777 rick atkinson henry holt and company may 14 2019 history 800 pages

reviewing the british are coming the war for - Nov 06 2022

web on october 23 2019 rick atkinson delivered the j harvie wilkinson jr lecture entitled the british are coming the war for america lexington to princeton 1775 1777

the british are coming the war for america lexington to - Feb 26 2022

web the british are coming the war for america lexington to princeton 1775 1777 paperback 7 april 2020 by rick atkinson author 2 858 ratings book 1 of 1 the

loading interface goodreads - Nov 25 2021

the british are coming the war for america lexington to - Mar 30 2022

web discover and share books you love on goodreads

the british are coming the war for america lexington to - Jan 28 2022

the british are coming the war for america lexington - Jul 14 2023

paperback 800 pages thirty two pages of color illustrations with twenty four maps and illustrated endpapers 18 99 us 25 99 can isbn 1 2502 3132 9 isbn 13 978 1 2502 3132 see more

the british are coming the war for america lexington to - Jun 01 2022

web the british are coming the war for america lexington to princeton 1775 1777 revolution trilogy audio atkinson rick amazon com tr kitap

the british are coming army university press - Oct 05 2022

web may 14 2019 now he turns his attention to a new war and in the initial volume of the revolution trilogy he recounts the first twenty one months of america s violent war for

rick atkinson the british are coming the war for - Oct 25 2021

the british are coming the war for america lexington - May 12 2023

web may 14 2019 the british are coming the war for america lexington to princeton 1775 1777 the revolution trilogy book 1 kindle edition by atkinson rick download

the british are coming macmillan - Jan 08 2023

web from the battles at lexington and concord in spring 1775 to those at trenton and princeton in winter 1776 american militiamen and then the ragged continental army

the british are coming the war for america lexington - Dec 07 2022

web apr 7 2020 *the british are coming the war for america lexington to princeton 1775 1777* paperback april 7 2020

the british are coming the war for america lexington to - Mar 10 2023

web dec 22 2021 *in the british are coming the war for america lexington to princeton 1775 1777* bestselling author rick atkinson characterizes rall and the formidable forces at trenton in 1777 in context with military affairs starting with the battles at lexington and concord in 1775 as atkinson s first volume in the revolution trilogy he presents the

the british are coming museum of the american revolution - Feb 09 2023

web may 14 2019 *the war for america lexington to princeton 1775 1777 the revolution trilogy volume 1* author rick atkinson honors about this book winner of the george

the british are coming the war for america lexington - Jun 13 2023

web may 16 2019 *buy the british are coming the war for america lexington to princeton 1775 1777* by atkinson rick isbn 9780008303297 from amazon s book

the british are coming the war for america lexington to - Apr 30 2022

web *the british are coming the war for america lexington to princeton 1775 1777 revolution trilogy hardcover* atkinson rick amazon com tr kitap

the british are coming the war for america lexington to - Sep 23 2021

the british are coming the war for america lexington to - Aug 03 2022

web *the british are coming the war for america lexington to princeton 1775 1777 the revolution trilogy book 1* audible audiobook unabridged rick atkinson author george newbern narrator rick atkinson introduction narrator macmillan audio

the british are coming the war for america lexington to - Sep 04 2022

web may 14 2019 *embed have one to sell see this image follow the author rick atkinson the british are coming the war for america lexington to princeton 1775 1777*

the british are coming the revolution trilogy - Aug 15 2023

to say that atkinson can tell a story is like saying sinatra can sing historians of the american revolution take note atkinson is coming he brings with him a tolstoyan view of see more

the british are coming the war for america lexington to - Jul 02 2022

web may 14 2019 *the british are coming the war for america lexington to princeton 1775 1777 ebook* atkinson rick amazon

co uk books

[islamic history a very short introduction goodreads](#) - Jan 08 2023

web does history matter this book argues not that history matters but that islamic history does this very short introduction introduces the story of islamic history the

islamic history a very short introduction ebooks com - Oct 05 2022

web this very short introduction introduces the story of islamic history the controversies surrounding its study and the significance that it holds for muslims and for non muslims

islamic history a very short introduction oa - Apr 30 2022

web opening with a lucid overview of the rise and spread of islam from the seventh to the twenty first century this very short introduction introduces the out of the society an

islamic history a very short introduction oxford academic - Jun 13 2023

web the introduction takes a brief look at the geography of islam now and in the past to show how these questions may be answered is islamic history the history of those places

islamic history a very short introduction very short introductions - Nov 06 2022

web this very short introduction introduces the story of islamic history the controversies surrounding its study and the significance that it holds for muslims and for non muslims alike

islamic history a very short introduction oxford academic - Oct 25 2021

web islamic history a very short introduction very short introductions oxford 2010 online edn oxford academic 24 sept 2013 doi org accessed 11 feb 2023

[islamic history a very short introduction amazon com](#) - Aug 03 2022

web this book argues not that history matters but that islamic history does this very short introduction introduces the story of islamic history the controversies surrounding its

[islamic history a very short introduction very sh copy ol wise edu](#) - Jan 28 2022

web islamic history a very short introduction very sh 1 islamic history a very short introduction very sh this is likewise one of the factors by obtaining the soft documents

[islam a very short introduction 2 e very short introductions](#) - Feb 26 2022

web islam a very short introduction 2 e very short introductions malise ruthven amazon com tr kitap

islamic history a very short introduction oxford university press - Sep 04 2022

web provides a chronological survey of the origins and subsequent spread of islam throughout the world demonstrates the cultural and religious diversity of islamic societies explores

islamic history a very short introduction oxford academic - Dec 07 2022

web the geographical environment in which islamic history unfolded shaped muslim societies in very particular ways the great arid zone presented muslims with harsh realities that

islam a very short introduction oxford academic - Dec 27 2021

web jan 26 2012 islam a very short introduction examines why islam has such major divisions between movements such as the shi ites the sunnis and the wahhabis and

references and further reading islamic history a very short - Nov 25 2021

web references and further reading islamic history a very short introduction very short introductions oxford 2010 online edn oxford academic 24 sept 2013

islamic history a very short introduction oxford academic - Aug 15 2023

web jan 21 2010 islamic history a very short introduction answers this question by introducing the story of islamic history the controversies surrounding its study and the

a brief history of islam all parts the religion of islam - Mar 30 2022

web apr 19 2006 parts of this article a brief history of islam part 1 of 5 the prophet of islam a brief history of islam part 2 of 5 the hijrah a brief history of islam part 3

islamic history a very short introduction google books - Apr 11 2023

web jan 21 2010 this book argues not that history matters but that islamic history does this very short introduction introduces the story of islamic history the controversies

islam a very short introduction ruthven malise free - Jun 01 2022

web english xiv 177 pages 18 cm islam a very short introduction examines why islam has such major divisions between movements such as the shi ites the sunnis and the

islamic history a very short introduction very short - Jul 02 2022

web jan 21 2010 this very short introduction introduces the story of islamic history the controversies surrounding its study and the significance that it holds for muslims and

copyright page islamic history a very short introduction - Sep 23 2021

web great clarendon street oxford ox2 6dpoxford university press is a department of the university of oxford it furthers the university s objective of excellence i

islamic history a very short introduction silverstein adam j - Jul 14 2023

web language english xviii 157 pages 18 cm opening with a lucid overview of the rise and spread of islam from the seventh to the twenty first century this very short

islamic history a very short introduction paperback adam j - Feb 09 2023

web 21 january 2010 isbn 9780199545728 176 pages paperback 174x111mm in stock very short introductions price 8 99
how did islam arise from the obscurity of seventh

islamic history a very short introduction google books - Mar 10 2023

web jan 21 2010 this book argues not that history matters but that islamic history does this very short introduction
introduces the story of islamic history the controversies

islamic history a very short introduction amazon com - May 12 2023

web feb 1 2010 opening with a lucid overview of the rise and spread of islam from the seventh to the twenty first century
this very short introduction introduces the story of