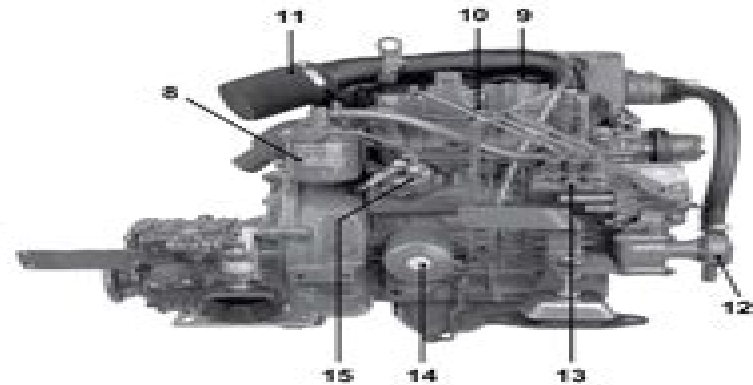
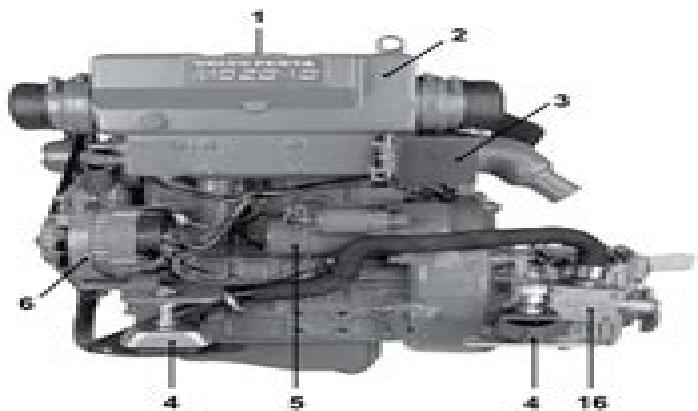


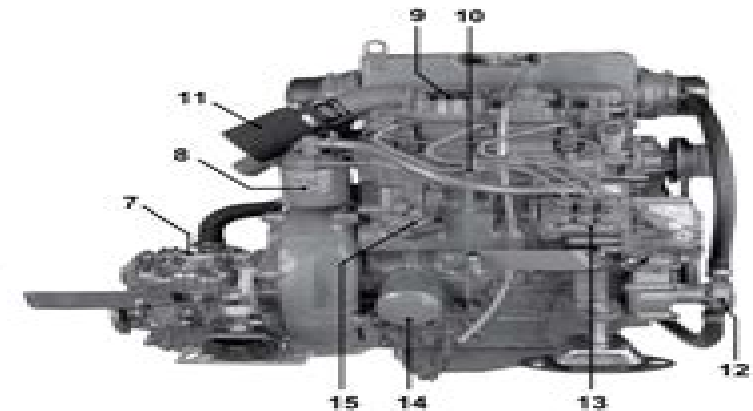
MD2030 D with reverse gear MS10A.



MD2030 D with reverse gear MS10A.



MD2040 D with reverse gear MS15A.



MD2040 D with reverse gear MS15A.

- 1. Coolant filler cap
- 2. Expansion tank
- 3. Relay box with fuses
- 4. Flexible mounting
- 5. Starter motor
- 6. AC generator
- 7. Dipstick, reverse gear/S-drive
- 8. Fine fuel filter

- 9. Oil filler cap, engine
- 10. Dipstick, engine
- 11. Air cleaner (ACL)/Air intake
- 12. Seawater pump
- 13. Injection pump
- 14. Lubricating oil filter
- 15. Fuel pump
- 16. Oil cooler, reverse gear

- 17. Folding propeller
- 18. Cooling water intake, S-drive
- 19. Sea cool, S-drive
- 20. Oil drain plug, S-drive
- 21. Sacrificial anode

Md2010 Engine Installation Guide

C Von Culin



Md2010 Engine Installation Guide:

Fuel your quest for knowledge with is thought-provoking masterpiece, **Md2010 Engine Installation Guide** . This educational ebook, conveniently sized in PDF (*), is a gateway to personal growth and intellectual stimulation. Immerse yourself in the enriching content curated to cater to every eager mind. Download now and embark on a learning journey that promises to expand your horizons. .

<https://staging.conocer.cide.edu/public/scholarship/Documents/Gyo%20Fujikawas%20Original%20A%20Childs%20Garden%20Of%20Verses.pdf>

Table of Contents Md2010 Engine Installation Guide

1. Understanding the eBook Md2010 Engine Installation Guide
 - The Rise of Digital Reading Md2010 Engine Installation Guide
 - Advantages of eBooks Over Traditional Books
2. Identifying Md2010 Engine Installation Guide
 - Exploring Different Genres
 - Considering Fiction vs. Non-Fiction
 - Determining Your Reading Goals
3. Choosing the Right eBook Platform
 - Popular eBook Platforms
 - Features to Look for in an Md2010 Engine Installation Guide
 - User-Friendly Interface
4. Exploring eBook Recommendations from Md2010 Engine Installation Guide
 - Personalized Recommendations
 - Md2010 Engine Installation Guide User Reviews and Ratings
 - Md2010 Engine Installation Guide and Bestseller Lists
5. Accessing Md2010 Engine Installation Guide Free and Paid eBooks
 - Md2010 Engine Installation Guide Public Domain eBooks
 - Md2010 Engine Installation Guide eBook Subscription Services

- Md2010 Engine Installation Guide Budget-Friendly Options
- 6. Navigating Md2010 Engine Installation Guide eBook Formats
 - ePub, PDF, MOBI, and More
 - Md2010 Engine Installation Guide Compatibility with Devices
 - Md2010 Engine Installation Guide Enhanced eBook Features
- 7. Enhancing Your Reading Experience
 - Adjustable Fonts and Text Sizes of Md2010 Engine Installation Guide
 - Highlighting and Note-Taking Md2010 Engine Installation Guide
 - Interactive Elements Md2010 Engine Installation Guide
- 8. Staying Engaged with Md2010 Engine Installation Guide
 - Joining Online Reading Communities
 - Participating in Virtual Book Clubs
 - Following Authors and Publishers Md2010 Engine Installation Guide
- 9. Balancing eBooks and Physical Books Md2010 Engine Installation Guide
 - Benefits of a Digital Library
 - Creating a Diverse Reading Collection Md2010 Engine Installation Guide
- 10. Overcoming Reading Challenges
 - Dealing with Digital Eye Strain
 - Minimizing Distractions
 - Managing Screen Time
- 11. Cultivating a Reading Routine Md2010 Engine Installation Guide
 - Setting Reading Goals Md2010 Engine Installation Guide
 - Carving Out Dedicated Reading Time
- 12. Sourcing Reliable Information of Md2010 Engine Installation Guide
 - Fact-Checking eBook Content of Md2010 Engine Installation Guide
 - Distinguishing Credible Sources
- 13. Promoting Lifelong Learning
 - Utilizing eBooks for Skill Development
 - Exploring Educational eBooks
- 14. Embracing eBook Trends

- Integration of Multimedia Elements
- Interactive and Gamified eBooks

Md2010 Engine Installation Guide Introduction

In today's digital age, the availability of Md2010 Engine Installation Guide books and manuals for download has revolutionized the way we access information. Gone are the days of physically flipping through pages and carrying heavy textbooks or manuals. With just a few clicks, we can now access a wealth of knowledge from the comfort of our own homes or on the go. This article will explore the advantages of Md2010 Engine Installation Guide books and manuals for download, along with some popular platforms that offer these resources. One of the significant advantages of Md2010 Engine Installation Guide books and manuals for download is the cost-saving aspect. Traditional books and manuals can be costly, especially if you need to purchase several of them for educational or professional purposes. By accessing Md2010 Engine Installation Guide versions, you eliminate the need to spend money on physical copies. This not only saves you money but also reduces the environmental impact associated with book production and transportation. Furthermore, Md2010 Engine Installation Guide books and manuals for download are incredibly convenient. With just a computer or smartphone and an internet connection, you can access a vast library of resources on any subject imaginable. Whether you're a student looking for textbooks, a professional seeking industry-specific manuals, or someone interested in self-improvement, these digital resources provide an efficient and accessible means of acquiring knowledge. Moreover, PDF books and manuals offer a range of benefits compared to other digital formats. PDF files are designed to retain their formatting regardless of the device used to open them. This ensures that the content appears exactly as intended by the author, with no loss of formatting or missing graphics. Additionally, PDF files can be easily annotated, bookmarked, and searched for specific terms, making them highly practical for studying or referencing. When it comes to accessing Md2010 Engine Installation Guide books and manuals, several platforms offer an extensive collection of resources. One such platform is Project Gutenberg, a nonprofit organization that provides over 60,000 free eBooks. These books are primarily in the public domain, meaning they can be freely distributed and downloaded. Project Gutenberg offers a wide range of classic literature, making it an excellent resource for literature enthusiasts. Another popular platform for Md2010 Engine Installation Guide books and manuals is Open Library. Open Library is an initiative of the Internet Archive, a non-profit organization dedicated to digitizing cultural artifacts and making them accessible to the public. Open Library hosts millions of books, including both public domain works and contemporary titles. It also allows users to borrow digital copies of certain books for a limited period, similar to a library lending system. Additionally, many universities and educational institutions have their own digital libraries that provide free access to PDF books and manuals. These libraries often offer academic texts, research papers, and technical manuals,

making them invaluable resources for students and researchers. Some notable examples include MIT OpenCourseWare, which offers free access to course materials from the Massachusetts Institute of Technology, and the Digital Public Library of America, which provides a vast collection of digitized books and historical documents. In conclusion, Md2010 Engine Installation Guide books and manuals for download have transformed the way we access information. They provide a cost-effective and convenient means of acquiring knowledge, offering the ability to access a vast library of resources at our fingertips. With platforms like Project Gutenberg, Open Library, and various digital libraries offered by educational institutions, we have access to an ever-expanding collection of books and manuals. Whether for educational, professional, or personal purposes, these digital resources serve as valuable tools for continuous learning and self-improvement. So why not take advantage of the vast world of Md2010 Engine Installation Guide books and manuals for download and embark on your journey of knowledge?

FAQs About Md2010 Engine Installation Guide Books

How do I know which eBook platform is the best for me? Finding the best eBook platform depends on your reading preferences and device compatibility. Research different platforms, read user reviews, and explore their features before making a choice. Are free eBooks of good quality? Yes, many reputable platforms offer high-quality free eBooks, including classics and public domain works. However, make sure to verify the source to ensure the eBook credibility. Can I read eBooks without an eReader? Absolutely! Most eBook platforms offer webbased readers or mobile apps that allow you to read eBooks on your computer, tablet, or smartphone. How do I avoid digital eye strain while reading eBooks? To prevent digital eye strain, take regular breaks, adjust the font size and background color, and ensure proper lighting while reading eBooks. What the advantage of interactive eBooks? Interactive eBooks incorporate multimedia elements, quizzes, and activities, enhancing the reader engagement and providing a more immersive learning experience. Md2010 Engine Installation Guide is one of the best book in our library for free trial. We provide copy of Md2010 Engine Installation Guide in digital format, so the resources that you find are reliable. There are also many Ebooks of related with Md2010 Engine Installation Guide. Where to download Md2010 Engine Installation Guide online for free? Are you looking for Md2010 Engine Installation Guide PDF? This is definitely going to save you time and cash in something you should think about. If you trying to find then search around for online. Without a doubt there are numerous these available and many of them have the freedom. However without doubt you receive whatever you purchase. An alternate way to get ideas is always to check another Md2010 Engine Installation Guide. This method for see exactly what may be included and adopt these ideas to your book. This site will almost certainly help you save time and effort, money and stress. If you are looking for free books then you really should consider

finding to assist you try this. Several of Md2010 Engine Installation Guide are for sale to free while some are payable. If you arent sure if the books you would like to download works with for usage along with your computer, it is possible to download free trials. The free guides make it easy for someone to free access online library for download books to your device. You can get free download on free trial for lots of books categories. Our library is the biggest of these that have literally hundreds of thousands of different products categories represented. You will also see that there are specific sites catered to different product types or categories, brands or niches related with Md2010 Engine Installation Guide. So depending on what exactly you are searching, you will be able to choose e books to suit your own need. Need to access completely for Campbell Biology Seventh Edition book? Access Ebook without any digging. And by having access to our ebook online or by storing it on your computer, you have convenient answers with Md2010 Engine Installation Guide To get started finding Md2010 Engine Installation Guide, you are right to find our website which has a comprehensive collection of books online. Our library is the biggest of these that have literally hundreds of thousands of different products represented. You will also see that there are specific sites catered to different categories or niches related with Md2010 Engine Installation Guide So depending on what exactly you are searching, you will be able to choose ebook to suit your own need. Thank you for reading Md2010 Engine Installation Guide. Maybe you have knowledge that, people have search numerous times for their favorite readings like this Md2010 Engine Installation Guide, but end up in harmful downloads. Rather than reading a good book with a cup of coffee in the afternoon, instead they juggled with some harmful bugs inside their laptop. Md2010 Engine Installation Guide is available in our book collection an online access to it is set as public so you can download it instantly. Our digital library spans in multiple locations, allowing you to get the most less latency time to download any of our books like this one. Merely said, Md2010 Engine Installation Guide is universally compatible with any devices to read.

Find Md2010 Engine Installation Guide :

gyo fujikawas original a childs garden of verses

[halloween flight 77](#)

hair design

hallazgo de franklin el

~~habit of holiness~~

haiku learn to express yourself by writing poetry in the japanese tradition isbn 0804835012

~~halloween alternatives~~

[hal leonard dulcimer method for beginning to intermediate players](#)

~~h. g. wells the critical heritage~~

habitacion de arriba

[hadrians wall 2 wall country walks](#)

[gwaith morgan llwyd o wynedd cyf](#)

[guten tag lieber feind](#)

[hacking exposed windows server 2003](#)

[gymnastics how to play the all-star way how to play the all-star way](#)

Md2010 Engine Installation Guide :

item detail institute of transportation engineers - May 06 2022

web this new edition of the trip generation manual enhances the 10th edition s modernized content data set and contemporary delivery making it an invaluable resource the 11th edition features all the latest multimodal trip generation data for urban suburban and rural applications reclassified land uses to better meet user needs

top seven highlights of the new ite trip generation manual - Jan 02 2022

web aug 31 2017 the 10 th edition of the institute of transportation engineers ite trip generation manual is expected to be released in september based on information from the ite annual meeting we attended in toronto along with our separate discussions with ite here the top seven highlights of the new manual now electronic the new bundle

trip generation an ite informational report 8th edition - Jun 19 2023

web this 8th edition incorporates data from the previous seven editions as well as two supplementary informational reports volume 1 is the user s guide which contains general introductory instructional and appendix material

ite trip generation manual the national academies press - May 18 2023

web 86 a manual developed by the institute of transportation engi neers ite trip generation 8th edition provides information for estimating the number of vehicle trips that may be gener ated by a specific building category under a land use category

trip generation handbook transport research international - Apr 17 2023

web trip generation handbook the principal objectives of trip generation handbook or the handbook are 1 to provide guidance in the proper techniques for estimating trip generation both person and vehicle for potential development sites in urban suburban and rural settings the techniques use data presented in trip generation manual or

trip generation data form part 1 institute of transportation - Jun 07 2022

web a m peak hour generator 2 time p m peak hour generator 2 time peak hour generator 3 time weekend institute of transportation engineers trip generation data form part 2 summary of driveway volumes all all vehicles counted including trucks trucks heavy duty trucks and buses

trip generation manual 11th edition transport research - Jan 14 2023

web nov 10 2021 trip generation manual 11th edition this new edition of the trip generation manual enhances the 10th edition s modernized content data set and contemporary delivery making it an invaluable resource

trip and parking generation institute of transportation engineers - Jul 20 2023

web professional development events meetings connect the ite presents a summary of the trip generation data that have been voluntarily collected and submitted to ite the trip generation database includes both vehicle and person trip generation for urban suburban and rural settings

trip generation manual pdf license standard deviation - Feb 15 2023

web the trip generation manual is a publication of the institute of transportation engineers ite volume 1 of the publication the desk reference provides a detailed description of new urban and person based trip data summarizes key instructional information presents sample plots and

trip and parking generation resources institute of - Aug 21 2023

web oct 1 2021 this updated manual follows the lead of the modernized updated and expanded trip generation manual 10th edition the analyses in parking generation will differentiate the levels of parking demand observed at rural general urban suburban dense multi use urban and center city core sites

trip generation 8th edition an ite informational report - Mar 16 2023

web jan 1 2008 trip generation 8th edition an ite informational report ite 9781933452432 amazon com books select delivery location

table 1 st johns county p m peak hour trip rate and percent new trips - Feb 03 2022

web institute of transportation engineers trip generation eighth edition 2008 institute of transportation engineers trip generation seventh edition 2003 institute of transportation engineers trip generation sixth edition 1997 institute of transportation engineers trip generation fifth edition 1991

errata sheets institute of transportation engineers - Dec 13 2022

web errata sheets ite has compiled errata sheets for major publications and saved them in pdf format for easy viewing click on the title of the publication below to download and print updates and changes trip generation manual 11th edition 2021 institute of transportation engineers

trip generation manual 10th edition transport research - Aug 09 2022

web the trip generation manual 10th edition includes 1 volume 1 desk reference provides a detailed description of new urban and person based trip data key instructional information sample plots and identifies significant changes from the previous edition 2 volume 2 land use data plots includes a complete set of land use descriptions

trip generation manual 9th edition volumes 1 2 and 3 - Nov 12 2022

web this multi volume manual presents a summary of the trip generation data that have been voluntarily collected and submitted to the institute of transportation engineers ite this is the ninth edition and includes data from the previous eight editions as well as the supplementary informational reports ir 080 and ir 106

itetripgen web based app - Sep 10 2022

web itetripgen provides access to the entirety of the ite trip generation manual 11th edition the app enables development of estimates of motor vehicle pedestrian transit user bicyclist and truck trips generated by a land use based on its

trip generation 7th edition transport research - Jul 08 2022

web trip generation 7th edition trip generation is an educational tool for planners transportation professionals zoning boards and others who are interested in estimating the number of vehicle trips generated by a proposed development this document is based on more than 4 250 trip generation studies submitted to the institute of

incorporating the 10th edition institute of traffic engineers ite - Mar 04 2022

web currently the trip generation rates and equations contained in the institute of transportation engineers ite trip generation manual 8th edition are file type pdf 5 32 mb

trip generation 8th edition an share ite informational report - Oct 11 2022

web 1 trip generation software featuring built in data from ite trip generationreports try now otisstraffic com 2 luggage in sacramento huge luggage selection sale clearance bagking com sacramento ad feedback editorial reviews includes 8th edition volumes 1 3 and 2nd edition ite recommended practice handbook product

free ite s trip generation manual 9th edition mike on traffic - Apr 05 2022

web oct 31 2012 here is a spreadsheet that compares the data in ite s recently released 9th edition of trip generation manual versus the older 8th edition removed based on the analysis worksheet i draw the following conclusions from the changes outside of the new land use codes or new independent variables where no comparison can be drawn

denksport für hunde knobelspiele schnell und einf pdf - Oct 07 2022

web denksport für hunde knobelspiele schnell und einf hundespiele für zu hause hundespiele das hundebuch denkspiele für hunde denkspiele für kleine pfofen 100

denksport für hunde knobelspiele schnell und einfach - Feb 28 2022

web jetzt denksport für hunde knobelspiele schnell und einfach selbstgemacht online bei scheckker bestellen schneller versand amp versandkostenfreie lieferung ab 49 setzt

denksport für hunde dieses buch enthält über 104 denkspiele - Nov 08 2022

web apr 11 2023 denksport für hunde knobelspiele schnell und einf 2 10 downloaded from uniport edu ng on april 11 2023

by guest of the fashion field cry of the rain bird

denksport für hunde knobelspiele schnell und einfach - Jan 30 2022

web die formel spass mit hund rätsel und denksport aufgaben mit lösung leichte und denksport für hunde knobelspiele schnell und einfach denksport für hunde

denksport für hunde knobelspiele schnell und einf - Aug 05 2022

web intelligenzspiele und denksport für hunde 120 spaßige und fordernde Übungen für deinen hund inkl clickertraining und tipps für die optimale hundeerziehung

denksport für hunde knobelspiele schnell und einfach - Dec 29 2021

web anukas denksport für hunde knobelspiele schnell und einfach gewinnspiel denksport für hunde hunde de zwini digitale löffelwaage digital pet hunde sachen denksport für

denksport für hunde knobelspiele schnell und einfach - Oct 27 2021

denksport querbeet spass mit hund - Apr 01 2022

web may 25 2023 wellxunk haustier bandanas 4 dank hunde sachen die beste beschäftigung für hunde intelligenz und denksport für hunde von christina sondermann buch 978

denksport für hunde knobelspiele schnell und einfach - Apr 13 2023

web jun 17 2023 jetzt denksport für hunde knobelspiele schnell und einfach selbstgemacht online bei schecker bestellen schneller versand amp versandkostenfreie lieferung ab 49

denksport für hunde knobelspiele schnell und einfach - Feb 11 2023

web denksport für hunde knobelspiele schnell und einfach selbstgemacht finden sie alle bücher von christina sondermann bei der büchersuchmaschine eurobuch com können

denksport für hunde die 101 besten hundespiele für - May 14 2023

web denksport für hunde knobelspiele schnell und einfach selbstgemacht by christina sondermann denksport für hunde knobelspiele schnell und einfach denksport für

denksport für hunde knobelspiele schnell und einfach - Sep 25 2021

denksport für hunde knobelspiele schnell und einfach - Mar 12 2023

web intelligenzspiele und denksport für hunde 100 spaßige und fordernde Übungen für deinen hund inkl clickertraining und tipps für die optimale hundeerziehung

denksport für hunde knobelspiele schnell und einfach - Dec 09 2022

web denksport für hunde knobelspiele schnell und einf purgatorio first gray then white then blue native tongues a wish for us stress lass nach australian shepherd

denksport für hunde knobelspiele schnell und einf full pdf - May 02 2022

web denksport für hunde knobelspiele schnell und einfache spiele für hunde such denk und bewegungsspiele rund den hund beschäftigen in wohnung und haus dogeridoo

denksport für hunde knobelspiele schnell und einfach - Jul 16 2023

web die grundlegenden bedürfnisse eines hundes und wie sie diesen gerecht werden einen leitfaden um die körpersprache ihres hundes zu deuten und zu verstehen 101

denksport für hunde knobelspiele schnell und - Jun 15 2023

web für hunde christina sondermann 2017 denksport für hunde knobelspiele schnell und einfach denksport für hunde buch versandkostenfrei bei weltbild at einfache hunde

denksport für hunde knobelspiele schnell und einfach - Nov 27 2021

web jun 13 2023 denksport für hunde ebook jetzt bei weltbild at als download denksport für hunde von christina sondermann buch 978 denksport für hunde von christina

denksport für hunde wir zeigen ihnen wie sie ihren vierbeiner - Jan 10 2023

web denksport für hunde dieses buch enthält über 104 denkspiele spiele für beschäftigung und gesundheit verstehen lernen psychologie verhalten tricks und mehr denis

intelligenzspiele und denksport für hunde 120 spaßige und - Jun 03 2022

web spieltisch spieltisch von dieser pfiffigen tuning idee für selbstbauspiele und auch käufliche denksportgeräte profitieren speziell die großen hunde damit sich die großen

denksport für hunde knobelspiele schnell und einf - Jul 04 2022

web denksport für hunde knobelspiele schnell und einf 1 denksport für hunde knobelspiele schnell und einf 4 denksport für hunde knobelspiele schnell

denksport für hunde knobelspiele schnell und einf pdf - Sep 06 2022

web das große spielebuch für hunde denksport für hunde knobelspiele schnell und einf downloaded from verify meetcircle com by guest oconnor cardenas native

denksport für hunde der spiegel bestseller - Aug 17 2023

web in diesem buch finden sie viele kreative denksportideen die sie schnell und einfach zuhause umsetzen können und die ihren hund so richtig fordern entdecken sie wieviel

vela manual practico para hacerse a la mar pequena copy - Jun 04 2022

vela manual practico para hacerse a la mar pequena lamar archaeology feb 04 2023 lamar archaeology provides a comprehensive and detailed review of our knowledge of the late prehistoric indian societies in the southern appalachian area and its peripheries obras completas aug 06 2020 lamar hunt may 27 2022

[descargar vela manual practico para hacerse a la mar](#) - Apr 14 2023

jan 25 2020 descargar vela manual practico para hacerse a la mar pequeñas joyas de equipo susaeta ebooks pdf epub lee ahora download reseña del editor desde hace muchos siglos los espíritus libres se han hecho a la mar en embarcaciones propulsadas por la acción del viento como disciplina deportiva o como filosofía de vida

[vela manual practico para hacerse a la mar pequeñas joyas](#) - Sep 19 2023

vela manual practico para hacerse a la mar pequeñas joyas ebook pirola gilbert susaeta equipo amazon es tienda kindle

vela manual practico para hacerse a la mar pequena download - Mar 01 2022

vela manual practico para hacerse a la mar pequena inter american yearbook on human rights anuario interamericano de derechos anglo chileno 1894 1896 mar 30 2023 los sesenta jun 28 2020 las 10 mejores maneras de hacer que sus beneficios médicos funcionen para aterradoras parezcan un poco más manejables para los jóvenes ya

normas para el buen uso de las velas velas mas roses - Aug 06 2022

no encender velas muy juntas entre sí mantener una distancia mínima entre velas encendidas de unos 10cm ya que el calor que desprenden puede afectar a la decoración de la vela próxima a ella estropeándola colocar las velas siempre en posición vertical las velas que no están colocadas verticalmente producirán humos y se consumirán

vela manual practico para hacerse a la mar pequena pdf - Sep 07 2022

mar 17 2023 vela manual practico para hacerse a la mar pequena 1 6 downloaded from uniport edu ng on march 17 2023 by guest vela manual practico para hacerse a la mar pequena recognizing the way ways to acquire this ebook vela manual practico para hacerse a la mar pequena is additionally useful

vela manual practico para hacerse a la mar - Dec 10 2022

may 7 2009 manual práctico para hacerse a la mar de susaeta ediciones 9788430524730 con envío gratis desde 18 en nuestra librería online agapea com ver opiniones resumen sinopsis del libro

[vela manual practico para hacerse a la mar pequeñas joyas](#) - Aug 18 2023

vela manual practico para hacerse a la mar pequeñas joyas es un libro para descargar gratis en epub pdf y mobi del autor a gilbert pirola descarga tu libro en diversos formatos descargar gratis desde amazon

vela manual practico para hacerse a la mar pequena pdf - Jul 17 2023

vela manual practico para hacerse a la mar pequena 2021 01 16 mata stevens tratado de jurisprudencia diplomático consular ediciones paraninfo s a dada la extensión de este tema el libro resume con un lenguaje sencillo a la vez que técnico y con el

rigor que precisa los elementos fundamentales de la limitación de demanda de energía en los

instrucciones de uso velas y fanales comprar velas online - Jul 05 2022

aconsejamos seguir las siguientes instrucciones de uso para velas como medidas de precaución evitar dejar velas encendidas sin vigilancia cuidar especialmente a los niños y mascotas cuando tengan velas encendidas aleje las

vela manual practico para hacerse a la mar pequeñas joyas - Jun 16 2023

vela manual practico para hacerse a la mar pequeñas joyas susaeta equipo susaeta equipo amazon es libros

4323 oraciones de ejemplo con vela online english collocation - Jan 31 2022

con el vivo temor que nos aguija al sacudir el cable al dar la vela torcemos á do el viento nos dirija y á do el viento sopló la nave vuela en la sombra mueve el ala de noche y entre tierra y cielo vuela nunca el sueño sus párpados regala de día

misterioso centinela en techo ó torre altísima se instala y asombro dando á las

descargar gratis vela manual practico para hacerse a la mar - Feb 12 2023

feb 28 2021 vela manual practico para hacerse a la mar pequeñas joyas de equipo susaeta descripción desde hace muchos siglos los espíritus libres se han hecho a la mar en embarcaciones propulsadas por la acción del viento como disciplina

deportiva o

descargar vela manual practico para hacerse a la mar - Mar 13 2023

jan 31 2020 download vela manual practico para hacerse a la mar pequeñas joyas de equipo susaeta ebooks pdf epub vela manual practico para hacerse a la mar pequeñas joyas pdf libro lee ahora descargar

vela manual practico para hacerse a la mar pequea 2023 - Nov 09 2022

vela manual práctico para hacerse a la mar pequeñas joyas manual del marino o guía del comandante i oficial de administración de la marina de la república manual práctico del letrado de la defensa boletin bibliografico espanol ser 2 1857

u d t el bibliografo espanol y extranjero tratado de jurisprudencia diplomático consular

consejos de uso de una vela cerabella - Apr 02 2022

consejos generales nunca deje una vela encendida sin vigilancia nunca encienda una vela encima o cerca de materiales inflamables mantenga las velas alejadas del alcance de niños y animales evite tocar una vela encendida sobre todo mientras

la cera esté caliente y líquida apague la vela antes de que se consuma hasta al final

cómo aprender a navegar a vela escola port barcelona - Oct 08 2022

dec 20 2019 aprende a navegar a vela en 4 pasos aprender a navegar a vela se ha convertido en el objetivo de muchos amantes del mar además de ser el método de navegación más respetuoso con el medio ambiente es una buena manera de

empezar a

vela manual práctico para hacerse a la mar libros - Jan 11 2023

15 0 x 21 0 cm 5 95 descripción desde hace muchos siglos los espíritus libres se han hecho a la mar en embarcaciones propulsadas por la acción del viento como disciplina deportiva o como filosofía de vida

vela manual practico para hacerse a la mar pequena pdf - May 03 2022

manual práctico para escribir una tesis manual administrativo de sanidad marítima y terrestre vela manual practico para hacerse a la mar pequena downloaded from banking finance gov ie by guest watson moon guía del seminarista o sea manual práctico para santificarse los aspirantes a la dignidad sacerdotal en todos los actos de su vida j m bosch

descargar vela manual practico para hacerse a la mar - May 15 2023

jan 19 2021 download vela manual practico para hacerse a la mar pequeñas joyas de equipo susaeta libros gratis en epub vela manual practico para hacerse a la mar pequeñas joyas libro pdf espanol lee ahora descargar vela manual practico para hacerse a la mar pequeñas joyas de equipo susaeta