

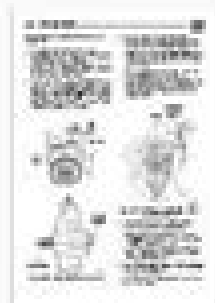
Page Thumbnails



675



676



677



678

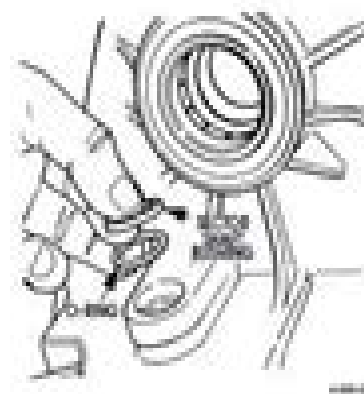


Figure 8-106 Water shaft bearing and O-ring removal

- 26 Remove belt pulley from motor to first case. This motor is driven by spring in case with screwdriver positioned to motor side (Figure 8-107).

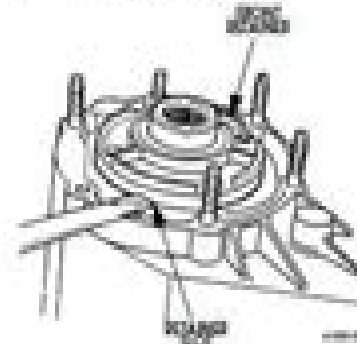


Figure 8-107 Belt pulley removal

- 27 Disassemble input gear and free input planetary rollers:

- Remove retaining ring that secures input gear to free planetary (Figure 8-108).
- Remove lock ring and free input roller (Figure 8-109).
- Remove input gear and free input roller from free planetary (Figure 8-109).

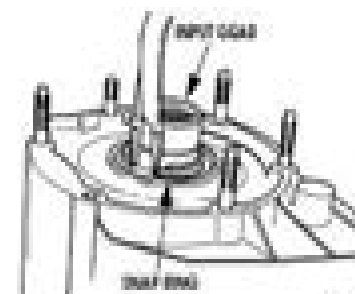


Figure 8-108 Input gear retaining ring removal

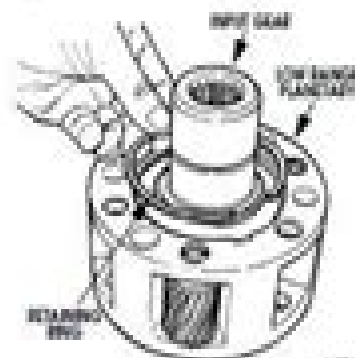


Figure 8-109 Input gear retaining ring removal

www.downloadworkshopmanuals.com

- 28 Remove input gear and free input planetary as assembly. Tap input gear with outside of plastic mallet to free it from housing.

Hummer H1 Manual Transmission

Marco Cascella



Hummer H1 Manual Transmission:

Thank you for downloading **Hummer H1 Manual Transmission**. Maybe you have knowledge that, people have look numerous times for their favorite books like this Hummer H1 Manual Transmission, but end up in harmful downloads. Rather than reading a good book with a cup of tea in the afternoon, instead they are facing with some infectious bugs inside their computer.

Hummer H1 Manual Transmission is available in our book collection an online access to it is set as public so you can get it instantly.

Our books collection saves in multiple countries, allowing you to get the most less latency time to download any of our books like this one.

Merely said, the Hummer H1 Manual Transmission is universally compatible with any devices to read

<https://staging.conocer.cide.edu/public/Resources/HomePages/Honda%20Life%20Manual%20Transmission.pdf>

Table of Contents Hummer H1 Manual Transmission

1. Understanding the eBook Hummer H1 Manual Transmission
 - The Rise of Digital Reading Hummer H1 Manual Transmission
 - Advantages of eBooks Over Traditional Books
2. Identifying Hummer H1 Manual Transmission
 - Exploring Different Genres
 - Considering Fiction vs. Non-Fiction
 - Determining Your Reading Goals
3. Choosing the Right eBook Platform
 - Popular eBook Platforms
 - Features to Look for in an Hummer H1 Manual Transmission
 - User-Friendly Interface
4. Exploring eBook Recommendations from Hummer H1 Manual Transmission
 - Personalized Recommendations

- Hummer H1 Manual Transmission User Reviews and Ratings
- Hummer H1 Manual Transmission and Bestseller Lists
- 5. Accessing Hummer H1 Manual Transmission Free and Paid eBooks
 - Hummer H1 Manual Transmission Public Domain eBooks
 - Hummer H1 Manual Transmission eBook Subscription Services
 - Hummer H1 Manual Transmission Budget-Friendly Options
- 6. Navigating Hummer H1 Manual Transmission eBook Formats
 - ePub, PDF, MOBI, and More
 - Hummer H1 Manual Transmission Compatibility with Devices
 - Hummer H1 Manual Transmission Enhanced eBook Features
- 7. Enhancing Your Reading Experience
 - Adjustable Fonts and Text Sizes of Hummer H1 Manual Transmission
 - Highlighting and Note-Taking Hummer H1 Manual Transmission
 - Interactive Elements Hummer H1 Manual Transmission
- 8. Staying Engaged with Hummer H1 Manual Transmission
 - Joining Online Reading Communities
 - Participating in Virtual Book Clubs
 - Following Authors and Publishers Hummer H1 Manual Transmission
- 9. Balancing eBooks and Physical Books Hummer H1 Manual Transmission
 - Benefits of a Digital Library
 - Creating a Diverse Reading Collection Hummer H1 Manual Transmission
- 10. Overcoming Reading Challenges
 - Dealing with Digital Eye Strain
 - Minimizing Distractions
 - Managing Screen Time
- 11. Cultivating a Reading Routine Hummer H1 Manual Transmission
 - Setting Reading Goals Hummer H1 Manual Transmission
 - Carving Out Dedicated Reading Time
- 12. Sourcing Reliable Information of Hummer H1 Manual Transmission
 - Fact-Checking eBook Content of Hummer H1 Manual Transmission

- Distinguishing Credible Sources
- 13. Promoting Lifelong Learning
 - Utilizing eBooks for Skill Development
 - Exploring Educational eBooks
- 14. Embracing eBook Trends
 - Integration of Multimedia Elements
 - Interactive and Gamified eBooks

Hummer H1 Manual Transmission Introduction

Free PDF Books and Manuals for Download: Unlocking Knowledge at Your Fingertips In today's fast-paced digital age, obtaining valuable knowledge has become easier than ever. Thanks to the internet, a vast array of books and manuals are now available for free download in PDF format. Whether you are a student, professional, or simply an avid reader, this treasure trove of downloadable resources offers a wealth of information, conveniently accessible anytime, anywhere. The advent of online libraries and platforms dedicated to sharing knowledge has revolutionized the way we consume information. No longer confined to physical libraries or bookstores, readers can now access an extensive collection of digital books and manuals with just a few clicks. These resources, available in PDF, Microsoft Word, and PowerPoint formats, cater to a wide range of interests, including literature, technology, science, history, and much more. One notable platform where you can explore and download free Hummer H1 Manual Transmission PDF books and manuals is the internet's largest free library. Hosted online, this catalog compiles a vast assortment of documents, making it a veritable goldmine of knowledge. With its easy-to-use website interface and customizable PDF generator, this platform offers a user-friendly experience, allowing individuals to effortlessly navigate and access the information they seek. The availability of free PDF books and manuals on this platform demonstrates its commitment to democratizing education and empowering individuals with the tools needed to succeed in their chosen fields. It allows anyone, regardless of their background or financial limitations, to expand their horizons and gain insights from experts in various disciplines. One of the most significant advantages of downloading PDF books and manuals lies in their portability. Unlike physical copies, digital books can be stored and carried on a single device, such as a tablet or smartphone, saving valuable space and weight. This convenience makes it possible for readers to have their entire library at their fingertips, whether they are commuting, traveling, or simply enjoying a lazy afternoon at home. Additionally, digital files are easily searchable, enabling readers to locate specific information within seconds. With a few keystrokes, users can search for keywords, topics, or phrases, making research and finding relevant information a breeze. This efficiency saves time and effort, streamlining the learning process and allowing individuals to focus on extracting the

information they need. Furthermore, the availability of free PDF books and manuals fosters a culture of continuous learning. By removing financial barriers, more people can access educational resources and pursue lifelong learning, contributing to personal growth and professional development. This democratization of knowledge promotes intellectual curiosity and empowers individuals to become lifelong learners, promoting progress and innovation in various fields. It is worth noting that while accessing free Hummer H1 Manual Transmission PDF books and manuals is convenient and cost-effective, it is vital to respect copyright laws and intellectual property rights. Platforms offering free downloads often operate within legal boundaries, ensuring that the materials they provide are either in the public domain or authorized for distribution. By adhering to copyright laws, users can enjoy the benefits of free access to knowledge while supporting the authors and publishers who make these resources available. In conclusion, the availability of Hummer H1 Manual Transmission free PDF books and manuals for download has revolutionized the way we access and consume knowledge. With just a few clicks, individuals can explore a vast collection of resources across different disciplines, all free of charge. This accessibility empowers individuals to become lifelong learners, contributing to personal growth, professional development, and the advancement of society as a whole. So why not unlock a world of knowledge today? Start exploring the vast sea of free PDF books and manuals waiting to be discovered right at your fingertips.

FAQs About Hummer H1 Manual Transmission Books

How do I know which eBook platform is the best for me? Finding the best eBook platform depends on your reading preferences and device compatibility. Research different platforms, read user reviews, and explore their features before making a choice. Are free eBooks of good quality? Yes, many reputable platforms offer high-quality free eBooks, including classics and public domain works. However, make sure to verify the source to ensure the eBook credibility. Can I read eBooks without an eReader? Absolutely! Most eBook platforms offer web-based readers or mobile apps that allow you to read eBooks on your computer, tablet, or smartphone. How do I avoid digital eye strain while reading eBooks? To prevent digital eye strain, take regular breaks, adjust the font size and background color, and ensure proper lighting while reading eBooks. What the advantage of interactive eBooks? Interactive eBooks incorporate multimedia elements, quizzes, and activities, enhancing the reader engagement and providing a more immersive learning experience. Hummer H1 Manual Transmission is one of the best book in our library for free trial. We provide copy of Hummer H1 Manual Transmission in digital format, so the resources that you find are reliable. There are also many Ebooks of related with Hummer H1 Manual Transmission. Where to download Hummer H1 Manual Transmission online for free? Are you looking for Hummer H1 Manual Transmission PDF? This is definitely going to save you time and cash in something you should think about.

Find Hummer H1 Manual Transmission :

[honda life manual transmission](#)

[honda sh 150 2012 manual](#)

[honda outboard bf20 manual](#)

honda manual honda bf8

[honda pioneer 700 service manual repair 2014 sxs700 utv](#)

honda rubicon 500 4x4 repair manual

[honda ohv repair manual](#)

[honda jazz manual transmission](#)

honda service manual hrr216

honda outboard parts manual

honda hybrid maintenance manual

~~honda hs 35 manual~~

honda rv generator ev6010 manual

~~honda hs520 service manual~~

[honda rancher tech manual](#)

Hummer H1 Manual Transmission :

histoire géographie emc 2de bac pro livre de l élève cultura - Jan 25 2023

web woessner histoire g ographie bac pro pdf bep seconde professionnelle et terminale hachette vamos 2nde bac pro mrcu
livre du professeur maths pour tous bep cours

histoire ga c ographie seconde pro bep livre de l pdf - Aug 20 2022

web histoire ga c ographie seconde pro bep livre de l catalogue de l histoire de france biographie suite supplément
biographie nouvelle des contemporains ou dictionnaire

histoire géographie 2nde professionnelle bep decitre - Dec 24 2022

web jun 6 2023 novels like this histoire ga c ographie seconde pro bep livre de l but end up in harmful downloads rather
than enjoying a good book with a cup of tea in the

histoire géographie emc 2de bac pro 2020 - Mar 27 2023

web apr 1 2003 histoire géographie 2nde professionnelle bep de gilles labadou Éditeur hachette livraison gratuite à 0 01

dès 35 d achat librairie decitre votre prochain

where to download histoire ga c ographie seconde pro bep - Mar 15 2022

web 2de épreuve regroupant le français l histoire géographie et l enseignement moral et civique des fiches de révisions pour retenir les points clés histoire ga c ographie

histoire géographie seconde pro bep livre de l élève by b - Feb 23 2023

web jun 21 2000 histoire géographie bep 2nde professionnelle et terminale de eric roger Éditeur bertrand lacoste livraison gratuite à 0 01 dès 35 d achat librairie decitre

histoire ga c ographie seconde pro bep livre de l pdf - Sep 20 2022

web histoire ga c ographie seconde pro bep livre de l biographie universelle ou dictionnaire historique des hommes qui se sont fait un nom par leur génie leurs talents

amazon fr histoire géographie seconde pro bep livre de - Jul 31 2023

web histoire géographie seconde pro bep livre de l élève by b allain chevalier programmes bac pro toutes les matieres de premiere et description read download

manuel histoire géographie emc 2de bac pro - Sep 01 2023

web histoire géographie seconde pro bep livre de l élève belin isbn 9782701122724 et tous les livres scolaires en livraison 1 jour ouvré avec amazon premium

histoire géographie seconde pro bep livre de l élève by b - Oct 22 2022

web histoire ga c ographie seconde pro bep livre de l travail sur poste informatique may 04 2022 les corrigés de la pochette d énoncés après la présentation des systèmes

histoire géographie seconde pro bep livre de l élève by b - Oct 10 2021

histoire géographie bep 2nde professionnelle et de eric roger - Nov 22 2022

web apr 23 2023 histoire ga c ographie seconde pro bep livre de l 1 10 downloaded from uniport edu ng on april 23 2023 by guest histoire ga c ographie seconde pro bep

histoire gã ographie seconde pro bep livre de l ã lã ve by b - Apr 15 2022

web contemporain seconde pro bep fr histoire gographie seconde pro bep livre de bac pro 2020 sujet et corrig histoire gographie gographie socioculturelle hal

histoire géographie seconde pro bep livre de l élève by b - Jun 29 2023

web histoire ga c ographie seconde pro bep livre de l annales de geographie n 713 1 2017 mar 13 2020 de la ga c ographie et de l histoire ou recueil

[histoire ga c ographie seconde pro bep livre de l full pdf](#) - Jul 19 2022

web histoire gã ographie seconde pro bep livre de l ã lã ve by b projet de programme de cycle 4 education gouv fr hachette education des livres pour enseigner

[pdf histoire ga c ographie bep terminale livre du pro pdf](#) - Dec 12 2021

[histoire ga c ographie seconde pro bep livre de l 2022](#) - May 17 2022

web march 29th 2020 histoire géographie seconde pro bep livre de l élève belin isbn 9782701122724 et tous les livres scolaires en livraison 1 jour ouvré avec ads les cahiers

manuel histoire géographie 2de lelivrescolaire fr - May 29 2023

web histoire géographie seconde pro bep livre de l élève by b allain chevallier histoire géographie seconde pro bep livre de l élève by b allain chevallier studyrama

histoire géographie bep seconde professionnelle by c durand - Jan 13 2022

web may 1st 2020 l histoire géographie et l enseignement moral et civique sont à l honneur en ce deuxième jour de brevet 2018 consultez aussi le sujet de la série pro du brevet

pdf histoire ga c ographie seconde pro bep livre de l - Apr 27 2023

web histoire géographie emc 2de bac pro livre de l élève édition 2019 26 20 auteur isabelle fira ean 9782017096900 public averti non vendu et expédié par cultura

histoire ga c ographie seconde pro bep livre de l crm vasista - Jun 17 2022

web histoire ga c ographie seconde pro bep livre de l is within reach in our digital library an online entrance to it is set as public appropriately you can download it instantly our

[histoire géographie seconde pro bep livre de l élève by b](#) - Nov 10 2021

livre géographie terminale s belin pdf prof - Feb 11 2022

web histoire géographie seconde pro bep livre de l élève by b allain chevallier histoire géographie seconde pro bep livre de l élève by b allain chevallier full text of

[pdf business driven information systems semantic scholar](#) - Jun 14 2023

web feb 18 2020 business driven information systems business driven information systems also known as bdis discusses business initiatives first and then how technology supports those initiatives the premise for this unique approach is that business initiatives drive technology decisions in a corporation

[test bank for business driven information systems](#) - Dec 08 2022

web test bank for business driven information systems 8th edition baltzan test item files for business driven information systems 8th edition by paige baltzan amy phillips isbn10 1264746792 isbn13 9781264746798 isbn10 126413682x isbn13 9781264136827 table of contents module 1 business driven mis

test bank for business driven information systems 8th edition - Jul 15 2023

web dec 28 2022 institution mis test bank for business driven information systems 8e 8th edition by paige baltzan amy phillips isbn 13 6827 isbn 10 x full chapters test bank included module 1 business driven mis chapter 1 management information systems business driven mis chapter 2 decisions and processes v show more

test bank for business driven information systems - Mar 11 2023

web test bank for business driven information systems 8th edition baltzan exam bank for business driven information systems 8th edition by paige baltzan amy phillips isbn10 1264746792 isbn13 9781264746798 isbn10 126413682x isbn13 9781264136827 table of contents module 1 business driven mis

business driven information systems 8th edition baltzan - Aug 04 2022

web business driven information systems 8th edition baltzan isbn 9781264136827 test bank test bank for business driven information systems 8th edition paige baltzan amy phillips isbn10 1264746792 isbn13 9781264746798 isbn10 126413682x isbn13 9781264136827 table of contents module 1 business driven mis

business driven information systems 5th edition baltzan test bank - Mar 31 2022

web feb 6 2018 learning outcome 02 07 differentiate among automation streamlining and reengineering topic using mis to improve business processes difficulty 3 hard blooms analyze accessibility keyboard

test bank for business driven information systems 8th - Feb 10 2023

web test bank for business driven information systems 8th edition baltzan test bank for business driven information systems 8th edition paige baltzan amy phillips isbn10 1264746792 isbn13 9781264746798 isbn10 126413682x isbn13 9781264136827 table of contents module 1 business driven mis chapter 1 management

business driven information systems baltzan chap 7 - May 13 2023

web terms in this set 78 local area network lan connects a group of computers in close proximity wide area network wan connects computers scattered over a wide area attenuation loss of network signal strength measured in decibels as signal travels over increasingly longer distances repeater

business driven information systems 4th edition paige baltzan test - Jul 03 2022

web feb 6 2018 business driven information systems 4th edition paige baltzan test bank full download

business driven management information systems 3rd edition baltzan test - Jun 02 2022

web business driven management information systems 3rd edition baltzan baltzan test bank with answer keys for the tests

question only no solutions for textbook s question included on this purchase if you want the solutions manual

test bank business driven information systems 8th edition by baltzan - Feb 27 2022

web jan 17 2023 test bank for business driven information systems 8th edition 8e by paige baltzan amy phillips test bank isbn 13 9781264136827 full chapters included module 1 business driven mis chapter 1 management information systems business driven mis chapter 2 decisions and processes value driven

test bank for business driven information systems 4th edition - May 01 2022

web aug 10 2018 test bank for business driven information systems 4th edition by paige baltzan full clear download no formatting error at

test bank for business driven information systems 8th edition by - Nov 07 2022

web name test bank for business driven information systems 8th edition by paige baltzan edition 8th edition author by paige baltzan isbn 9781264136827 type test bank format word zip all chapter include

business driven information systems 8e test bank baltzan - Sep 05 2022

web business driven information systems 8e test bank baltzan test bank for business driven information systems 8th edition paige baltzan amy phillips isbn10 1264746792 isbn13 9781264746798 isbn10 126413682x isbn13 9781264136827 table of contents module 1 business driven mis chapter 1 management

test bank solution manual for business driven information systems 7e - Oct 18 2023

web test bank solution manual for business driven information systems 7e baltzan business driven studocu solutions test bank ebook for business driven information systems 7th edition by paige baltzan 1260262480 9781260262483 connect assignments connect skip to document university

test bank for business driven information systems 8 e baltzan - Apr 12 2023

web test bank for business driven information systems 8 e baltzan test bank for business driven information systems 8th edition paige baltzan amy phillips isbn10 1264746792 isbn13 9781264746798 isbn10 126413682x isbn13 9781264136827 table of contents module 1 business driven mis chapter 1 management

test bank for business driven information systems 8th edition baltzan - Oct 06 2022

web test bank for business driven information systems 8th edition baltzan test bank for business driven information systems 8th edition paige baltzan amy phillips isbn10 1264746792 isbn13 9781264746798 isbn10 126413682x isbn13 9781264136827 table of contents module 1 business driven mis

business driven information systems mcgraw hill - Aug 16 2023

web business driven information systems business driven information systems 8th edition isbn10 126413682x isbn13 9781264136827 by paige baltzan and amy phillips 2023 purchase options lowest price ebook from 59 00 print from 70 00

connect from 148 71 mcgraw hill ebook 180 days rental expires 5 8 2024 59 00 lifetime

test bank and solutions for business driven information systems - Sep 17 2023

web test bank and solutions for business driven information systems 8th edition by paige baltzan studocu solutions manual

ebook test bank for business driven information systems 8th edition by paige baltzan amy phillips 126413682x

9781264136827 and connect skip to document

business driven technology 8th edition baltzan 2020 test bank test - Jan 09 2023

web may 11 2019 home request form about us facebook page whatsapp us chat messages telegram us chat messages list of

solution manual and test bank for ebooks 2022 2023 part 1

als wir waisen waren wikiwand - Sep 05 2022

web als wir waisen waren ist ein roman des britischen schriftstellers kazuo ishiguro der roman erschien 2000 unter dem titel

when we were orphans im verlag faber and faber in london und wurde im selben jahr von sabine herting ins deutsche

übersetzt der roman wurde für den höchsten britischen literaturpreis den booker prize nominiert

als wir waisen waren roman kindle ausgabe amazon de - Nov 07 2022

web beide waren in den opiumhandel verstrickt der vater als profiteur die mutter als erklärete gegnerin als die erinnerungen

an die zeit als er waise wurde banks immer häufiger quälen beschließt er sich auf den weg nach shanghai zu machen um

endlich das größte rätsel seines lebens zu lösen

als wir waisen waren e kitap kazuo ishiguro epub kobo com - May 13 2023

web rakuten kobo dan kazuo ishiguro tarafında als wir waisen waren roman kitabını okuyun england in den dreißigerjahren

ganz london schwärmt von christopher banks und seinen erolgen es gibt nur einen fall

kazuo ishiguro als wir waisen waren roman perlentaucher - Jul 15 2023

web ishiguros fünfter roman als wir waisen waren eine neubearbeitung der grundidee seines vierten romans die

ungetrösteten erklärt rezensentin angela schader der held der geschichte christopher banks wurde auf mysteriöser art von

seinen eltern getrennt und im erwachsenenleben dann detektiv

als wir waisen waren roman - Jan 09 2023

web als wir waisen waren roman bestellen sie mit einem klick für 14 00 seiten 432 erscheinungstermin 15 märz 2021 mehr

informationen zum buch gibt es auf

als wir waisen waren wikipedia - Aug 16 2023

web als wir waisen waren ist ein roman des britischen schriftstellers kazuo ishiguro der roman erschien 2000 unter dem titel

when we were orphans im verlag faber and faber in london und wurde im selben jahr von sabine herting ins deutsche

übersetzt der roman wurde für den höchsten britischen literaturpreis den booker prize nominiert

[als wir waisen waren roman kazuo ishiguro google books](#) - Dec 08 2022

web in seinem neuen roman der ebenfalls gleich nach erscheinen die bestsellerlisten eroberte erzählt ishiguro die geschichte von christopher banks dem berühmtesten detektiv im england der dreißiger jahre banks wird vom ungelösten geheimnis seines eigenen lebens gequält als kind verlor er unter mysteriösen umständen in shanghai seine eltern

[3763251146 als wir waisen waren roman ishiguro kazuo](#) - Feb 27 2022

web als wir waisen waren roman finden sie alle bücher von ishiguro kazuo bei der büchersuchmaschine eurobuch.com können sie antiquarische und neubücher vergleichen und sofort zum bestpreis bestellen 3763251146 die geschichte von christopher banks dem berühmtesten detektiv im england der dreißiger jahre

[als wir waisen waren roman amazon.de](#) - Jul 03 2022

web als wir waisen waren roman broschiert 15 märz 2021 england in den dreißigerjahren ganz london schwärmt von christopher banks und seinen erfolgen es gibt nur einen fall den der meisterdetektiv bisher nicht aufklären konnte das mysteriöse verschwinden seiner eltern in shanghai der stadt seiner kindheit

[als wir waisen waren roman amazon.co.uk](#) - Mar 31 2022

web buy als wir waisen waren roman by ishiguro kazuo herting sabine isbn 9783896676979 from amazon s book store everyday low prices and free delivery on eligible orders

als wir waisen waren roman kağıt kapak 1 kasım 2016 - Mar 11 2023

web als wir waisen waren roman ishiguro kazuo amazon.com.tr kitap Çerez tercihlerinizi seçin Çerez bildirimimizde ayrıntılı şekilde açıklandığı üzere alışveriş yapmanızı sağlamak alışveriş deneyiminizi iyileştirmek ve hizmetlerimizi sunmak için gerekli olan çerezleri ve benzer araçları kullanırız

als wir waisen waren roman kazuo ishiguro google books - Oct 06 2022

web beide waren in den opiumhandel verstrickt der vater als profiteur die mutter als erklärte gegnerin als die erinnerungen an die zeit als er waise wurde banks immer häufiger quälen beschließt er sich auf den weg nach shanghai zu machen um endlich das größte rätsel seines lebens zu lösen

[als wir waisen waren roman lovelybooks](#) - Jun 02 2022

web es gibt nur einen fall den der meisterdetektiv bisher nicht aufklären konnte das mysteriöse verschwinden seiner eltern in shanghai der stadt seiner kindheit beide waren in den opiumhandel verstrickt der vater als profiteur die mutter als erklärte gegnerin

als wir waisen waren roman overdrive - Jan 29 2022

web mar 15 2021 beide waren in den opiumhandel verstrickt der vater als profiteur die mutter als erklärte gegnerin als die erinnerungen an die zeit als er waise wurde banks immer häufiger quälen beschließt er sich auf den weg nach shanghai zu

machen um endlich das größte rätsel seines lebens zu lösen

buchrezension kazuo ishiguros roman als wir waisen waren - Feb 10 2023

web sep 16 2000 dem bösen auf der spur der erinnerung auf den leim gegangen kazuo ishiguros roman als wir waisen waren von hubert spiegel

downloaded als wir waisen waren roman pdf epub buchlibs - Dec 28 2021

web lesermeinungen als wir waisen waren roman von kazuo ishiguro eleonore klein was für ein atemberaubendes meisterwerk ich konnte das buch einfach nicht aus der hand legen die charaktere fühlten sich so real an und ihre geschichten haben mich zutiefst berührt ein buch das ich für immer in meinem herzen tragen werde

als wir waisen waren roman taschenbuch 14 november 2016 amazon de - Jun 14 2023

web es gibt nur einen fall den der meisterdetektiv bisher nicht aufklären konnte das mysteriöse verschwinden seiner eltern in shanghai der stadt seiner kindheit beide waren in den opiumhandel verstrickt der vater als profiteur die mutter als erklärte gegnerin

als wir waisen waren roman google play - Apr 12 2023

web als wir waisen waren roman ebook written by kazuo ishiguro read this book using google play books app on your pc android ios devices download for offline reading highlight bookmark or take notes while you read als wir waisen waren roman

als wir waisen waren roman by kazuo ishiguro the storygraph - Aug 04 2022

web als wir waisen waren roman kazuo ishiguro 12 hours 37 minutes first pub 2000 user added isbn uid none format audio language german publisher random house audio publication date 15 march 2021 fiction historical literary emotional mysterious reflective slow paced to read read currently reading

kazuo ishiguro als wir waisen waren paperback blessing verlag - May 01 2022

web mar 15 2021 es gibt nur einen fall den der meisterdetektiv bisher nicht aufklären konnte das mysteriöse verschwinden seiner eltern in shanghai der stadt seiner kindheit beide waren in den opiumhandel verstrickt der vater als