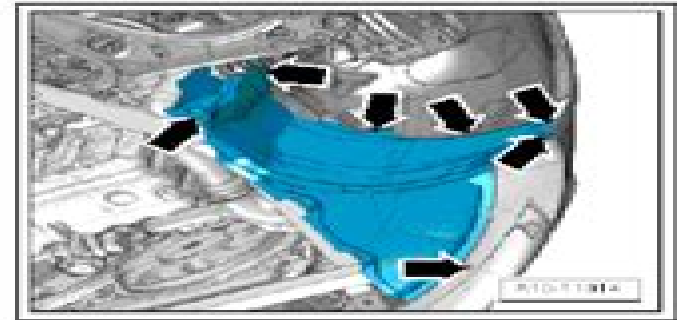


- Remove noise insulation ⇒ General body repairs, exterior; Rep. gr. 50 ; Body - front, noise insulation .
- Remove radiator cowl ⇒ [page 130](#) .
- Remove front part of right wheel housing liner -arrows-.

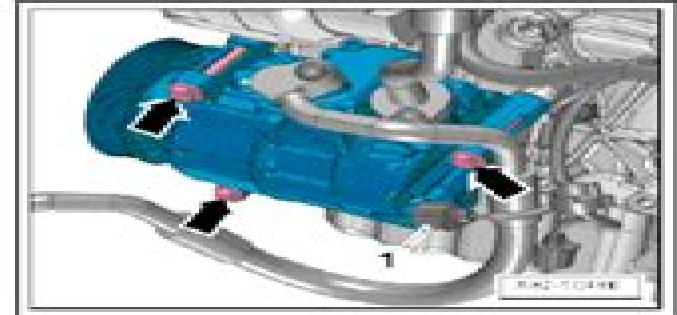


- Disconnect electrical connector -1- for magnetic clutch on air conditioner compressor.

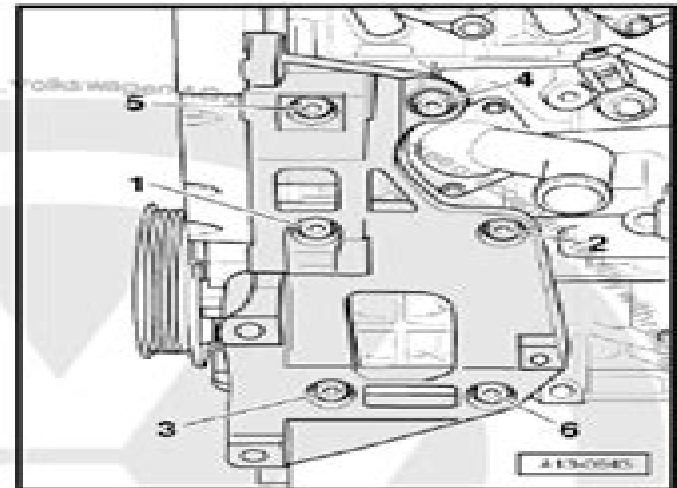
**Caution**

*Danger of damage to refrigerant lines and hoses.*

- *Do NOT stretch, kink or bend refrigerant lines and hoses.*



- Remove bolts -arrows-.
- Remove air conditioner compressor from bracket and secure on lock carrier.
- Unscrew bolts -1...6- and remove ancillary bracket.



# Golf Vi Repair Manual

**SB Merriam**



## **Golf Vi Repair Manual:**

Recognizing the way ways to get this ebook **Golf Vi Repair Manual** is additionally useful. You have remained in right site to start getting this info. get the Golf Vi Repair Manual belong to that we come up with the money for here and check out the link.

You could buy lead Golf Vi Repair Manual or get it as soon as feasible. You could speedily download this Golf Vi Repair Manual after getting deal. So, when you require the ebook swiftly, you can straight get it. Its therefore utterly simple and for that reason fats, isnt it? You have to favor to in this aerate

[https://staging.conocer.cide.edu/data/Resources/Documents/lee\\_baileys\\_new\\_orleans.pdf](https://staging.conocer.cide.edu/data/Resources/Documents/lee_baileys_new_orleans.pdf)

## **Table of Contents Golf Vi Repair Manual**

1. Understanding the eBook Golf Vi Repair Manual
  - The Rise of Digital Reading Golf Vi Repair Manual
  - Advantages of eBooks Over Traditional Books
2. Identifying Golf Vi Repair Manual
  - Exploring Different Genres
  - Considering Fiction vs. Non-Fiction
  - Determining Your Reading Goals
3. Choosing the Right eBook Platform
  - Popular eBook Platforms
  - Features to Look for in an Golf Vi Repair Manual
  - User-Friendly Interface
4. Exploring eBook Recommendations from Golf Vi Repair Manual
  - Personalized Recommendations
  - Golf Vi Repair Manual User Reviews and Ratings
  - Golf Vi Repair Manual and Bestseller Lists
5. Accessing Golf Vi Repair Manual Free and Paid eBooks

- Golf Vi Repair Manual Public Domain eBooks
  - Golf Vi Repair Manual eBook Subscription Services
  - Golf Vi Repair Manual Budget-Friendly Options
6. Navigating Golf Vi Repair Manual eBook Formats
    - ePub, PDF, MOBI, and More
    - Golf Vi Repair Manual Compatibility with Devices
    - Golf Vi Repair Manual Enhanced eBook Features
  7. Enhancing Your Reading Experience
    - Adjustable Fonts and Text Sizes of Golf Vi Repair Manual
    - Highlighting and Note-Taking Golf Vi Repair Manual
    - Interactive Elements Golf Vi Repair Manual
  8. Staying Engaged with Golf Vi Repair Manual
    - Joining Online Reading Communities
    - Participating in Virtual Book Clubs
    - Following Authors and Publishers Golf Vi Repair Manual
  9. Balancing eBooks and Physical Books Golf Vi Repair Manual
    - Benefits of a Digital Library
    - Creating a Diverse Reading Collection Golf Vi Repair Manual
  10. Overcoming Reading Challenges
    - Dealing with Digital Eye Strain
    - Minimizing Distractions
    - Managing Screen Time
  11. Cultivating a Reading Routine Golf Vi Repair Manual
    - Setting Reading Goals Golf Vi Repair Manual
    - Carving Out Dedicated Reading Time
  12. Sourcing Reliable Information of Golf Vi Repair Manual
    - Fact-Checking eBook Content of Golf Vi Repair Manual
    - Distinguishing Credible Sources
  13. Promoting Lifelong Learning
    - Utilizing eBooks for Skill Development

- Exploring Educational eBooks
- 14. Embracing eBook Trends
  - Integration of Multimedia Elements
  - Interactive and Gamified eBooks

### **Golf Vi Repair Manual Introduction**

In today's digital age, the availability of Golf Vi Repair Manual books and manuals for download has revolutionized the way we access information. Gone are the days of physically flipping through pages and carrying heavy textbooks or manuals. With just a few clicks, we can now access a wealth of knowledge from the comfort of our own homes or on the go. This article will explore the advantages of Golf Vi Repair Manual books and manuals for download, along with some popular platforms that offer these resources. One of the significant advantages of Golf Vi Repair Manual books and manuals for download is the cost-saving aspect. Traditional books and manuals can be costly, especially if you need to purchase several of them for educational or professional purposes. By accessing Golf Vi Repair Manual versions, you eliminate the need to spend money on physical copies. This not only saves you money but also reduces the environmental impact associated with book production and transportation. Furthermore, Golf Vi Repair Manual books and manuals for download are incredibly convenient. With just a computer or smartphone and an internet connection, you can access a vast library of resources on any subject imaginable. Whether you're a student looking for textbooks, a professional seeking industry-specific manuals, or someone interested in self-improvement, these digital resources provide an efficient and accessible means of acquiring knowledge. Moreover, PDF books and manuals offer a range of benefits compared to other digital formats. PDF files are designed to retain their formatting regardless of the device used to open them. This ensures that the content appears exactly as intended by the author, with no loss of formatting or missing graphics. Additionally, PDF files can be easily annotated, bookmarked, and searched for specific terms, making them highly practical for studying or referencing. When it comes to accessing Golf Vi Repair Manual books and manuals, several platforms offer an extensive collection of resources. One such platform is Project Gutenberg, a nonprofit organization that provides over 60,000 free eBooks. These books are primarily in the public domain, meaning they can be freely distributed and downloaded. Project Gutenberg offers a wide range of classic literature, making it an excellent resource for literature enthusiasts. Another popular platform for Golf Vi Repair Manual books and manuals is Open Library. Open Library is an initiative of the Internet Archive, a non-profit organization dedicated to digitizing cultural artifacts and making them accessible to the public. Open Library hosts millions of books, including both public domain works and contemporary titles. It also allows users to borrow digital copies of certain books for a limited period, similar to a library lending system. Additionally, many universities and educational institutions have their own digital

libraries that provide free access to PDF books and manuals. These libraries often offer academic texts, research papers, and technical manuals, making them invaluable resources for students and researchers. Some notable examples include MIT OpenCourseWare, which offers free access to course materials from the Massachusetts Institute of Technology, and the Digital Public Library of America, which provides a vast collection of digitized books and historical documents. In conclusion, Golf Vi Repair Manual books and manuals for download have transformed the way we access information. They provide a cost-effective and convenient means of acquiring knowledge, offering the ability to access a vast library of resources at our fingertips. With platforms like Project Gutenberg, Open Library, and various digital libraries offered by educational institutions, we have access to an ever-expanding collection of books and manuals. Whether for educational, professional, or personal purposes, these digital resources serve as valuable tools for continuous learning and self-improvement. So why not take advantage of the vast world of Golf Vi Repair Manual books and manuals for download and embark on your journey of knowledge?

### FAQs About Golf Vi Repair Manual Books

**What is a Golf Vi Repair Manual PDF?** A PDF (Portable Document Format) is a file format developed by Adobe that preserves the layout and formatting of a document, regardless of the software, hardware, or operating system used to view or print it. **How do I create a Golf Vi Repair Manual PDF?** There are several ways to create a PDF: Use software like Adobe Acrobat, Microsoft Word, or Google Docs, which often have built-in PDF creation tools. Print to PDF: Many applications and operating systems have a "Print to PDF" option that allows you to save a document as a PDF file instead of printing it on paper. Online converters: There are various online tools that can convert different file types to PDF. **How do I edit a Golf Vi Repair Manual PDF?** Editing a PDF can be done with software like Adobe Acrobat, which allows direct editing of text, images, and other elements within the PDF. Some free tools, like PDFescape or Smallpdf, also offer basic editing capabilities. **How do I convert a Golf Vi Repair Manual PDF to another file format?** There are multiple ways to convert a PDF to another format: Use online converters like Smallpdf, Zamzar, or Adobe Acrobats export feature to convert PDFs to formats like Word, Excel, JPEG, etc. Software like Adobe Acrobat, Microsoft Word, or other PDF editors may have options to export or save PDFs in different formats. **How do I password-protect a Golf Vi Repair Manual PDF?** Most PDF editing software allows you to add password protection. In Adobe Acrobat, for instance, you can go to "File" -> "Properties" -> "Security" to set a password to restrict access or editing capabilities. Are there any free alternatives to Adobe Acrobat for working with PDFs? Yes, there are many free alternatives for working with PDFs, such as: LibreOffice: Offers PDF editing features. PDFsam: Allows splitting, merging, and editing PDFs. Foxit Reader: Provides basic PDF viewing and editing

capabilities. How do I compress a PDF file? You can use online tools like Smallpdf, ILovePDF, or desktop software like Adobe Acrobat to compress PDF files without significant quality loss. Compression reduces the file size, making it easier to share and download. Can I fill out forms in a PDF file? Yes, most PDF viewers/editors like Adobe Acrobat, Preview (on Mac), or various online tools allow you to fill out forms in PDF files by selecting text fields and entering information. Are there any restrictions when working with PDFs? Some PDFs might have restrictions set by their creator, such as password protection, editing restrictions, or print restrictions. Breaking these restrictions might require specific software or tools, which may or may not be legal depending on the circumstances and local laws.

### **Find Golf Vi Repair Manual :**

#### **lee baileys new orleans**

*leaving matters to god st. teresa of avila*

#### **learning in college i can relate**

#### **lectures on stochastic flows and applications.**

#### **learning data analysis with data desk**

[learning through play johnson johnson baby products company pediatric round table series 3](#)

[lectures on the epistle of jude](#)

[lectures on invariant theory](#)

[learning to live with diabetes self care guide for black women](#)

[lebons in murder the 1st detective inspector carol ashton mystery](#)

*leave a little to god essays in judaism*

#### **lectures on plant physiology**

~~learning our lines sexuality and social control in education~~

#### **lebons of east southeast asian growth experience particularly for south asia development papers no 17**

[learning to solve problems an instructional design guide](#)

### **Golf Vi Repair Manual :**

Consignment Contract Option 1. The gallery shall pay the artist all proceeds due the artist within thirty days of sale of any artwork. No "sales on approval" or "on credit ... Guide to Artist-Gallery Consignment Contracts Gallery agrees to indemnify and hold harmless Artist from any loss resulting from lapse of coverage, error, or failure by Gallery to have the insurance ...



Fine Art Insurance | Artists | Collections | Museums Customized Fine Art insurance solutions · Loan and consignment agreement reviews for contract requirements · Risk management plans for foundations and museums, ... Artist Gallery Contract/ Consignment/ Account DISCLAIMER: This sample contract is written as a checklist and guide only. You should in no way use this contract in its current state as a binding ... Art Consignment Agreement Consignment. The Artist hereby consigns to the Gallery and the Gallery accepts on consignment, those. Artworks listed on the inventory sheet provided by the ... Fine Art Brokerage Services - Fine Art Brokers Aug 22, 2019 — Sell your fine art in a professional and discreet manner at no cost to you! We provide a simple written contract: one client, ... Art Consignment Agreement Artist shall consign to PACE, and PACE shall accept consignment of, all Works of Art described in the Record of Consignment, for the full term of the agreement. Visual Artists Resources - Sample Consignment Agreement Visual Arts Focus: Working With Galleries 101. SAMPLE CONSIGNMENT AGREEMENT. The following sample consignment agreement is provided for reference use only. It ... Adventures in Media - Collecting and Protecting Unusual Art Panelists will conduct an interactive discussion on past and present mediums used by fine artists. Unusual art can take many forms. It can be a paintings ... Offering Circular This Post-Qualification Amendment No. 5 to such original offering circular describes each individual series found in the “Series Offering Table” section. The ... NRP 6th Ed. Super Set Flashcards Study with Quizlet and memorize flashcards containing terms like About \_\_\_\_% of newborns will require some assistance to begin regular breathing, ... NRP 6th Ed. Ch 1 Overview & Principles - Key Points Study with Quizlet and memorize flashcards containing terms like 1 most newly born babies vigorous. Only about 10 percent require some kind of assistance ... 2022 NRP Practice EXAM Questions AND Answers ALL ... 2022 NRP Practice EXAM Questions AND Answers ALL Solved Solution 2022 nrp practice exam questions and answers all solved solution your team has provided ... NRP 8th Edition Test Answers 2023 Apr 19, 2023 — NRP 8th Edition Test Answers 2023 ; What is the initial oxygen concentration for preterm newborns less than 35 weeks gestation? 21-30% ; What is ... nrp practice exam 2022\_questions and answers all solved ... 2022 NRP PRACTICE EXAM QUESTIONS AND ANSWERS ALL SOLVED SOLUTION Your team has provided face-mask PPV with chest movement for 30 seconds. NRP Exam and answers.docx - Here is a table with ... Here is a table with answers to the Neonatal Resuscitation Practice 8th Edition exams and tests. QuestionAnswer Your team has provided face-mask PPVwith chest ... 2022 NRP Practice EXAM Questions AND Answers ALL ... 2022 NRP PRACTICE EXAM QUESTIONS AND. ANSWERS ALL SOLVED SOLUTION. Your team has provided face-mask PPV with chest movement for 30 seconds. NRP 8th Edition Quiz Answers Part 1 Pre assessment 2023 ... Nrp Test Answers NRP 8th Edition Test Exams Questions with Answers(Latest Update):Complete Version ... 6th Grade Ccss Pacing Guide PDF Kindle. The NRP exam answers PDF for 2023 ... Explaining Psychological Statistics, 3rd... by Cohen, Barry H. This comprehensive graduate-level statistics text is aimed at students with a minimal background in the area or those who are wary of the subject matter. Explaining Psychological Statistics 3th (third) edition Explaining Psychological Statistics 3th

(third) edition ; Print length. 0 pages ; Language. English ; Publication date. January 1, 2007 ; ASIN, B006QZ9VN0. Explaining psychological statistics, 3rd ed. by BH Cohen · 2008 · Cited by 1434 — Cohen, B. H. (2008). Explaining psychological statistics (3rd ed.). John Wiley & Sons Inc. Abstract. This edition retains the basic organization of the previous ... barry cohen - explaining psychological statistics - AbeBooks Explaining Psychological Statistics · Price: US\$ 5.76 ; Explaining Psychological Statistics, 3rd Edition · Price: US\$ 6.25 ; Explaining Psychological Statistics. Explaining Psychological Statistics - Barry H. Cohen This comprehensive graduate-level statistics text is aimed at students with a minimal background in the area or those who are wary of the subject matter. Explaining Psychological Statistics Cohen 3rd Edition Pdf Explaining Psychological Statistics Cohen 3rd Edition Pdf. INTRODUCTION Explaining Psychological Statistics Cohen 3rd Edition Pdf Full PDF. Explaining Psychological Statistics, 3rd Edition - Hardcover This comprehensive graduate-level statistics text is aimed at students with a minimal background in the area or those who are wary of the subject matter. Explaining Psychological Statistics | Rent | 9780470007181 Rent Explaining Psychological Statistics 3rd edition (978-0470007181) today, or search our site for other textbooks by Barry H. Cohen. EXPLAINING PSYCHOLOGICAL STATISTICS, 3RD ... EXPLAINING PSYCHOLOGICAL STATISTICS, 3RD EDITION By Barry H. Cohen - Hardcover ; Item Number. 186040771674 ; ISBN-10. 0470007184 ; Book Title. Explaining ... Explaining Psychological Statistics, 3rd Edition, Cohen ... Explaining Psychological Statistics, 3rd Edition, Cohen, Barry H., Good Book ; Est. delivery. Wed, Dec 27 - Tue, Jan 2. From New York, New York, United States.