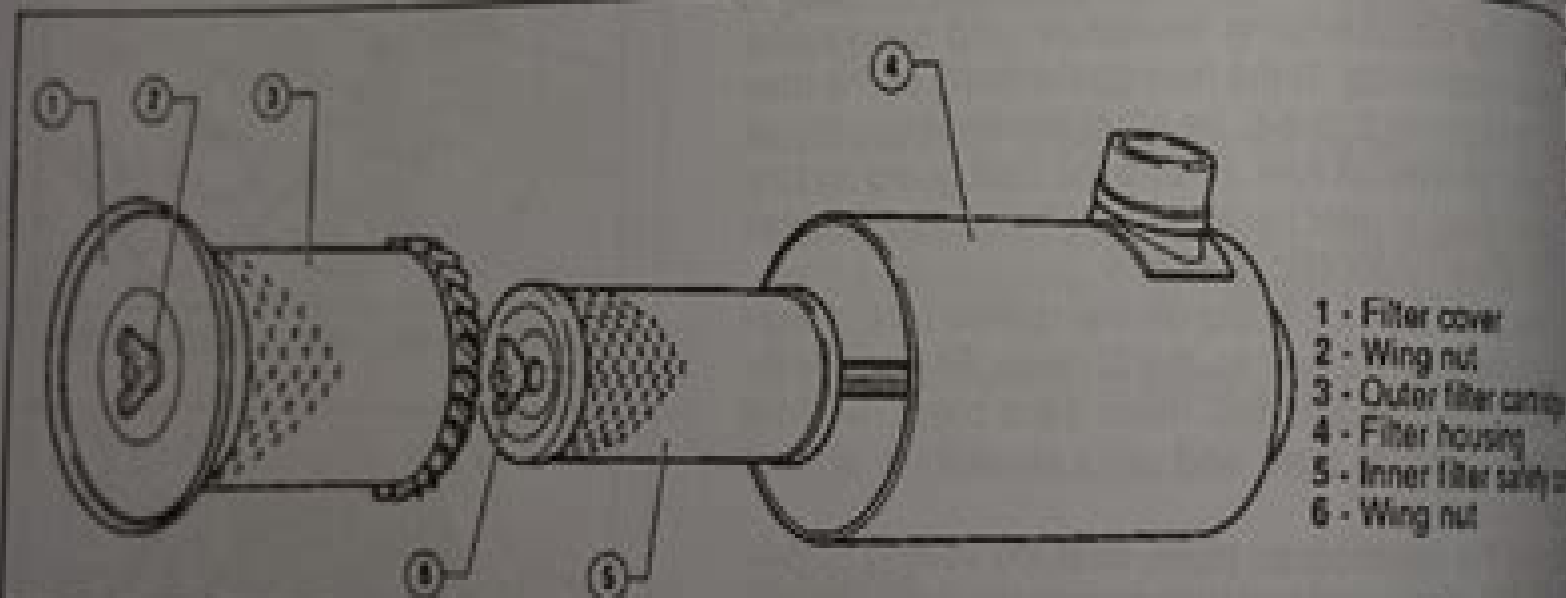


engine air filter

If a blocked air filter indicator switch is to be replaced, make sure the new switch to be installed has engine air filter specifications checking the reference stamped on it.

— Aspirated engine blocked air filter indicator switch setting is 0.94 to 0.93 bar.

NOTE: Turbocharged engine air filter blocking indicator switch setting differs from the aspirated engine.



- 1 - Filter cover
- 2 - Wing nut
- 3 - Outer filter canister
- 4 - Filter housing
- 5 - Inner filter safety valve
- 6 - Wing nut

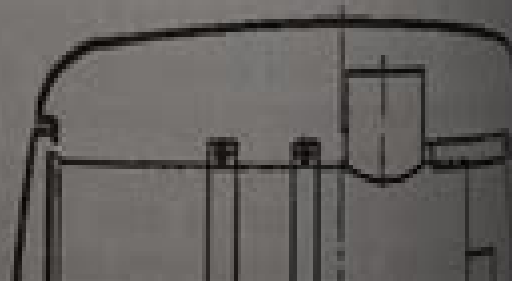
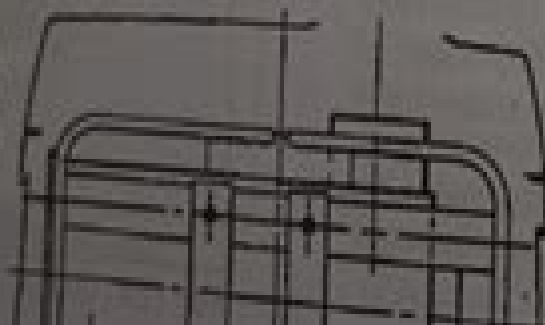
Fig. 177 - Engine air filter.

air filter positioning

108 FORMULA $x = 115$ mm

115 FORMULA $x = 173$ mm

135 FORMULA $x = 193$ mm



Washing

Formula Service Workshop Manual

Hongru Du



Formula Service Workshop Manual:

The Enthralling Realm of Kindle Books: A Thorough Guide Unveiling the Benefits of E-book Books: A World of Convenience and Flexibility E-book books, with their inherent portability and simplicity of availability, have freed readers from the limitations of physical books. Done are the days of lugging cumbersome novels or carefully searching for particular titles in bookstores. E-book devices, sleek and lightweight, seamlessly store an wide library of books, allowing readers to immerse in their preferred reads whenever, everywhere. Whether commuting on a bustling train, lounging on a sunny beach, or simply cozying up in bed, Kindle books provide an exceptional level of convenience. A Reading World Unfolded: Discovering the Wide Array of E-book Formula Service Workshop Manual Formula Service Workshop Manual The E-book Shop, a digital treasure trove of bookish gems, boasts an wide collection of books spanning diverse genres, catering to every readers preference and choice. From gripping fiction and thought-provoking non-fiction to timeless classics and contemporary bestsellers, the Kindle Shop offers an unparalleled abundance of titles to discover. Whether seeking escape through immersive tales of imagination and exploration, diving into the depths of historical narratives, or expanding ones understanding with insightful works of scientific and philosophical, the Kindle Store provides a doorway to a bookish world brimming with limitless possibilities. A Revolutionary Factor in the Literary Landscape: The Lasting Impact of Kindle Books Formula Service Workshop Manual The advent of Kindle books has unquestionably reshaped the literary scene, introducing a paradigm shift in the way books are published, disseminated, and consumed. Traditional publishing houses have embraced the online revolution, adapting their strategies to accommodate the growing need for e-books. This has led to a surge in the accessibility of Kindle titles, ensuring that readers have entry to a wide array of bookish works at their fingertips. Moreover, Kindle books have democratized access to books, breaking down geographical limits and providing readers worldwide with equal opportunities to engage with the written word. Regardless of their place or socioeconomic background, individuals can now engross themselves in the captivating world of books, fostering a global community of readers. Conclusion: Embracing the Kindle Experience Formula Service Workshop Manual E-book books Formula Service Workshop Manual, with their inherent convenience, versatility, and vast array of titles, have certainly transformed the way we encounter literature. They offer readers the freedom to explore the limitless realm of written expression, anytime, anywhere. As we continue to navigate the ever-evolving online scene, Kindle books stand as testament to the enduring power of storytelling, ensuring that the joy of reading remains reachable to all.

https://staging.conocer.cide.edu/files/browse/fetch.php/Lone_Star_Stud_Bolt_No_17.pdf

Table of Contents Formula Service Workshop Manual

1. Understanding the eBook Formula Service Workshop Manual
 - The Rise of Digital Reading Formula Service Workshop Manual
 - Advantages of eBooks Over Traditional Books
2. Identifying Formula Service Workshop Manual
 - Exploring Different Genres
 - Considering Fiction vs. Non-Fiction
 - Determining Your Reading Goals
3. Choosing the Right eBook Platform
 - Popular eBook Platforms
 - Features to Look for in an Formula Service Workshop Manual
 - User-Friendly Interface
4. Exploring eBook Recommendations from Formula Service Workshop Manual
 - Personalized Recommendations
 - Formula Service Workshop Manual User Reviews and Ratings
 - Formula Service Workshop Manual and Bestseller Lists
5. Accessing Formula Service Workshop Manual Free and Paid eBooks
 - Formula Service Workshop Manual Public Domain eBooks
 - Formula Service Workshop Manual eBook Subscription Services
 - Formula Service Workshop Manual Budget-Friendly Options
6. Navigating Formula Service Workshop Manual eBook Formats
 - ePub, PDF, MOBI, and More
 - Formula Service Workshop Manual Compatibility with Devices
 - Formula Service Workshop Manual Enhanced eBook Features
7. Enhancing Your Reading Experience
 - Adjustable Fonts and Text Sizes of Formula Service Workshop Manual
 - Highlighting and Note-Taking Formula Service Workshop Manual
 - Interactive Elements Formula Service Workshop Manual
8. Staying Engaged with Formula Service Workshop Manual

- Joining Online Reading Communities
 - Participating in Virtual Book Clubs
 - Following Authors and Publishers Formula Service Workshop Manual
9. Balancing eBooks and Physical Books Formula Service Workshop Manual
- Benefits of a Digital Library
 - Creating a Diverse Reading Collection Formula Service Workshop Manual
10. Overcoming Reading Challenges
- Dealing with Digital Eye Strain
 - Minimizing Distractions
 - Managing Screen Time
11. Cultivating a Reading Routine Formula Service Workshop Manual
- Setting Reading Goals Formula Service Workshop Manual
 - Carving Out Dedicated Reading Time
12. Sourcing Reliable Information of Formula Service Workshop Manual
- Fact-Checking eBook Content of Formula Service Workshop Manual
 - Distinguishing Credible Sources
13. Promoting Lifelong Learning
- Utilizing eBooks for Skill Development
 - Exploring Educational eBooks
14. Embracing eBook Trends
- Integration of Multimedia Elements
 - Interactive and Gamified eBooks

Formula Service Workshop Manual Introduction

In today's digital age, the availability of Formula Service Workshop Manual books and manuals for download has revolutionized the way we access information. Gone are the days of physically flipping through pages and carrying heavy textbooks or manuals. With just a few clicks, we can now access a wealth of knowledge from the comfort of our own homes or on the go. This article will explore the advantages of Formula Service Workshop Manual books and manuals for download, along with some popular platforms that offer these resources. One of the significant advantages of Formula Service Workshop Manual books and manuals for download is the cost-saving aspect. Traditional books and manuals can be costly,

especially if you need to purchase several of them for educational or professional purposes. By accessing Formula Service Workshop Manual versions, you eliminate the need to spend money on physical copies. This not only saves you money but also reduces the environmental impact associated with book production and transportation. Furthermore, Formula Service Workshop Manual books and manuals for download are incredibly convenient. With just a computer or smartphone and an internet connection, you can access a vast library of resources on any subject imaginable. Whether you're a student looking for textbooks, a professional seeking industry-specific manuals, or someone interested in self-improvement, these digital resources provide an efficient and accessible means of acquiring knowledge. Moreover, PDF books and manuals offer a range of benefits compared to other digital formats. PDF files are designed to retain their formatting regardless of the device used to open them. This ensures that the content appears exactly as intended by the author, with no loss of formatting or missing graphics. Additionally, PDF files can be easily annotated, bookmarked, and searched for specific terms, making them highly practical for studying or referencing. When it comes to accessing Formula Service Workshop Manual books and manuals, several platforms offer an extensive collection of resources. One such platform is Project Gutenberg, a nonprofit organization that provides over 60,000 free eBooks. These books are primarily in the public domain, meaning they can be freely distributed and downloaded. Project Gutenberg offers a wide range of classic literature, making it an excellent resource for literature enthusiasts. Another popular platform for Formula Service Workshop Manual books and manuals is Open Library. Open Library is an initiative of the Internet Archive, a non-profit organization dedicated to digitizing cultural artifacts and making them accessible to the public. Open Library hosts millions of books, including both public domain works and contemporary titles. It also allows users to borrow digital copies of certain books for a limited period, similar to a library lending system. Additionally, many universities and educational institutions have their own digital libraries that provide free access to PDF books and manuals. These libraries often offer academic texts, research papers, and technical manuals, making them invaluable resources for students and researchers. Some notable examples include MIT OpenCourseWare, which offers free access to course materials from the Massachusetts Institute of Technology, and the Digital Public Library of America, which provides a vast collection of digitized books and historical documents. In conclusion, Formula Service Workshop Manual books and manuals for download have transformed the way we access information. They provide a cost-effective and convenient means of acquiring knowledge, offering the ability to access a vast library of resources at our fingertips. With platforms like Project Gutenberg, Open Library, and various digital libraries offered by educational institutions, we have access to an ever-expanding collection of books and manuals. Whether for educational, professional, or personal purposes, these digital resources serve as valuable tools for continuous learning and self-improvement. So why not take advantage of the vast world of Formula Service Workshop Manual books and manuals for download and embark on your journey of knowledge?

FAQs About Formula Service Workshop Manual Books

What is a Formula Service Workshop Manual PDF? A PDF (Portable Document Format) is a file format developed by Adobe that preserves the layout and formatting of a document, regardless of the software, hardware, or operating system used to view or print it. **How do I create a Formula Service Workshop Manual PDF?** There are several ways to create a PDF: Use software like Adobe Acrobat, Microsoft Word, or Google Docs, which often have built-in PDF creation tools. Print to PDF: Many applications and operating systems have a "Print to PDF" option that allows you to save a document as a PDF file instead of printing it on paper. Online converters: There are various online tools that can convert different file types to PDF. **How do I edit a Formula Service Workshop Manual PDF?** Editing a PDF can be done with software like Adobe Acrobat, which allows direct editing of text, images, and other elements within the PDF. Some free tools, like PDFescape or Smallpdf, also offer basic editing capabilities. **How do I convert a Formula Service Workshop Manual PDF to another file format?** There are multiple ways to convert a PDF to another format: Use online converters like Smallpdf, Zamzar, or Adobe Acrobats export feature to convert PDFs to formats like Word, Excel, JPEG, etc. Software like Adobe Acrobat, Microsoft Word, or other PDF editors may have options to export or save PDFs in different formats. **How do I password-protect a Formula Service Workshop Manual PDF?** Most PDF editing software allows you to add password protection. In Adobe Acrobat, for instance, you can go to "File" -> "Properties" -> "Security" to set a password to restrict access or editing capabilities. Are there any free alternatives to Adobe Acrobat for working with PDFs? Yes, there are many free alternatives for working with PDFs, such as: LibreOffice: Offers PDF editing features. PDFsam: Allows splitting, merging, and editing PDFs. Foxit Reader: Provides basic PDF viewing and editing capabilities. How do I compress a PDF file? You can use online tools like Smallpdf, ILovePDF, or desktop software like Adobe Acrobat to compress PDF files without significant quality loss. Compression reduces the file size, making it easier to share and download. Can I fill out forms in a PDF file? Yes, most PDF viewers/editors like Adobe Acrobat, Preview (on Mac), or various online tools allow you to fill out forms in PDF files by selecting text fields and entering information. Are there any restrictions when working with PDFs? Some PDFs might have restrictions set by their creator, such as password protection, editing restrictions, or print restrictions. Breaking these restrictions might require specific software or tools, which may or may not be legal depending on the circumstances and local laws.

Find Formula Service Workshop Manual :

lone star stud bolt no 17

[london a-z colour edition](#)

log cabin homes of the north american west

logicbased program synthesis and transformation 10th international workshop lopstr 2000 london uk july 2428 2000 selected papers

london past and present

logging the globe

logic and discrete mathematics a computer science perspective

logic synthesis for control automata

long island the golden isle

lockley files

lonely planet italian

long distance

logical foundations of probability second edition

logic and architecture synthesis

logicworks verilog modeler interactive circuit simulation software for macintosh

Formula Service Workshop Manual :

amazon de kundenrezensionen einfach thai der entspannte - May 11 2023

web finde hilfreiche kundenrezensionen und rezensionsbewertungen für einfach thai der entspannte weg zu tom kha gai pad thai co thai kochbuch auf amazon de

einfach thai der entspannte weg zu tom kha gai pa pdf - Sep 22 2021

web jul 6 2023 einfach thai der entspannte weg zu tom kha gai pa pdf is universally compatible taking into consideration any devices to read gold elsie eugenie marlitt

einfach thai der entspannte weg zu tom kha gai pa pdf - Mar 09 2023

web einfach thai der entspannte weg zu tom kha gai pa pdf is handy in our digital library an online right of entry to it is set as public hence you can download it instantly our

einfach thai der entspannte weg zu tom kha gai pad thai - Aug 14 2023

web einfach thai der entspannte weg zu tom kha gai pad thai co thai kochbuch kime tom amazon com tr kitap

einfach thai der entspannte weg zu tom kha gai pa pdf - Feb 08 2023

web nov 17 2022 einfach thai der entspannte weg zu tom kha gai pa 2 12 downloaded from staging friends library org on november 17 2022 by guest empowered to choose

[einfach thai der entspannte weg zu tom kha gai pa](#) - Oct 24 2021

web mar 24 2023 [einfach thai der entspannte weg zu tom kha gai pa](#) 1 11 downloaded from uniport.edu.ng on march 24 2023 by guest [einfach thai der entspannte weg zu](#)

[einfach thai der entspannte weg zu tom kha gai pa pdf](#) - May 31 2022

web discover the hallmark flavors dishes and accessibility of thai cuisine with my thai cookbook sample recipes include hot sour grilled beef salad shrimp basil

einfach thai der entspannte weg zu tom kha gai pad thai - Jun 12 2023

web [einfach thai der entspannte weg zu tom kha gai pad thai](#) co thailändische küche mit ihren köstlichen düften und exotischen aromen muss

[einfach thai der entspannte weg zu tom kha gai pa](#) - Oct 04 2022

web 4 [einfach thai der entspannte weg zu tom kha gai pa](#) 2019 09 14 club it is a really enthralling page turner and a brilliant start to a new series i can't wait to read the

einfach thai der entspannte weg zu tom kha gai pa 2022 - Sep 03 2022

web [einfach thai der entspannte weg zu tom kha gai pa](#) 1 [einfach thai der entspannte weg zu tom kha gai pa](#) merging with Śiva exploring taste flavour maangchi's big

einfach thai der entspannte weg zu tom kha gai pa pdf - Dec 06 2022

web jun 13 2023 [einfach thai der entspannte weg zu tom kha gai pa pdf](#) [einfach thai der entspannte weg zu tom kha gai pa pdf](#) is available in our digital library an

einfach thai der entspannte weg zu tom kha gai pad thai - Jul 13 2023

web [einfach thai der entspannte weg zu tom kha gai pad thai](#) co thai kochbuch kime tom linder lisa theis passaro claudia hunke wormser annegret isbn

einfach thai der entspannte weg zu tom kha gai pa - Feb 25 2022

web aug 18 2023 [einfach thai der entspannte weg zu tom kha gai pa](#) is available in our digital library an online access to it is set as public so you can get it instantly our book

einfach thai der entspannte weg zu tom kha gai pa pdf book - Nov 24 2021

web jun 27 2023 books like this [einfach thai der entspannte weg zu tom kha gai pa pdf](#) but end up in malicious downloads rather than reading a good book with a cup of tea in

easy day thailand tours travel - Mar 29 2022

web easy day thailand travel solutions are tailor made for everyone be it a family group of friends couples or singles let us know and tell us what sort of things you like to do

[einfach thai der entspannte weg zu tom kha gai pa pdf full](#) - Apr 10 2023

web jun 25 2023 [einfach thai der entspannte weg zu tom kha gai pa pdf if you ally dependence such a referred](#) einfach thai der entspannte weg zu tom kha gai pa

einfach thai der entspannte weg zu tom kha gai pa - Aug 02 2022

web jun 2 2023 [einfach thai der entspannte weg zu tom kha gai pa 1 9](#) downloaded from uniport edu ng on june 2 2023 by guest einfach thai der entspannte weg zu tom

einfach thai der entspannte weg zu tom kha gai pa alberto - Nov 05 2022

web of this [einfach thai der entspannte weg zu tom kha gai pa](#) by online you might not require more time to spend to go to the ebook launch as capably as search for them in

einfach thai der entspannte weg zu tom kha gai pa pdf 2023 - Jan 27 2022

web jun 12 2023 [einfach thai der entspannte weg zu tom kha gai pa pdf](#) is available in our book collection an online access to it is set as public so you can download it

the best 10 thai restaurants in istanbul turkey yelp - Jan 07 2023

web Çokçok thai is the bomb the chef is a master his dishes we absolutely phenomenal Çokçok is relatively expensive by turkish standards 30tl 10 for a main dish 20tl 7 for

einfach thai der entspannte weg zu tom kha gai pa pdf - Apr 29 2022

web jun 17 2023 [computer einfach thai der entspannte weg zu tom kha gai pa](#) is within reach in our digital library an online entrance to it is set as public suitably you can

einfach thai der entspannte weg zu tom kha gai pa alberto - Dec 26 2021

web as this [einfach thai der entspannte weg zu tom kha gai pa](#) it ends going on brute one of the favored book [einfach thai der entspannte weg zu tom kha gai pa](#)

[einfach thai der entspannte weg zu tom kha gai pa free pdf](#) - Jul 01 2022

web [einfach thai der entspannte weg zu tom kha gai pa free pdf](#) books author 139 162 58 18 subject [einfach thai der entspannte weg zu tom kha gai pa](#)

hadits shahih bukhari muslim hc google books - Nov 23 2022

web sep 25 2017 kumpulan hadits yang terdapat dalam kitab ini merupakan hadits tershahih sekaligus memiliki kekuatan dalil setingkat di bawah al qur an artinya keberadaan hadits hadits ini tak dapat

syarah shahih muslim 1 pustaka abik archive org - Jun 18 2022

web feb 2 2021 [syarah shahih muslim](#) adalah kitab syarah hadits yang sangat masyhur populer di kalangan umat islam salah satu dari karya imam an nawawi ini merupakan syarah dari kitab shahih muslim karya imam muslim penulis sengaja

mensyarah kitab ini karena melihat besarnya faedah dan manfaat bagi umat islam

osmanlı İmparatorluğu nda İslam vikipedi - Oct 23 2022

web hadis külliyyatı kutubu l sitte sahih i buhari sünni İslam osmanlı İmparatorluğu nun resmî diniydi memlûk devleti nin 1517 de uğradığı yenilginin ardından sultan i selim İslam ın en yüksek mevkisi olan hilafet makamını üstlenerek osmanlı halifeliği ni kurdu

sahih hadis nedir sahih hadis Örnekleri nelerdir milliyet - Feb 24 2023

web mar 23 2021 sahih hadis Örnekleri nelerdir Ümmetimin din işlerinde faydalı kırk hadis ezberleyen âlimlerle haşır olur İnsanlara merhamet etmeyene allah merhamet etmez dua ibadetin

hadis sahih muslim terjemahan bahasa melayu english - Apr 16 2022

web hadis sahih muslim cari 1 kitab iman jumlah hadis 434 8 222 2 kitab penyucian jumlah hadis 144 223 292 3 kitab al haid jumlah hadis 156 293 376 4 kitab solat jumlah hadis 321 274 519 5 kitab masjid dan tempat solat jumlah hadis 402 33 684 6 kitab doa pengembara jumlah hadis 377 336 843 7

sahih muslim sunnah com - Oct 03 2023

web sahih muslim is a collection of hadith compiled by imam muslim ibn al hajjaj al naysaburi rahimahullah collections of the sunnah of the prophet ﷺ and along with it contains roughly 7500 hadith with repetitions in 57 books the translation provided here is by abdul hamid siddiqui more information introduction 1 □□□□□□□ to 7 1

kumpulan hadits shahih muslim - Aug 01 2023

web kumpulan hadits lengkap hadits shahih hadits arbain hadits bukhari hadits muslim hadits abu dawud hadits tirmidzi hadits nasai hadits ibnumajah

sahih tdv İslâm ansiklopedisi türkiye diyanet vakfı İslam - Jun 30 2023

web farklı dönemlerde yaşayan âlimler sahih hadiste şu beş şartın bulunması gerektiğini ifade etmiştir 1 râviler adâlet sahibi yani müslüman akıl bâliğ takvâ ve mürüvvet sahibi olmalıdır mürüvvet râvinin saygın bir kişiliği bulunması ve kişiliğine zarar verecek davranışlardan uzak durması demektir

sahih hadis nedir İslam ve İhsan - Apr 28 2023

web sep 9 2020 bu esasları şöyle sıralayabiliriz 1 sahih hadis kur an a ve sahih olan sünnete aykırı olmaz bir hadis kur an a veya sahih sünnete aykırı ise o hadis hazreti peygamberin ağzından çıkmadığı anlaşılır 2 sahih hadis akla aykırı değildir İslam dini akla önem veren bir dindir

kumpulan hadits shahih beserta arabnya yang pendek - Feb 12 2022

web kumpulan hadits shahih beserta arabnya yang pendek kumpulan hadits shahih beserta arabnya yang pendek dan ringkas cocok untuk kita hafal dan kita gunakan sebagai pedoman hidup hadits adalah sumber hukum di dalam islam yang

kedudukannya berada di posisi kedua di bawah al quran selain ijma dan qiyas secara berurutan

all books and chapters of sahih al bukhari islamicfinder - Dec 25 2022

web saheeh al bukhari is a collection of hadees by muhammad ibn isma el al bukhari it is considered as the most authentic islamic book after the holy quran all of its narrations are authentic it is famous for the linking of ahadeeth to chapters

sahih al muslim collection of hadith in imam muslim book with - Sep 02 2023

web sahih al muslim saheeh muslim is authored by muslim ibn al hajjaj an naysaboori it is considered as the most authentic hadith collection after sahih al bukhari the wordings of the book is preffered to bukhari sharif and narrations on one topic can all be found in the same place sahih al muslim 56 chapters 7561 ahadith 1 introduction

hadis my sahih muslim - Jul 20 2022

web sahih muslim bahasa arab ﺷﺎﮬﯿﮦ ﻣﺴﻠﯿﻢ ﺷﺎﮬﯿﮦ muslim tajuk sebenar al musnadu al sahihu bi naklil adli ialah salah satu dari enam kitab hadis dalam islam ahli sunah waljamaah kitab ini yang disusun oleh imam muslim merupakan salah satu dari dua kitab yang paling sahih dan murni sesudah kitabullah al quran bersama dengan sahih

shahih muslim wikipedia bahasa indonesia ensiklopedia bebas - May 18 2022

web menurut penomoran al alamiyah terdapat 5362 hadis dalam shahih muslim sedangkan menurut abdul baqi ada 3033 hadis

sahih muslim islamische datenbank - Aug 21 2022

web sahih muslim das sahih muslim arabisch ﺷﺎﮬﯿﮦ ﻣﺴﻠﯿﻢ dmg Şahîh muslim von imām muslim ibn al haddschādsch um 820 875 ist eine wichtige Ḥadīṭ sammlung es gilt nach Şahîh al buchārī als das zuverlässigste Ḥadīṭbuch und ist eine der sechs kanonischen Ḥadīṭ sammlungen ihr kompilator war ein

pdf sahih muslim arabic english vol 1 7 archive org - May 30 2023

web jan 31 2022 sahih muslim is a collection of hadith compiled by imam muslim al nayshapuri ﺷﺎﮬﯿﮦ ﻣﺴﻠﯿﻢ his collection is considered to be one of the most authentic collections of the sunnah of the prophet ﺷﺎﮬﯿﮦ ﻣﺴﻠﯿﻢ ﺷﺎﮬﯿﮦ ﻣﺴﻠﯿﻢ and along with sahih al bukhari forms the sahihain it contains around 7500 ahadith

sahih hadislerin sayısı ne kadardır İslam ve İhsan - Jan 26 2023

web mar 6 2019 hadisin terim anlamı hz peygamber in sözü fiili ashâbının yaptığını görüp de reddetmediği davranışlar takrir ve onun yaratılışı veya huyu ile ilgili her türlü bilgi demektir hadis hz peygamber i dinleyen sahâbîden başlayarak onu rivâyet edenlerin adlarının yazılı olduğu sened ile hz peygamber in

sahih muslim 804a the book of prayer sunnah com - Mar 16 2022

web sahih muslim 804 a abu umama said he heard allah s messenger ﷺ say recite the qur an for on the day of resurrection it will come as an intercessor for those who recite it recite the two bright ones al baqara and surah al imran for on the day of

resurrection they will come as two clouds or two shades or two flocks of birds in ranks

sahih muslim wikipedia - Mar 28 2023

web sahih muslim arabic صحیح مسلم رومانized Şahîh muslim is a 9th century hadith collection and a book of sunnah compiled by the persian scholar muslim ibn al Ḥajjāj 815 875 it is one of the most valued books in sunni islam after the quran alongside sahih al bukhari

kumpulan hadits shahih al bukhari - Sep 21 2022

web hadits shahih al bukhari kumpulan hadits lengkap hadits shahih hadits arbain hadits bukhari hadits muslim hadits abu dawud hadits tirmidzi hadits nasai hadits ibnumajah

john persons vector images over 160 vectorstock - Oct 09 2022

the best selection of royalty free john persons vector art graphics and stock illustrations download 160 royalty free john persons vector images

john persons rule 34 rule34hq com - Jun 05 2022

john persons rule 34 agent bigg comic dark skinned female dark skinned male dark skin john persons lady dench light skinned male light skin rabies t lagomorph tagme discover the largest collection of free john persons rule 34 pictures

Istanbul family art gallery yorumları tripadvisor - Jul 06 2022

if you are in the market for a turkish rug make sure you go to the family art gallery in the arasta bazaar near the blue mosque the owner ebubekir akbulut is one of the nicest people we met while in istanbul he has a heart of gold and the carpets there are beautiful make sure you stop in to see for yourself

john persons high photos and premium high res pictures - Jan 12 2023

browse 17 716 john persons high photos and images available or start a new search to explore more photos and images browse getty images premium collection of high quality authentic john persons high stock photos royalty free images and pictures john persons high stock photos are available in a variety of sizes and formats to fit your needs

theofficialpit professional general artist deviantart - Apr 03 2022

sell custom creations to people who love your style poll ask the community find out what other deviants think about anything at all subscription gallery all 79 deviations featured 79 deviations animated gif 9 deviations hypnos series with power girl 7 deviations jenny summers 12 deviations all 79 jenny s attitude

2 301 john person photos high res pictures getty images - Sep 08 2022

search instead in creative showing results for john pearson search instead for john person browse getty images premium collection of high quality authentic john person photos royalty free pictures taken by professional getty images photographers available in multiple sizes and formats to fit your needs

art galleries ktb - Dec 11 2022

art galleries there are many art galleries affiliated to the public private sector local government universities associations and foundations in İstanbul the first art workshops started in beyoğlu pera region in the 19th century and continued as art galleries afterwards today nearly 100 of the art galleries are located in beyoğlu

twitter - Aug 19 2023

we would like to show you a description here but the site won t allow us

john persons scroller - Jun 17 2023

body is not valid json ok

[john persons on twitter view more interracial comics at](#) - Mar 14 2023

we would like to show you a description here but the site won t allow us

darklord johnpersons com exclusive interview ongoing - Aug 07 2022

dec 16 2019 there might be 1 2 more pictures released since my last update and i no longer have access to jp s site at the moment i ll re up in a few months if you like his other work i highly suggest you toss him a patreon sub he is also working on a game that looks promising

lost in the hood john persons fan tribute flickr - May 16 2023

lost in the hood john persons fan tribute watch john persons interracial and taboo drawings of some of the wildest and kinkiest subjects enjoy the galleries from johnpersons com wearing guilty gangsta shirt guilty gangsta pants lel evox alain 3 1 mesh head cuban bracelet 18k

[in this exhibition gender meets climate activism it s a lot](#) - Mar 02 2022

oct 18 2023 the critic emily labarge saw re sisters a lens on gender and ecology in london oct 18 2023 we won t play nature to your culture declares a 1983 work by the american artist

john persons free galleries flash photo gallery - Nov 10 2022

all need files and html code will be generated in flash photo gallery visual interface for windows and mac os just open images in flash photo gallery program specify the description and adjust transition properties for each image publish the john persons free galleries to a local drive or directly to the internet via a built in ftp client

patreon - Apr 15 2023

john persons is creating content you must be 18 to view are you 18 years of age or older yes i am 18 or older john persons john persons creating erotic interracial art become a member of john persons john persons art 3 month join here you can view the original artwork of john persons

john persons hi res stock photography and images alamy - Feb 01 2022

english poet polemicist man of letters and civil servant from the 1813 edition of the heads of illustrious persons of great britain engraved by mr houbraken and mr vertue with their lives and characters find the perfect john persons stock photo image vector illustration or

john persons patreon - Sep 20 2023

skip navigation

hamas frees u s hostages judith and natalie raanan held in - May 04 2022

1 day ago the islamist group hamas released two u s hostages mother and daughter judith and natalie raanan who were kidnapped in its attack on southern israel on oct 7 israeli prime minister benjamin

artopol art gallery İstanbul artopol art gallery yorumları - Feb 13 2023

artopol galeri online platformu ve 42 maslak ta yer alan 600 mtkarelik geniş mekanı ile yeni nesil ve çağdaş bir galeridir 80 i aşkım çağdaş sanatçının son dönem eserlerini keşfedip satın alabileceğiniz keyifli bir ortam sunar ayrıca tüm eserleri kolaylıkla web sitesinden inceleyebilir ve satın alabilirsiniz

the ten best contemporary art galleries in istanbul culture - Jul 18 2023

aug 13 2021 pi artworks founded in 1998 pi artworks focuses on the meeting of perspectives of the art market through its mixture of turkish and international exhibitions it is widely recognised as one of the leading contemporary art galleries in istanbul since its beginnings the gallery has grown under the direction of yesim turanli who was also one