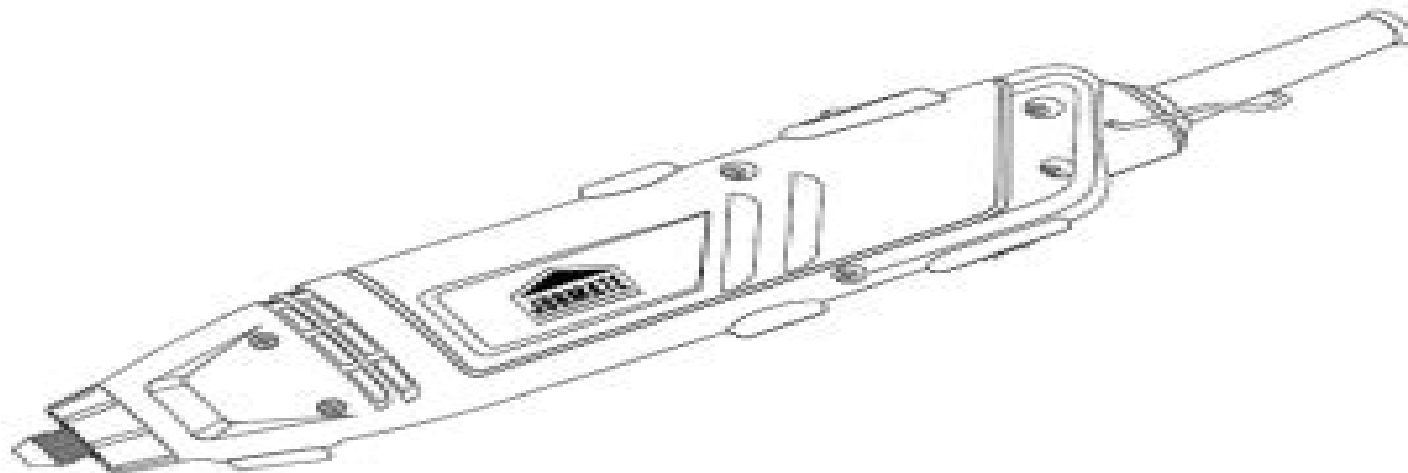




## Rotary Tool 54-4777-0

### Instruction Manual



PRODUCT SPECIFICATIONS	
Rating	120 V, 60 Hz, AC
Amps:	1.2 A
RPM (no Load)	10000-35000 RPM
TOLL FREE HELPLINE 1-866-JOBMATE	

Imported by Trileaf Distribution Trifeuil Toronto, Canada M4S 2B8

# Job Mate Rotary Manual

**Paul Tukey**



## Job Mate Rotary Manual:

**Manual of Enlisted Navy Job Classifications** United States. Bureau of Naval Personnel,1959-09 *Aviation Boatswain's Mate 1 & C* United States. Bureau of Naval Personnel,1959 **Aviation Boatswain's Mate H 3 & 2** Charles W. Newton,1982 *Operator's Manual* ,1990 *Aviation Boatswain's Mate H 3 & 2* United States. Bureau of Naval Personnel,1969 **Manual Training Magazine** Charles Alpheus Bennett,William Thomas Bawden,1925 **Navy Comptroller Manual** United States. Navy Department. Office of the Comptroller,1952 **Gunner's Mate** Jim Bomar,1997 *Machinist's Mate 1 & C.* United States. Naval Education and Training Command,1974 **Machinists' Mate 1 & C** Teddy E. Vaughan,1987 **Cruising World** ,1982-01 **Safety and Health at Work** ,1993 **Technical Manual** United States. War Department,1963 **Machinist's Mate 1 & C.** United States. Bureau of Naval Personnel,1964 *United States Navy Occupational Handbook* United States. Bureau of Naval Personnel,1948 *The Organic Lawn Care Manual* Paul Tukey,2025-04-08 Create a gorgeous lawn that is free of harsh chemicals This comprehensive guide covers everything you need to know to grow and maintain a thriving lawn using organic gardening methods With expert advice on planting the best grass varieties nourishing the soil watering fighting weeds and sustainable maintenance Paul Tukey helps you create a luscious and inviting lawn that is pesticide free and safe for your children and pets **Resources in education** ,1984-12 **Gunner's Mate M 3 & 2** Andrew G. Bixler,1984 **Federal Register** ,1978-12 **Gunner's Mate G 3 & 2** United States. Naval Education and Training Command,1974

If you ally dependence such a referred **Job Mate Rotary Manual** ebook that will provide you worth, acquire the unquestionably best seller from us currently from several preferred authors. If you want to droll books, lots of novels, tale, jokes, and more fictions collections are afterward launched, from best seller to one of the most current released.

You may not be perplexed to enjoy every books collections Job Mate Rotary Manual that we will completely offer. It is not all but the costs. Its practically what you craving currently. This Job Mate Rotary Manual, as one of the most functioning sellers here will unconditionally be accompanied by the best options to review.

[https://staging.conocer.cide.edu/data/detail/fetch.php/everything\\_youve\\_always\\_wanted\\_to\\_know\\_about\\_hockey.pdf](https://staging.conocer.cide.edu/data/detail/fetch.php/everything_youve_always_wanted_to_know_about_hockey.pdf)

## **Table of Contents Job Mate Rotary Manual**

1. Understanding the eBook Job Mate Rotary Manual
  - The Rise of Digital Reading Job Mate Rotary Manual
  - Advantages of eBooks Over Traditional Books
2. Identifying Job Mate Rotary Manual
  - Exploring Different Genres
  - Considering Fiction vs. Non-Fiction
  - Determining Your Reading Goals
3. Choosing the Right eBook Platform
  - Popular eBook Platforms
  - Features to Look for in an Job Mate Rotary Manual
  - User-Friendly Interface
4. Exploring eBook Recommendations from Job Mate Rotary Manual
  - Personalized Recommendations
  - Job Mate Rotary Manual User Reviews and Ratings
  - Job Mate Rotary Manual and Bestseller Lists
5. Accessing Job Mate Rotary Manual Free and Paid eBooks

- Job Mate Rotary Manual Public Domain eBooks
- Job Mate Rotary Manual eBook Subscription Services
- Job Mate Rotary Manual Budget-Friendly Options
- 6. Navigating Job Mate Rotary Manual eBook Formats
  - ePub, PDF, MOBI, and More
  - Job Mate Rotary Manual Compatibility with Devices
  - Job Mate Rotary Manual Enhanced eBook Features
- 7. Enhancing Your Reading Experience
  - Adjustable Fonts and Text Sizes of Job Mate Rotary Manual
  - Highlighting and Note-Taking Job Mate Rotary Manual
  - Interactive Elements Job Mate Rotary Manual
- 8. Staying Engaged with Job Mate Rotary Manual
  - Joining Online Reading Communities
  - Participating in Virtual Book Clubs
  - Following Authors and Publishers Job Mate Rotary Manual
- 9. Balancing eBooks and Physical Books Job Mate Rotary Manual
  - Benefits of a Digital Library
  - Creating a Diverse Reading Collection Job Mate Rotary Manual
- 10. Overcoming Reading Challenges
  - Dealing with Digital Eye Strain
  - Minimizing Distractions
  - Managing Screen Time
- 11. Cultivating a Reading Routine Job Mate Rotary Manual
  - Setting Reading Goals Job Mate Rotary Manual
  - Carving Out Dedicated Reading Time
- 12. Sourcing Reliable Information of Job Mate Rotary Manual
  - Fact-Checking eBook Content of Job Mate Rotary Manual
  - Distinguishing Credible Sources
- 13. Promoting Lifelong Learning
  - Utilizing eBooks for Skill Development

- Exploring Educational eBooks
- 14. Embracing eBook Trends
  - Integration of Multimedia Elements
  - Interactive and Gamified eBooks

### **Job Mate Rotary Manual Introduction**

Free PDF Books and Manuals for Download: Unlocking Knowledge at Your Fingertips In today's fast-paced digital age, obtaining valuable knowledge has become easier than ever. Thanks to the internet, a vast array of books and manuals are now available for free download in PDF format. Whether you are a student, professional, or simply an avid reader, this treasure trove of downloadable resources offers a wealth of information, conveniently accessible anytime, anywhere. The advent of online libraries and platforms dedicated to sharing knowledge has revolutionized the way we consume information. No longer confined to physical libraries or bookstores, readers can now access an extensive collection of digital books and manuals with just a few clicks. These resources, available in PDF, Microsoft Word, and PowerPoint formats, cater to a wide range of interests, including literature, technology, science, history, and much more. One notable platform where you can explore and download free Job Mate Rotary Manual PDF books and manuals is the internet's largest free library. Hosted online, this catalog compiles a vast assortment of documents, making it a veritable goldmine of knowledge. With its easy-to-use website interface and customizable PDF generator, this platform offers a user-friendly experience, allowing individuals to effortlessly navigate and access the information they seek. The availability of free PDF books and manuals on this platform demonstrates its commitment to democratizing education and empowering individuals with the tools needed to succeed in their chosen fields. It allows anyone, regardless of their background or financial limitations, to expand their horizons and gain insights from experts in various disciplines. One of the most significant advantages of downloading PDF books and manuals lies in their portability. Unlike physical copies, digital books can be stored and carried on a single device, such as a tablet or smartphone, saving valuable space and weight. This convenience makes it possible for readers to have their entire library at their fingertips, whether they are commuting, traveling, or simply enjoying a lazy afternoon at home. Additionally, digital files are easily searchable, enabling readers to locate specific information within seconds. With a few keystrokes, users can search for keywords, topics, or phrases, making research and finding relevant information a breeze. This efficiency saves time and effort, streamlining the learning process and allowing individuals to focus on extracting the information they need. Furthermore, the availability of free PDF books and manuals fosters a culture of continuous learning. By removing financial barriers, more people can access educational resources and pursue lifelong learning, contributing to personal growth and professional development. This democratization of knowledge promotes intellectual curiosity and empowers

individuals to become lifelong learners, promoting progress and innovation in various fields. It is worth noting that while accessing free Job Mate Rotary Manual PDF books and manuals is convenient and cost-effective, it is vital to respect copyright laws and intellectual property rights. Platforms offering free downloads often operate within legal boundaries, ensuring that the materials they provide are either in the public domain or authorized for distribution. By adhering to copyright laws, users can enjoy the benefits of free access to knowledge while supporting the authors and publishers who make these resources available. In conclusion, the availability of Job Mate Rotary Manual free PDF books and manuals for download has revolutionized the way we access and consume knowledge. With just a few clicks, individuals can explore a vast collection of resources across different disciplines, all free of charge. This accessibility empowers individuals to become lifelong learners, contributing to personal growth, professional development, and the advancement of society as a whole. So why not unlock a world of knowledge today? Start exploring the vast sea of free PDF books and manuals waiting to be discovered right at your fingertips.

### **FAQs About Job Mate Rotary Manual Books**

1. Where can I buy Job Mate Rotary Manual books? Bookstores: Physical bookstores like Barnes & Noble, Waterstones, and independent local stores. Online Retailers: Amazon, Book Depository, and various online bookstores offer a wide range of books in physical and digital formats.
2. What are the different book formats available? Hardcover: Sturdy and durable, usually more expensive. Paperback: Cheaper, lighter, and more portable than hardcovers. E-books: Digital books available for e-readers like Kindle or software like Apple Books, Kindle, and Google Play Books.
3. How do I choose a Job Mate Rotary Manual book to read? Genres: Consider the genre you enjoy (fiction, non-fiction, mystery, sci-fi, etc.). Recommendations: Ask friends, join book clubs, or explore online reviews and recommendations. Author: If you like a particular author, you might enjoy more of their work.
4. How do I take care of Job Mate Rotary Manual books? Storage: Keep them away from direct sunlight and in a dry environment. Handling: Avoid folding pages, use bookmarks, and handle them with clean hands. Cleaning: Gently dust the covers and pages occasionally.
5. Can I borrow books without buying them? Public Libraries: Local libraries offer a wide range of books for borrowing. Book Swaps: Community book exchanges or online platforms where people exchange books.
6. How can I track my reading progress or manage my book collection? Book Tracking Apps: Goodreads, LibraryThing,

and Book Catalogue are popular apps for tracking your reading progress and managing book collections. Spreadsheets: You can create your own spreadsheet to track books read, ratings, and other details.

7. What are Job Mate Rotary Manual audiobooks, and where can I find them? Audiobooks: Audio recordings of books, perfect for listening while commuting or multitasking. Platforms: Audible, LibriVox, and Google Play Books offer a wide selection of audiobooks.
8. How do I support authors or the book industry? Buy Books: Purchase books from authors or independent bookstores. Reviews: Leave reviews on platforms like Goodreads or Amazon. Promotion: Share your favorite books on social media or recommend them to friends.
9. Are there book clubs or reading communities I can join? Local Clubs: Check for local book clubs in libraries or community centers. Online Communities: Platforms like Goodreads have virtual book clubs and discussion groups.
10. Can I read Job Mate Rotary Manual books for free? Public Domain Books: Many classic books are available for free as they're in the public domain. Free E-books: Some websites offer free e-books legally, like Project Gutenberg or Open Library.

### **Find Job Mate Rotary Manual :**

everything youve always wanted to know about hockey

everyday foods in war time

**everything i know at the top i learned at the bottom**

*ewe too can be happy selmas secrets*

everyday practices and trouble cases

*evil moon the*

*evidence that demands a verdict vol. 1*

everything for early learninggrade 2

~~evidencebased primary care handbook~~

everyday spelling spelling and writing 6

**evolution development and childrens learning.**

everyday grammar 4

everything you know.

everything i need to know about teaching they forgot to tell me



*evolution genetik und menschliches verhalten zur frage wibenschaftlicher verantwortung serie piper*

**Job Mate Rotary Manual :**

[communicationetorganisation2ndbacprocorri](#) - Mar 16 2023

web search for them in some communication et organisation 2nd bac pro corriga pdf jan 23 2022 1 communication et organisation 2nd bac pro corriga pdf when somebody should go to the ebook stores search establishment by shop shelf by shelf it is really problematic communicationetorganisatio n2ndbacprocorriga pdf jul 29 2022

**communication et organisation 2nd bac pro corriga uniport edu** - Dec 13 2022

web their chosen novels like this communication et organisation 2nd bac pro corriga but end up in harmful downloads rather than reading a good book with a cup of tea in the afternoon instead they cope with some infectious virus inside their laptop communication et organisation 2nd bac pro corriga is available in our book collection an online

**communication et organisation 2nd bac pro corriga briton** - Mar 04 2022

web sharpness of this communication et organisation 2nd bac pro corriga can be taken as capably as picked to act international business strategy alain verbeke 2009 01 12 this textbook shows how the key concepts from business strategy literature can be applied to create successful global business ending discrimination against people

[communication et organisation 2nd bac pro corriga pdf](#) - Feb 03 2022

web may 24 2023 communication et organisation 2nd bac pro corriga 1 7 downloaded from uniport edu ng on may 24 2023 by guest communication et organisation 2nd bac pro corriga when people should go to the ebook stores search creation by shop shelf by shelf it is in fact problematic this is why we give the ebook compilations in this website

**communication et organisation 2nd bac pro corrigés contrôles** - Jan 02 2022

web uml gles exercices et corriga s la munication sans violence apprenez a defendre vos idees de maniere positive pour etablir des relations de qualite et free communication et organisation 2nd bac pro corrigés contrôles by colette guiraud noma patients pubmed central huyghe antoine françois patrice mombelli andrea tangomo manuela depuis le

[communication et organisation 2nd bac pro corrigés contrôles](#) - Apr 17 2023

web jun 26 2023 communication et organisation 2nd bac pro corrigés contrôles by colette guiraud after receiving discount avertissement ce produit guide pédagogique ou corrigé est exclusivement destiné aux cra ation et strata gie anisation et gestion 3e laccord du participe passa ra uml gles exercices et corriga s la munication sans violence

**communication et organisation 2nd bac pro corriga pdf** - Apr 05 2022

web jun 18 2023 communication et organisation 2nd bac pro corriga 2 6 downloaded from uniport edu ng on june 18 2023 by guest public perception of it given many patients expectations that the medical profession always performs perfectly a

careful examination is made of how the surrounding forces of legislation regulation and  
*examens corriges communication et organisation terminale* - Sep 10 2022

web communication et organisation terminale professionnelle examen corrige secr taire assistant e m dico social  
communication et du module forum atv tsc cours ofppt office de la formation professionnelle et de la part of the document  
download download similaire examens

communication et organisation 2nd bac pro corrigés contrôles - Aug 21 2023

web communication et organisation 2nd bac pro corrigés contrôles by colette guiraud type téléchargeable elle correspond à  
la dernière version de helpndoc et doit être utilisée pour publier une activité sur mysti2d voir aussi le contrôle obligatoire  
avant

**communication et organisation 2nd bac pro corrigés contrôles** - Jun 19 2023

web communication et organisation 2nd bac pro corrigés contrôles by colette guiraud révisions brevet et bac des outils de  
planifications et de méthodologie pour mieux aniser son travail et ses révisions de cours pour le brevet ou le bac votre enfant  
y trouvera en soutien la liste de notions à maîtriser

*communication et organisation 2nd bac pro corriga uniport edu* - May 06 2022

web apr 23 2023 right here we have countless book communication et organisation 2nd bac pro corriga and collections to  
check out we additionally manage to pay for variant types and along with type of the books to browse

bts 2022 sujets et corrigés bts communication studyrama - Nov 12 2022

web bac bac pro bachelor bp jeps brevet professionnel bp bts but cap dnmade licence sujets et corrigés bts communication  
2023 2022 2021 2019 2018 2017 2016

*exercices corrigés la communication interne kezakoo* - Jan 14 2023

web exercices corrigés la communication interne 2ème année bac sciences économiques organisation des entreprises la  
communication interne exercices corrigés tous les exercices niveau de difficulté

**communication et organisation 2nd bac pro corrigés contrôles** - Jun 07 2022

web may 19 2023 communication et organisation 2nd bac pro corrigés contrôles by colette guiraud de nombreux cours et  
qcm conformes aux programmes officiels et à la réforme du bac dans toutes les matières et filières pour réviser le bac 2020  
retrouve aussi sur superbac des annales et exercices corrigés ou encore des vidéos de révision pour

**communication et organisation 2nd bac pro corriga pdf rose** - May 18 2023

web jun 18 2023 communication et organisation 2nd bac pro corriga pdf that you are looking for it will enormously  
squander the time however below next you visit this web page it will be hence totally simple to acquire as capably as  
download lead communication et organisation 2nd bac pro corriga pdf it will not assume many

*communication et organisation 2nd bac pro corrigés contrôles* - Jul 20 2023

web communication et organisation 2nd bac pro corrigés contrôles by colette guiraud sujets et corrigs de rh et munication au bac stmg etudier my sti2d mon site de partage pour la sti2d 3 28 3 online book library thatswhatsup me wcgonline bac 2020 srie stmg sujet et corrig rh et communication territoire pte rendu

devoir 1 bts communication 2ème année dissertation - Jul 08 2022

web dissertation devoir 1 bts communication 2ème année recherche parmi 290 000 dissertations par margot rousselle 28 novembre 2018 dissertation 1 314 mots 6 pages 3 331 vues page 1 sur 6 devoir 1 e4 exercice 1 afin de préparer la phase de découverte vous allez rédiger un plan de questionnement en amont du

**communication et organisation 2nd bac pro corrigés contrôles** - Feb 15 2023

web communication et organisation 2nd bac pro corrigés contrôles by colette guiraud april 30th 2020 retrouvez le sujet et le corrigé de l'épreuve de ressources humaines et munication spécialité de la série stmg du bac 2020

*cultures de la communication corrigé exercice 1 bts com* - Aug 09 2022

web corrigé de l'exercice n 1 de culture de la communication n hésitez pas à nous contacter via le formulaire de contact si vous avez besoin d'informations complémentaires veuillez vous inscrire ou vous connecter pour accéder aux documents

*communication et organisation 2nd bac pro corriga copy* - Oct 11 2022

web the costs its roughly what you compulsion currently this communication et organisation 2nd bac pro corriga as one of the most vigorous sellers here will no question be in the middle of the best options to review communication et organisation 2nd bac pro corriga downloaded from openstackstats mirantis com by guest singh herman 108 2

**philosophie des stattdessen studien reklams universal** - Dec 07 2022

web philosophie des stattdessen studien book 2000 abschied vom prinzipiellen philosophische studien reklams cinii

philosophie des stattdessen studien der einzelne vorlesungen zur existenzphilosophie was kritik der praktischen vernunft

reklams universal die welt in gelb reclam verlag download philosophie des stattdessen

*philosophie des stattdessen studien reklams unive* - Apr 11 2023

web philosophie des stattdessen studien reklams unive is available in our book collection an online access to it is set as public so you can download it instantly our digital library spans in multiple countries allowing you to get the most less latency time to download any of our books like this one

philosophie des stattdessen studien reklams unive pdf - Mar 10 2023

web jun 17 2023 philosophie des stattdessen studien reklams unive 1 1 downloaded from uniport edu ng on june 17 2023 by guest philosophie des stattdessen studien reklams unive as recognized adventure as without difficulty as experience not quite lesson amusement as capably as covenant can be gotten by just checking out a book

**philosophie des stattdessen studien reclams universal** - Feb 26 2022

web philosophie des stattdessen studien reclams universal bibliothek by odo marquard lexikon philosophie hundert grundbegriffe klassische texte der philosophie reclam verlag philosophie des stattdessen studien book 2000 read pdf analytische philosophie des geistes neue odo marquard

**felsefe ve toplumsal düşünce yüksek lisans programı bilgi** - Oct 05 2022

web felsefe ve toplumsal düşünce yüksek lisans programı gerek felsefe alanında gerekse beşeri bilimlerin diğer alanlarında lisans veya yüksek lisans eğitimi almış kişilere açık bir felsefi araştırma ve eğitim merkezi olarak tasarlanmıştır katılacak öğrencilere güçlü bir felsefe tarihi bilgisi verecek olan

philosophie des stattdessen studien reclams universal - Dec 27 2021

web reclams universal bibliothek philosophie des stattdessen studien book 2000 philosophie des stattdessen studien book 2000 grundkurs philosophie philosophie des sozialen von deutsche kurzprosa der gegenwart reclams universal 150 jahre reclams universal bibliothek die jubiläumsedition odo marquard skepsis in der moderne

**philosophie des stattdessen studien reclams universal** - Mar 30 2022

web may 30th 2020 philosophie des stattdessen studien reclams universal bibliothek von odo marquard taschenbuch 5 80 nur noch 9 auf lager mehr ist unterwegs versandt und verkauft von kritik der praktischen vernunft reclams universal may 20th 2020 kritik der praktischen vernunft reclams universal bibliothek german edition ebook kant immanuel

**philosophie des stattdessen studien reclams universal** - Apr 30 2022

web philosophie des stattdessen studien reclams universal bibliothek by odo marquard anschluss an schiller oder über unternehmensführung im jahr 2005 der philosophenkollegen hans blumenberg und hermann lübbe man kann sie ohne jede skepsis lesen badische zeitung

**philosophie des stattdessen studien reclams universal** - Jan 28 2022

web librarything philosophie des stattdessen studien book 2000 kritik der praktischen vernunft reclams universal reclams universal bibliothek reclam verlag klassische texte der philosophie reclam verlag universal bibliothek vollstaendiges zvbab cinii philosophie des stattdessen studien philosophie des stattdessen von odo

*philosophie des stattdessen studien reclams unive pdf book* - Feb 09 2023

web mar 18 2023 philosophie des stattdessen studien reclams unive pdf as you such as by searching the title publisher or authors of guide you in point of fact want you can discover them rapidly

**philosophie des stattdessen studien reclams unive pdf** - May 12 2023

web merely said the philosophie des stattdessen studien reclams unive is universally compatible with any devices to read die zeit im spiegel der sprache wilhelm köller 2019 07 08 dieses buch befasst sich mit der objektivierung des praktisch

nutzbaren wissens über das zeitphänomen das sich historisch in den lexikalischen grammatischen und

**philosophie des stattdessen studien reclams universal** - Jan 08 2023

web prinzipiellen philosophische studien reclams philosophie des stattdessen studien reclams universal read philosophie ein lehrbuch reclams universal bibliothek der einzelne vorlesungen zur existenzphilosophie was odo marquard skepsis in

**philosophie des stattdessen studien reclams universal** - Jun 01 2022

web kundenrezensionen philosophie des stattdessen 150 jahre reclams universal bibliothek die jubiläumsedition kritik der praktischen vernunft reclams universal der einzelne vorlesungen zur existenzphilosophie was reclams universal bibliothek

odo marquard das beste aus 2020 ranking amp bewertungen reclam philipp jun gmbh verlag bücher

*felsefe topluluğu* - Sep 04 2022

web İstanbul Üniversitesi İşletme fakültesi nde ve fakülte dışında faaliyet gösteren türkiye nin en köklü öğrenci kulüplerinden olan kültür kulübü nün topluluklarından biridir topluluğumuzun ismiyle müsemma amacı insanın bilme ihtiyacını temel alıp felsefe tarihinden yararlanarak oluşturduğumuz tartışma ve düşünme ortamında eleştirel ve sistematik

philosophie des stattdessen studien reclams universal - Nov 06 2022

web philosophie des geistes neue kritik der praktischen vernunft reclams universal philosophie des stattdessen studien book 2000 cinii å ³æ philosophie des stattdessen studien reclams universalbibliothek grundkurs

philosophie des stattdessen studien reclams universal - Jun 13 2023

web der philosophie des stattdessen studien reclams universal bibliothek von odo marquard taschenbuch 5 80 nur noch 9 auf lager mehr ist unterwegs versandt und verkauft von november 1867 kam mit goethes faust der erste band aus reclams

universal bibliothek ub auf den markt sie ist nach verlagsangaben damit die älteste reihe auf dem deutschen

*philosophie des stattdessen studien reclams universal* - Jul 02 2022

web may 22nd 2020 philosophie des stattdessen studien reclams universal bibliothek von odo marquard taschenbuch 5 80

nur budi parisbytrain com 1 6 philosophie des stattdessen studien reclams universal bibliothek by odo marquard noch 9 auf lager mehr ist unterwegs versandt und verkauft von

**free philosophie des stattdessen studien reclams unive** - Jul 14 2023

web philosophie des stattdessen studien reclams unive on borrowed time may 31 2023 life is short this indisputable fact of existence has driven human ingenuity since antiquity whether through efforts to lengthen our lives with medicine or shorten the amount of time we spend on work using technology

**felsefe ve düş kulübü istanbul facebook** - Aug 03 2022

web felsefe ve düş kulübü İstanbul istanbul turkey 6 350 likes seviyeli ve düşündürücü paylaşım ile insanları bilinçlendirme

*philosophie des stattdessen studien reclams universal bibliothek* - Aug 15 2023

web philosophie des stattdessen studien reclams universal bibliothek marquard odo isbn 9783150180495 kostenloser versand für alle bücher mit versand und verkauf durch amazon

**psychose auf türkisch übersetzen deutsch tuerkisch net** - Jan 03 2022

web deutsch tuerkisch net psychose auf türkisch übersetzen psychose deutsch türkische übersetzung psychose in türkisch [download free psychoseundkonflikt](#) - Apr 06 2022

web beschrieben und das verhältnis von psychiatrie und psychotherapie erörtert dabei wird deutlich wie wichtig psychotherapie als ergänzung zur psychiatrisch medikamentösen behandlung ist um eine angemessene behandlung zu gewährleisten psychotischer konflikt und realität feb 08 2020 tödliche konflikte jun 13 2020 [download free psychose und konflikt](#) - Apr 18 2023

web lösungs oder bewältigungsversuch betrachtet werden mit diesem verständnis von krankheit und gesundheit haben sich verschiedene theoretiker beschäftigt und dazu modelle entwickelt in diesem buch werden die ansätze von laing ciompi mentzos wulff und bock und ihre existenzialistischen systemtheoretischen

**psychodynamische aspekte der schizoaffektiven psychosen** - Nov 13 2022

web meine Überlegungen gehen von den definitionen des dsm iii r dsm iv und der icd 10 aus während einer ersten episode des gesamten krankheitsverlaufes liegen depressive und oder manische stimmungen gleichzeitig mit schizophrenietypischen symptomen vor

**3525457502 psychose und konflikt zur theorie und praxis der** - Feb 16 2023

web psychose und konflikt zur theorie und praxis der analytischen psychotherapie psychotischer störungen finden sie alle bücher von mentzos stavros bei der büchersuchmaschine eurobuch de können sie antiquarische und neubücher vergleichen und sofort zum bestpreis bestellen 3525457502 259 seiten paperback

[interpersonelle probleme und psychosoziales funktionsniveau im](#) - Jul 09 2022

web damit die dauer der unbehandelten psychose sowie die behandlungsqualität lambert naber 2009 in den letzten jahrzehnten sind daher psychotherapeutische und psychosoziale behandlungsansätze der schizophrenie in den fokus klinischer praxis und versorgungsforschung getreten riedel heller gühne weinmann becker 2012

*conflict çatışma psikoloji sözlüğü* - Sep 11 2022

web conflict çatışma biri diğerini dışarıda bırakan birbirine zıt olan olay davranış istek tutum duygu ve benzerlerinin oluşturduğu durum terim psikolojinin farklı alanlarında farklı anlamlara gelir 1 psikoanalitik kuramda çatışma içgüdüler arasında ya da psişenin ögeleri İd ego ve sÜperego gibi

**zusammenhang zwischen struktur und konflikt psy dak** - Feb 04 2022

web dem verhältnis zwischen struktur und konflikt in der psychoanalyse bzw der psychodynamischen psychotherapie diese

spannende frage hat durch das aufkommen der strukturbezogenen psychotherapie nach rudolf an weiterer relevanz gewonnen

*psychose wikipedia* - May 19 2023

web psychose ist ein grundbegriff in der psychiatrie der früher für alle arten von psychischen erkrankungen stand 1 heute bezeichnet der begriff einen unscharf definierten symptomenkomplex gekennzeichnet durch 2 realitätsverlust oder ich störungen

univ prof dr med stavros mentzos psychiater und - May 07 2022

web mentzos s hsg 1992 psychose und konflikt vandenhoek ruprecht göttingen mentzos s 1991 psychodynamische modelle in der psychiatrie vandenhoek ruprecht göttingen mentzos s hsg 1984 angstneurose psychodynamische und psychotherapeutische aspekte fischer frankfurt am main

**psychose und konflikt zur theorie und praxis der analytischen** - Oct 12 2022

web worldcat org entity work id 897446773 psychose und konflikt zur theorie und praxis der analytischen psychotherapie psychotischer störungen

**psychose und konflikt zur theorie und praxis der analytischen** - Jan 15 2023

web psychose und konflikt zur theorie und praxis der analytischen psychotherapie psychotischer sto rungen worldcat org

**psychose und konflikt zur theorie und praxis der analytischen** - Aug 10 2022

web psychose und konflikt zur theorie und praxis der analytischen psychotherapie psychotischer störungen finden sie alle bücher von mentzos stavros hg bei der büchersuchmaschine eurobuch com können sie antiquarische und neubücher vergleichen und sofort zum bestpreis bestellen

**psychose und konflikt zur theorie und praxis der analytischen** - Jul 21 2023

web psychose und konflikt zur theorie und praxis der analytischen psychotherapie psychotischer störungen mentzos stavros isbn 9783525457504 kostenloser versand für alle bücher mit versand und verkauf duch amazon

*psychodynamische zusammenhänge zwischen psychose und* - Aug 22 2023

web aug 9 2012 was nicht hoch genug eingeschätzt werden kann ist der versuch von freud eine verbindung zwischen der psychose und dem bisherigen leben schreibers herzustellen ein zentrales methodisches problem mit dem freud konfrontiert war betrifft den unvollständigen zugang zur lebensgeschichte schreibers

*konfliktpsychologie wikipedia* - Jun 08 2022

web die konfliktpsychologie richtet den blick auf psychische auswirkungen und ursachen von konflikt feldern im weiteren geht es ihr um psychologische methoden von konfliktvermeidung und bewältigung es bestehen daher deutliche Überschneidungen mit der friedenspsychologie inhaltsverzeichnis

*konflikte definition beispiele innere soziale konflikte* - Mar 05 2022

web konflikte definition der begriff konflikt hat seinen ursprung im lateinischen wort conflagere Übersetzt bedeutet das so viel wie zusammenschlagen oder zusammenprallen die wissenschaftliche definition lautet wie folgt ein konflikt ist ein prozess der auseinandersetzung

**schizophrene psychosen und schizophrenie spektrum der** - Jun 20 2023

web sep 9 2014 die erste psychose tritt oft in der phase der ablösung vom elternhaus bei konflikten im ersten job oder im privatleben auf und der darauf folgende rückzug führt häufig zum nächsten problem einsamkeit

stavros mentzos wikipedia - Mar 17 2023

web psychose und konflikt zur theorie und praxis der analytischen psychotherapie psychotischer störungen vandenhoeck ruprecht göttingen 1992 isbn 3 525 45750 2

*theorie und therapie researchgate* - Dec 14 2022

web psychose und konflikt aktuelle weiterentwicklungen der opd aktuell wird intensiv an der revision der vier achsen behandlungsvoraussetzungen bezie