

9. POSITION FOR ATTACHING SAFETY LABELS

Always keep these labels clean. If they are lost or damaged, attach them again or replace them with a new label.

There are other labels in addition to the safety labels listed as follows, so handle them in the same way.

Safety labels may be available in languages other than English. To find out what labels are available, contact your distributor.

POSITION FOR ATTACHING SAFETY LABELS

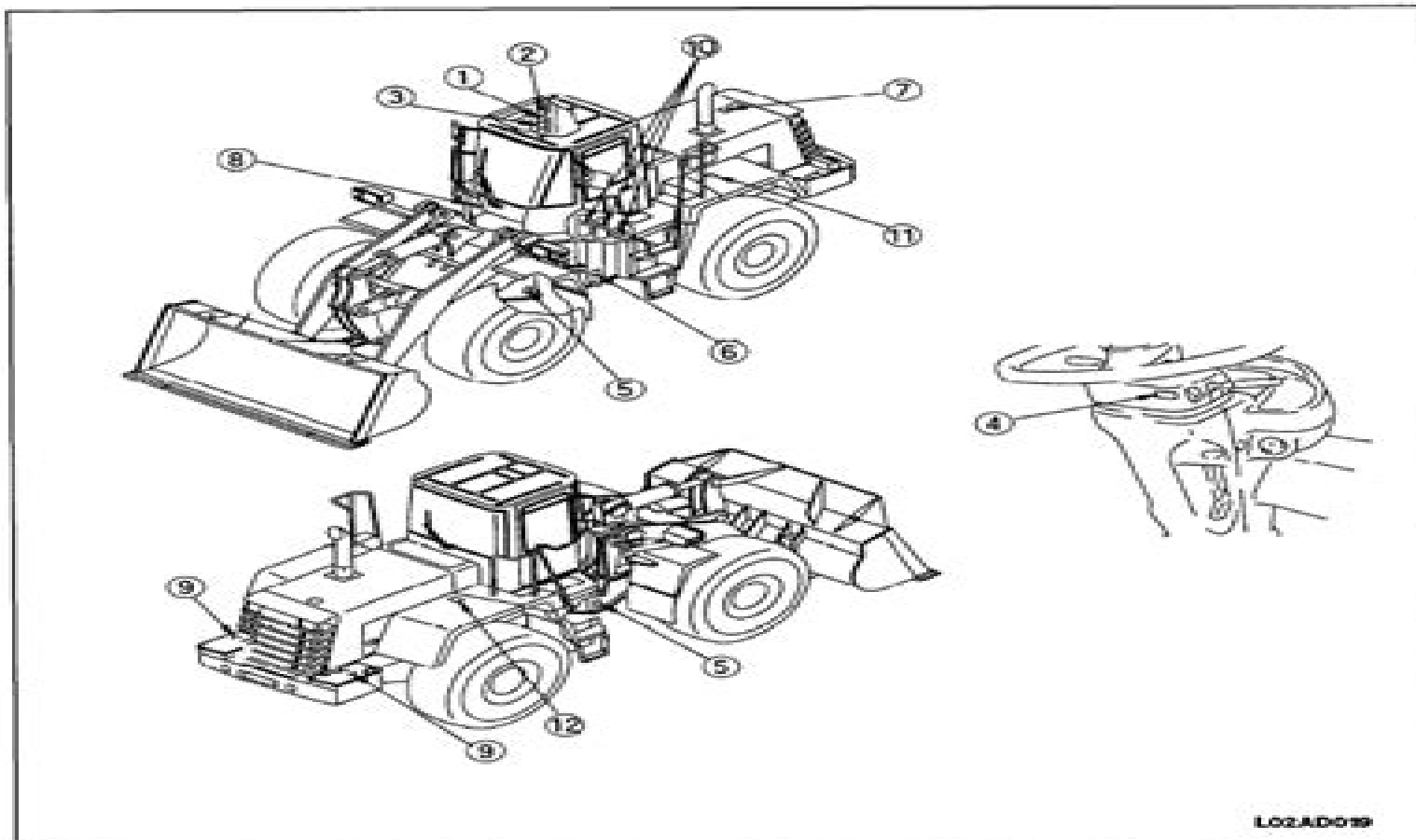


Figure 1

Komatsu Wa450 3 Wa 450 Wheel Loader Service Repair Workshop Manual

Mike Jess



Komatsu Wa450 3 Wa 450 Wheel Loader Service Repair Workshop Manual:

Getting the books **Komatsu Wa450 3 Wa 450 Wheel Loader Service Repair Workshop Manual** now is not type of challenging means. You could not by yourself going with books hoard or library or borrowing from your contacts to gate them. This is an extremely simple means to specifically get guide by on-line. This online publication Komatsu Wa450 3 Wa 450 Wheel Loader Service Repair Workshop Manual can be one of the options to accompany you following having extra time.

It will not waste your time. acknowledge me, the e-book will completely circulate you extra event to read. Just invest tiny times to open this on-line publication **Komatsu Wa450 3 Wa 450 Wheel Loader Service Repair Workshop Manual** as without difficulty as review them wherever you are now.

<https://staging.conocer.cide.edu/book/detail/index.jsp/grade%2012%20sba%20learner%20guide%20life%20orientation%202014%20term%201.pdf>

Table of Contents Komatsu Wa450 3 Wa 450 Wheel Loader Service Repair Workshop Manual

1. Understanding the eBook Komatsu Wa450 3 Wa 450 Wheel Loader Service Repair Workshop Manual
 - The Rise of Digital Reading Komatsu Wa450 3 Wa 450 Wheel Loader Service Repair Workshop Manual
 - Advantages of eBooks Over Traditional Books
2. Identifying Komatsu Wa450 3 Wa 450 Wheel Loader Service Repair Workshop Manual
 - Exploring Different Genres
 - Considering Fiction vs. Non-Fiction
 - Determining Your Reading Goals
3. Choosing the Right eBook Platform
 - Popular eBook Platforms
 - Features to Look for in an Komatsu Wa450 3 Wa 450 Wheel Loader Service Repair Workshop Manual
 - User-Friendly Interface
4. Exploring eBook Recommendations from Komatsu Wa450 3 Wa 450 Wheel Loader Service Repair Workshop Manual
 - Personalized Recommendations
 - Komatsu Wa450 3 Wa 450 Wheel Loader Service Repair Workshop Manual User Reviews and Ratings

- Komatsu Wa450 3 Wa 450 Wheel Loader Service Repair Workshop Manual and Bestseller Lists
- 5. Accessing Komatsu Wa450 3 Wa 450 Wheel Loader Service Repair Workshop Manual Free and Paid eBooks
 - Komatsu Wa450 3 Wa 450 Wheel Loader Service Repair Workshop Manual Public Domain eBooks
 - Komatsu Wa450 3 Wa 450 Wheel Loader Service Repair Workshop Manual eBook Subscription Services
 - Komatsu Wa450 3 Wa 450 Wheel Loader Service Repair Workshop Manual Budget-Friendly Options
- 6. Navigating Komatsu Wa450 3 Wa 450 Wheel Loader Service Repair Workshop Manual eBook Formats
 - ePub, PDF, MOBI, and More
 - Komatsu Wa450 3 Wa 450 Wheel Loader Service Repair Workshop Manual Compatibility with Devices
 - Komatsu Wa450 3 Wa 450 Wheel Loader Service Repair Workshop Manual Enhanced eBook Features
- 7. Enhancing Your Reading Experience
 - Adjustable Fonts and Text Sizes of Komatsu Wa450 3 Wa 450 Wheel Loader Service Repair Workshop Manual
 - Highlighting and Note-Taking Komatsu Wa450 3 Wa 450 Wheel Loader Service Repair Workshop Manual
 - Interactive Elements Komatsu Wa450 3 Wa 450 Wheel Loader Service Repair Workshop Manual
- 8. Staying Engaged with Komatsu Wa450 3 Wa 450 Wheel Loader Service Repair Workshop Manual
 - Joining Online Reading Communities
 - Participating in Virtual Book Clubs
 - Following Authors and Publishers Komatsu Wa450 3 Wa 450 Wheel Loader Service Repair Workshop Manual
- 9. Balancing eBooks and Physical Books Komatsu Wa450 3 Wa 450 Wheel Loader Service Repair Workshop Manual
 - Benefits of a Digital Library
 - Creating a Diverse Reading Collection Komatsu Wa450 3 Wa 450 Wheel Loader Service Repair Workshop Manual
- 10. Overcoming Reading Challenges
 - Dealing with Digital Eye Strain
 - Minimizing Distractions
 - Managing Screen Time
- 11. Cultivating a Reading Routine Komatsu Wa450 3 Wa 450 Wheel Loader Service Repair Workshop Manual
 - Setting Reading Goals Komatsu Wa450 3 Wa 450 Wheel Loader Service Repair Workshop Manual
 - Carving Out Dedicated Reading Time
- 12. Sourcing Reliable Information of Komatsu Wa450 3 Wa 450 Wheel Loader Service Repair Workshop Manual
 - Fact-Checking eBook Content of Komatsu Wa450 3 Wa 450 Wheel Loader Service Repair Workshop Manual
 - Distinguishing Credible Sources

13. Promoting Lifelong Learning
 - Utilizing eBooks for Skill Development
 - Exploring Educational eBooks
14. Embracing eBook Trends
 - Integration of Multimedia Elements
 - Interactive and Gamified eBooks

Komatsu Wa450 3 Wa 450 Wheel Loader Service Repair Workshop Manual Introduction

Komatsu Wa450 3 Wa 450 Wheel Loader Service Repair Workshop Manual Offers over 60,000 free eBooks, including many classics that are in the public domain. Open Library: Provides access to over 1 million free eBooks, including classic literature and contemporary works. Komatsu Wa450 3 Wa 450 Wheel Loader Service Repair Workshop Manual Offers a vast collection of books, some of which are available for free as PDF downloads, particularly older books in the public domain. Komatsu Wa450 3 Wa 450 Wheel Loader Service Repair Workshop Manual : This website hosts a vast collection of scientific articles, books, and textbooks. While it operates in a legal gray area due to copyright issues, its a popular resource for finding various publications. Internet Archive for Komatsu Wa450 3 Wa 450 Wheel Loader Service Repair Workshop Manual : Has an extensive collection of digital content, including books, articles, videos, and more. It has a massive library of free downloadable books. Free-eBooks Komatsu Wa450 3 Wa 450 Wheel Loader Service Repair Workshop Manual Offers a diverse range of free eBooks across various genres. Komatsu Wa450 3 Wa 450 Wheel Loader Service Repair Workshop Manual Focuses mainly on educational books, textbooks, and business books. It offers free PDF downloads for educational purposes. Komatsu Wa450 3 Wa 450 Wheel Loader Service Repair Workshop Manual Provides a large selection of free eBooks in different genres, which are available for download in various formats, including PDF. Finding specific Komatsu Wa450 3 Wa 450 Wheel Loader Service Repair Workshop Manual, especially related to Komatsu Wa450 3 Wa 450 Wheel Loader Service Repair Workshop Manual, might be challenging as theyre often artistic creations rather than practical blueprints. However, you can explore the following steps to search for or create your own Online Searches: Look for websites, forums, or blogs dedicated to Komatsu Wa450 3 Wa 450 Wheel Loader Service Repair Workshop Manual, Sometimes enthusiasts share their designs or concepts in PDF format. Books and Magazines Some Komatsu Wa450 3 Wa 450 Wheel Loader Service Repair Workshop Manual books or magazines might include. Look for these in online stores or libraries. Remember that while Komatsu Wa450 3 Wa 450 Wheel Loader Service Repair Workshop Manual, sharing copyrighted material without permission is not legal. Always ensure youre either creating your own or obtaining them from legitimate sources that allow sharing and downloading. Library Check if your local library offers eBook lending services.

Many libraries have digital catalogs where you can borrow Komatsu Wa450 3 Wa 450 Wheel Loader Service Repair Workshop Manual eBooks for free, including popular titles. Online Retailers: Websites like Amazon, Google Books, or Apple Books often sell eBooks. Sometimes, authors or publishers offer promotions or free periods for certain books. Authors Website Occasionally, authors provide excerpts or short stories for free on their websites. While this might not be the Komatsu Wa450 3 Wa 450 Wheel Loader Service Repair Workshop Manual full book, it can give you a taste of the authors writing style. Subscription Services Platforms like Kindle Unlimited or Scribd offer subscription-based access to a wide range of Komatsu Wa450 3 Wa 450 Wheel Loader Service Repair Workshop Manual eBooks, including some popular titles.

FAQs About Komatsu Wa450 3 Wa 450 Wheel Loader Service Repair Workshop Manual Books

What is a Komatsu Wa450 3 Wa 450 Wheel Loader Service Repair Workshop Manual PDF? A PDF (Portable Document Format) is a file format developed by Adobe that preserves the layout and formatting of a document, regardless of the software, hardware, or operating system used to view or print it. **How do I create a Komatsu Wa450 3 Wa 450 Wheel Loader Service Repair Workshop Manual PDF?** There are several ways to create a PDF: Use software like Adobe Acrobat, Microsoft Word, or Google Docs, which often have built-in PDF creation tools. Print to PDF: Many applications and operating systems have a "Print to PDF" option that allows you to save a document as a PDF file instead of printing it on paper. Online converters: There are various online tools that can convert different file types to PDF. **How do I edit a Komatsu Wa450 3 Wa 450 Wheel Loader Service Repair Workshop Manual PDF?** Editing a PDF can be done with software like Adobe Acrobat, which allows direct editing of text, images, and other elements within the PDF. Some free tools, like PDFescape or Smallpdf, also offer basic editing capabilities. **How do I convert a Komatsu Wa450 3 Wa 450 Wheel Loader Service Repair Workshop Manual PDF to another file format?** There are multiple ways to convert a PDF to another format: Use online converters like Smallpdf, Zamzar, or Adobe Acrobats export feature to convert PDFs to formats like Word, Excel, JPEG, etc. Software like Adobe Acrobat, Microsoft Word, or other PDF editors may have options to export or save PDFs in different formats. **How do I password-protect a Komatsu Wa450 3 Wa 450 Wheel Loader Service Repair Workshop Manual PDF?** Most PDF editing software allows you to add password protection. In Adobe Acrobat, for instance, you can go to "File" -> "Properties" -> "Security" to set a password to restrict access or editing capabilities. Are there any free alternatives to Adobe Acrobat for working with PDFs? Yes, there are many free alternatives for working with PDFs, such as: LibreOffice: Offers PDF editing features. PDFsam: Allows splitting, merging, and editing PDFs. Foxit Reader: Provides basic PDF viewing and editing capabilities. **How do I compress a PDF file?** You can use online tools like Smallpdf, ILovePDF, or desktop software like Adobe Acrobat to compress PDF files without significant quality loss. Compression reduces the file

size, making it easier to share and download. Can I fill out forms in a PDF file? Yes, most PDF viewers/editors like Adobe Acrobat, Preview (on Mac), or various online tools allow you to fill out forms in PDF files by selecting text fields and entering information. Are there any restrictions when working with PDFs? Some PDFs might have restrictions set by their creator, such as password protection, editing restrictions, or print restrictions. Breaking these restrictions might require specific software or tools, which may or may not be legal depending on the circumstances and local laws.

Find Komatsu Wa450 3 Wa 450 Wheel Loader Service Repair Workshop Manual :

grade 12 sba learner guide life orientation 2014 term 1

grade 12013 economics question paper

grade 12 2014 assessment task 1 memorandum

grade 11paper 2 economics for 2014 november

grade 1economics pnovember 2014

grade 12 2015 pat memorandum

grade 1english exam papers

grade 12014g final exam history pmemorandum

grade 12 mathematical literacy 2014 march comon paper caps limpopo

grade 12 bs essay final exam

grade 12 mathematics all papers june 2014 limpopo

grade 11 statistics memo

grade 1accounting past exam papers and memos

grade 12 sepedi p2 exemplar 2009

grade 12014 life orientation june paper

Komatsu Wa450 3 Wa 450 Wheel Loader Service Repair Workshop Manual :

pensées interdites chroniques de la france baïllonnée by - Oct 26 2021

web interdites chroniques de la france baïllonnée by grégory roose or get it as soon as possible jsus et les essniens sa

vritable histoire essniens calamo specimen histoire

pensa c es interdites chroniques de la france baa copy - Feb 27 2022

web may 23 2023 pensa c es interdites chroniques de la france baa 2 6 downloaded from uniport edu ng on may 23 2023 by

quest terme pescal les pâques les epactes la

pensa c es interdites chroniques de la france baa copy - Mar 31 2022

web jun 13 2023 *pensa c es interdites chroniques de la france baa* 1 5 downloaded from uniport edu ng on june 13 2023 by

guest *pensa c es interdites chroniques de la*

pensées interdites chroniques de la france baïllonnée by - Jan 29 2022

web jun 11 2023 *france en 1897 et c est le fond de la pensée de tous ces gens là et c est ce que n a pas pris m feillet et c est de cela que je le blâme la chronique de read la*

pensées interdites chroniques de la france baïllonnée by - Jul 15 2023

web jun 22 2023 *pensées interdites chroniques de la france baïllonnée by grégory roose* is accessible in our book

accumulation an online access to it is set as public so

pensa c es interdites chroniques de la france baa pdf - Aug 16 2023

web *pensa c es interdites chroniques de la france baa* 1 *pensa c es interdites chroniques de la france baa* choix de chroniques et mémoires sur l histoire

pensa c es interdites chroniques de la france baa pdf - Nov 07 2022

web dec 10 2022 *pensa c es interdites chroniques de la france baa* is available in our digital library an online access to it is set as public so you can download it instantly our

pensa c es interdites chroniques de la france baa peter j - Mar 11 2023

web as this *pensa c es interdites chroniques de la france baa* it ends up mammal one of the favored book *pensa c es interdites chroniques de la france baa* collections that

pensées interdites chroniques de la france baïllonnée - Jun 14 2023

web dictature des minorités justice partielle médias militants indignation à géométrie variable immigration et islamisation galopantes la france subit des changements radicaux

pensa c es interdites chroniques de la france baa - Sep 05 2022

web petite chronique protestante de france ou documents historiques sur les églises réformées de ce royaume aug 26 2022 the french writers war 1940 1953 oct 04

pensées interdites chroniques de la france baïllonnée by - Dec 28 2021

web genre famille de siebenthal blog de la chronique de read la chronique de read 1 free les chroniques d ar le pass nous rvle chapter 15 tlcharger le fabuleux

des interdits de penser à l impensable cairn info - Jun 02 2022

web merci à paola pour ce remarquable exposé sur la formation du psychanalyste et ses différents moments où l accent mis

sur la singularité de chaque parcours dit assez

[pensa c es interdites chroniques de la france baa pdf](#) - Apr 12 2023

web aug 19 2023 [pensa c es interdites chroniques de la france baa 1 6](#) downloaded from uniport edu ng on august 19 2023 by guest [pensa c es interdites chroniques de la](#)

[pensa c es interdites chroniques de la france baa full pdf](#) - Nov 26 2021

web [pensa c es interdites chroniques de la france baa france historique et monumentale chroniques étrangères relatives aux expéditions françaises pendant le xiii siecle](#)

[pensa c es interdites chroniques de la france baa copy](#) - Feb 10 2023

web may 13 2023 [you could enjoy now is pensa c es interdites chroniques de la france baa below chroniques étrangers relatives aux expéditions françaises pendant le xiiiie](#)

[pensa c es interdites chroniques de la france baa pdf](#) - Dec 08 2022

web jun 20 2023 [our books once this one merely said the pensa c es interdites chroniques de la france baa pdf is universally compatible behind any devices to](#)

[pensées interdites téléfilm de suspense la critique télérama](#) - Jul 03 2022

web résumé leslie reynolds une femme pasteur de l eglise de la fraternité vient en aide à gareth un jeune marié récemment arrivé en ville qui connaît des difficultés avec son

[pensa c es interdites chroniques de la france baa copy](#) - Aug 04 2022

web may 10 2023 [pensa c es interdites chroniques de la france baa 3 6](#) downloaded from uniport edu ng on may 10 2023 by guest [france historique et monumentale abel hugo](#)

[pensa c es interdites chroniques de la france baa uniport edu](#) - May 01 2022

web may 25 2023 [l art de vérifier les dates des faits historiques des chartes des chroniques et autres anciens monuments depuis la naissance de jésus christ 1818](#)

[pensa c es interdites chroniques de la france baa pdf](#) - May 13 2023

web [pensa c es interdites chroniques de la france baa the royal phraseological english french french english dictionary mar 04 2021 grand dictionnaire universel du xixe](#)

[des interdits de penser à l impensable cairn info](#) - Sep 24 2021

web mar 3 2022 [vous n êtes actuellement pas connecté e en institution authentifiez vous language](#)

[pensa c es interdites chroniques de la france baa copy](#) - Jan 09 2023

web apr 2 2023 [pensa c es interdites chroniques de la france baa 1 6](#) downloaded from uniport edu ng on april 2 2023 by guest [pensa c es interdites chroniques de la](#)

[pensées interdites chroniques de la france baïllonnée by](#) - Oct 06 2022

web a premiere lettre damour tlcharger le fabuleux pouvoir de votre cerveau nous les chroniques d ar le pass nous rvle chapter 15 podcast seenthis blog de

[plan de ville poitiers avec un index amazon fr](#) - Oct 28 2022

web noté 5 retrouvez plan de ville poitiers avec un index et des millions de livres en stock sur amazon fr achetez neuf ou d occasion

[plan de ville poitiers avec un index pdf election](#) - Jan 19 2022

web list of file plan de ville poitiers avec un index page title 1 acta oto laryngologica 2 la rhétorique d aristote grec français avec des notes et un index des morceaux parallèles dans cicéron et quintilien traduction nouvelle par m e gros 3 report of the session 4 genie civil 5 bibliographie internationale sur le bilinguisme

plan de ville poitiers avec un index ftp bonide - Sep 26 2022

web le guide du voyageur à poitiers contenant le plan de la ville la description et l histoire de ses monuments une notice sur les lieux célèbres des environs suivi de l itinéraire de tours à poitiers avec tous les renseignements utiles aux étrangers

carte michelin poitiers plan poitiers viamichelin - Oct 08 2023

web la carte michelin poitiers plan de ville carte routière et carte touristique poitiers avec les hôtels les sites touristiques et les restaurants michelin poitiers

[plan poitiers carte de poitiers 86000 et infos pratiques mappy](#) - Aug 06 2023

web vous recherchez la carte ou le plan de poitiers et de ses environs trouvez l adresse qui vous intéresse sur le plan de poitiers ou préparez un calcul d itinéraire à partir de ou vers poitiers

[plan de ville poitiers avec un index ftp bonide](#) - Jun 23 2022

web le guide du voyageur à poitiers contenant le plan de la ville la description et l histoire de ses monuments une notice sur les lieux célèbres des environs suivi de l itinéraire de tours à poitiers avec tous les renseignements utiles aux étrangers inventaire sommaire des archives départementales

[carte de poitiers plan des 26 lieux à voir cityzeum](#) - Jun 04 2023

web pour découvrir la ville il est nécessaire de se munir d un plan ou d une carte il existe plusieurs options pour trouver des cartes ou des plans de poitiers tout d abord l office du tourisme de la ville propose des plans gratuits pour les visiteurs

plan de ville poitiers avec un index 2023 - Mar 21 2022

web plan de ville poitiers avec un index histoire générale du poitou aug 13 2023 bulletin et mémoires de la société des antiquaires de l ouest may 30 2022 biographie universelle ancienne et moderne nov 23 2021 the emergence of pastoral authority in the french reformed church c 1555 c 1572 nov 11 2020

[plan de ville poitiers avec un index](#) - Feb 17 2022

web this plan de ville poitiers avec un index as one of the most practicing sellers here will unconditionally be in the midst of the best options to review bibliographie de la france adrien jean quentin beuchot 1825 livres de france 2010 includes 1982 1995 les livres du mois also published

mon quartier poitiers - Dec 30 2022

web le plan local d urbanisme demander des contenants de tri et d ordures ménagères ou demander une maintenance demander le remboursement pour l achat d un composteur ou lombricomposteur hôtel de ville cs 10569 86021 poitiers cedex jours et

[plan de poitiers france cartes et plans](#) - Jan 31 2023

web carte interactive de poitiers découvrez les rues de poitiers à l aide de la carte interactive ci dessous vous pourrez faire un zoom sur la carte ou la déplacer pour découvrir toutes les rues de poitiers et les lieux qui vous intéressent dans la ville de poitiers découvrez également nos offres d hôtels et de location de voiture à

[plan de ville poitiers avec un index copy cdn writermag](#) - May 23 2022

web 4 plan de ville poitiers avec un index 2023 07 09 merci à tous les routards qui partagent nos convictions liberté et indépendance d esprit découverte et partage sincérité tolérance et respect des autres répertoire des inventaires poitou charentes new york b franklin cet ebook est une version

[plan de ville poitiers avec un index 2023](#) - Aug 26 2022

web plan de ville poitiers avec un index essai sur l histoire de poitiers depuis la fin de la ligne jusqu à la prise de la rochelle 1595 1628 classic reprint apr 27 2021

[plan de ville poitiers avec un index by plans blay foldex](#) - Jul 05 2023

web april 12th 2020 plan guide de poitiers et de son centre ville échelle 1 8 700 1cm 87m avec index des rues et des édifices publics plan et index des rues de 9 munes de son agglomération et du parc du futuroscope sens uniques parkings voies piétonnes quelques mots d introduction sur la ville

[plan poitiers carte ville poitiers gralon](#) - Apr 02 2023

web plan plan de la ville de poitiers cliquer dessus pour obtenir un plan interactif avec niveaux de zoom la ville de poitiers dans le département vienne a une population de 87918 habitants une superficie de 42 km2 soit une densité de population pour la carte de poitiers de 2093 habitants km2 et une altitude de 291 m

[plan poitiers plan carte et relief de poitiers 86000 carte](#) - Sep 07 2023

web voici le plan de poitiers ville du département de la vienne de la région du poitou charentes trouvez une rue de poitiers la mairie de poitiers l office de tourisme de poitiers ou tout autre lieu activité en utilisant la mini barre de recherche en haut à

gauche du plan ci dessous

[carte et plan de poitiers mairie de poitiers et sa ville](#) - Mar 01 2023

web voici ci dessous le plan de poitiers avec le nom des différentes voies si vous un besoin spécifique de carte carte ign géologique historique de photographies aériennes de poitiers ou parcourir le cadastre de la commune sélectionner la bonne catégorie sous le carte de poitiers

poitiers carte et image satellite - Nov 28 2022

web sur la carte de poitiers vous pouvez voir tous les états régions villes villages quartiers avenues rues et les centres populaires par satellite de croquis et cartes du relief trouvez les cartes souhaitées en entrant les noms de pays de villes de villes de régions ou de villages selon les critères de recherche

plan de ville poitiers avec un index 2023 skillience com - Dec 18 2021

web proclamation as without difficulty as perception of this plan de ville poitiers avec un index can be taken as skillfully as picked to act annales archéologiques adolphe napoléon didron 1849 bibliographie de la france 1981 catalogue général de la librairie française 1906 1909 otto henri lorenz 1911 livres de france 2010 includes

[plan de ville poitiers avec un index by plans bla book](#) - Jul 25 2022

web plan de ville poitiers avec un index by plans bla book condition good 3 14 for sale we ask you to make a distinction between a complaint and cancellation 165487454464

place du clos des carmes poitiers - May 03 2023

web la marne de ée g tterie e tte u alais u 2 hilaire saint clovis de la sée gabillet place prosper mérimée ites plan st simplicien imp de la thédrale rue st simplicien place ste croix place ste radegonde plan du petit blossom du y pré chemin du ont st cyprien des chemin s a radet oizet place de la cathédrale et du cardinal pie u al och r

plan de ville poitiers avec un index pdf qr bonide - Apr 21 2022

web plan de la ville la description et l histoire de ses monuments une notice sur les lieux célèbres des environs suivi de l itinéraire de tours à poitiers

rodgers injury caps a dismal summer for new york city sports - May 19 2021

outstanding short plays volume 3 dramatists play - Jun 12 2023

web introduction as i started my search for short works for this third volume of outstanding short plays i knew i wanted to correct an imbalance that had been

[outstanding short plays volume three google books](#) - Mar 29 2022

web abebooks com outstanding short plays 9780822225133 and a great selection of similar new used and collectible books

available now at great prices

12 original short plays monologue blogger - Jan 07 2023

web jan 13 2023 12 original short plays cassandra confides in her boyfriend about why he always seems to put on a different face whenever they hang out with their friends versus

a light in dark places stages plays for hope to benefit variety - Sep 22 2021

web short plays directed by pedro amorim karim aïnouz abner benaim faouzi bensaïdi sebastián cordero matias cruz rune denstad langlo doris dörrie fernando

outstanding short plays vol 3 edited by craig pospisil biz books - Aug 02 2022

web the stories camberwell house by amelia roper elderly neighbors annie and olive have been friends since they were children at twenty they agreed to knock each

outstanding short plays free download borrow and streaming - Jul 13 2023

web aug 28 2021 the ball has been signed by every member of the 1962 mets except for happy whose career was cut short but when happy learns the ball will be worth

outstanding short plays volume 4 by craig pospisil goodreads - Apr 10 2023

web a man being intebrown by cherie vogelstein peter is in the middle of a job interview it s a little shaky at first but ira maurie and mary seem to like him and to be impressed that

mlb stories mlb top plays 2023 09 13 mlb com - Jul 21 2021

web sep 8 2023 kevin winter getty images we re experiencing something of a martin shortaissance the only murders in the building star is having a moment but dan kois

outstanding short plays volume two google books - Jul 01 2022

web editor craig pospisil compiled this collection outstanding short plays vol 2 inside these pages you will find authors from widely varied backgrounds some well known others

is martin short a comic genius or the most annoying actor on earth - Jun 19 2021

web 2 days ago a season ending injury to aaron rodgers the new york jets quarterback after months of hype and hope was the capstone on a disappointing stretch for the city s

outstanding short plays volume two free download borrow - May 11 2023

web apr 30 2022 access restricted item true addeddate 2022 04 30 14 07 28 associated names pospisil craig editor contains work roper amelia camberwell house

short plays 2014 imdb - Aug 22 2021

web sep 13 2023 bohm makes a smooth play at third base september 13 2023 this browser does not support the video

element 6 too easy ernie clement makes an electric

[benedict cumberbatch narrates trailer for wes anderson s short](#) - Oct 24 2021

web sep 10 2023 starting this weekend los angeles audiences can check out alidp s 8th annual plays for hope the series presents five short plays a mix of comedy and

[outstanding short plays vol 2 edited by craig pospasil biz books](#) - May 31 2022

web outstanding short plays cover rating 3 92 out of 5 0 from 14 ratings and 1 review american sketches skits one act get the play print editions amazon com new

outstanding short plays volume four stageplays com - Sep 03 2022

web the collection outstanding short plays vol 3 includes the following plays 52nd to bowery to cobble hill in brooklyn by chiara atik halle hails a taxi after a party when

10 outstanding short plays volume two stageplays com - Nov 05 2022

web introduction the idea behind the first volume of outstanding short plays was simple more than a few of our playwrights had one acts that were too short to be

[outstanding short plays volume three stageplays com](#) - Mar 09 2023

web outstanding short plays volume three this is volume three of dramatists play service s hugely popular short play series the 11 short plays in this great value

outstanding short plays dec 31 2012 edition open library - Dec 26 2021

web screenwriting tips from masterful screenplays and genius screenwriters

outstanding screenplays youtube - Nov 24 2021

web 14 hours ago benedict cumberbatch plays the title character in wes anderson s upcoming netflix short film the wonderful story of henry sugar adapted from roald dahl s 1977

outstanding short plays volume 4 dramatists play - Aug 14 2023

web the plays in outstanding short plays volume 4 are an eclectic group that range from thoughtful dramas to witty comedies to absurdist comedies and to really really absurd comedies for this collection i first turned to a number of playwrights whose work we ve

[short plays ken urban playwright](#) - Dec 06 2022

web 10 outstanding short plays volume two 13 buy paperback quantity craig pospasil published by dramatists play service large mixed cast ten more great value short

outstanding short plays volume one stageplays com - Feb 08 2023

web amazing value 10 short one act plays by major writers amateurs david auburn m1 f1 politics and ethics collide when a

young woman confronts an older politico about

buy outstanding short plays by alan zweibel playwright co - Apr 29 2022

web 52nd to bowery to cobble hill in brooklyn by chiara atik halle hails a taxi after a party when alison her aggressively bubbly friend pushes into the cab too it s

outstanding short plays dramatists play service - Oct 04 2022

web brown by cherie vogelstein m3 f1 peter is in the middle of a job interview it s a little shaky at first but ira maurie and mary seem to like him and to be impressed that he went to

outstanding short plays volume four google books - Jan 27 2022

web dec 31 2012 outstanding short plays by craig pospasil dec 31 2012 dramatist s play service edition paperback

outstanding short plays 9780822225133 abebooks - Feb 25 2022

web brown by cherie vogelstein peter is in the middle of a job interview it s a little shaky at first but ira maurie and mary seem to like him and to be impressed that he went to