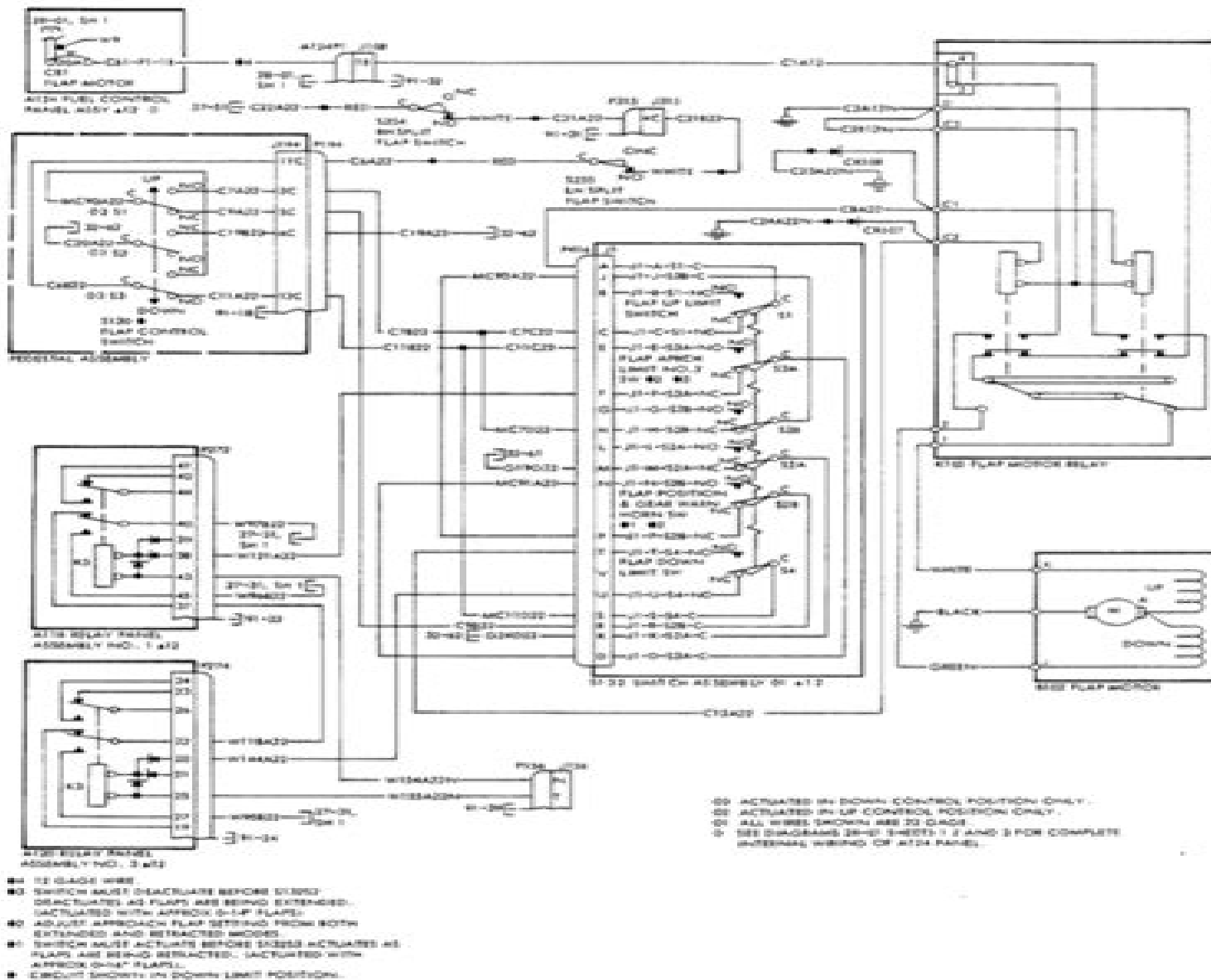


**BECHCRAFT
SUPER KING AIR 200 AND 200T
WIRING DIAGRAM MANUAL**



SEE PAGE 3 FOR EFFECTIVITY

King Air 200 Wiring Diagram Manual

Karin Nielsen-Saines



King Air 200 Wiring Diagram Manual:

If you ally infatuation such a referred **King Air 200 Wiring Diagram Manual** ebook that will manage to pay for you worth, acquire the very best seller from us currently from several preferred authors. If you want to comical books, lots of novels, tale, jokes, and more fictions collections are next launched, from best seller to one of the most current released.

You may not be perplexed to enjoy every books collections King Air 200 Wiring Diagram Manual that we will unquestionably offer. It is not on the subject of the costs. Its very nearly what you infatuation currently. This King Air 200 Wiring Diagram Manual, as one of the most involved sellers here will certainly be in the middle of the best options to review.

https://staging.conocer.cide.edu/files/scholarship/HomePages/kieso_intermediate_accounting_10th_edition_test_bank.pdf

Table of Contents King Air 200 Wiring Diagram Manual

1. Understanding the eBook King Air 200 Wiring Diagram Manual
 - The Rise of Digital Reading King Air 200 Wiring Diagram Manual
 - Advantages of eBooks Over Traditional Books
2. Identifying King Air 200 Wiring Diagram Manual
 - Exploring Different Genres
 - Considering Fiction vs. Non-Fiction
 - Determining Your Reading Goals
3. Choosing the Right eBook Platform
 - Popular eBook Platforms
 - Features to Look for in an King Air 200 Wiring Diagram Manual
 - User-Friendly Interface
4. Exploring eBook Recommendations from King Air 200 Wiring Diagram Manual
 - Personalized Recommendations
 - King Air 200 Wiring Diagram Manual User Reviews and Ratings
 - King Air 200 Wiring Diagram Manual and Bestseller Lists
5. Accessing King Air 200 Wiring Diagram Manual Free and Paid eBooks

- King Air 200 Wiring Diagram Manual Public Domain eBooks
 - King Air 200 Wiring Diagram Manual eBook Subscription Services
 - King Air 200 Wiring Diagram Manual Budget-Friendly Options
6. Navigating King Air 200 Wiring Diagram Manual eBook Formats
 - ePub, PDF, MOBI, and More
 - King Air 200 Wiring Diagram Manual Compatibility with Devices
 - King Air 200 Wiring Diagram Manual Enhanced eBook Features
 7. Enhancing Your Reading Experience
 - Adjustable Fonts and Text Sizes of King Air 200 Wiring Diagram Manual
 - Highlighting and Note-Taking King Air 200 Wiring Diagram Manual
 - Interactive Elements King Air 200 Wiring Diagram Manual
 8. Staying Engaged with King Air 200 Wiring Diagram Manual
 - Joining Online Reading Communities
 - Participating in Virtual Book Clubs
 - Following Authors and Publishers King Air 200 Wiring Diagram Manual
 9. Balancing eBooks and Physical Books King Air 200 Wiring Diagram Manual
 - Benefits of a Digital Library
 - Creating a Diverse Reading Collection King Air 200 Wiring Diagram Manual
 10. Overcoming Reading Challenges
 - Dealing with Digital Eye Strain
 - Minimizing Distractions
 - Managing Screen Time
 11. Cultivating a Reading Routine King Air 200 Wiring Diagram Manual
 - Setting Reading Goals King Air 200 Wiring Diagram Manual
 - Carving Out Dedicated Reading Time
 12. Sourcing Reliable Information of King Air 200 Wiring Diagram Manual
 - Fact-Checking eBook Content of King Air 200 Wiring Diagram Manual
 - Distinguishing Credible Sources
 13. Promoting Lifelong Learning
 - Utilizing eBooks for Skill Development

- Exploring Educational eBooks
14. Embracing eBook Trends
- Integration of Multimedia Elements
 - Interactive and Gamified eBooks

King Air 200 Wiring Diagram Manual Introduction

King Air 200 Wiring Diagram Manual Offers over 60,000 free eBooks, including many classics that are in the public domain. Open Library: Provides access to over 1 million free eBooks, including classic literature and contemporary works. King Air 200 Wiring Diagram Manual Offers a vast collection of books, some of which are available for free as PDF downloads, particularly older books in the public domain. King Air 200 Wiring Diagram Manual : This website hosts a vast collection of scientific articles, books, and textbooks. While it operates in a legal gray area due to copyright issues, its a popular resource for finding various publications. Internet Archive for King Air 200 Wiring Diagram Manual : Has an extensive collection of digital content, including books, articles, videos, and more. It has a massive library of free downloadable books. Free-eBooks King Air 200 Wiring Diagram Manual Offers a diverse range of free eBooks across various genres. King Air 200 Wiring Diagram Manual Focuses mainly on educational books, textbooks, and business books. It offers free PDF downloads for educational purposes. King Air 200 Wiring Diagram Manual Provides a large selection of free eBooks in different genres, which are available for download in various formats, including PDF. Finding specific King Air 200 Wiring Diagram Manual, especially related to King Air 200 Wiring Diagram Manual, might be challenging as theyre often artistic creations rather than practical blueprints. However, you can explore the following steps to search for or create your own Online Searches: Look for websites, forums, or blogs dedicated to King Air 200 Wiring Diagram Manual, Sometimes enthusiasts share their designs or concepts in PDF format. Books and Magazines Some King Air 200 Wiring Diagram Manual books or magazines might include. Look for these in online stores or libraries. Remember that while King Air 200 Wiring Diagram Manual, sharing copyrighted material without permission is not legal. Always ensure youre either creating your own or obtaining them from legitimate sources that allow sharing and downloading. Library Check if your local library offers eBook lending services. Many libraries have digital catalogs where you can borrow King Air 200 Wiring Diagram Manual eBooks for free, including popular titles. Online Retailers: Websites like Amazon, Google Books, or Apple Books often sell eBooks. Sometimes, authors or publishers offer promotions or free periods for certain books. Authors Website Occasionally, authors provide excerpts or short stories for free on their websites. While this might not be the King Air 200 Wiring Diagram Manual full book , it can give you a taste of the authors writing style. Subscription Services Platforms like Kindle Unlimited or Scribd offer subscription-based access to a wide range of King Air 200 Wiring Diagram Manual eBooks, including some popular titles.

FAQs About King Air 200 Wiring Diagram Manual Books

1. Where can I buy King Air 200 Wiring Diagram Manual books? Bookstores: Physical bookstores like Barnes & Noble, Waterstones, and independent local stores. Online Retailers: Amazon, Book Depository, and various online bookstores offer a wide range of books in physical and digital formats.
2. What are the different book formats available? Hardcover: Sturdy and durable, usually more expensive. Paperback: Cheaper, lighter, and more portable than hardcovers. E-books: Digital books available for e-readers like Kindle or software like Apple Books, Kindle, and Google Play Books.
3. How do I choose a King Air 200 Wiring Diagram Manual book to read? Genres: Consider the genre you enjoy (fiction, non-fiction, mystery, sci-fi, etc.). Recommendations: Ask friends, join book clubs, or explore online reviews and recommendations. Author: If you like a particular author, you might enjoy more of their work.
4. How do I take care of King Air 200 Wiring Diagram Manual books? Storage: Keep them away from direct sunlight and in a dry environment. Handling: Avoid folding pages, use bookmarks, and handle them with clean hands. Cleaning: Gently dust the covers and pages occasionally.
5. Can I borrow books without buying them? Public Libraries: Local libraries offer a wide range of books for borrowing. Book Swaps: Community book exchanges or online platforms where people exchange books.
6. How can I track my reading progress or manage my book collection? Book Tracking Apps: Goodreads, LibraryThing, and Book Catalogue are popular apps for tracking your reading progress and managing book collections. Spreadsheets: You can create your own spreadsheet to track books read, ratings, and other details.
7. What are King Air 200 Wiring Diagram Manual audiobooks, and where can I find them? Audiobooks: Audio recordings of books, perfect for listening while commuting or multitasking. Platforms: Audible, LibriVox, and Google Play Books offer a wide selection of audiobooks.
8. How do I support authors or the book industry? Buy Books: Purchase books from authors or independent bookstores. Reviews: Leave reviews on platforms like Goodreads or Amazon. Promotion: Share your favorite books on social media or recommend them to friends.
9. Are there book clubs or reading communities I can join? Local Clubs: Check for local book clubs in libraries or community centers. Online Communities: Platforms like Goodreads have virtual book clubs and discussion groups.
10. Can I read King Air 200 Wiring Diagram Manual books for free? Public Domain Books: Many classic books are available for free as they're in the public domain. Free E-books: Some websites offer free e-books legally, like Project Gutenberg or Open Library.

Find King Air 200 Wiring Diagram Manual :

kieso intermediate accounting 10th edition test bank

kioti backhoe subframe installation manual

~~*kildare folk tales folk tales united kingdom*~~

kinetico powerline water softener manual

kindergarten summer take home packet

kingdom hearts 2 strategy guide

kingdom box set books english edition

kia timing repair guide

kib system monitor manual

kids activities for solomon prays for wisdom

kioti dk 55 service manual

kids club welcome letter

kindergarten decodable word list

kinematics and dynamics of machines solution manual

kinze pt 6 parts manual

King Air 200 Wiring Diagram Manual :

3rd grade pearson worksheets printable worksheets - Oct 22 2021

envision math interactive homework workbook - Feb 06 2023

web grade 3 includes glossary and index at head of title scott foresman addison wesley domain number and operations in base ten topic 1 numeration topic 2 number

envision math workbook grade 3 printable - Jul 11 2023

web dec 4 2019 envision mathematics 2020 additional practice workbook grade 3 copyright 2020 book details book quality excellent book size 213 pages isbn 13

pearson success 3rd grade math workbook envision book - Apr 27 2022

web nelson education school mathematics k 8 mathematics 3 parent centre workbook answers workbook answers patterns in mathematics chapter 2

how to get pdf and download pearson success 3rd grade - Mar 27 2022

web this pearson success 3rd grade math workbook envision as one of the most functioning sellers here will agreed be accompanied by the best options to review

nelson education elementary mathematics mathematics 4 - Jan 25 2022

web 3rd grade pearson showing top 8 worksheets in the category 3rd grade pearson some of the worksheets displayed are trinity gese grade 3 work 1 mathematics grade

envision mathematics elementary math curriculum savvas - Jun 10 2023

web envision mathematics k 12 math curriculum kids see the math teachers see results envision our most effective math series is used in classrooms everywhere envision

envision maths 3rd grade worksheets lesson worksheets - Jul 31 2022

web pearson success 3rd grade math workbook envision pearson success 3rd grade math workbook envision 2 downloaded from forms asmedu org on 2019 04 03 by

envision math 2 0 3rd grade homeschool bundle pearson - Jun 29 2022

web read pdf pearson success 3rd grade math workbook envision comprehensive information about a program s alignment to the standards and other indicators of

envision mathematics 2020 additional practice workbook grade 3 - May 09 2023

web envision mathematics 2020 for grades k 5 envision is the first math series that combines problem based learning with visual learning students learn more about math

pearson success 3rd grade math workbook envision book - May 29 2022

web number one for math intervention for many students math isn t as easy as 1 2 3 envisionmath provides intervention opportunities during and after each lesson now it

math makes sense pearson wncp edition grade 3 answer key - Nov 22 2021

grade 3 envision math additional practice workbook 2020 - Mar 07 2023

web jan 1 2012 1 16 of 176 results for pearson envision math grade 3 results pearson texas envision math 2 0 grade 3 volume 2 topics 9 16 9780328767281

successmaker envisionmath pearson education - Feb 23 2022

web product details isbn 10 0321708881 isbn 13 978 0321708885 item weight 358 g best sellers rank 251 245 in books see top 100 in books customer reviews 3 7

envision mathematics k 12 math curriculum savvas - Apr 08 2023

web displaying 8 worksheets for envision maths 3rd grade worksheets are envision math 3rd grade workbook pearson success 3rd grade math workbook envision
pearson success 3rd grade math workbook envision frank bowe - Dec 24 2021

pearson envision grade 3 teaching resources tpt - Sep 01 2022

web pearson success 3rd grade math workbook envision pearson success 3rd grade math workbook envision book review unveiling the magic of language in a digital

envision math common core grade 3 archive org - Nov 03 2022

web showing 8 worksheets for envision maths 3rd grade worksheets are envision math 3rd grade workbook pearson success 3rd grade math workbook envision

envision mathematics 2020 for grades k 5 savvas - Aug 12 2023

web envision mathematics provides an easy and reliable way to uncover student needs and provide the right instructional content for every learner add the savvas math screener

envision maths 3rd grade worksheets teacher worksheets - Oct 02 2022

web grade 3 is full of opportunities for you to explain math concepts in different ways ensuring your child fully grasps the lesson category description for envision math 2017 ed

envision maths 3rd grade worksheets k12 workbook - Sep 13 2023

web worksheets are envision math 3rd grade workbook pearson success 3rd grade math workbook envision pearson success 3rd grade math workbook envision envision

amazon com pearson envision math grade 3 - Dec 04 2022

web assessments for grade 3 envision math program most topics have their own topic assessment and most also have 2 combined unit tests there is also a mid year and end

envision maths 3rd grade worksheets kiddy math - Jan 05 2023

web envision maths 3rd grade worksheets there are 8 printable worksheets for this topic worksheets are envision math 3rd grade workbook pearson succes

the vietnam war quiz britannica - Aug 03 2022

web answer at the end of world war ii in august 1945 ho chi minh and his vietnamese guerrilla forces seized much of northern vietnam including the city of hanoi ho then declared vietnam s independence and the formation of a provisional government which he had been named to lead

vietnam war vol 1 ep 4 flashcards quizlet - Jun 13 2023

web vietnam war vol 1 ep 4 what course of action did former diplomat george kennan recommend in his testimony before congress click the card to flip that the u s should withdraw from vietnam as it was not a vital national security interest click the card to flip

12 vietnam war quizzes questions answers trivia proprofs - Mar 30 2022

web sep 6 2023 challenge yourself compete with friends or use these quizzes as a learning tool to deepen your understanding of this complex conflict through our quizzes we hope to shed light on the human stories political dynamics and lessons learned from this tumultuous period so embark on a journey through the tumultuous history of the

veitnam war era section 4 quiz answers jetpack theaoi - Feb 09 2023

web veitnam war era section 4 quiz answers veitnam war era section 4 quiz answers excellent book is always being the best friend for spending little time in your office night time bus and read now vietnam war era section 1 quiz answers free ebooks in pdf format 1ma0 2h mark scheme 2014 10 3 circles form g 2nd babtist spring

veitnam war era section 4 quiz answers uniport edu - Dec 07 2022

web jun 10 2023 veitnam war era section 4 quiz answers 1 1 downloaded from uniport edu ng on june 10 2023 by guest veitnam war era section 4 quiz answers yeah reviewing a book veitnam war era section 4 quiz answers could mount up your near contacts listings this is just one of the solutions for you to be successful as

veitnam war era section 4 quiz answers copy uniport edu - Nov 06 2022

web mar 21 2023 veitnam war era section 4 quiz answers is available in our book collection an online access to it is set as public so you can get it instantly our books collection saves in multiple locations allowing you to get the most

veitnam war era section 4 quiz answers download only - Dec 27 2021

web veitnam war era section 4 quiz answers 2 32 downloaded from edocs utsa edu on november 25 2022 by guest the major battles get introduced to the seal teams and u s navy step into the shoes of those who fought in the war at home by organizing a protest find out how the veterans who fought in vietnam were treated differently

the vietnam war quiz howstuffworks - Jan 28 2022

web 8 how many people lost their lives during the vietnam war 3 million 6 million 12 million how many people showed up in washington d c to attend a massive anti war protest on november 15 1969 250 000 150 000 50 000

veitnam war era section 4 quiz answers download only - Jun 01 2022

web 1 veitnam war era section 4 quiz answers the civil war era apr 15 2022 there is an extraordinary range of material in this anthology from lincoln s gettysburg address to a contemporary account of a visit from the ku klux klan

veitnam war era section 4 quiz answers jetpack theaoi - Jan 08 2023

web browse and read veitnam war era section 4 quiz answers veitnam war era section 4 quiz answers excellent book is

always being the best friend for spending little time in your office night time bus and read and download vietnam war era section 1 quiz answers free ebooks in pdf format vhl central supersite answers probability

[mpp2012 ime uerj.br](#) - Apr 30 2022

web jun 21 2023 [veitnam war era section 4 quiz answers](#) veitnam war era section 4 quiz answers thats something that will lead you to comprehend even more in the zone of the earth wisdom some pla

[the vietnam war 1945 1975 quiz sparknotes](#) - Jul 02 2022

web test your knowledge on all of the vietnam war 1945 1975 perfect prep for the vietnam war 1945 1975 quizzes and tests you might have in school

veitnam war era section 4 quiz answers - May 12 2023

web veitnam war era section 4 quiz answers right here we have countless ebook veitnam war era section 4 quiz answers and collections to check out we additionally give variant types and in addition to type of the books to browse the suitable book fiction history novel scientific research as skillfully as various supplementary

veitnam war era section 4 quiz answers dev eequ.org - Oct 05 2022

web june 15th 2018 browse and read veitnam war era section 4 quiz answers veitnam war era section 4 quiz answers excellent book is always being the best friend for spending little time in your office night time bus and

[veitnam war era section 4 quiz answers test naf](#) - Mar 10 2023

web jun 18 2023 this veitnam war era section 4 quiz answers as one of the most running sellers here will thoroughly be paired with by the best alternatives to review test naf.org 1 2

[veitnam war era section 4 quiz answers pdf uniport.edu](#) - Apr 11 2023

web jul 22 2023 guide veitnam war era section 4 quiz answers as you such as by searching the title publisher or authors of guide you essentially want you can discover them rapidly in the house workplace or perhaps in your method can be every best area within net connections

[26 vietnam war trivia quizzes history](#) - Feb 26 2022

web surviving the war in vietnam 10 questions 7 mins the year is 1962 and by the end of this quiz it will be 1973 you are a soldier in vietnam fighting against the spread of communism here are some questions about what a soldier might have gone through during the years of the vietnam war 17

[the vietnam war section 4 flashcards quizlet](#) - Jul 14 2023

web tet offensive click the card to flip both sides had announced a cease fire to celebrate the three day new years holiday north vietnam launched a major offensive against the south over 80 000 viet cong troops attacked more than 100 south vietnamese cities and towns

chapter 20 the vietnam war era 1954 1975 section 4 - Aug 15 2023

web 1971 publication that revealed american leaders involved in the u s in vietnam without fully informing the american people and occasionally even lied to congress paris peace accords parties agreed to a cease fire and a u s troop withdrawal from south vietnam war powers act

veitnam war era section 4 quiz answers mail4 bec systems - Sep 04 2022

web give under as well as evaluation veitnam war era section 4 quiz answers what you bearing in mind to read veitnam war era section 4 quiz answers 2020 08 17 mckenzie darryl chapter 29 the vietnam war years answer key review veitnam war era section 4the act restrcited the

sinus infection causes symptoms treatment acaai public - Mar 20 2022

web the majority of sinus infections are caused by a virus such as a cold less than 2 are bacterial antibiotics don t help viral infections people with allergies are more likely

sinus infections and asthma symptoms effects and - Aug 05 2023

web no more allergies asthma or sinus infections the revolutionary diet approach to eliminating upper respiratory problems including children s middle ear infections lon

allergies and asthma they often occur together mayo clinic - May 22 2022

web chronic sinusitis chronic sinusitis also referred to as chronic rhinosinusitis is often diagnosed when symptoms have gone on for more than 12 weeks despite medical

no more allergies asthma or sinus infections worldcat org - Sep 25 2022

web lon jones america s most famous country doctor and practitioner of commonsense medicine shows you how to cure yourself of allergies sinus problems and other upper

no more allergies asthma or sinus infections the - Jan 30 2023

web no more allergies asthma or sinus infections the revolutionary diet approach to eliminating upper respiratory problems including children s middle ear infections by

no more allergies asthma or sinus infections the scribd - Jun 22 2022

web nasal and sinus passages become swollen congested and inflamed in an attempt to flush out offending inhaled particles that trigger allergies pollen are seasonal allergens

no more allergies asthma or sinus infections the revolutionary - Oct 15 2021

colds allergies and sinusitis how to tell the difference - Dec 17 2021

sinus infections aafa org asthma allergy foundation of - Aug 25 2022

web may 14 2021 a lot as it turns out allergies and asthma often occur together the same substances that trigger your hay fever allergic rhinitis symptoms such as pollen dust

allergies or sinus infection how to tell the difference - Sep 06 2023

web buy no more allergies asthma or sinus infections the revolutionary approach to eliminating upper respiratory problems including children s middle ear infections by

no more allergies asthma or sinus infections the revolutionary - Nov 27 2022

web a viral infection causes most cases of sinusitis colds bacterial infections allergies asthma and other health conditions can also cause sinusitis if your sinuses are

sinusitis and asthma symptoms causes and treatments - May 02 2023

web jan 15 2011 no more allergies asthma or sinus infections the revolutionary approach jones d o lon 9781893910881 books amazon ca

sinusitis allergy asthma network - Jan 18 2022

web jan 31 2011 no more allergies asthma or sinus infections the revolutionary approach to eliminating upper respiratory problems including children s middle ear infections

health fitness a llergies - Nov 15 2021

no more allergies asthma or sinus infections the - Jul 04 2023

web aug 10 2022 allergic asthma refers to asthma symptoms and attacks that may develop as a result of allergies common allergens involved in allergic asthma include dust

no more allergies asthma or sinus infections archive org - Oct 27 2022

web this review explores the associations between rhinosinusitis and asthma with particular emphasis placed on the role of infections and inflammation keywords acute

no more allergies asthma or sinus infections google books - Jun 03 2023

web no more allergies asthma or sinus infections the revolutionary approach the revolutionary approach to eliminating upper respiratory problems including children s

sinus infection causes symptoms duration and more - Apr 20 2022

web people who have asthma allergies or weakened immune systems are at high risk for sinus infections what are sinuses sinuses are air filled spaces in the nose they

no more allergies asthma or sinus infections the - Oct 07 2023

web 5 min read for lots of people sinus infections or sinusitis and asthma go together according to the asthma and allergy foundation of america as many as half of all

no more allergies asthma or sinus infections the revolutionary - Dec 29 2022

web no more allergies asthma or sinus infections the revolutionary diet approach to eliminating upper respiratory problems including children s middle ear infections author

no more allergies asthma or sinus infections the revolutionary - Apr 01 2023

web no more allergies asthma or sinus infections the revolutionary approach ebook jones d o lon amazon ca kindle store

the difference between sinus infections and allergies - Feb 28 2023

web sep 11 2013 no more allergies asthma or sinus infections the revolutionary approach kindle edition by lon jones d o author format kindle edition 4 2 77

sinusitis sinus infection symptoms diagnosis treatment - Feb 16 2022

web no more allergies asthma or sinus infections offers a straight forward commonsense approach to anyone who suffers from the unbearable

sinus infections inflammation and asthma pubmed - Jul 24 2022

web jul 17 2023 common causes of chronic sinusitis include allergies to pollen dust mold or fungi spores nasal polyps tumors fractures chronic sinusitis in adults is most