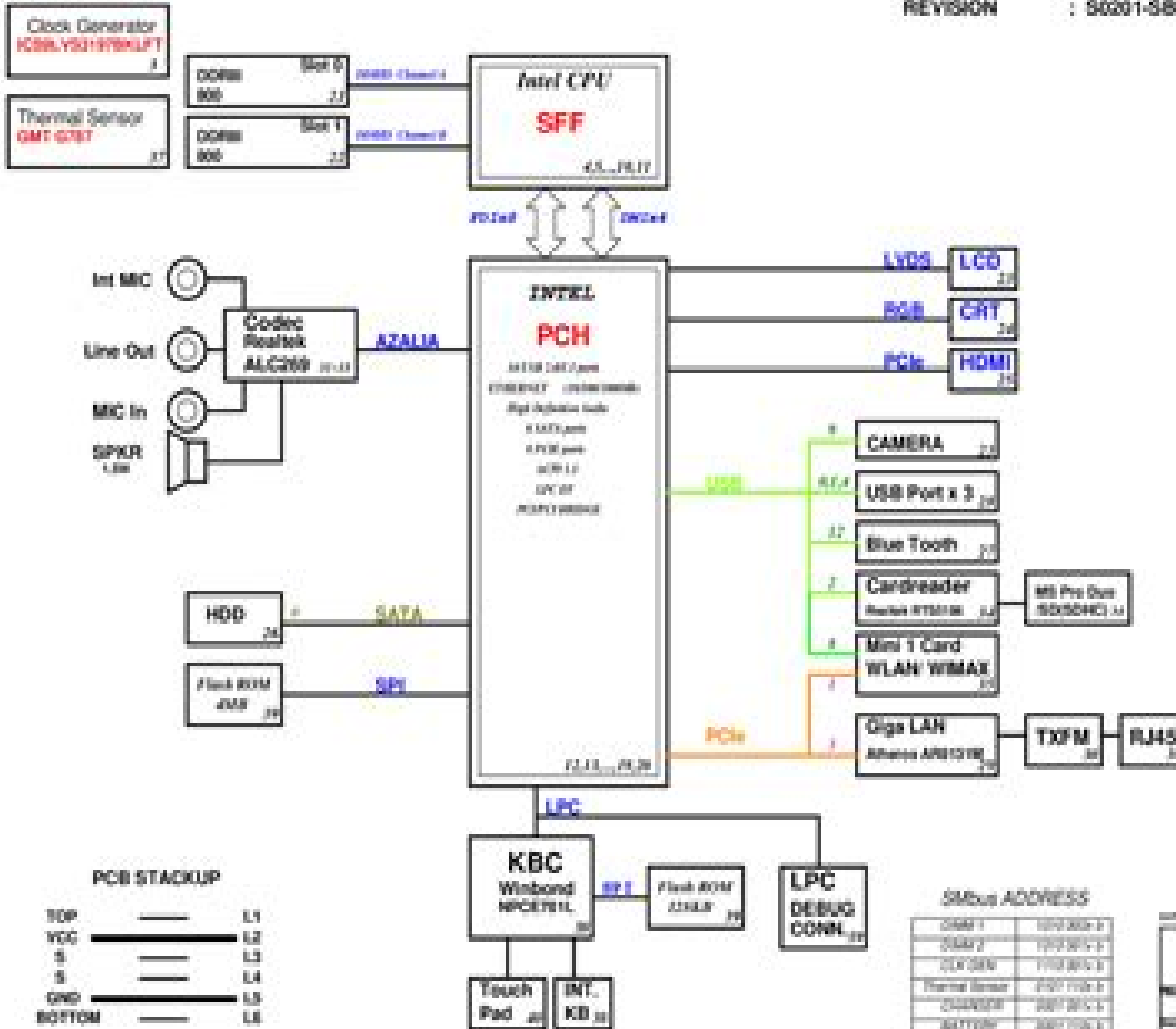


# TUCANA Block Diagram

PROJECT CODE : 91.4KK01.001  
 PCB P/N : 48.4KK01.05B  
 REVISION : S0201-SB



SYSTEM DC/DC RT8223	
INPUTS	OUTPUTS
DSUB0/01	RT_000A
	RTV_000A
	RT_000_01
	RTV_000_01
RT8209	
INPUTS	OUTPUTS
DSUB0/02	RT001_000A
RT8209	
INPUTS	OUTPUTS
DSUB0/02	RTV_000_01
RT8209	
INPUTS	OUTPUTS
RT_01	RTV_000_01
	RTV_000_01
CHARGER BCD791	
INPUTS	OUTPUTS
DSUB0/01	CHG_PWR
	RTV_000_01
CPU DC/DC ADP3211	
INPUTS	OUTPUTS
DSUB0/01	VCC_CORE
	VCC
GFX Core ADP3211	
INPUTS	OUTPUTS
DSUB0/01	VCC_GPUCORE
	VCC

SMbus ADDRESS

COMP	SMbus ADDRESS
DSUB1	00000001
DSUB2	00000002
DSUB3	00000003
Thermal Sensor	00000004
CHARGER	00000005
BATTERY	00000006

Wistron Corporation  
 11F, No. 100, Sec. 2, Road 100,  
 Taipei 100, Taiwan, R.O.C.

**BLOCK DIAGRAM**

TUCANA

# I Mobile 503 Asmobile Tucana Service Manual User Guide

**Yijin Wang**



**I Mobile 503 Asmobile Tucana Service Manual User Guide:**

Discover tales of courage and bravery in is empowering ebook, **Stories of Fearlessness: I Mobile 503 Asmobile Tucana Service Manual User Guide** . In a downloadable PDF format ( PDF Size: \*), this collection inspires and motivates. Download now to witness the indomitable spirit of those who dared to be brave.

<https://staging.conocer.cide.edu/About/scholarship/Documents/key%20management%20concepts.pdf>

## **Table of Contents I Mobile 503 Asmobile Tucana Service Manual User Guide**

1. Understanding the eBook I Mobile 503 Asmobile Tucana Service Manual User Guide
  - The Rise of Digital Reading I Mobile 503 Asmobile Tucana Service Manual User Guide
  - Advantages of eBooks Over Traditional Books
2. Identifying I Mobile 503 Asmobile Tucana Service Manual User Guide
  - Exploring Different Genres
  - Considering Fiction vs. Non-Fiction
  - Determining Your Reading Goals
3. Choosing the Right eBook Platform
  - Popular eBook Platforms
  - Features to Look for in an I Mobile 503 Asmobile Tucana Service Manual User Guide
  - User-Friendly Interface
4. Exploring eBook Recommendations from I Mobile 503 Asmobile Tucana Service Manual User Guide
  - Personalized Recommendations
  - I Mobile 503 Asmobile Tucana Service Manual User Guide User Reviews and Ratings
  - I Mobile 503 Asmobile Tucana Service Manual User Guide and Bestseller Lists
5. Accessing I Mobile 503 Asmobile Tucana Service Manual User Guide Free and Paid eBooks
  - I Mobile 503 Asmobile Tucana Service Manual User Guide Public Domain eBooks
  - I Mobile 503 Asmobile Tucana Service Manual User Guide eBook Subscription Services
  - I Mobile 503 Asmobile Tucana Service Manual User Guide Budget-Friendly Options
6. Navigating I Mobile 503 Asmobile Tucana Service Manual User Guide eBook Formats

- ePub, PDF, MOBI, and More
  - I Mobile 503 Asmobile Tucana Service Manual User Guide Compatibility with Devices
  - I Mobile 503 Asmobile Tucana Service Manual User Guide Enhanced eBook Features
7. Enhancing Your Reading Experience
    - Adjustable Fonts and Text Sizes of I Mobile 503 Asmobile Tucana Service Manual User Guide
    - Highlighting and Note-Taking I Mobile 503 Asmobile Tucana Service Manual User Guide
    - Interactive Elements I Mobile 503 Asmobile Tucana Service Manual User Guide
  8. Staying Engaged with I Mobile 503 Asmobile Tucana Service Manual User Guide
    - Joining Online Reading Communities
    - Participating in Virtual Book Clubs
    - Following Authors and Publishers I Mobile 503 Asmobile Tucana Service Manual User Guide
  9. Balancing eBooks and Physical Books I Mobile 503 Asmobile Tucana Service Manual User Guide
    - Benefits of a Digital Library
    - Creating a Diverse Reading Collection I Mobile 503 Asmobile Tucana Service Manual User Guide
  10. Overcoming Reading Challenges
    - Dealing with Digital Eye Strain
    - Minimizing Distractions
    - Managing Screen Time
  11. Cultivating a Reading Routine I Mobile 503 Asmobile Tucana Service Manual User Guide
    - Setting Reading Goals I Mobile 503 Asmobile Tucana Service Manual User Guide
    - Carving Out Dedicated Reading Time
  12. Sourcing Reliable Information of I Mobile 503 Asmobile Tucana Service Manual User Guide
    - Fact-Checking eBook Content of I Mobile 503 Asmobile Tucana Service Manual User Guide
    - Distinguishing Credible Sources
  13. Promoting Lifelong Learning
    - Utilizing eBooks for Skill Development
    - Exploring Educational eBooks
  14. Embracing eBook Trends
    - Integration of Multimedia Elements
    - Interactive and Gamified eBooks

### I Mobile 503 Asmobile Tucana Service Manual User Guide Introduction

In today's digital age, the availability of I Mobile 503 Asmobile Tucana Service Manual User Guide books and manuals for download has revolutionized the way we access information. Gone are the days of physically flipping through pages and carrying heavy textbooks or manuals. With just a few clicks, we can now access a wealth of knowledge from the comfort of our own homes or on the go. This article will explore the advantages of I Mobile 503 Asmobile Tucana Service Manual User Guide books and manuals for download, along with some popular platforms that offer these resources. One of the significant advantages of I Mobile 503 Asmobile Tucana Service Manual User Guide books and manuals for download is the cost-saving aspect. Traditional books and manuals can be costly, especially if you need to purchase several of them for educational or professional purposes. By accessing I Mobile 503 Asmobile Tucana Service Manual User Guide versions, you eliminate the need to spend money on physical copies. This not only saves you money but also reduces the environmental impact associated with book production and transportation. Furthermore, I Mobile 503 Asmobile Tucana Service Manual User Guide books and manuals for download are incredibly convenient. With just a computer or smartphone and an internet connection, you can access a vast library of resources on any subject imaginable. Whether you're a student looking for textbooks, a professional seeking industry-specific manuals, or someone interested in self-improvement, these digital resources provide an efficient and accessible means of acquiring knowledge. Moreover, PDF books and manuals offer a range of benefits compared to other digital formats. PDF files are designed to retain their formatting regardless of the device used to open them. This ensures that the content appears exactly as intended by the author, with no loss of formatting or missing graphics. Additionally, PDF files can be easily annotated, bookmarked, and searched for specific terms, making them highly practical for studying or referencing. When it comes to accessing I Mobile 503 Asmobile Tucana Service Manual User Guide books and manuals, several platforms offer an extensive collection of resources. One such platform is Project Gutenberg, a nonprofit organization that provides over 60,000 free eBooks. These books are primarily in the public domain, meaning they can be freely distributed and downloaded. Project Gutenberg offers a wide range of classic literature, making it an excellent resource for literature enthusiasts. Another popular platform for I Mobile 503 Asmobile Tucana Service Manual User Guide books and manuals is Open Library. Open Library is an initiative of the Internet Archive, a non-profit organization dedicated to digitizing cultural artifacts and making them accessible to the public. Open Library hosts millions of books, including both public domain works and contemporary titles. It also allows users to borrow digital copies of certain books for a limited period, similar to a library lending system. Additionally, many universities and educational institutions have their own digital libraries that provide free access to PDF books and manuals. These libraries often offer academic texts, research papers, and technical manuals, making them invaluable resources for students and researchers. Some notable examples include MIT OpenCourseWare, which offers free access to course materials from the Massachusetts Institute of Technology, and the

Digital Public Library of America, which provides a vast collection of digitized books and historical documents. In conclusion, I Mobile 503 Asmobile Tucana Service Manual User Guide books and manuals for download have transformed the way we access information. They provide a cost-effective and convenient means of acquiring knowledge, offering the ability to access a vast library of resources at our fingertips. With platforms like Project Gutenberg, Open Library, and various digital libraries offered by educational institutions, we have access to an ever-expanding collection of books and manuals. Whether for educational, professional, or personal purposes, these digital resources serve as valuable tools for continuous learning and self-improvement. So why not take advantage of the vast world of I Mobile 503 Asmobile Tucana Service Manual User Guide books and manuals for download and embark on your journey of knowledge?

### **FAQs About I Mobile 503 Asmobile Tucana Service Manual User Guide Books**

**What is a I Mobile 503 Asmobile Tucana Service Manual User Guide PDF?** A PDF (Portable Document Format) is a file format developed by Adobe that preserves the layout and formatting of a document, regardless of the software, hardware, or operating system used to view or print it. **How do I create a I Mobile 503 Asmobile Tucana Service Manual User Guide PDF?** There are several ways to create a PDF: Use software like Adobe Acrobat, Microsoft Word, or Google Docs, which often have built-in PDF creation tools. Print to PDF: Many applications and operating systems have a "Print to PDF" option that allows you to save a document as a PDF file instead of printing it on paper. Online converters: There are various online tools that can convert different file types to PDF. **How do I edit a I Mobile 503 Asmobile Tucana Service Manual User Guide PDF?** Editing a PDF can be done with software like Adobe Acrobat, which allows direct editing of text, images, and other elements within the PDF. Some free tools, like PDFescape or Smallpdf, also offer basic editing capabilities. **How do I convert a I Mobile 503 Asmobile Tucana Service Manual User Guide PDF to another file format?** There are multiple ways to convert a PDF to another format: Use online converters like Smallpdf, Zamzar, or Adobe Acrobats export feature to convert PDFs to formats like Word, Excel, JPEG, etc. Software like Adobe Acrobat, Microsoft Word, or other PDF editors may have options to export or save PDFs in different formats. **How do I password-protect a I Mobile 503 Asmobile Tucana Service Manual User Guide PDF?** Most PDF editing software allows you to add password protection. In Adobe Acrobat, for instance, you can go to "File" -> "Properties" -> "Security" to set a password to restrict access or editing capabilities. Are there any free alternatives to Adobe Acrobat for working with PDFs? Yes, there are many free alternatives for working with PDFs, such as: LibreOffice: Offers PDF editing features. PDFsam: Allows splitting, merging, and editing PDFs. Foxit Reader: Provides basic PDF viewing and editing capabilities. How do I compress a PDF file? You can use online tools like Smallpdf, ILovePDF, or desktop software like Adobe Acrobat to compress PDF files without significant quality loss.

Compression reduces the file size, making it easier to share and download. Can I fill out forms in a PDF file? Yes, most PDF viewers/editors like Adobe Acrobat, Preview (on Mac), or various online tools allow you to fill out forms in PDF files by selecting text fields and entering information. Are there any restrictions when working with PDFs? Some PDFs might have restrictions set by their creator, such as password protection, editing restrictions, or print restrictions. Breaking these restrictions might require specific software or tools, which may or may not be legal depending on the circumstances and local laws.

**Find I Mobile 503 Asmobile Tucana Service Manual User Guide :**

**key management concepts**

**kathleen and frank**

*key concepts in international business*

*kenmore micro/ convection cooking*

*key elements n p as sb bi c 7 lando&borernstein group three vol 7 pte*

*kennedy promise the politics of expectation*

**ken tyler master printer and the american printmaking renaissance**

*kennedy half dollars 1986 1998 volume two*

*keeping the republic*

**key cases in psychotherapy**

*kellogg on integrated marketing*

**keeping henry / large print**

*kenning collection*

**kavaleristy v memuarakh sovremennikov 19001920 vypusk 1**

**katharine hepburn star as feminist**

**I Mobile 503 Asmobile Tucana Service Manual User Guide :**

*free vehicle payment plan agreement pdf word eforms - Mar 14 2022*

*web updated august 04 2023 a vehicle payment plan agreement is a contract between a buyer and seller of a vehicle that agrees to installment payments since the seller is*

**vehicle sales agreement imgix - Dec 11 2021**



web vehicle to buyer seller agrees and covenants to execute all documents presented by buyer which are necessary to finalize transfer of title and registration upon the acquired

**car buyer s seller s contract motors** - Nov 09 2021

web registration document completed by buyer seller yes no registration document v5c exchanged yes no buyer has received v5c 2 green slip yes no comments notes

**home student legal services** - Jan 24 2023

web use our private car sale contract template to create a legally binding contract between the buyer and seller of a vehicle our free sample car sale agreement outlines the

*car purchase agreement free word templates* - May 16 2022

web download the car purchase agreement for free find free blank samples in microsoft word form excel charts spreadsheets and pdf format

*14 sample car purchase agreement templates in* - Feb 22 2023

web a car purchase agreement is a legally binding document between two parties buyer and seller regarding the purchase of a vehicle it outlines information about the subject of

*free 12 sample car purchase agreement templates in pdf* - Sep 19 2022

web buying and selling a vehicle or getting an installment loan or rental of cars and trucks require car agreements download template net s free printable blank fillable or

**6 car sale agreement templates in pdf word pages** - Jul 18 2022

web when selling or buying a car there should be an area within the car sale agreement that lists down all the pertinent details of the car like its model color and body type you can

**10 selling car contract exemples doc and pdf format** - Jun 16 2022

web aug 10 2015 sale of motor vehicule dowload vehicle purchase and sale agreement download doc format vehicle sale agreement doc format sale of motor vehicule

**free car purchase agreement template fill sign** - Jun 28 2023

it is actually quite common for most of the details of the bill of sale to be filled out by hand on the day that the car changes hands written information in the contract does not impact the see more

**car buyer s seller s contract the aa** - Dec 23 2022

web download a car seller s contract pdf if you re selling a used car print two copies of our car seller s contract and complete them in front of the buyer each party should sign

**40 free car purchase agreement templates excelshe** - May 28 2023

if you are going to create a very simple bill of sale for your car buying agreement you will need to be sure that these minimum details are included see more

**fillable online car buying contract template doc pdf filler** - Jan 12 2022

web car buying contract template doc pdf to download full version car buying contract template doc pdf copy this link into your browser pdfspath net get 3 car

free car agreement template download in word google - Oct 21 2022

web car buyer s seller s contract for private sales if you re buying or selling a used car print two copies out and complete them in front of the other party both buyer and seller

**20 printable car sale contract templates** - Aug 31 2023

if you have never drafted a vehicle purchase agreement you will need to know what information you need to include in the purchase agreement document you need to note more see more

**42 printable vehicle purchase agreement templates** - Oct 01 2023

you can easily write your own vehicle purchase agreement if you wish this document is fairly simple to draft and can be brought with you to the meeting that you hold to complete a car purchase even if you are planning to sell a car with a cash only deal you need to be sure that you do not skip over the see more

**car sale agreement template get free 2023 private** - Apr 26 2023

web 20 printable car sale contract templates selling your car to a private buyer can sometimes earn you more than trading it to a dealership while the added return is an

free vehicle purchase agreement to win more clients signaturely - Feb 10 2022

web this free vehicle purchase agreement template simplifies the process of a car purchase or sale this document includes all necessary information about the buyer and seller

*6 vehicle purchase agreement templates pdf doc* - Aug 19 2022

web sample auto purchase agreement 6 free documents in pdf vehicle purchase agreement sample 9 examples in word pdf it is also essential to gain some

**car seller s contract aa** - Mar 26 2023

web download this free car purchase agreement template as a word document to create a receipt used to transfer ownership of a vehicle from one party to another

free car purchase agreement template for microsoft word - Jul 30 2023

this vehicle purchase agreement is legally binding if it has been drafted correctly and signed by both parties involved in the sale you can choose to offer a more basic version of this see more

**agreement for sale of a used car google docs** - Nov 21 2022

web ðĪ à á þÿ þÿÿÿ

free purchase agreement template printable pdf word - Apr 14 2022

web may 26 2023 create document updated may 26 2023 legally reviewed by brooke davis whether you re buying property a business or a car use a purchase agreement

*the five people you meet in heaven character analysis litcharts* - Aug 11 2022

summary analysis themes quotes characters symbols theme viz teachers and parents our teacher edition on five people makes teaching easy everything you need for every book you read sooo much more helpful than sparknotes the way the content is organized and presented is seamlessly smooth innovative and comprehensive

*the five people you meet in heaven mitch albom paperback* - Jan 16 2023

the five people you meet in heaven is a wonderfully moving fable that addresses the meaning of life and life after death in the poignant way that made tuesdays with morrie such an astonishing book

**the five people you meet in heaven litpriest** - Apr 07 2022

the novel the five people you meet in heaven begins with a crippled elderly man eddie who works at ruby pier a seaside park in maintenance eddie has always desired to leave the part and establish a new life somewhere else yet was never able to one day during his routine rounds he sees a cart on a ride freddy s free fall

**the five people you meet in heaven goodreads** - Aug 23 2023

sep 1 2003 the five people you meet in heaven 1 mitch albom 3 98 697 212 ratings27 041 reviews from the author of the phenomenal 1 new york times bestseller tuesdays with morrie a novel that explores the unexpected connections of our lives and the idea that heaven is more than a place it s an answer

**the five people you meet in heaven summary gradesaver** - Oct 13 2022

the five people you meet in heaven study guide contains a biography of mitch albom literature essays quiz questions major themes characters and a full summary and analysis best summary pdf themes and quotes

**the five people you meet in heaven wikipedia** - Sep 24 2023

the five people you meet in heaven is a 2003 novel by mitch albom it follows the life and death of a ride mechanic named eddie inspired by albom s uncle 1 who is killed in an amusement park accident and sent to heaven where he encounters five people who had a significant impact on him while he was alive

**the five people you meet in heaven amazon com** - Jul 22 2023

apparently a rift exists where albom s five people you meet in heaven is concerned as people appear to gravitate towards either the a disliking the simplicity of the work or b enjoying the beauty of the sentimentality behind the work

*the five people you meet in heaven study guide litcharts* - Apr 19 2023

the best study guide to the five people you meet in heaven on the planet from the creators of sparknotes get the summaries analysis and quotes you need

*the five people you meet in heaven booktopia* - May 08 2022

jan 1 2003 the five people you meet in heaven is a wonderfully moving fable that addresses the meaning of life and life after death in the poignant way that made tuesdays with morrie such an astonishing book

*the five people you meet in heaven tv movie 2004 imdb* - Feb 05 2022

apr 24 2005 the five people you meet in heaven directed by lloyd kramer with jon voight ellen burstyn jeff daniels dagmara dominczyk an elderly amusement park maintenance man eddie is trapped in purgatory and the only way out is

*the five people you meet in heaven bookreporter com* - Sep 12 2022

the five people you meet in heaven is a beautiful story eddie is human and likable for his foibles fears and faults the writing is often lyrical and fable like and though the book is fiction behind it lies alбом s lifelong love of his uncle which lends a tenderness and intimacy to the tale on par with tuesdays with morrie

**the five people you meet in heaven movies on google play** - Jul 10 2022

about this movie arrow forward from the author of the phenomenal 1 ny times best seller comes the original screen adaptation of mitch alбом s the five people you meet in heaven with an

*the five people you meet in heaven supersummary* - Mar 18 2023

the five people you meet in heaven is a novel by best selling writer mitch alбом published in 2003 it sold more than 10 million copies and appeared on the new york times bestseller list in 2004 the story was adapted into a made for television movie starring jon voight

*the five people you meet in heaven summary enotes com* - May 20 2023

2 days ago the five people you meet in heaven tells the story of eddie a bitter crotchety nondescript maintenance man for a carnival at the fictional ruby pier he feels he has wasted his life in a

**the five people you meet in heaven summary litcharts** - Jun 21 2023

eddie goes to heaven where he travels through many shifting colors until he meets the blue man who was one of the circus freaks at ruby pier long ago the blue man tells eddie that in heaven he will meet five important people who will each teach him a lesson about his life

*the five people you meet in heaven chapter 5 summary analysis* - Dec 15 2022

the five people you meet in heaven chapter 5 summary analysis next chapter 6 themes and colors key summary analysis in the mysterious afterlife eddie wakes up alone in the ruby pier of his childhood surprised at how young and spry he feels eddie

decides to run around the entire park enjoying all the familiar old sites

**the five people you meet in heaven series goodreads** - Feb 17 2023

book 1 the five people you meet in heaven by mitch albom 3 98 697 212 ratings 27 041 reviews published 2003 251 editions  
from the author of the phenomenal 1 new york time want to read rate it book 2 the next person you meet in heaven by mitch  
albom 4 31 49 115 ratings 4 792 reviews published 2018 26 editions

**the five people you meet in heaven 5 lessons shortform** - Jun 09 2022

the five people you meet in heaven lessons are about learning to live without regret and being at peace each person eddie  
meets offers a lesson and contributes to the five lessons eddie learns in heaven eddie s first lesson eddie is scared and  
defensive after learning he contributed to the blue man s death

**the five people you meet in heaven themes litcharts** - Nov 14 2022

the five people you meet in heaven themes next redemption and forgiveness themes and colors litcharts assigns a color and  
icon to each theme in the five people you meet in heaven which you can use to track the themes throughout

[mitch albom s the five people you meet in heaven](#) - Mar 06 2022

mitch albom s the five people you meet in heaven photos see all photos movie info aging handyman eddie jon voight dies  
himself while saving a small child from death soon after his final

**guide to financial and accounting english businessenglish2go** - Dec 13 2022

web this is a financial dictionary in english that has more than 300 definitions of financial terms this tool was made for  
education in finance money and investments this guide groups the terms into financial categories instead

**7 money and finance vocabulary and speaking worksheets** - Oct 31 2021

web sep 5 2023 this is a business english esl exercise introducing and exploring basic financial vocabulary students try to  
complete the sentences by looking at the pictures this exercise works well as an icebreaker at the beginning of a lesson basic  
financial vocabulary pdf basic financial vocabulary audio related resources business

**business english learn banking and finance vocabulary** - Jan 02 2022

web business english learn banking and finance vocabulary become a banking and finance pro practice now on the banking  
finance study programme learn how to use vocabulary that is specific to the banking sector understand situations associated  
with the world of finance master the basics of communicating in trading rooms

[business english money finance learn english today](#) - May 06 2022

web a person dealing with cash transactions in a bank shop etc written order on a specially printed form to a pay the stated  
amount from one s bank account a piece of metal with an official stamp used as money the money used in

*finance accounting business english vocabulary concepts* - Sep 10 2022

web finance accounting business english vocabulary concepts this course is designed to help learners improve their proficiency in english language vocabulary for financial purposes 4 7 8 ratings 49 students created by emad abdelhamid last updated 4 2023 english auto what you ll learn

[business english vocabulary 127 top phrases for conversation](#) - Apr 17 2023

web may 23 2023 without proper business english vocabulary you ll quickly find yourself swimming in the sea of corporate jargon and unfamiliar terms finance and accounting vocabulary to someone who isn t a financial expert terms like assets liabilities and accruals have no more meaning than egyptian hieroglyphics

**45 must know terms to improve your financial vocabulary in english** - Jul 20 2023

web financial statement terms banking vocabulary pension fund terms tax vocabulary stock market investment words finance vocabulary exercises i ve noticed that many of my business english students struggle with financial vocabulary in this study guide i have created a list of 45 essential words and phrases to help you succeed

**top 140 business english vocabulary with tests and exercises** - Jun 19 2023

web business english vocabulary is the vocabulary about the business contexts such as finance banking international trade investment commerce advertising marketing etc so it may be difficult to understand even for many native speakers of english *more english councils face bankruptcy leaders warn as deficits* - Aug 29 2021

web oct 19 2023 in july the lga estimated that english councils faced funding gaps of 2bn in 2023 24 and 900m in 2024 25 it has since revised those figures in the light of bank of england inflation forecasts

**business english vocabulary with pdf natives org** - Jul 08 2022

web brainstorming this business english term is related to ideas it s all about sharing knowledge and coming up with new or old ideas in order to achieve something it could be to solve a business problem launch a new product etc it s usually a creative meeting where there are no stupid ideas

*30 words expressions to enhance your business english vocabulary* - Aug 09 2022

web apr 16 2020 the most common words in business english can be used across different industries e g trade finance technology insurance and among coworkers from different departments yet this type of english also includes specialized vocabulary for

**business english vocabulary exercises speakspeak** - Oct 11 2022

web welcome to our section of business english vocabulary exercises for intermediate and upper intermediate learners in these short exercises you can practise specific area of business english vocabulary finance sales marketing etc vocabulary commonly used in working environments

*the top 20 business english words for finance topics you* - May 18 2023

web apr 7 2023 the top 20 business english words for finance topics you must know 1 interest rate 2 investment 3 external capital 4 cash outflow 5 revenue 6 profit 7 loss 8 recession 9 debt 10 collateral 11 mortgage

*bbc learning english bbc learning english business english* - Nov 12 2022

web learn english with these free learning english videos and materials from bbc learning english this site will help you learn english and improve your pronunciation grammar and

**finance vocabulary word list phrases financial expressions** - Sep 22 2023

web jun 25 2020 finance vocabulary basic english words about finance access ækses advertising ædvɜrtarɪŋ accounts payable ə'kaʊnts pəreɪbl accounts receivable ə'kaʊnts rɪ'si:vəbl accrue ə'kru: i e compound interest atm automatic teller machine balance sheet bæləns ʃi:t budget bʌdʒɪt business plan bɪznəs plæn

**english vocabulary for money finance and the economy** - Mar 04 2022

web economic terms the central banks and finance ministers are trying to decide whether to inject more money into the financial markets places where stocks or commodities for example are bought and sold many countries are now in an economic recession

**35 terms to enhance your business english vocabulary** - Feb 15 2023

web 35 terms to enhance your business english vocabulary if you re learning english in order to better your job prospects the chances are that at some point you re going to need to understand and employ a more specialised vocabulary

**finance esl efl lesson plan and worksheet linguahouse** - Feb 03 2022

web jul 10 2017 30 min finance share level pre intermediate a2 b1 type of english business english tags money and finance shops and services economy and finance vocabulary lesson publication date 10 07 2017 in this worksheet students learn and practise vocabulary connected with finance

*english for accounting vocabulary phrases classes preply business* - Mar 16 2023

web aug 27 2020 take a look below to learn the most important general accounting english terms 14 cash flow a strong brand identity great management and positive cash flow are essential for your company to be a market leader measures how much money is moving into and out of a business during a period of time

finance vocabulary business english kaplan international - Aug 21 2023

web jan 27 2021 whether you re interested in a career in finance or just want to familiarize yourself with the key terms this guide will give you a good starting point millions of people around the world are employed in the financial services sector dealing in and overseeing trillions of dollars every day

pdf english vocabulary for banking finance - Dec 01 2021

web 1 a small a a profit 2 an income b amount of money 3 donate c cash 4 high d cost of living 5 make e credit card 6 pay by f

losers 7 pay in g money to charity 8 winners and h of 25 000 a year 6 for reference see a c black dictionary of banking and finance 978 07136 7739 3 fc

**business finance and economics vocabulary word list 571** - Jun 07 2022

web business finance and economics vocabulary word list 571 a abolish abundant accept account accounting accreditation accrual accumulation acquisition activity actual addition advantage advertisement advice advise adviser affidavit affiliate affluent afford agenda aggregate alienate allegation allocate amalgamation

**sustainability reporting standards for certain sectors and for** - Sep 29 2021

web 19a and 29a of the accounting directive and apply from financial year 2024 depending on the category of undertaking article 40a of the accounting directive also requires certain non eu companies carrying out business in the territory of the union to make public certain sustainability information from financial year 2028

financial english vocabulary exercises blair english - Apr 05 2022

web english bank vocabulary 2 using banks and bank accounts level intermediate this online exercise looks at and explains the english vocabulary used when both using a bank and having a bank account english bank vocabulary 3 borrowing money loans level upper intermediate

**money finance and banking vocabulary learn english** - Jan 14 2023

web what is money finance and banking vocabulary in business english money finance and banking vocabulary is the vocabulary about the management of money it includes activities such as investing lending borrowing saving budgeting and forecasting