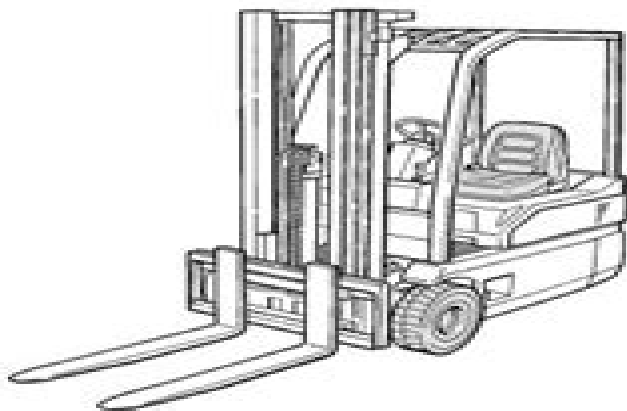


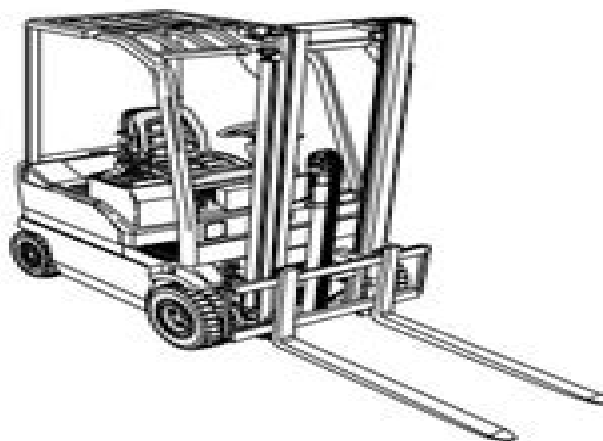
KOMATSU

SHOP MANUAL

Series 4016
FB 12 • 15 • 18
M-2R



Series 4017
FB 15 • 18-2R



60424131 GB

Ver: 03/2002
Rev: 02/2003

Komatsu Propane Forklift Manual

Michael Rajnik



Komatsu Propane Forklift Manual:

Moody's International Manual ,1996 *November 2022 - Surplus Record Machinery & Equipment Directory* Surplus Record,2022-11-01 SURPLUS RECORD is the leading independent business directory of new and used capital equipment machine tools machinery and industrial equipment listing over 95 000 industrial assets including metalworking and fabricating machine tools chemical and process equipment cranes air compressors pumps motors circuit breakers generators transformers turbines and more Over 1 100 businesses list with the SURPLUS RECORD November 2022 issue Vol 99 No 11

May 2022 - Surplus Record Machinery & Equipment Directory Surplus Record,2022-05-01 SURPLUS RECORD is the leading independent business directory of new and used capital equipment machine tools machinery and industrial equipment listing over 95 000 industrial assets including metalworking and fabricating machine tools chemical and process equipment cranes air compressors pumps motors circuit breakers generators transformers turbines and more Over 1 100 businesses list with the SURPLUS RECORD May 2022 issue Vol 99 No 5 **Moody's Industrial Manual** ,1994 Covering New York American regional stock exchanges international companies **August 2022 - Surplus Record Machinery & Equipment Directory** Surplus Record,2022-08-01 SURPLUS RECORD is the leading independent business directory of new and used capital equipment machine tools machinery and industrial equipment listing over 95 000 industrial assets including metalworking and fabricating machine tools chemical and process equipment cranes air compressors pumps motors circuit breakers generators transformers turbines and more Over 1 100 businesses list with the SURPLUS RECORD August 2022 issue Vol 99 No 8 **October 2023 - Surplus Record Machinery & Equipment Directory** Tom Scanlan, SURPLUS RECORD is the leading independent business directory of new and used capital equipment machine tools machinery and industrial equipment listing over 110 000 industrial assets since 1924 including metalworking and fabricating machine tools lathes cnc equipment machine centers woodworking equipment food equipment chemical and process equipment cranes air compressors pumps motors circuit breakers generators transformers turbines and more Over 1 100 businesses list with the SURPLUS RECORD October 2023 issue Vol 100 No 10 **January 2024 - Surplus Record Machinery & Equipment** Tom Scanlan, SURPLUS RECORD is the leading independent business directory of new and used capital equipment machine tools machinery and industrial equipment listing over 110 000 industrial assets since 1924 including metalworking and fabricating machine tools lathes cnc equipment machine centers woodworking equipment food equipment chemical and process equipment cranes air compressors pumps motors circuit breakers generators transformers turbines and more Over 1 100 businesses list with the SURPLUS RECORD November 2023 issue Vol 101 No 1 [December 2023 - Surplus Record Machinery & Equipment](#) , SURPLUS RECORD is the leading independent business directory of new and used capital equipment machine tools machinery and industrial equipment listing over 120 000 industrial assets since 1924 including metalworking and fabricating machine tools lathes cnc equipment machine centers woodworking equipment food equipment

chemical and process equipment cranes air compressors pumps motors circuit breakers generators transformers turbines and more Over 1 100 businesses list with the SURPLUS RECORD November 2023 issue Vol 100 No 12 *Thomas Regional Industrial Buying Guide* ,2002 **THOMAS REGIONAL INDUSTRIAL BUYING GUIDE NORTHERN CALIFORNIA 2004** , **Thomas Register of American Manufacturers and Thomas Register Catalog File** ,1996 Vols for 1970 71 includes manufacturers catalogs *Regional Industrial Buying Guide* ,2000 *Farmers and Consumers Market Bulletin* ,2010 *Shop Manual* ,197? **The Forklift Manual** John L. Ryan,L. D. Ryan,2006 Operator's Manual ,1991 **Service Manual, Liftall** ,1976 **Operator's Manual** ,1992 **Direct Support and General Support Maintenance Manual for Truck, Forklift, 6,000 Lb., Variable Reach, Rough Terrain, NSN 3930-01-158-0849** ,1993 **Operator's Manual** ,1991

Thank you unconditionally much for downloading **Komatsu Propane Forklift Manual**. Maybe you have knowledge that, people have seen numerous times for their favorite books bearing in mind this Komatsu Propane Forklift Manual, but stop taking place in harmful downloads.

Rather than enjoying a good ebook subsequent to a mug of coffee in the afternoon, on the other hand they juggled next some harmful virus inside their computer. **Komatsu Propane Forklift Manual** is easy to use in our digital library an online entry to it is set as public fittingly you can download it instantly. Our digital library saves in merged countries, allowing you to acquire the most less latency era to download any of our books considering this one. Merely said, the Komatsu Propane Forklift Manual is universally compatible as soon as any devices to read.

https://staging.conocer.cide.edu/book/scholarship/default.aspx/learning_the_irish_fiddle_bk_cd.pdf

Table of Contents Komatsu Propane Forklift Manual

1. Understanding the eBook Komatsu Propane Forklift Manual
 - The Rise of Digital Reading Komatsu Propane Forklift Manual
 - Advantages of eBooks Over Traditional Books
2. Identifying Komatsu Propane Forklift Manual
 - Exploring Different Genres
 - Considering Fiction vs. Non-Fiction
 - Determining Your Reading Goals
3. Choosing the Right eBook Platform
 - Popular eBook Platforms
 - Features to Look for in an Komatsu Propane Forklift Manual
 - User-Friendly Interface
4. Exploring eBook Recommendations from Komatsu Propane Forklift Manual
 - Personalized Recommendations
 - Komatsu Propane Forklift Manual User Reviews and Ratings

- Komatsu Propane Forklift Manual and Bestseller Lists
- 5. Accessing Komatsu Propane Forklift Manual Free and Paid eBooks
 - Komatsu Propane Forklift Manual Public Domain eBooks
 - Komatsu Propane Forklift Manual eBook Subscription Services
 - Komatsu Propane Forklift Manual Budget-Friendly Options
- 6. Navigating Komatsu Propane Forklift Manual eBook Formats
 - ePub, PDF, MOBI, and More
 - Komatsu Propane Forklift Manual Compatibility with Devices
 - Komatsu Propane Forklift Manual Enhanced eBook Features
- 7. Enhancing Your Reading Experience
 - Adjustable Fonts and Text Sizes of Komatsu Propane Forklift Manual
 - Highlighting and Note-Taking Komatsu Propane Forklift Manual
 - Interactive Elements Komatsu Propane Forklift Manual
- 8. Staying Engaged with Komatsu Propane Forklift Manual
 - Joining Online Reading Communities
 - Participating in Virtual Book Clubs
 - Following Authors and Publishers Komatsu Propane Forklift Manual
- 9. Balancing eBooks and Physical Books Komatsu Propane Forklift Manual
 - Benefits of a Digital Library
 - Creating a Diverse Reading Collection Komatsu Propane Forklift Manual
- 10. Overcoming Reading Challenges
 - Dealing with Digital Eye Strain
 - Minimizing Distractions
 - Managing Screen Time
- 11. Cultivating a Reading Routine Komatsu Propane Forklift Manual
 - Setting Reading Goals Komatsu Propane Forklift Manual
 - Carving Out Dedicated Reading Time
- 12. Sourcing Reliable Information of Komatsu Propane Forklift Manual
 - Fact-Checking eBook Content of Komatsu Propane Forklift Manual
 - Distinguishing Credible Sources

13. Promoting Lifelong Learning
 - Utilizing eBooks for Skill Development
 - Exploring Educational eBooks
14. Embracing eBook Trends
 - Integration of Multimedia Elements
 - Interactive and Gamified eBooks

Komatsu Propane Forklift Manual Introduction

In today's digital age, the availability of Komatsu Propane Forklift Manual books and manuals for download has revolutionized the way we access information. Gone are the days of physically flipping through pages and carrying heavy textbooks or manuals. With just a few clicks, we can now access a wealth of knowledge from the comfort of our own homes or on the go. This article will explore the advantages of Komatsu Propane Forklift Manual books and manuals for download, along with some popular platforms that offer these resources. One of the significant advantages of Komatsu Propane Forklift Manual books and manuals for download is the cost-saving aspect. Traditional books and manuals can be costly, especially if you need to purchase several of them for educational or professional purposes. By accessing Komatsu Propane Forklift Manual versions, you eliminate the need to spend money on physical copies. This not only saves you money but also reduces the environmental impact associated with book production and transportation. Furthermore, Komatsu Propane Forklift Manual books and manuals for download are incredibly convenient. With just a computer or smartphone and an internet connection, you can access a vast library of resources on any subject imaginable. Whether you're a student looking for textbooks, a professional seeking industry-specific manuals, or someone interested in self-improvement, these digital resources provide an efficient and accessible means of acquiring knowledge. Moreover, PDF books and manuals offer a range of benefits compared to other digital formats. PDF files are designed to retain their formatting regardless of the device used to open them. This ensures that the content appears exactly as intended by the author, with no loss of formatting or missing graphics. Additionally, PDF files can be easily annotated, bookmarked, and searched for specific terms, making them highly practical for studying or referencing. When it comes to accessing Komatsu Propane Forklift Manual books and manuals, several platforms offer an extensive collection of resources. One such platform is Project Gutenberg, a nonprofit organization that provides over 60,000 free eBooks. These books are primarily in the public domain, meaning they can be freely distributed and downloaded. Project Gutenberg offers a wide range of classic literature, making it an excellent resource for literature enthusiasts. Another popular platform for Komatsu Propane Forklift Manual books and manuals is Open Library. Open Library is an initiative of the Internet Archive, a non-profit organization dedicated to digitizing cultural artifacts and making

them accessible to the public. Open Library hosts millions of books, including both public domain works and contemporary titles. It also allows users to borrow digital copies of certain books for a limited period, similar to a library lending system. Additionally, many universities and educational institutions have their own digital libraries that provide free access to PDF books and manuals. These libraries often offer academic texts, research papers, and technical manuals, making them invaluable resources for students and researchers. Some notable examples include MIT OpenCourseWare, which offers free access to course materials from the Massachusetts Institute of Technology, and the Digital Public Library of America, which provides a vast collection of digitized books and historical documents. In conclusion, Komatsu Propane Forklift Manual books and manuals for download have transformed the way we access information. They provide a cost-effective and convenient means of acquiring knowledge, offering the ability to access a vast library of resources at our fingertips. With platforms like Project Gutenberg, Open Library, and various digital libraries offered by educational institutions, we have access to an ever-expanding collection of books and manuals. Whether for educational, professional, or personal purposes, these digital resources serve as valuable tools for continuous learning and self-improvement. So why not take advantage of the vast world of Komatsu Propane Forklift Manual books and manuals for download and embark on your journey of knowledge?

FAQs About Komatsu Propane Forklift Manual Books

What is a Komatsu Propane Forklift Manual PDF? A PDF (Portable Document Format) is a file format developed by Adobe that preserves the layout and formatting of a document, regardless of the software, hardware, or operating system used to view or print it. **How do I create a Komatsu Propane Forklift Manual PDF?** There are several ways to create a PDF: Use software like Adobe Acrobat, Microsoft Word, or Google Docs, which often have built-in PDF creation tools. Print to PDF: Many applications and operating systems have a "Print to PDF" option that allows you to save a document as a PDF file instead of printing it on paper. Online converters: There are various online tools that can convert different file types to PDF. **How do I edit a Komatsu Propane Forklift Manual PDF?** Editing a PDF can be done with software like Adobe Acrobat, which allows direct editing of text, images, and other elements within the PDF. Some free tools, like PDFescape or Smallpdf, also offer basic editing capabilities. **How do I convert a Komatsu Propane Forklift Manual PDF to another file format?** There are multiple ways to convert a PDF to another format: Use online converters like Smallpdf, Zamzar, or Adobe Acrobats export feature to convert PDFs to formats like Word, Excel, JPEG, etc. Software like Adobe Acrobat, Microsoft Word, or other PDF editors may have options to export or save PDFs in different formats. **How do I password-protect a Komatsu Propane Forklift Manual PDF?** Most PDF editing software allows you to add password protection. In Adobe Acrobat, for instance, you can go to "File" -> "Properties" -> "Security" to set a password to restrict access or editing

capabilities. Are there any free alternatives to Adobe Acrobat for working with PDFs? Yes, there are many free alternatives for working with PDFs, such as: LibreOffice: Offers PDF editing features. PDFsam: Allows splitting, merging, and editing PDFs. Foxit Reader: Provides basic PDF viewing and editing capabilities. How do I compress a PDF file? You can use online tools like Smallpdf, ILovePDF, or desktop software like Adobe Acrobat to compress PDF files without significant quality loss. Compression reduces the file size, making it easier to share and download. Can I fill out forms in a PDF file? Yes, most PDF viewers/editors like Adobe Acrobat, Preview (on Mac), or various online tools allow you to fill out forms in PDF files by selecting text fields and entering information. Are there any restrictions when working with PDFs? Some PDFs might have restrictions set by their creator, such as password protection, editing restrictions, or print restrictions. Breaking these restrictions might require specific software or tools, which may or may not be legal depending on the circumstances and local laws.

Find Komatsu Propane Forklift Manual :

learning the irish fiddle bk/cd

learning for success effective strategies for students

learning how to pray for your children

lectures on lie groups and lie algebras

learning support for young people in transition leaving school for further education and work

learning communities reforming undergraduate education

lecture notes in physics group theoretical methods in physics

learning to teach in the elementary school introductory readings

learning autocad in 20 project-trans masters

leaving home at 72

learning from china a report on agriculture and the chinese peoples communes

learning to change a guide for organizational change agent

learning with puppets a guide to making and using puppets in the classroom

learning to philosophize a primer

learning to be a scientist

Komatsu Propane Forklift Manual :

Portuguese For Dummies by Keller, Karen Portuguese for Dummies, of course! This fun, friendly guide helps you start speaking Brazilian Portuguese immediately! Whether you're a student, a traveler, or ... Portuguese For Dummies by Keller, Karen Portuguese for Dummies is a well-written beginner's text for the study of that language or at least the Brazilian version of that language. Karen Keller is ... Portuguese For Dummies Cheat Sheet Feb 22, 2022 — This article can be found in the category: Portuguese . From the Book Brazilian Portuguese For Dummies. Brazilian Portuguese For Dummies Brazilian Portuguese For Dummies, 3rd Edition (1119894654) is your easy-to-follow guide to the language, for travel, school, or just fun! Portuguese Books Portuguese Phrases for Dummies is the perfect diving board for anyone looking to communicate and even become fluent in the language. As the fifth-most widely ... Portuguese Phrases For Dummies Want to improve your conversation skills with the Portuguese-speaking people in your life? Portuguese Phrases for Dummies is the perfect diving board for anyone ... Brazilian Portuguese for Dummies (Paperback) Aug 2, 2022 — Brazilian Portuguese For Dummies can help you achieve your goals of learning another language. Traveling to Brazil? Taking a class in school? Brazilian Portuguese For Dummies, 3rd Edition Language learning is easy with Dummies Brazilian Portuguese For Dummies can help you achieve your goals of learning another language. Traveling to Brazil? Portuguese For Dummies by Karen Keller, Paperback Portuguese For Dummies · Paperback · \$24.99. Portuguese for Dummies book by Karen Keller Buy a cheap copy of Portuguese for Dummies book by Karen Keller. Quick What's the most widely spoken language in South America? That's right, Portuguese And ... Essentials of Abnormal Psychology Essentials of Abnormal Psychology. 7th Edition. ISBN-13: 978-1305633681, ISBN ... Fundamentals of Abnormal Psychology Fundamentals of Abnormal Psychology becomes the first abnormal psychology ... Worth Publishers; Seventh edition (March 11, 2013). Language, English. Paperback ... Bundle: Essentials of Abnormal Psychology, ... Revised to reflect DSM-5, this briefer version of Durand and Barlow's widely used book fully describes abnormal psychology through the authors' ... Essentials of Abnormal Psychology 7th edition Essentials of Abnormal Psychology 7th Edition is written by V. Mark Durand; David H. Barlow and published by Cengage Learning. The Digital and eTextbook ... Essentials of Abnormal Psychology | Rent | 9781305094147 The original list price of Essentials of Abnormal Psychology 7th Edition (9781305094147) is around \$240 which could feel like a lot for a 3.45 pound book. Essentials of Abnormal Psychology 7th Edition Books; Essentials of Abnormal Psychology. Essentials of Abnormal Psychology. by Vincent Mark Durand, David H. Barlow. Essentials of Abnormal Psychology. by ... eTextbook: Essentials of Abnormal Psychology, ... eTextbook: Essentials of Abnormal Psychology, 7th Edition ; Starting At \$74.95 ; Overview. EPUB EBK: ESSENTIALS OF ABNORM AL PSYCHOLOGY. Read More ; RETAIL \$74.95. Essentials of Abnormal Psychology 7th Find 9781305633681 Essentials of Abnormal Psychology 7th Edition by Durand et al at over 30 bookstores. Buy, rent or sell. Essentials of Abnormal Psychology (MindTap Course List) ... Essentials of Abnormal Psychology (MindTap Course List) (7th

Edition). by Vincent Mark Durand, David H. Barlow. Hardcover, 704 Pages, Published 2015. Essentials of Abnormal Psychology Vincent Mark ... Essentials of Abnormal Psychology Vincent Mark Durand, Barlow, David 7th edition ; Publication Year. 2016 ; Type. Textbook ; Accurate description. 5.0 ; Reasonable ... Flashes of Thought - Amazon.com Really interesting book, specially if the reader wishes to have some insights on the Arabic culture and on HH MBRAM's managerial style and thinking. Helpful. Flashes of... by bin Rashid Al Maktoum, Sheikh Mohammed Really interesting book, specially if the reader wishes to have some insights on the Arabic culture and on HH MBRAM's managerial style and thinking. Helpful. (PDF) FLASHES of THOUGHT | nitrolol Robot101 This paper explores the transformational leadership of the UAE founders since 1971, mainly, Sheikh Zayed bin Sultan Al Nahyan and Sheikh Rashid bin Saeed Al ... Flashes-of-Thought.pdf ... the book under reference-such of which one rarely comes across, by His Highness Sheikh Mohammed bin Rashid Al Maktoum, the eminent UAE Vice. President, Prime ... Flashes of Thought - HH Sheikh Mohammed Bin Rashid Al ... Flashes of Thought is a diverse collection of personal reflections by His Highness Sheikh Mohammed bin Rashid Al Maktoum, Vice-President and Prime Minister ... Flashes of Thought by Mohammed bin Rashid Al Maktoum This book covered a wide range of topics from management and leadership to personal life, success and it's drivers. This book inspired by a dialogue at the ... Flashes of Thought: Inspired by a Dialogue at ... Flashes of Thought is a diverse collection of personal reflections by His Highness Sheikh Mohammed bin Rashid Al Maktoum, Vice-President and Prime Minister ... Flashes of Thought Flashes of Thought is a collection of personal reflections by His Highness Sheikh Mohammed bin Rashid Al Maktoum, Vice President and Prime Minister of the ... Flashes of Thought - Mohammed bin Rashid Al Maktoum This book is packed with ideas for governance, leadership and life from the man ... Sheikh Mohammed bin Rashid Al Maktoum is the Prime Minister and Vice ... Flashes of Thought by HH Sheikh Mohammed Bin Rashid ... Flashes of Thought is a diverse collection of personal reflections by His Highness Sheikh Mohammed bin Rashid Al Maktoum, Vice-President and Prime Minister ...