

# ADVANCE gauges

Tachometer, turbo/boost, in-mani press, water temp



CAN Driver

illumination input  
illumination output  
switch input

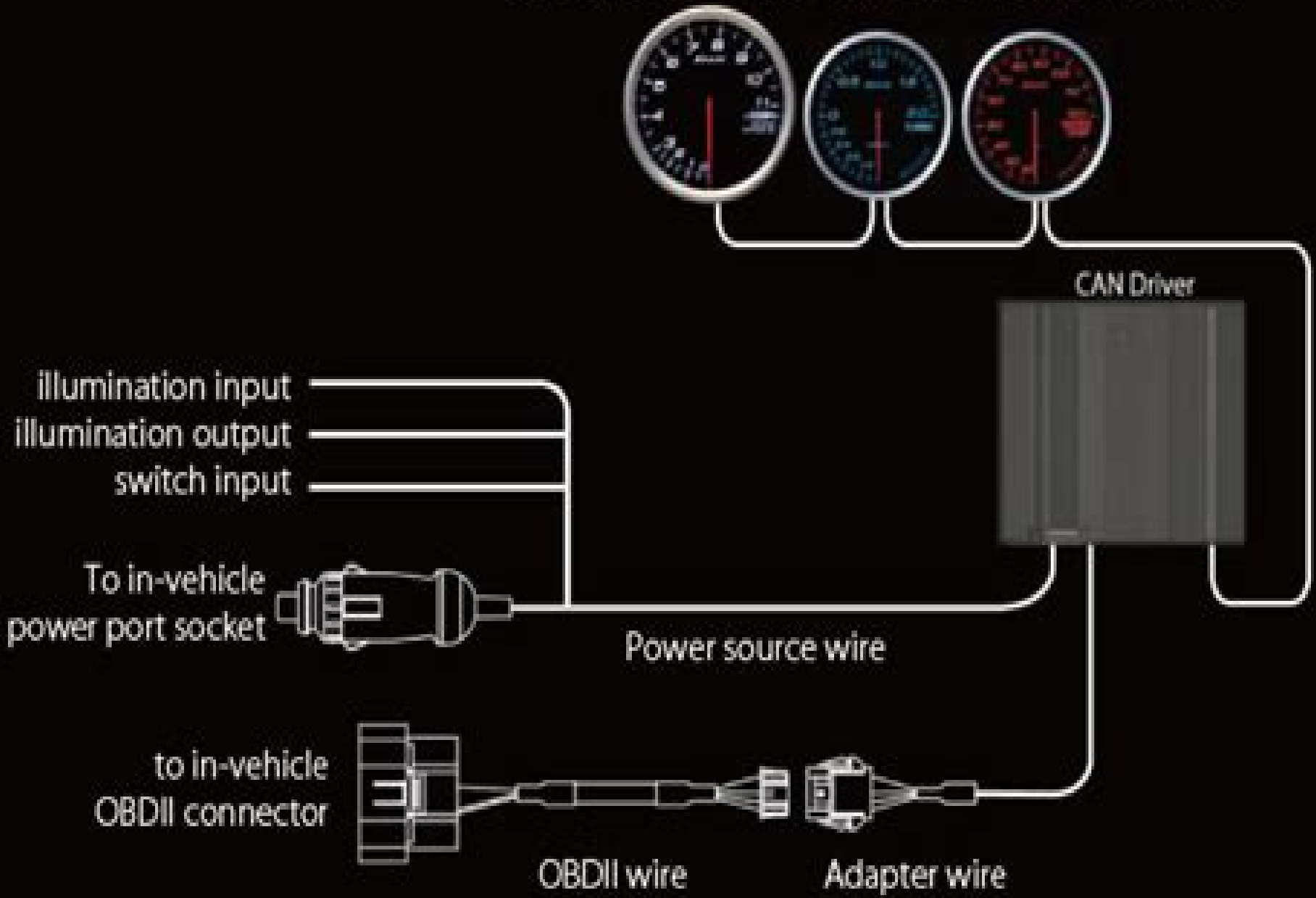
To in-vehicle  
power port socket

Power source wire

to in-vehicle  
OBDII connector

OBDII wire

Adapter wire



# Manual Installation Rpm Defi

**RM Cervero**



## **Manual Installation Rpm Defi:**

Immerse yourself in heartwarming tales of love and emotion with Explore Love with its touching creation, Tender Moments: **Manual Installation Rpm Defi** . This emotionally charged ebook, available for download in a PDF format ( Download in PDF: \*), is a celebration of love in all its forms. Download now and let the warmth of these stories envelop your heart.

<https://staging.conocer.cide.edu/results/book-search/Documents/macbook%20retina%20display%20battery%20not%20charging.pdf>

## **Table of Contents Manual Installation Rpm Defi**

1. Understanding the eBook Manual Installation Rpm Defi
  - The Rise of Digital Reading Manual Installation Rpm Defi
  - Advantages of eBooks Over Traditional Books
2. Identifying Manual Installation Rpm Defi
  - Exploring Different Genres
  - Considering Fiction vs. Non-Fiction
  - Determining Your Reading Goals
3. Choosing the Right eBook Platform
  - Popular eBook Platforms
  - Features to Look for in an Manual Installation Rpm Defi
  - User-Friendly Interface
4. Exploring eBook Recommendations from Manual Installation Rpm Defi
  - Personalized Recommendations
  - Manual Installation Rpm Defi User Reviews and Ratings
  - Manual Installation Rpm Defi and Bestseller Lists
5. Accessing Manual Installation Rpm Defi Free and Paid eBooks
  - Manual Installation Rpm Defi Public Domain eBooks
  - Manual Installation Rpm Defi eBook Subscription Services
  - Manual Installation Rpm Defi Budget-Friendly Options

6. Navigating Manual Installation Rpm Defi eBook Formats
  - ePub, PDF, MOBI, and More
  - Manual Installation Rpm Defi Compatibility with Devices
  - Manual Installation Rpm Defi Enhanced eBook Features
7. Enhancing Your Reading Experience
  - Adjustable Fonts and Text Sizes of Manual Installation Rpm Defi
  - Highlighting and Note-Taking Manual Installation Rpm Defi
  - Interactive Elements Manual Installation Rpm Defi
8. Staying Engaged with Manual Installation Rpm Defi
  - Joining Online Reading Communities
  - Participating in Virtual Book Clubs
  - Following Authors and Publishers Manual Installation Rpm Defi
9. Balancing eBooks and Physical Books Manual Installation Rpm Defi
  - Benefits of a Digital Library
  - Creating a Diverse Reading Collection Manual Installation Rpm Defi
10. Overcoming Reading Challenges
  - Dealing with Digital Eye Strain
  - Minimizing Distractions
  - Managing Screen Time
11. Cultivating a Reading Routine Manual Installation Rpm Defi
  - Setting Reading Goals Manual Installation Rpm Defi
  - Carving Out Dedicated Reading Time
12. Sourcing Reliable Information of Manual Installation Rpm Defi
  - Fact-Checking eBook Content of Manual Installation Rpm Defi
  - Distinguishing Credible Sources
13. Promoting Lifelong Learning
  - Utilizing eBooks for Skill Development
  - Exploring Educational eBooks
14. Embracing eBook Trends
  - Integration of Multimedia Elements

- Interactive and Gamified eBooks

### **Manual Installation Rpm Defi Introduction**

Manual Installation Rpm Defi Offers over 60,000 free eBooks, including many classics that are in the public domain. Open Library: Provides access to over 1 million free eBooks, including classic literature and contemporary works. Manual Installation Rpm Defi Offers a vast collection of books, some of which are available for free as PDF downloads, particularly older books in the public domain. Manual Installation Rpm Defi : This website hosts a vast collection of scientific articles, books, and textbooks. While it operates in a legal gray area due to copyright issues, its a popular resource for finding various publications. Internet Archive for Manual Installation Rpm Defi : Has an extensive collection of digital content, including books, articles, videos, and more. It has a massive library of free downloadable books. Free-eBooks Manual Installation Rpm Defi Offers a diverse range of free eBooks across various genres. Manual Installation Rpm Defi Focuses mainly on educational books, textbooks, and business books. It offers free PDF downloads for educational purposes. Manual Installation Rpm Defi Provides a large selection of free eBooks in different genres, which are available for download in various formats, including PDF. Finding specific Manual Installation Rpm Defi, especially related to Manual Installation Rpm Defi, might be challenging as theyre often artistic creations rather than practical blueprints. However, you can explore the following steps to search for or create your own Online Searches: Look for websites, forums, or blogs dedicated to Manual Installation Rpm Defi, Sometimes enthusiasts share their designs or concepts in PDF format. Books and Magazines Some Manual Installation Rpm Defi books or magazines might include. Look for these in online stores or libraries. Remember that while Manual Installation Rpm Defi, sharing copyrighted material without permission is not legal. Always ensure youre either creating your own or obtaining them from legitimate sources that allow sharing and downloading. Library Check if your local library offers eBook lending services. Many libraries have digital catalogs where you can borrow Manual Installation Rpm Defi eBooks for free, including popular titles. Online Retailers: Websites like Amazon, Google Books, or Apple Books often sell eBooks. Sometimes, authors or publishers offer promotions or free periods for certain books. Authors Website Occasionally, authors provide excerpts or short stories for free on their websites. While this might not be the Manual Installation Rpm Defi full book , it can give you a taste of the authors writing style. Subscription Services Platforms like Kindle Unlimited or Scribd offer subscription-based access to a wide range of Manual Installation Rpm Defi eBooks, including some popular titles.

### **FAQs About Manual Installation Rpm Defi Books**

1. Where can I buy Manual Installation Rpm Defi books? Bookstores: Physical bookstores like Barnes & Noble, Waterstones, and independent local stores. Online Retailers: Amazon, Book Depository, and various online bookstores offer a wide range of books in physical and digital formats.
2. What are the different book formats available? Hardcover: Sturdy and durable, usually more expensive. Paperback: Cheaper, lighter, and more portable than hardcovers. E-books: Digital books available for e-readers like Kindle or software like Apple Books, Kindle, and Google Play Books.
3. How do I choose a Manual Installation Rpm Defi book to read? Genres: Consider the genre you enjoy (fiction, non-fiction, mystery, sci-fi, etc.). Recommendations: Ask friends, join book clubs, or explore online reviews and recommendations. Author: If you like a particular author, you might enjoy more of their work.
4. How do I take care of Manual Installation Rpm Defi books? Storage: Keep them away from direct sunlight and in a dry environment. Handling: Avoid folding pages, use bookmarks, and handle them with clean hands. Cleaning: Gently dust the covers and pages occasionally.
5. Can I borrow books without buying them? Public Libraries: Local libraries offer a wide range of books for borrowing. Book Swaps: Community book exchanges or online platforms where people exchange books.
6. How can I track my reading progress or manage my book collection? Book Tracking Apps: Goodreads, LibraryThing, and Book Catalogue are popular apps for tracking your reading progress and managing book collections. Spreadsheets: You can create your own spreadsheet to track books read, ratings, and other details.
7. What are Manual Installation Rpm Defi audiobooks, and where can I find them? Audiobooks: Audio recordings of books, perfect for listening while commuting or multitasking. Platforms: Audible, LibriVox, and Google Play Books offer a wide selection of audiobooks.
8. How do I support authors or the book industry? Buy Books: Purchase books from authors or independent bookstores. Reviews: Leave reviews on platforms like Goodreads or Amazon. Promotion: Share your favorite books on social media or recommend them to friends.
9. Are there book clubs or reading communities I can join? Local Clubs: Check for local book clubs in libraries or community centers. Online Communities: Platforms like Goodreads have virtual book clubs and discussion groups.
10. Can I read Manual Installation Rpm Defi books for free? Public Domain Books: Many classic books are available for free as they're in the public domain. Free E-books: Some websites offer free e-books legally, like Project Gutenberg or Open Library.

**Find Manual Installation Rpm Defi :**

[macbook retina display battery not charging](#)

**m14 1 axeng hp2 eng tz1 xx**

[m3 repair manual](#)

[m15 mathl hptz2 xxm](#)

[macaron piping guide](#)

**m n13 3 busmt bp1 eng tz0 xx cs**

[macbook best buy deal](#)

[m1 p2 grade 11 memo nov 2014](#)

[m13 4 physi hp3 eng tzxx answer](#)

**macaroni grill dessert ravioli recipe**

**macbeth act three scene guide secondary solutions**

[m13 4 biolo spm eng tz2 xx m](#)

**m5phone user guide**

[mac ipad user guide](#)

[macbook vga adapter best buy](#)

**Manual Installation Rpm Defi :**

**the insider s guide to 52 homes in 52 weeks acquire your** - Dec 06 2022

web the insider s guide to 52 homes in 52 weeks acquire your real estate fortune today by de roos dolf at abebooks co uk isbn 10 0471757055 isbn 13 9780471757054

**the insider s guide to 52 homes in 52 weeks perlego** - Aug 02 2022

web tracing this ten month real estate adventure in depth and detail the insider s guide to 52 homes in 52 weeks explains the authors strategies and techniques for acquiring almost

**the insider s guide to 52 homes in 52 weeks acquire** - Feb 08 2023

web feb 3 2006 tracing this ten month real estate adventure in depth and detail the insider s guide to 52 homes in 52 weeks explains the authors strategies and techniques for

[the insider s guide to 52 homes in 52 weeks acquire your real](#) - May 11 2023

web buy the insider s guide to 52 homes in 52 weeks acquire your real estate fortune today 1 by de roos dolf isbn



9780471757054 from amazon s book store everyday

**the insider s guide to 52 homes in 52 weeks acquire your real** - Nov 24 2021

web the insider s guide to 52 homes in 52 weeks acquire your real estate fortune today de roos dolf amazon de books

the insider s guide to 52 homes in 52 weeks acquire your real - Mar 09 2023

web abebooks com the insider s guide to 52 homes in 52 weeks acquire your real estate fortune today 9780471757054 by de roos dolf burns gene and a great selection of

**the insider s guide to 52 homes in 52 weeks acquire** - Jul 13 2023

web feb 3 2006 the insider s guide to 52 homes in 52 weeks acquire your real estate fortune today de roos dolf burns gene 9780471757054 amazon com books

*the insider s guide to 52 homes in 52 weeks acquire your real* - Aug 14 2023

web tracing this ten month real estate adventure in depth and detail the insiders guide to 52 homes in 52 weeks explains the authors strategies and techniques for acquiring almost

*the insider s guide to 52 homes in 52 weeks acquire your real* - Apr 10 2023

web networking to find new leads and opportunities and much more combining unbeatable investing guidance with firsthand accounts of real deals the insider s guide to 52

the insider s guide to 52 homes in 52 weeks 82nd ed - May 31 2022

web tracing this ten month real estate adventure in depth and detail the insider s guide to 52 homes in 52 weeks explains the authors strategies and techniques for acquiring almost

the insider s guide to 52 homes in 52 weeks overdrive - Mar 29 2022

web apr 17 2006 tracing this ten month real estate adventure in depth and detail the insider s guide to 52 homes in 52 weeks explains the authors strategies and

**the insider s guide to 52 homes in 52 weeks acquire your** - Nov 05 2022

web buy the insider s guide to 52 homes in 52 weeks acquire your real estate fortune today by dolf de roos gene burns online at alibris we have new and used copies

*loading interface goodreads* - Dec 26 2021

web discover and share books you love on goodreads

**the insider s guide to 52 homes in 52 weeks acquire your real** - Jul 01 2022

web get this from a library the insider s guide to 52 homes in 52 weeks acquire your real estate fortune today dolf de roos gene burns

**epub download the insider s guide to 52 homes in 52 weeks** - Oct 04 2022

web jan 14 2022 tracing this ten month real estate adventure in depth and detail the insider s guide to 52 homes in 52 weeks explains the authors strategies and

**the insider s guide to 52 homes in 52 weeks acquire your real** - Jan 07 2023

web the insider s guide to 52 homes in 52 weeks acquire your real estate fortune today de roos dolf burns gene amazon com au books

the insider s guide to 52 homes in 52 weeks acquir erik - Jan 27 2022

web ebook the insider s guide to 52 homes in 52 weeks acquir collections that we have this is why you remain in the best website to look the unbelievable books to have the

**the insider s guide to 52 homes in 52 weeks horizon bookstore** - Feb 25 2022

web 52 homes in 52 weeks by dolf de roos is an inspiring and practical guide that follows the author s journey to acquire 52 properties in just one year with real life examples and

buy the insider s guide to 52 homes in 52 weeks acquire your - Apr 29 2022

web amazon in buy the insider s guide to 52 homes in 52 weeks acquire your real estate fortune today book online at best prices in india on amazon in read the insider s

**the insider s guide to 52 homes in 52 weeks acquire your real** - Jun 12 2023

web the insider s guide to 52 homes in 52 weeks acquire your real estate fortune today de roos dolf amazon com tr kitap

**the insider s guide to 52 homes in 52 weeks acquire your real** - Sep 03 2022

web the insider s guide to 52 homes in 52 weeks acquire your real estate fortune today buy online at best price in egypt souq is now amazon eg refinements paperback

**brady prehospital emergency care 7th edition powerpoint pdf** - May 11 2023

web prehospital emergency care prentice hall written by the author of the pediatrics section of the 1998 national standard curriculum for paramedics this innovative volume is

*brady prehospital emergency care 7th edition powerpoint* - Aug 14 2023

web the 14th edition has been updated throughout with the addition of more photos fine tuned patient care features and significant reorganization involving the assessment treatment

*brady prehospital emergency care 7th edition powerpoint* - May 31 2022

web brady prehospital emergency care 7th edition powerpoint business ethics seventh edition feb 16 2022 the seventh edition of this pragmatic guide to determining right

*brady prehospital emergency care 7th edition powerpoint* - Aug 02 2022

web 2 brady prehospital emergency care 7th edition powerpoint 2021 11 11 brady prehospital emergency care 7th edition

powerpoint downloaded from

*brady prehospital emergency care 7th edition powerpoint pdf* - Dec 26 2021

web brady prehospital emergency care 7th edition powerpoint pdf brady prehospital emergency care 7th edition powerpoint pdf book review unveiling the magic of

*brady prehospital emergency care 7th edition powerpoint* - Jun 12 2023

web the fifth edition of our core first responder textbook emergency medical responder continues to take an assessment based approach to emergency medical responder

**brady prehospital emergency care 7th edition powerpoint 2022** - Oct 04 2022

web brady prehospital emergency care 7th edition powerpoint paramedic care anatomy physiology for emergency care emt b itls prehospital emergency care

*brady prehospital emergency care 7th edition powerpoint* - Apr 29 2022

web jun 5 1997 pediatric emergencies a manual for prehospital care providers 2nd edition pub date jun 5 1997 by pearson your price 106 40 ships for free save

*brady prehospital emergency care 7th edition powerpoint* - Sep 03 2022

web nov 22 2022 right here we have countless book brady prehospital emergency care 7th edition powerpoint and collections to check out we additionally offer variant types

**brady prehospital emergency care 7th edition powerpoint 2022** - Mar 09 2023

web brady prehospital emergency care 7th edition powerpoint downloaded from betamedia testfakta se by guest hallie roman medical and health care books and

**brady books prehospital emergency pharmacology 7th** - Dec 06 2022

web emergency care 7th edition powerpoint is affable in our digital library an online permission to it is set as public correspondingly you can download it instantly

**prehospital emergency care 10th edition brady books** - Feb 08 2023

web oct 17 2017 also available with mylab brady mylab brady is an online homework tutorial and assessment program designed to work with this text to engage students and

*brady prehospital emergency care 7th edition powerpoint* - Oct 24 2021

web brady prehospital emergency care 7th edition powerpoint brady prehospital emergency care 7th edition powerpoint 2 downloaded from pasteur edu uy on

*brady prehospital emergency care 7th edition powerpoint* - Jan 27 2022

web may 17 2023 brady prehospital emergency care 7th edition powerpoint 1 16 downloaded from uniport edu ng on may

17 2023 by guest brady prehospital

**brady prehospital emergency care 7th edition powerpoint full** - Jul 13 2023

web brady prehospital emergency care 7th edition powerpoint 1 brady prehospital emergency care 7th edition powerpoint essentials of paramedic care paramedic

**brady prehospital emergency care 7th edition powerpoint pdf** - Apr 10 2023

web prehospital emergency care 7th edition powerpoint and collections to check out we additionally offer variant types and furthermore type of the books to browse the

**brady books pediatric emergencies a manual for prehospital** - Mar 29 2022

web aug 28 2022 brady prehospital emergency care 7th edition powerpoint prehospital emergency care 7th edition new expanded enrichment sections includes more

[brady prehospital emergency care 7th edition powerpoint pdf](#) - Jul 01 2022

web brady prehospital emergency care 7th edition powerpoint is within reach in our digital library an online entrance to it is set as public fittingly you can download it instantly our

**brady prehospital emergency care 7th edition powerpoint** - Nov 05 2022

web conditions assessment and treatment prehospital emergency care seventh edition 7th edition brady prehospital emergency care 7th edition powerpoint june 25th 2018

**brady prehospital emergency care 7th edition powerpoint copy** - Sep 22 2021

**brady prehospital emergency care 7th edition powerpoint** - Feb 25 2022

web brady prehospital emergency care 7th edition powerpoint is available in our book collection an online access to it is set as public so you can download it instantly our

**prehospital emergency care 11th edition brady books** - Jan 07 2023

web nov 7 2011 prehospital emergency pharmacology seventh edition is a comprehensive guide to the most common medications and fluids used by paramedics and other

**brady prehospital emergency care 7th edition powerpoint pdf** - Nov 24 2021

web brady prehospital emergency care 7th edition powerpoint it will not receive many get older as we accustom before what we offer under as skillfully as review brady

*typing practice 144 free typing lessons for all* - Feb 18 2022

web type 100 faster the following 100 clear online typing practice learning and exercises will assist all users beginner intermediate advanced to raising their typing skills clickable on a typing training link below and starting your typing practice

now browse printable typing worksheets

**typing lessons practice your typing speed typingacademy** - Oct 29 2022

web learn to type and improve your typing speed online with our free typing tutor thanks to a large choice of dynamic typing lessons practice typing is as easy as pie

**check your wpm score with a free one minute test typing com** - Jun 24 2022

web what s your wpm take our one minute typing test to find out your typing speed one minute is all it takes to check your words per minute wpm score this one minute typing test is perfect for kids or adults who want to check their typing speed quickly on the next screen the timer won t start until you start typing

*my practice texts 10fastfingers com* - Jul 26 2022

web typing test top 200 words typing test advanced top 1000 words custom typing test create your own multiplayer typing test play against others typing competition who can type the fastest text practice practice your own text top 1000 unlock the top 1000 words of your language

**typing test letter samples the practice test** - May 04 2023

web this typing test samples cover letters and provides feedback so you will improve your typing speed and accuracy how do you type a cover letter should it be formal what information should i include in my cover letter

*typing lessons learn to type and improve typing speed free typing* - Sep 27 2022

web start your typing practice now

**best paragraph for typing practice in english pdf techindetail** - Apr 22 2022

web aug 20 2023 here is a list of 20 important english paragraphs for typing practice you can view a sample and download any important paragraph in pdf format also also read how to add new paragraph in typing master 1 finance demo finance is the soul and blood of any business and no firm can survive without finance

**typingtest com complete a typing test in 60 seconds** - Aug 27 2022

web typingtest com offers a free online typing test and exciting typing games and keyboarding practice check your wpm for free now

**typing page for practice free typing speed test typing com** - Aug 07 2023

web learn how long it will take you to type a practice page based on your average wpm and accuracy share your results or sign up to practice for free start now

*free online typing test typing practice and speed test* - Mar 22 2022

web there are several types of typing tests available catering to different skill levels and objectives some tests focus on improving your basic typing speed and accuracy while others target specific areas such as touch typing number pad

proficiency or advanced typing techniques

*typing practice* - Jun 05 2023

web take a typing test practice typing lessons learn to type faster

**a simple paragraph to practice simple typing text practice** - Jul 06 2023

web this is a simple paragraph that is meant to be nice and easy to type which is why there will be mommas no periods or any capital letters so i guess this means that it cannot really be considered a paragraph but just a series of run on sentences this should help you get faster at typing as im trying not to use too many difficult words in it

**english typing test paragraphs the practice test** - Oct 09 2023

web stimulate your mind as you test your typing speed with this standard english paragraph typing test watch your typing speed and accuracy increase as you learn about a variety of new topics over 40 typing test selections available

*typing practice how to type free typing practice typing* - May 24 2022

web preview the kindle edition typing practice tips free typing practice and lessons practice typing great quotes from great books stimulate your mind while you exercise your fingers you will learn to type faster as you apply the technique taught in our free touch typing lessons

**learn touch typing free typingclub** - Feb 01 2023

web learn touch typing online using typingclub s free typing courses it includes 650 typing games typing tests and videos

typing lessons paragraph practice typing com - Mar 02 2023

web practice writing skills with paragraph typing exercises this practice lesson consists of short paragraphs about interesting subjects find fun keyboard typing practice and learn something new our paragraph practice is great typing practice for writing essays reports emails and more for school and work

free typing test typing speed tests learn your wpm typing - Dec 31 2022

web the first step to learn to type fast and increase your typing speed is to take a timed typing test our 1 minute 3 minute and 5 minute timed typing speed tests are free and can be used by children or adults to check average words per minute wpm

*typing practice paragraphs download practice* - Sep 08 2023

web paragraph typing practice is a great way to boost your typing speed below are some paragraphs for you to practice typing download the paragraphs of your choice by selecting the file format you want you can choose either pdf or

type texts faster like a typing master agilefingers - Nov 29 2022

web typing practice on the texts one of the best ways to practice touch typing and to become a keyboard typing master is by typing exercises of entire fragments of text this approach provides a real world context for applying your touch typing skills

**practice typing the right way typingacademy** - Apr 03 2023

web find out how to practice typing optimally and how to make even faster progress learn typing with our online typing practice and typing speed test just try it it s free