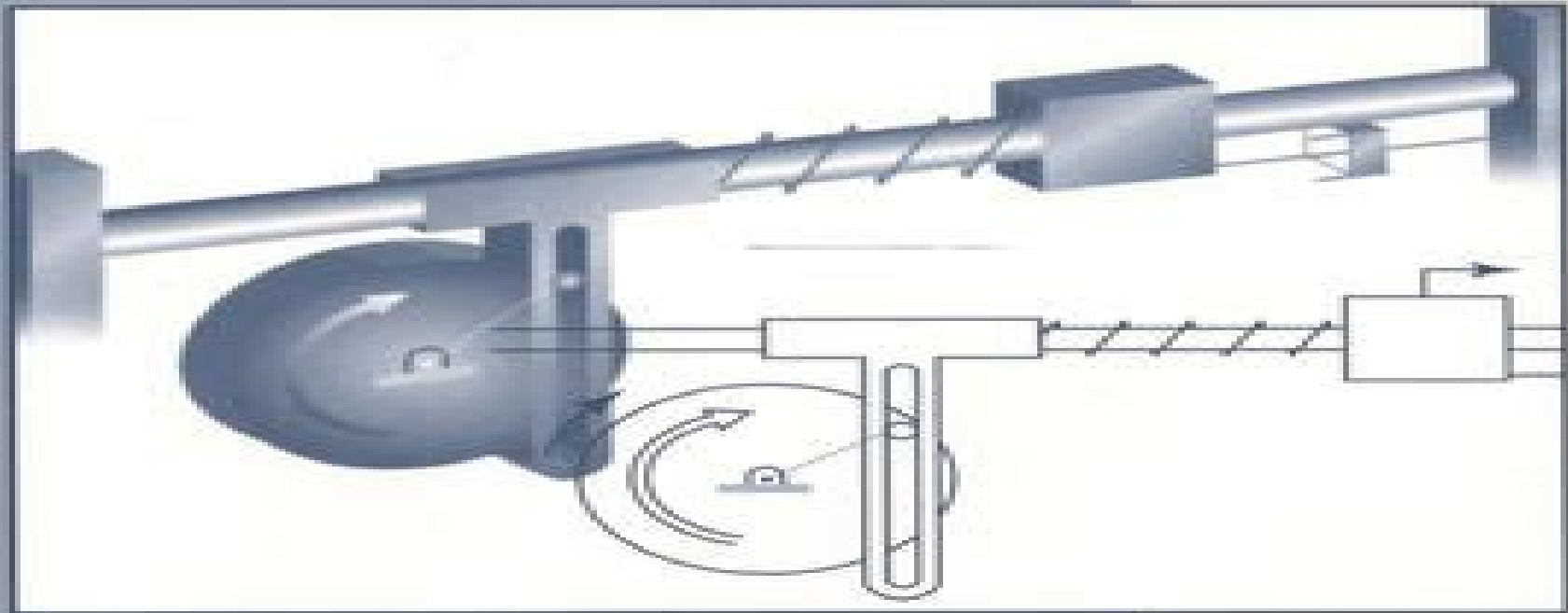


Mechanical and Structural Vibrations

Theory and
Applications



Jerry H. Ginsberg

Mechanical Structural Vibrations Theory Applications

S Ben Porath



Mechanical Structural Vibrations Theory Applications:

Mechanical Vibrations Michel Geradin, Daniel J. Rixen, 2014-11-24 Mechanical Vibrations Theory and Application to Structural Dynamics Third Edition is a comprehensively updated new edition of the popular textbook. It presents the theory of vibrations in the context of structural analysis and covers applications in mechanical and aerospace engineering. Key features include: A systematic approach to dynamic reduction and substructuring based on duality between mechanical and admittance concepts; An introduction to experimental modal analysis and identification methods; An improved, more physical presentation of wave propagation phenomena; A comprehensive presentation of current practice for solving large eigenproblems focusing on the efficient linear solution of large sparse and possibly singular systems; A deeply revised description of time integration schemes providing a framework for the rigorous accuracy/stability analysis of now widely used algorithms such as HHT and Generalized Solved exercises and end of chapter homework problems; A companion website hosting supplementary material.

Mechanical Vibrations M. Géradin, D. Rixen, 1997-06-10 Starting from the basic principles of analytical dynamics, this book presents the theory of vibrations in the context of structural analysis and the fundamentals of dynamic response analysis. It provides a comprehensive and unified approach to problems encountered in the field of vibration analysis and structural dynamics. Although emphasis is put on the computational methods, the mathematical and mechanical aspects underlying structural dynamic behavior are also raised. Numerous figures, flow charts, and examples explain specific concepts and illustrate the theory.

Mechanical and Structural Vibrations Jerry H. Ginsberg, 2001-01-25 This text offers a modern approach to vibrations. Equal emphasis is given to analytical derivations, computational procedures, problem solving, and physical interpretation of results. Appropriate for undergraduate or first-year graduate level courses.

Mechanical Vibrations Michel Géradin, Daniel Rixen, 1994

Mechanical Vibrations Michel Geradin, 2015 With coherent and uniform notation, this book presents the theory of vibrations in the context of structural analysis and covers applications in mechanical and aerospace engineering.

Mechanical Vibrations - Theory And Application - An Introduction To Practical Dynamic Engineering Problems In The Structural Field R. K. Bernhard, 2013-05-31 The aim of this book is to give to students and practicing engineers who have not studied dynamics and who are interested in mechanical vibrations a sound introduction to this important field of engineering science. It must be emphasized that it is not the purpose of this book to give a complete treatment of this subject, which would require an extensive application of higher mathematics. The bibliography lists books and articles where this aim has been achieved in an excellent way.

Vibration Theory and Applications with Finite Elements and Active Vibration Control Alan B. Palazzolo, 2016-01-11 Based on many years of research and teaching, this book brings together all the important topics in linear vibration theory, including failure models, kinematics, and modeling unstable vibrating systems, rotordynamics, model reduction methods, and finite element methods utilizing truss, beam, membrane, and solid elements. It also explores in detail active vibration control, instability, and

modal analysis The book provides the modeling skills and knowledge required for modern engineering practice plus the tools needed to identify formulate and solve engineering problems effectively Mechanical Vibrations of Elastic Systems Roy,Dr. N.S.V.Kameswara Rao,2006 This Book Presents The Topic Of Vibrations Comprehensively In Terms Of Principles Of Dynamics Forces Responses Analysis Solutions Examples Measurement Interpretation Control And Probabilistic Approaches Idealised Discrete Systems As Well As Continuous Systems Are Discussed In Detail A Wide Array Of Numerical Methods Used In Vibration Analysis Are Presented In View Of Their Enormous Popularity Adaptability Using Personal Computers A Large Number Of Examples Have Been Worked Out To Help An Easy Understanding Of Even The Difficult Topics In Vibration Analysis And Control **Mechanical Vibrations** Rudolf Karl Bernhard,2013-02 An Introduction To Practical Dynamic Engineering Problems In The Structural Field *Solder Joint Reliability Prediction for Multiple Environments* Andrew E. Perkins,Suresh K. Sitaraman,2008-12-16 Solder Joint Reliability Prediction for Multiple Environments will provide industry engineers graduate students and academic researchers and reliability experts with insights and useful tools for evaluating solder joint reliability of ceramic area array electronic packages under multiple environments The material presented here is not limited to ceramic area array packages only it can also be used as a methodology for relating numerical simulations and experimental data into an easy to use equation that captures the essential information needed to predict solder joint reliability Such a methodology is often needed to relate complex information in a simple manner to managers and non experts in solder joint who work with computer server applications as well as for harsh environments such as those found in the defense space and automotive industries

Whispering the Techniques of Language: An Emotional Quest through **Mechanical Structural Vibrations Theory Applications**

In a digitally-driven world where displays reign supreme and immediate communication drowns out the subtleties of language, the profound secrets and mental nuances concealed within words often move unheard. However, located within the pages of **Mechanical Structural Vibrations Theory Applications** a captivating literary value pulsating with organic emotions, lies an exceptional journey waiting to be undertaken. Penned by a skilled wordsmith, this wonderful opus attracts visitors on an introspective trip, softly unraveling the veiled truths and profound affect resonating within the very material of each word. Within the emotional depths of the emotional evaluation, we will embark upon a heartfelt exploration of the book is core styles, dissect their fascinating writing fashion, and yield to the effective resonance it evokes heavy within the recesses of readers hearts.

<https://staging.conocer.cide.edu/book/uploaded-files/HomePages/Explore%20Learning%20Solar%20System%20Answer%20Key.pdf>

Table of Contents Mechanical Structural Vibrations Theory Applications

1. Understanding the eBook Mechanical Structural Vibrations Theory Applications
 - The Rise of Digital Reading Mechanical Structural Vibrations Theory Applications
 - Advantages of eBooks Over Traditional Books
2. Identifying Mechanical Structural Vibrations Theory Applications
 - Exploring Different Genres
 - Considering Fiction vs. Non-Fiction
 - Determining Your Reading Goals
3. Choosing the Right eBook Platform
 - Popular eBook Platforms
 - Features to Look for in an Mechanical Structural Vibrations Theory Applications
 - User-Friendly Interface

4. Exploring eBook Recommendations from Mechanical Structural Vibrations Theory Applications
 - Personalized Recommendations
 - Mechanical Structural Vibrations Theory Applications User Reviews and Ratings
 - Mechanical Structural Vibrations Theory Applications and Bestseller Lists
5. Accessing Mechanical Structural Vibrations Theory Applications Free and Paid eBooks
 - Mechanical Structural Vibrations Theory Applications Public Domain eBooks
 - Mechanical Structural Vibrations Theory Applications eBook Subscription Services
 - Mechanical Structural Vibrations Theory Applications Budget-Friendly Options
6. Navigating Mechanical Structural Vibrations Theory Applications eBook Formats
 - ePub, PDF, MOBI, and More
 - Mechanical Structural Vibrations Theory Applications Compatibility with Devices
 - Mechanical Structural Vibrations Theory Applications Enhanced eBook Features
7. Enhancing Your Reading Experience
 - Adjustable Fonts and Text Sizes of Mechanical Structural Vibrations Theory Applications
 - Highlighting and Note-Taking Mechanical Structural Vibrations Theory Applications
 - Interactive Elements Mechanical Structural Vibrations Theory Applications
8. Staying Engaged with Mechanical Structural Vibrations Theory Applications
 - Joining Online Reading Communities
 - Participating in Virtual Book Clubs
 - Following Authors and Publishers Mechanical Structural Vibrations Theory Applications
9. Balancing eBooks and Physical Books Mechanical Structural Vibrations Theory Applications
 - Benefits of a Digital Library
 - Creating a Diverse Reading Collection Mechanical Structural Vibrations Theory Applications
10. Overcoming Reading Challenges
 - Dealing with Digital Eye Strain
 - Minimizing Distractions
 - Managing Screen Time
11. Cultivating a Reading Routine Mechanical Structural Vibrations Theory Applications
 - Setting Reading Goals Mechanical Structural Vibrations Theory Applications
 - Carving Out Dedicated Reading Time

12. Sourcing Reliable Information of Mechanical Structural Vibrations Theory Applications
 - Fact-Checking eBook Content of Mechanical Structural Vibrations Theory Applications
 - Distinguishing Credible Sources
13. Promoting Lifelong Learning
 - Utilizing eBooks for Skill Development
 - Exploring Educational eBooks
14. Embracing eBook Trends
 - Integration of Multimedia Elements
 - Interactive and Gamified eBooks

Mechanical Structural Vibrations Theory Applications Introduction

Free PDF Books and Manuals for Download: Unlocking Knowledge at Your Fingertips In today's fast-paced digital age, obtaining valuable knowledge has become easier than ever. Thanks to the internet, a vast array of books and manuals are now available for free download in PDF format. Whether you are a student, professional, or simply an avid reader, this treasure trove of downloadable resources offers a wealth of information, conveniently accessible anytime, anywhere. The advent of online libraries and platforms dedicated to sharing knowledge has revolutionized the way we consume information. No longer confined to physical libraries or bookstores, readers can now access an extensive collection of digital books and manuals with just a few clicks. These resources, available in PDF, Microsoft Word, and PowerPoint formats, cater to a wide range of interests, including literature, technology, science, history, and much more. One notable platform where you can explore and download free Mechanical Structural Vibrations Theory Applications PDF books and manuals is the internet's largest free library. Hosted online, this catalog compiles a vast assortment of documents, making it a veritable goldmine of knowledge. With its easy-to-use website interface and customizable PDF generator, this platform offers a user-friendly experience, allowing individuals to effortlessly navigate and access the information they seek. The availability of free PDF books and manuals on this platform demonstrates its commitment to democratizing education and empowering individuals with the tools needed to succeed in their chosen fields. It allows anyone, regardless of their background or financial limitations, to expand their horizons and gain insights from experts in various disciplines. One of the most significant advantages of downloading PDF books and manuals lies in their portability. Unlike physical copies, digital books can be stored and carried on a single device, such as a tablet or smartphone, saving valuable space and weight. This convenience makes it possible for readers to have their entire library at their fingertips, whether they are commuting, traveling, or simply enjoying a lazy afternoon at home. Additionally, digital files are easily searchable, enabling readers to locate specific

information within seconds. With a few keystrokes, users can search for keywords, topics, or phrases, making research and finding relevant information a breeze. This efficiency saves time and effort, streamlining the learning process and allowing individuals to focus on extracting the information they need. Furthermore, the availability of free PDF books and manuals fosters a culture of continuous learning. By removing financial barriers, more people can access educational resources and pursue lifelong learning, contributing to personal growth and professional development. This democratization of knowledge promotes intellectual curiosity and empowers individuals to become lifelong learners, promoting progress and innovation in various fields. It is worth noting that while accessing free Mechanical Structural Vibrations Theory Applications PDF books and manuals is convenient and cost-effective, it is vital to respect copyright laws and intellectual property rights. Platforms offering free downloads often operate within legal boundaries, ensuring that the materials they provide are either in the public domain or authorized for distribution. By adhering to copyright laws, users can enjoy the benefits of free access to knowledge while supporting the authors and publishers who make these resources available. In conclusion, the availability of Mechanical Structural Vibrations Theory Applications free PDF books and manuals for download has revolutionized the way we access and consume knowledge. With just a few clicks, individuals can explore a vast collection of resources across different disciplines, all free of charge. This accessibility empowers individuals to become lifelong learners, contributing to personal growth, professional development, and the advancement of society as a whole. So why not unlock a world of knowledge today? Start exploring the vast sea of free PDF books and manuals waiting to be discovered right at your fingertips.

FAQs About Mechanical Structural Vibrations Theory Applications Books

1. Where can I buy Mechanical Structural Vibrations Theory Applications books? Bookstores: Physical bookstores like Barnes & Noble, Waterstones, and independent local stores. Online Retailers: Amazon, Book Depository, and various online bookstores offer a wide range of books in physical and digital formats.
2. What are the different book formats available? Hardcover: Sturdy and durable, usually more expensive. Paperback: Cheaper, lighter, and more portable than hardcovers. E-books: Digital books available for e-readers like Kindle or software like Apple Books, Kindle, and Google Play Books.
3. How do I choose a Mechanical Structural Vibrations Theory Applications book to read? Genres: Consider the genre you enjoy (fiction, non-fiction, mystery, sci-fi, etc.). Recommendations: Ask friends, join book clubs, or explore online reviews and recommendations. Author: If you like a particular author, you might enjoy more of their work.

4. How do I take care of Mechanical Structural Vibrations Theory Applications books? Storage: Keep them away from direct sunlight and in a dry environment. Handling: Avoid folding pages, use bookmarks, and handle them with clean hands. Cleaning: Gently dust the covers and pages occasionally.
5. Can I borrow books without buying them? Public Libraries: Local libraries offer a wide range of books for borrowing. Book Swaps: Community book exchanges or online platforms where people exchange books.
6. How can I track my reading progress or manage my book collection? Book Tracking Apps: Goodreads, LibraryThing, and Book Catalogue are popular apps for tracking your reading progress and managing book collections. Spreadsheets: You can create your own spreadsheet to track books read, ratings, and other details.
7. What are Mechanical Structural Vibrations Theory Applications audiobooks, and where can I find them? Audiobooks: Audio recordings of books, perfect for listening while commuting or multitasking. Platforms: Audible, LibriVox, and Google Play Books offer a wide selection of audiobooks.
8. How do I support authors or the book industry? Buy Books: Purchase books from authors or independent bookstores. Reviews: Leave reviews on platforms like Goodreads or Amazon. Promotion: Share your favorite books on social media or recommend them to friends.
9. Are there book clubs or reading communities I can join? Local Clubs: Check for local book clubs in libraries or community centers. Online Communities: Platforms like Goodreads have virtual book clubs and discussion groups.
10. Can I read Mechanical Structural Vibrations Theory Applications books for free? Public Domain Books: Many classic books are available for free as they're in the public domain. Free E-books: Some websites offer free e-books legally, like Project Gutenberg or Open Library.

Find Mechanical Structural Vibrations Theory Applications :

[explore learning solar system answer key](#)

[exploring psychology in highschool study guide answer](#)

[export and import guide](#)

eye pathology an illustrated guide

explore learning gizmo answer key phase changes

explore learning weather maps gizmo answers

eye or round roast bee recipe

[exponential growth and decay worksheets](#)

exploring science 8 test paper answer

[exploring chemical analysis solutions manual 5th edition](#)

exponential matching tesccc

[external parts of a dairy cow diagram](#)

[exploring science copy master file 5](#)

exponents and division answer key

exploring similarity geometry hs mathematics unit 04 lesson 03

Mechanical Structural Vibrations Theory Applications :

pandora death in the family my struggle 1 karl ove - Mar 01 2022

web death in the family my struggle 1 karl ove knausgaard vintage uk 9780099555162 kitap

death in the family my struggle book 1 ses cd si - Jun 04 2022

web death in the family my struggle book 1 knausgaard karl ove amazon com tr kitap

min kamp 1 min kamp 1 by karl ove knausgård goodreads - Aug 18 2023

web jan 1 2009 42 676 ratings4 375 reviews romanen åpner med en svimlende beskrivelse av døden derfra fortelles det om forfatteren karl ove knausgårds kamp for å mestre livet og seg selv og sine egne ambisjoner på skringens vegne i møte med de menneskene han har rundt seg min kamp

my struggle knausgård novels wikipedia - Sep 07 2022

web my struggle norwegian min kamp is a series of six autobiographical novels written by karl ove knausgård and published between 2009 and 2011 the books cover his private life and thoughts and unleashed a media frenzy upon their release with journalists attempting to track down the mentioned members of his family

a death in the family my struggle book 1 karl ove knausgaard - Apr 14 2023

web mar 1 2012 a death in the family my struggle book 1 karl ove knausgaard random house mar 1 2012 fiction 496 pages one of the guardian s 100 best books of the 21st century an addictive and

a death in the family the my struggle series book 1 by karl - Apr 02 2022

web mar 18 2013 about the author karl ove knausgaard s first novel out of the world was the first ever debut novel to win the norwegian critics prize his second novel a time to every purpose under heaven was widely acclaimed a death in the family the first instalment in the epic my struggle cycle was awarded the prestigious brage award and

a death in the family my struggle book 1 kindle edition - May 15 2023

web mar 1 2012 karl ove knausgård a death in the family my struggle book 1 kindle edition by karl ove knausgaard author

don bartlett translator format kindle edition 1 181 ratings book 1 of 6 my struggle kindle 9 99 read with our free app audiobook 0 00 free with your audible trial

death in the family a my struggle book 1 - Mar 13 2023

web amazon in buy death in the family a my struggle book 1 book online at best prices in india on amazon in read death in the family a my struggle book 1 book reviews author details and more at amazon in free delivery on qualified orders

a death in the family penguin books uk - Jan 11 2023

web karl ove knausgaard s my struggle cycle has been heralded as a masterpiece all over the world from a death in the family to the end the novels move through childhood into adulthood and together form an enthralling portrait of human life knausgaard has been awarded the norwegian critics prize for literature the brage prize and the

a death in the family my struggle book 1 kağıt kapak - Nov 09 2022

web a death in the family my struggle book 1 knausgaard karl ove bartlett don amazon com tr kitap

amazon com my struggle book 1 a death in the family audible - Aug 06 2022

web audio cd 19 46 2 new from 19 46 karl ove knausgaard writes about his childhood and teenage years his infatuation with rock music his relationship with his loving yet almost invisible mother and his distant and unpredictable father and his bewilderment and grief on his father s death

karl ove knausgaard my struggle book one a death in the family - Jul 17 2023

web jun 23 2021 book one of the series a death in the family has two parts the first begins with a small essay on how modern society conspires to conceal death from our awareness before flashing back to the author s childhood experience of seeing a face emerge from the sea on a tv news report about a sunken fishing boat and its drowned

a death in the family my struggle book 1 hive co uk - Feb 12 2023

web a death in the family my struggle book 1 one of the guardian s 100 best books of the 21st century an addictive and searingly honest novel about childhood family and grief karl ove knausgaard s dazzling new novel the morning

a death in the family my struggle part 1 my struggle book 1 my - Jul 05 2022

web a death in the family my struggle part 1 my struggle book 1 my struggle 1 beim zvb com isbn 10 0099555166 isbn 13 9780099555162 random h 2013 softcover

a death in the family my struggle book 1 my struggle 1 - May 03 2022

web a death in the family my struggle book 1 my struggle 1 paperback 7 mar 2013 english edition by karl ove knausgaard autor don bartlett Übersetzer

a death in the family my struggle book 1 kindle edition - Oct 08 2022

web a death in the family the first of the my struggle cycle of novels was awarded the prestigious brage award the my

struggle cycle has been heralded as a masterpiece wherever it appears

a death in the family my struggle book 1 hardcover - Dec 10 2022

web in this utterly remarkable novel karl ove knausgaard writes with painful honesty about his childhood and teenage years his infatuation with rock music his relationship with his loving yet almost invisible mother and his distant and unpredictable father and his bewilderment and grief on his father s death

a death in the family my struggle 1 karl ove knausgaard - Jun 16 2023

web a death in the family my struggle 1 karl ove knausgaard kitabı en iyi fiyatla burada tıkla a death in the family my struggle 1 karl ove knausgaard eserini hızlı ve kolay bir şekilde satın al

a death in the family my struggle book 1 my struggle 1 - Sep 19 2023

web buy a death in the family my struggle book 1 my struggle 1 1 by knausgaard karl ove bartlett don isbn 9780099555162 from amazon s book store everyday low prices and free delivery on eligible orders

a death in the family my struggle book 1 paperback - Jan 31 2022

web the two parts between them cover events early in the life of karl ove including his attempt to get to a new year s party and get drunk as a teenager his first encounters with girls and in the second part his life as a writer in sweden with his heavily pregnant wife and his intention to write a new kind of book and then most memorably the

aqa a level biol3 practical 2014 pdf uniport edu - Mar 05 2022

web aqa a level biol3 practical 2014 1 13 downloaded from uniport edu ng on may 31 2023 by guest aqa a level biol3 practical 2014 when somebody should go to the ebook stores search introduction by shop shelf by shelf it is really problematic this is why we present the book compilations in this website it will certainly ease you to look guide

aqa biology a level practical skills pmt physics maths tutor - May 19 2023

web this topic is included in as paper 1 and paper 2 and a level paper 1 paper 2 and paper 3 for aqa biology

aqa science as and a level biology - Jan 15 2023

web as and a level biology 7401 7402 find all the information support and resources you need to deliver our specification teaching from september 2015

aqa a level biol3 practical 2014 ai classmonitor - Aug 22 2023

web 4 aqa a level biol3 practical 2014 2022 03 13 breakdown of what the test is and what s on it management of care safety and infection control health promotion and maintenance psychosocial integrity basic care and comfort pharmacological and parenteral therapies reduction of risk potential physiological adaptation practice

aqa a level biol3 practical 2014 pdf admin store motogp - May 07 2022

web 2 aqa a level biol3 practical 2014 2023 08 04 carney neal handbook of biological effects of electromagnetic fields third

edition 2 volume set macmillan this edited book is a collection of 20 articles describing the recent advancements in the application of microbial technology for sustainable development of agriculture and environment

[as and a level biology aqa](#) - Sep 23 2023

web aqa education aqa is a registered charity number 1073334 and a company limited by guarantee registered in england and wales number 3644723 our registered address is aqa devas street manchester m15 6ex 4 of 167 introduction practical work brings science to life helping students make sense of the universe around them

[aqa 3 1 4 a level biology](#) - Apr 06 2022

web what we provide everything that you need to pass a level biology revision notes for aqa cie edexcel a edexcel b edexcel ial ocr wjec eduqas exam question booklets

[required practical measuring enzyme activity 1 4 4 aqa a level](#) - Jun 08 2022

web required practical measuring enzyme activity the progress of enzyme catalysed reactions can be investigated by measuring the rate of formation of a product using catalase measuring the rate of disappearance of a substrate using amylase

[aqa a level biol3 practical 2014 2023 graph safehousetech](#) - Oct 12 2022

web aqa a level biol3 practical 2014 5 5 provides an overview of the main groups of eukaryotic microbes and presents classic and cutting edge research on content relating to fungi and protists including chapters on yeasts algal blooms lichens and intestinal protozoa this concise and affordable book is an essential reference for students and

[aqa a level biol3 practical 2014 pdf uniport edu](#) - Sep 11 2022

web aug 3 2023 said the aqa a level biol3 practical 2014 is universally compatible gone any devices to read high throughput metabolomics angelo d alessandro 2020 06 06 this detailed volume focuses on recent technological computational and biostatistical advances in the field of high throughput metabolomics

[aqa as and a level biology a level practical assessment](#) - Jul 21 2023

web nov 26 2021 students will answer questions in the as and a level exam papers that assess the requirements of appendix 5a practical skills identified for indirect assessment and developed through teaching and learning from the prescribed subject content published by the department for education dfe

[required practical 4 past paper questions a level biology aqa](#) - Aug 10 2022

web jul 24 2020 subject biology age range 16 resource type worksheet activity file previews rtf 1 87 mb past paper questions from aqa cell membranes this is part of the cells section of the syllabus mark scheme at the end of the document can be used in conjunction with the following content you tube chqn2s5jg94

[aqa a level biol3 practical 2014 copy api 2 crabplace](#) - Feb 04 2022

web aqa a level biol3 practical 2014 1 aqa a level biol3 practical 2014 academic writing for graduate students the aid program the feeling of life itself handbook of cell biosensors hydrogenosomes and mitosomes mitochondria of anaerobic eukaryotes advanced practice nursing advanced health assessment and differential diagnosis

aqa a level biol3 practical 2014 mary jones download only - Nov 13 2022

web of this aqa a level biol3 practical 2014 can be taken as capably as picked to act as biology for aqa specification b christine lea 2000 this accessible text has been designed to help students make the step up from gcse to a level the student book is presented in a double page spread format making it both familiar and easy to

[aqa a level biology revision pmt physics maths tutor](#) - Apr 18 2023

web practical skills revision for aqa biology as and a level papers including summary notes worksheets and past exam questions for each topic

[aqa as and a level biology teaching resources](#) - Mar 17 2023

web mar 4 2016 practical handbooks showing 2 results practical handbook combined

aqa as and a level biology specification at a glance - Dec 14 2022

web nov 26 2021 1 biological molecules 2 cells 3 organisms exchange substances with their environment 4 genetic information variation and relationships between organisms 5 energy transfers in and between organisms a level only 6 organisms respond to changes in their internal and external environments a level only

aqa a level biol3 practical 2014 pdf - Jun 20 2023

web aqa a level biol3 practical 2014 lewin s genes x may 01 2020 the fields of molecular biology and molecular genetics is rapidly changing with new data acquired daily and new insights into well studied processes presented on a scale of weeks or months rather than years for decades lewin s genes has provided the teaching community

biology a level required practical 3 investigating water quizlet - Feb 16 2023

web the higher the solute concentration then the lower the water potential outline the procedure of investigating osmosis using potato tissue 1 make a simple dilution of 1m sucrose to produce 5 concentrations add 5cm³ to 5 different test tubes 2 cut a potato into equal size chips and weigh 3 place a chip in each test tube and leave for 20

aqa a level biol3 practical 2014 pdf uniport edu - Jul 09 2022

web sep 16 2023 now is aqa a level biol3 practical 2014 below nano and biocomposites alan kin tak lau 2009 08 20 advanced polymer based nanocomposite materials continue to become increasingly popular and important for a wide range of engineering applications as evidenced by continued government initiatives involving r d and commercialization of

isi perjanjian afta virtualevents straumann com - Oct 28 2021

web sep 15 2023 isi perjanjian afta 1 1 downloaded from uniport edu ng on september 15 2023 by guest isi perjanjian afta

eventually you will no question discover a

asean free trade area wikipedia - Apr 14 2023

web dec 9 2022 apakah detikers tahu apa itu afta afta merupakan singkatan dari asean free trade area afta adalah kerja sama perdagangan di antara negara negara asia

isi perjanjian afta - Jan 31 2022

web may 22 2023 isi perjanjian afta pembentukan cept ditujukan untuk memperlancar kinerja asean free trade area afta isi afta tidak hanya penurunan tarif saja dalam

afta kepanjangan latar belakang dan manfaatnya detikcom - Jun 16 2023

web afta sumber dosenpendidikan id afta adalah singkatan dari asean free trade area yang dalam bahasa indonesia berarti kawasan perdagangan bebas asean

isi perjanjian afta pqr uiaf gov co - May 03 2022

web nov 16 2020 1 hampir satu dekade setelah melalui proses hampir satu dekade perundingan kerja sama tersebut akhirnya dapat diselesaikan presiden joko widodo

asean free trade area afta sejarah tujuan dan - Sep 19 2023

perdagangan bebas yang dianut banyak negara di dunia tak dapat dihindari oleh negara negara di asia tenggara konsep free trade area lahir untuk mempermudah dan meningkatkan perdagangan di antara negara negara di asia tenggara baca juga tujuan asean dikutip dari situs asean see more

isi perjanjian afta acmwap2021 national u edu - Aug 06 2022

web aug 25 2018 cafta china asean free trade agreement merupakan perjanjian antara cina dan negara negara asean mengenai penjualan penjualan produk cina

perjanjian negara negara asean dalam - Jan 11 2023

web scientific rev by redaksi haloedukasi daftar isi tutup pengertian afta latar belakang dibentuknya afta anggota afta tujuan dibentuknya afta dampak afta bagi

kawasan perdagangan bebas asean wikipedia bahasa - May 15 2023

web oct 31 2022 kompas com asean free trade area afta merupakan perwujudan kesepakatan dari negara asia tenggara untuk membentuk kawasan perdagangan

isi perjanjian afta - Jul 05 2022

web isi perjanjian afta asean free trade area afta merupakan perjanjian antara negara negara negara negara yang tidak konsisten pada afta terlebih lagi didalam isi daftar

afta pengertian tujuan dan dampaknya haloedukasi com - Feb 12 2023

web the asean free trade area afta is a trade bloc agreement by the association of southeast asian nations supporting local trade and manufacturing in all asean

isi perjanjian afta uniport edu ng - Dec 30 2021

web isi perjanjian afta isi perjanjian afta bab ii hukum persaingan usaha di asean 2 1 definisi kawasan perdagangan bebas asean afta hubungan hukum

sejarah dan isi perjanjian cafta perdagangan bebas kawasan - Sep 07 2022

web isi perjanjian afta 1 program pengurangan tingkat tarif yang secara efektif sama di antara negara negara asean hingga mencapai 0 5 persen 2 penghapusan hambatan

nafta sejarah tujuan isi hingga perubahan nama detikcom - Apr 02 2022

web merely said the isi perjanjian afta is universally compatible with any devices to read the future of asean hassanal bolkiah 2014 the singapore lecture series was

afta perjanjian perdangangan bebas negara asean - Aug 18 2023

afta bertujuan menjadikan kawasan asean sebagai tempat produksi yang kompetitif sehingga produk produk asean memiliki see more

pengertian afta beserta sejarah tujuan - Mar 13 2023

kawasan perdagangan bebas asean asean free trade area atau afta ialah perjanjian perdagangan bebas yang dibuat oleh persatuan negara negara asia tenggara asean untuk pengeluaran tempatan semua negara negara yang terlibat ketika perjanjian afta ditandatangani secara rasmi asean memiliki enam buah negara anggota iaitu brunei indonesia malaysia filipina singapura dan thailand vietnam bergabung dal

bab 2 ketentuan pokok dalam kesepakatan afta - Nov 09 2022

web jan 17 2022 kompas com asean free trade area atau disingkat afta adalah perjanjian perdagangan bebas antara negara negara asean afta dibentuk pada 28

isi perjanjian afta secure4 khronos - Mar 01 2022

web jan 25 2022 isi perjanjian nafta seperti perjanjian perdagangan bebas lainnya yang mengatur tentang berbagai fasilitas perdagangan tarif investasi hak kekayaan

asean free trade area afta latar belakang dan tujuannya - Jul 17 2023

dengan afta negara negara di asean masih bisa memberlakukan tarif terhadap barang barang impor namun khusus barang barang impor dari sesama asean tarifnya ditekan menjadi 0 sampai 5 persen saja see more

isi perjanjian afta uniport edu ng - Nov 28 2021

web aug 5 2023 isi perjanjian afta 1 6 downloaded from uniport edu ng on august 5 2023 by guest isi perjanjian afta as

recognized adventure as capably as experience just about

afta dan afcta perjanjian perdagangan - Oct 08 2022

web ketentuan pokok dalam kesepakatan afta dan kebijakan indonesia dalam implementasinya selama periode 1992 2003 2 1 proses terbentuknya

negara negara anggota afta kompas com - Dec 10 2022

web perjanjian negara negara asean dalam pembentukan kawasan perdagangan bebas asean asean free trade area abstrak kawasan perdagangan bebas asean asean free

5 fakta tentang rcep perjanjian perdagangan terbesar di - Jun 04 2022

web april 21st 2018 isi perjanjian afta 1 program pengurangan tingkat tarif yang secara efektif sama di antara negara negara asean hingga mencapai 0 5 persen 2