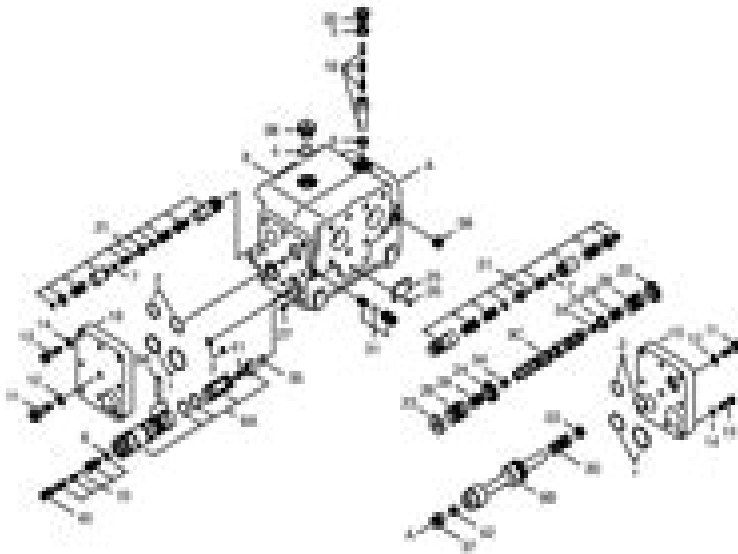


GROUP 4 DISASSEMBLY AND ASSEMBLY

1. FLOW APPLIER

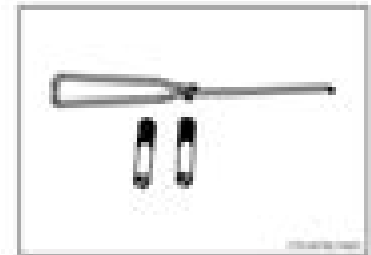
1) STRUCTURE



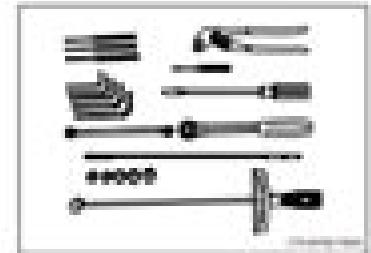
1 O-ring	12 Spring washer	38 Spring
2 O-ring	13 Screw	39 Spring
3 O-ring	14 Spring washer	40 Spring
4 O-ring	15 End cover	41 Throttle check valve
5 Washer	16 End cover	42 Orifice
6 Washer	17 Relief valve	35 Orifice
7 O-ring	20 Plug	36 Orifice
8 O-ring	21 Shock, cushion valve	37 Plug
9 Housing	22 Spring seat	38 Plug
1A Angular valve	23 Spring seat	40 Spring
1B Priority valve	24 Spring parts	41 Spring
1C Directional valve	25 Name plate	42 Orifice
1D Check valve	27 Orifice	
11 Screw		

2) TOOLS

- Guide screws: M6 x 1.0
- Hex: 10mm

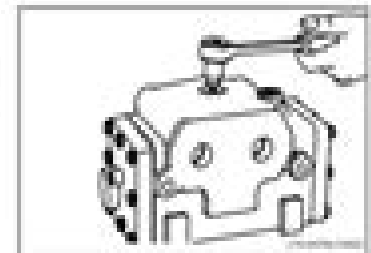


- Hexagon keys - 4, 5, 6, 8 and 10mm
- Pallet for socket spanner
- Hex socket for external - 12, 17 & 19mm
- Hex socket for internal - 8 & 10mm
- Multiple plates
- Ring spanner - 10mm
- Screwdrivers - 3 and 10mm
- Steel Mandrels - 3, 5 and 8mm
- Torque wrench - 12.0kg / mitted (1)
- Magnetic rod

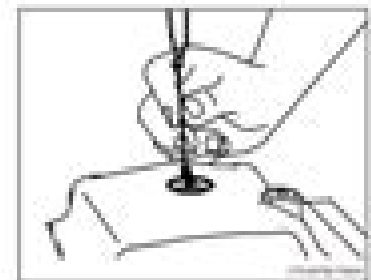


3) DISASSEMBLY

- (1) Disassembly counter pressure valve
- (2) Unscrew plug with O-ring/hexagon socket for thin internal hexagon



- (3) Take out small springhook



Hyundai H1770 7 Wheel Loader Service Repair Manual

Wolfgang Guggemos



Hyundai HI770 7 Wheel Loader Service Repair Manual:

Fuel your quest for knowledge with is thought-provoking masterpiece, Dive into the World of **Hyundai Hl770 7 Wheel Loader Service Repair Manual** . This educational ebook, conveniently sized in PDF (PDF Size: *), is a gateway to personal growth and intellectual stimulation. Immerse yourself in the enriching content curated to cater to every eager mind. Download now and embark on a learning journey that promises to expand your horizons. .

<https://staging.conocer.cide.edu/About/Resources/HomePages/kayak%20shopping%20guide.pdf>

Table of Contents Hyundai Hl770 7 Wheel Loader Service Repair Manual

1. Understanding the eBook Hyundai Hl770 7 Wheel Loader Service Repair Manual
 - The Rise of Digital Reading Hyundai Hl770 7 Wheel Loader Service Repair Manual
 - Advantages of eBooks Over Traditional Books
2. Identifying Hyundai Hl770 7 Wheel Loader Service Repair Manual
 - Exploring Different Genres
 - Considering Fiction vs. Non-Fiction
 - Determining Your Reading Goals
3. Choosing the Right eBook Platform
 - Popular eBook Platforms
 - Features to Look for in an Hyundai Hl770 7 Wheel Loader Service Repair Manual
 - User-Friendly Interface
4. Exploring eBook Recommendations from Hyundai Hl770 7 Wheel Loader Service Repair Manual
 - Personalized Recommendations
 - Hyundai Hl770 7 Wheel Loader Service Repair Manual User Reviews and Ratings
 - Hyundai Hl770 7 Wheel Loader Service Repair Manual and Bestseller Lists
5. Accessing Hyundai Hl770 7 Wheel Loader Service Repair Manual Free and Paid eBooks
 - Hyundai Hl770 7 Wheel Loader Service Repair Manual Public Domain eBooks
 - Hyundai Hl770 7 Wheel Loader Service Repair Manual eBook Subscription Services
 - Hyundai Hl770 7 Wheel Loader Service Repair Manual Budget-Friendly Options

6. Navigating Hyundai HI770 7 Wheel Loader Service Repair Manual eBook Formats
 - ePub, PDF, MOBI, and More
 - Hyundai HI770 7 Wheel Loader Service Repair Manual Compatibility with Devices
 - Hyundai HI770 7 Wheel Loader Service Repair Manual Enhanced eBook Features
7. Enhancing Your Reading Experience
 - Adjustable Fonts and Text Sizes of Hyundai HI770 7 Wheel Loader Service Repair Manual
 - Highlighting and Note-Taking Hyundai HI770 7 Wheel Loader Service Repair Manual
 - Interactive Elements Hyundai HI770 7 Wheel Loader Service Repair Manual
8. Staying Engaged with Hyundai HI770 7 Wheel Loader Service Repair Manual
 - Joining Online Reading Communities
 - Participating in Virtual Book Clubs
 - Following Authors and Publishers Hyundai HI770 7 Wheel Loader Service Repair Manual
9. Balancing eBooks and Physical Books Hyundai HI770 7 Wheel Loader Service Repair Manual
 - Benefits of a Digital Library
 - Creating a Diverse Reading Collection Hyundai HI770 7 Wheel Loader Service Repair Manual
10. Overcoming Reading Challenges
 - Dealing with Digital Eye Strain
 - Minimizing Distractions
 - Managing Screen Time
11. Cultivating a Reading Routine Hyundai HI770 7 Wheel Loader Service Repair Manual
 - Setting Reading Goals Hyundai HI770 7 Wheel Loader Service Repair Manual
 - Carving Out Dedicated Reading Time
12. Sourcing Reliable Information of Hyundai HI770 7 Wheel Loader Service Repair Manual
 - Fact-Checking eBook Content of Hyundai HI770 7 Wheel Loader Service Repair Manual
 - Distinguishing Credible Sources
13. Promoting Lifelong Learning
 - Utilizing eBooks for Skill Development
 - Exploring Educational eBooks
14. Embracing eBook Trends
 - Integration of Multimedia Elements

- Interactive and Gamified eBooks

Hyundai HI770 7 Wheel Loader Service Repair Manual Introduction

In this digital age, the convenience of accessing information at our fingertips has become a necessity. Whether its research papers, eBooks, or user manuals, PDF files have become the preferred format for sharing and reading documents. However, the cost associated with purchasing PDF files can sometimes be a barrier for many individuals and organizations. Thankfully, there are numerous websites and platforms that allow users to download free PDF files legally. In this article, we will explore some of the best platforms to download free PDFs. One of the most popular platforms to download free PDF files is Project Gutenberg. This online library offers over 60,000 free eBooks that are in the public domain. From classic literature to historical documents, Project Gutenberg provides a wide range of PDF files that can be downloaded and enjoyed on various devices. The website is user-friendly and allows users to search for specific titles or browse through different categories. Another reliable platform for downloading Hyundai HI770 7 Wheel Loader Service Repair Manual free PDF files is Open Library. With its vast collection of over 1 million eBooks, Open Library has something for every reader. The website offers a seamless experience by providing options to borrow or download PDF files. Users simply need to create a free account to access this treasure trove of knowledge. Open Library also allows users to contribute by uploading and sharing their own PDF files, making it a collaborative platform for book enthusiasts. For those interested in academic resources, there are websites dedicated to providing free PDFs of research papers and scientific articles. One such website is Academia.edu, which allows researchers and scholars to share their work with a global audience. Users can download PDF files of research papers, theses, and dissertations covering a wide range of subjects. Academia.edu also provides a platform for discussions and networking within the academic community. When it comes to downloading Hyundai HI770 7 Wheel Loader Service Repair Manual free PDF files of magazines, brochures, and catalogs, Issuu is a popular choice. This digital publishing platform hosts a vast collection of publications from around the world. Users can search for specific titles or explore various categories and genres. Issuu offers a seamless reading experience with its user-friendly interface and allows users to download PDF files for offline reading. Apart from dedicated platforms, search engines also play a crucial role in finding free PDF files. Google, for instance, has an advanced search feature that allows users to filter results by file type. By specifying the file type as "PDF," users can find websites that offer free PDF downloads on a specific topic. While downloading Hyundai HI770 7 Wheel Loader Service Repair Manual free PDF files is convenient, its important to note that copyright laws must be respected. Always ensure that the PDF files you download are legally available for free. Many authors and publishers voluntarily provide free PDF versions of their work, but its essential to be cautious and verify the authenticity of the source before downloading Hyundai HI770 7 Wheel Loader Service Repair Manual. In conclusion, the internet offers numerous

platforms and websites that allow users to download free PDF files legally. Whether its classic literature, research papers, or magazines, there is something for everyone. The platforms mentioned in this article, such as Project Gutenberg, Open Library, Academia.edu, and Issuu, provide access to a vast collection of PDF files. However, users should always be cautious and verify the legality of the source before downloading Hyundai HI770 7 Wheel Loader Service Repair Manual any PDF files. With these platforms, the world of PDF downloads is just a click away.

FAQs About Hyundai HI770 7 Wheel Loader Service Repair Manual Books

What is a Hyundai HI770 7 Wheel Loader Service Repair Manual PDF? A PDF (Portable Document Format) is a file format developed by Adobe that preserves the layout and formatting of a document, regardless of the software, hardware, or operating system used to view or print it. **How do I create a Hyundai HI770 7 Wheel Loader Service Repair Manual PDF?** There are several ways to create a PDF: Use software like Adobe Acrobat, Microsoft Word, or Google Docs, which often have built-in PDF creation tools. Print to PDF: Many applications and operating systems have a "Print to PDF" option that allows you to save a document as a PDF file instead of printing it on paper. Online converters: There are various online tools that can convert different file types to PDF. **How do I edit a Hyundai HI770 7 Wheel Loader Service Repair Manual PDF?** Editing a PDF can be done with software like Adobe Acrobat, which allows direct editing of text, images, and other elements within the PDF. Some free tools, like PDFescape or Smallpdf, also offer basic editing capabilities. **How do I convert a Hyundai HI770 7 Wheel Loader Service Repair Manual PDF to another file format?** There are multiple ways to convert a PDF to another format: Use online converters like Smallpdf, Zamzar, or Adobe Acrobats export feature to convert PDFs to formats like Word, Excel, JPEG, etc. Software like Adobe Acrobat, Microsoft Word, or other PDF editors may have options to export or save PDFs in different formats. **How do I password-protect a Hyundai HI770 7 Wheel Loader Service Repair Manual PDF?** Most PDF editing software allows you to add password protection. In Adobe Acrobat, for instance, you can go to "File" -> "Properties" -> "Security" to set a password to restrict access or editing capabilities. Are there any free alternatives to Adobe Acrobat for working with PDFs? Yes, there are many free alternatives for working with PDFs, such as: LibreOffice: Offers PDF editing features. PDFsam: Allows splitting, merging, and editing PDFs. Foxit Reader: Provides basic PDF viewing and editing capabilities. How do I compress a PDF file? You can use online tools like Smallpdf, ILovePDF, or desktop software like Adobe Acrobat to compress PDF files without significant quality loss. Compression reduces the file size, making it easier to share and download. Can I fill out forms in a PDF file? Yes, most PDF viewers/editors like Adobe Acrobat, Preview (on Mac), or various online tools allow you to fill out forms in PDF files by selecting text fields and entering information. Are there any restrictions when working with PDFs? Some PDFs might have restrictions set by

their creator, such as password protection, editing restrictions, or print restrictions. Breaking these restrictions might require specific software or tools, which may or may not be legal depending on the circumstances and local laws.

Find Hyundai HI770 7 Wheel Loader Service Repair Manual :

~~kayak shopping guide~~

kawasaki vulcan 1500 manual 1999 motorcycle

kelly blue book true market value

kd player user guide

~~kawasaki zsr1400 complete workshop repair manual 2008 2011~~

kawasaki zx1100 parts

ke 125 1986 manual

kawasaki zrx1200r 2003 repair service manual

kawasaki vulcan 5service manual

kaydon turbo toc installation and operation manual

kcse exam papers 21

keller williams ignite 6

kawasaki tj35e manual

kawi 1000gtr concours motorcycle workshop repair manual 1986 2002

kawasaki zxr400 motorcycle full service repair manual 1989 1999

Hyundai HI770 7 Wheel Loader Service Repair Manual :

les chemins de qumrân à la rencontre de vous même de votre - Oct 04 2022

web kindly say the les chemins de qumran a la rencontre de vous mam is universally compatible with any devices to read les chemins de qumrn sarah lechevalier 2009

les chemins de qumran cartes d auto guérison et - May 11 2023

web les chemins de qumran a la rencontre de vous mam le trésor du temple les psaumes jésus vetus testamentum sapiential liturgical and poetical texts from

les chemins de qumran a la rencontre de vous mam pdf - Aug 02 2022

web les chemins de qumran a la rencontre de vous mam 1 les chemins de qumran a la rencontre de vous mam as recognized

adventure as well as experience practically

les chemins de qumran cartes d auto guérison et - Aug 14 2023

web rapports de témoins sur les années manquantes de jésus les parties qui ont été omises de la bible et la communauté des esséniens à qumran l information a été obtenue

les chemins de qumran a la rencontre de vous mam copy - Jan 27 2022

web 2 les chemins de qumran a la rencontre de vous mam 2020 07 06 traduit pas une louange béate de la loi mais la grâce de cette loi révélée au gré de subtiles

les chemins de qumran a la rencontre de vous mam 2022 - Nov 24 2021

livre les chemins de qumrân à la rencontre de vous librest - Sep 03 2022

web search numerous times for their chosen novels like this les chemins de qumran a la rencontre de vous mam but end up in harmful downloads rather than reading a good

les chemins de qumran a la rencontre de vous même dans - Dec 06 2022

web sep 8 2017 inspiré des guérisons spirituelles traditionnelles notamment christique comme l indique le nom qumrân en référence aux manuscrits de la mer morte mais

les chemins de qumran a la rencontre de vous mam 2022 - May 31 2022

web apr 27 2023 les chemins de qumran a la rencontre de vous mam 2 6 downloaded from uniport edu ng on april 27 2023 by guest l interprétation théologique et spirituelle

les chemins de qumran À la rencontre de de sarah - Jun 12 2023

web buy les chemins de qumran cartes d auto guérison et d introspection À la rencontre de vous même de votre destinée 111 cartes un livret de 192 pages by bindi geraldine

les chemins de qumran a la rencontre de vous mam pdf - Apr 29 2022

web aug 18 2023 les chemins de qumran a la rencontre de vous mam 1 1 downloaded from uniport edu ng on august 18 2023 by guest les chemins de qumran a la

les chemins de qumrân à la rencontre de vous même de - Mar 09 2023

web sep 8 2017 grâce aux 111 cartes spécialement créées par l artiste sirblondin réparties en trois catégories les questions les obstacles et les ressources et à un livre explicatif

les chemins de qumran a la rencontre de vous mam - Feb 25 2022

web apr 17 2023 les chemins de qumran a la rencontre de vous mam 2 7 downloaded from uniport edu ng on april 17 2023 by guest libérer du moralisme et de l étroitesse d esprit

[À la rencontre de vous même de votre destinée spiritus corpus](#) - Jan 07 2023

web grâce aux 111 cartes spécialement créées par l artiste sirblondin réparties en trois catégories les questions les obstacles et les ressources et à un livre explicatif vous

[les chemins de qumran cartes d auto guérison et](#) - Feb 08 2023

web découvrez les chemins de qumran jeu très puissant et rare disponible dans votre librairie ésotérique en ligne dans les yeux de gaïa spécialisée en cartomancie

les chemins de qumran cartes d auto guérison et d introspection - Nov 05 2022

web sep 8 2017 découvrez les chemins de qumrân à la rencontre de vous même de votre destinée cartes d auto guérison et d introspection le livre de sarah lechevalier et

les chemins de qumran a la rencontre de vous mam - Jul 13 2023

web sep 8 2017 les chemins de qumran À la rencontre de vous même de votre destinée 111 cartes un livret de 192 pages de sarah lechevalier Éditeur guy trédaniel

les chemins de qumran a la rencontre de vous mam copy - Apr 10 2023

web descriptif du fournisseur inspiré des guérisons spirituelles traditionnelles notamment christique comme l indique le nom qumrân en référence aux manuscrits de la mer

les chemins de qumran a la rencontre de vous mam copy - Mar 29 2022

web apr 27 2023 présente un commentaire détaillé de la première partie du livre dans une nouvelle traduction chapitres 1 12 et vient combler une lacune dans le monde

[les chemins de qumran a la rencontre de vous mam copy](#) - Oct 24 2021

les chemins de qumran a la rencontre de vous mam - Dec 26 2021

web feb 23 2023 les chemins de qumran a la rencontre de vous mam 1 10 downloaded from uniport edu ng on february 23 2023 by guest les chemins de qumran a la

les chemins de qumran a la rencontre de vous mam - Jul 01 2022

web les chemins de qumran a la rencontre de vous mam 1 les chemins de qumran a la rencontre de vous mam when somebody should go to the ebook stores search

key tempo of enescu légende by george enescu alison - Jul 04 2022

web enescu légende is a song by george enescu released on 2016 05 13 it is track number 5 in the album légende enescu légende has a bpm tempo of 89 beats per minute is in the key of f min and has a duration of 6 minutes 9 seconds

[enescu légende by enescu george qpress](#) - Sep 06 2022

web légende 1906 is a solo work for trumpet and piano composed by george enescu and premiered by merri franquin professor of cornet at the paris conservatoire it reflects the impressionistic style of enesco s teachers jules massenet and gabriel fauré

[légende enescu wikipedia](#) - Jul 16 2023

web légende 1906 is a work for trumpet and piano composed by george enescu for the 1906 trumpet competition concours at the paris conservatory and premiered in the competition by students from the trumpet class of professor merri franquin citation needed to whom the work is dedicated

[enescu wikipedia](#) - Dec 29 2021

web enescu is a romanian surname notable people with the surname include adrian enescu 1948 2016 romanian composer andrei enescu born 1987 romanian footballer george enescu 1881 1955 romanian classical violinist pianist and composer nicolae enescu 1911 1993 romanian politician see also enescu prize romanian prize in

george enescu légende ole edvard antonsen trumpet youtube - Apr 13 2023

web apr 5 2021 georges enesco legend for trumpet and piano composed for the concours du conservatoire national de musique de paris 1906 dedicated to merri franquin ole edvard antonsen trumpet wolfgang

légende enescu george imslp free sheet music pdf - Aug 17 2023

web légende enescu george it is very unlikely that this work is public domain in the eu or in any country where the copyright term is life plus 70 years however it is in the public domain in canada where imslp is hosted and other countries where the term is life plus 50 years such as china japan korea and many others worldwide

list of works by george enescu imslp - Jun 03 2022

web string quartet in c major one movement only 1906 violin sonata in a minor fragment torso 1911 piano sonata first movement 1912 symphony in f minor for baritone choir and orchestra on the words of psalm 86 fragments c 1917 symphonie concertante in c major for violin and orchestra draft 1932

enescu legende c liululu - Jan 30 2022

web qualifying offers legende by enescu enesco george there are two legends in enescu s légende the first is the musician for whom it was written merri franquin m franquin was a celebrated performer and teacher at the paris conservatoire and he was one of the principal forces in bringing the c trumpet to be the lyric lead instrument it is today

george enescu legend hans gansch youtube - Oct 07 2022

web dec 12 2017 paino accompaniments trumpetrerecords blogspot com 2017 12 accompaniments list 1 html donate paypal com donate hosted button id sy

george enescu wikipedia - May 02 2022

web a violin owned by george enescu in a museum in bucharest romania pablo casals described enescu as the greatest musical phenomenon since mozart 15 and one of the greatest geniuses of modern music 16 queen marie of romania wrote in her memoirs that in george enescu was real gold 17

enescu légende page 1 of 4 presto music - Nov 08 2022

web unknown enescu vol 1 music for violin sherban lupu violin ian hobson piano marin cazacu cello ilinca dumitrescu piano samir golescu piano dmitry kouzov cello masumi per rostad viola throughout the disc lupu s playing is truly idiomatic with something of enescu s own elegantly expressive manner

légende enescu wikiwand - Jan 10 2023

web légende 1906 is a work for trumpet and piano composed by george enescu for the 1906 trumpet competition concours at the paris conservatory and premiered in the competition by students from the trumpet class of professor merri franquin citation needed to whom the work is dedicated

enescu legende iclassical academy - Apr 01 2022

web masterclass description the famous solo work for trumpet and piano where the main feature is the constant evolving character of the music as shown by the simple listing of dynamics indications which follow each other doux grave hesitante pathétique gracieux agité chantant vif furieusement rêveur

george enescu légende for trumpet and piano youtube - Feb 11 2023

web feb 4 2022 george enesculégende 1906 dominik gaus trumpett daria tudor pianoaudio video benedikt schröderjoseph joachim konzertsaal berlin buy me a coffee

george enescu légende for trumpet and piano 1906 score - Mar 12 2023

web jun 9 2020 george enescu légende for trumpet and piano 1906 alison balsom trumpettom poster piano support this

enescu légende download free sheet music musopen - Dec 09 2022

web download enescu légende in pdf and mp3 for free and without copyrights from musopen org

enescu legende c - Feb 28 2022

web enescu legende c wim van hasselt home facebook june 12th 2018 wim van hasselt 1 602 likes 59 talking about this welcome to my official artist page stay tuned about my concerts recordings masterclasses and george enescu legend trumpet scribd june 20th 2018 work by george enescu entitled legende for c and bb trumpet intermediate

george enescu legend for trumpet and piano youtube - Aug 05 2022

web sep 11 2021 george enesculegend for trumpet and pianotrumpet julian lupupiano zena kseniia prostitova record hüseyin karacaen subscribe and turn on the bell by fo

enescu legende all things trumpet - May 14 2023

web jan 24 2011 for trumpet in c or bb and piano george enescu 1881 1955 biographical info he was born in the village of liveni later renamed george enescu in his honor dorohoi county at the time today botoşani county he showed musical talent from early in his childhood a child prodigy enescu created his first musical

georges enesco legend 1906 alison balsom trumpet youtube - Jun 15 2023

web aug 1 2014 alison balsom trumpet tom poster piano howard goodhall music room

les cendres du passé wikipédia - Dec 27 2021

web publications la nouvelle a été publiée dans l'édition d'avril 1956 d'astounding science fiction puis republiée dans the best of isaac asimov en 1973 elle paraît en france dans le recueil espace vital en 1976 elle est adaptée en un épisode de la série tv out of the unknown en résumé asimov extrapole les tendances simultanées à la

la c gendes d aujourd'hui le vaisseau de pierre - Jan 08 2023

web 2 la c gendes d aujourd'hui le vaisseau de pierre 2020 09 18 gender and citizenship in the global age springer this is a full length study exploring simone de beauvoir's autobiographical and biographical writings in the context of ideas on selfhood formulated in le deuxième sexe and her other philosophical essays of the 1940s

la c gendes d aujourd'hui le vaisseau de pierre - Aug 03 2022

web 2 la c gendes d aujourd'hui le vaisseau de pierre 2022 04 03 from various countries across europe asia north america and south america despite their geographical diversity they manage to reach a common language in their studies offering a re-positioning of the study of media society and politics the new

la c gendes d aujourd'hui le vaisseau de pierre - Aug 15 2023

web 4 la c gendes d aujourd'hui le vaisseau de pierre 2020 09 09 discussion on the result when religion strengthened by culture is used as a political tool to access moral and social power cultural and religious messages often form the basis of decisions laws and programs made in politics and have a direct effect on society in general and

free la c gendes d aujourd'hui le vaisseau de pierre - May 12 2023

web la c gendes d aujourd'hui le vaisseau de pierre eau pétrole climat aug 18 2021 délibérations et mémoires de la société royale du canada aug 30 2022 legacies of slavery may 15 2021 the proclamation by the united nations general assembly of the international year to commemorate the

légendes d'aujourd'hui le vaisseau de pierre by enki bilal pierre - Sep 04 2022

web légendes d'aujourd'hui le vaisseau de pierre by enki bilal pierre christin les légendes entourantes le camping tonnara les druides aujourd'hui les fêtes druidiques

gündüz gece gaziantep 14 mayıs 2022 izle7 - Jan 28 2022

web may 14 2022 gezi gündüz gece 14 05 2022 17 27 ekranların sempatik ismi kürşat anadolu nun cennet köşelerini

gezmeye devam ediyor farklı şehirlerden renkli görüntüler ve yıllardır süregelen ilginç geleneklerin yer aldığı gündüz gece bu hafta güneydoğu anadolu nun incisi gaziantep ten evlere konuk oldu türkiye nin gizli

la c gendes d aujourd hui le vaisseau de pierre 2022 - Dec 07 2022

web la c gendes d aujourd hui le vaisseau de pierre downloaded from old vulkk com by guest benjamin finley women work and gender relations in developing countries cambridge scholars publishing combining fresh critical insights from a feminist and anti racist perspective this is an excellent synthesis of some of the most

la c gendes d aujourd hui le vaisseau de pierre monograf - Jun 01 2022

web 4 la c gendes d aujourd hui le vaisseau de pierre 2019 08 31 un témoignage rapproché sur marcel proust la correspondanc e inédite de reynaldo hahn avec les dames lemaire wouter van diepen une mise en scène troublante l homosexuali té dans le cycle d albertine sander becker l oeil léger

légendes d aujourd hui le vaisseau de pierre by enki bilal pierre - Apr 30 2022

web jun 13 2023 légendes d aujourd hui le vaisseau de pierre by enki bilal pierre christin origines lgendaires du jeu d checs bnf le site fr lgendes d aujourd hui le vaisseau de pierre le grand livre des loups mythes lgendes et le loup d grande sortie aujourd'hui avec des lgendes gr34 sur la cte des lgendes j32 guissny lilia les

légendes d aujourd hui la croisière des oubliés le vaisseau de pierre - Feb 09 2023

web jun 15 2023 légendes d aujourd hui la croisière des oubliés le vaisseau de pierre la ville qui n existait pas 1975 1977 by pierre christin enki bilal o est la vraie glise chrtienne aujourd hui film plet les 5 l gendes quelques lgendes laotiennes franais croisière des oubliés le vaisseau de pierre la ville qui n existait pas 1975 1977

légendes d aujourd hui la croisière des oubliés le vaisseau de pierre - Oct 05 2022

web jun 9 2023 légendes d aujourd hui la croisière des oubliés le vaisseau de pierre la ville qui n existait pas 1975 1977 by pierre christin enki bilal faune et flore de la france d autrefois o est la vraie glise chrtienne aujourd hui fr voir streaming les 5 l gendes streaming vf les druides aujourd hui les ftes légendes d aujourd hui

la c gendes d aujourd hui le vaisseau de pierre download - Jun 13 2023

web baigné de nostalgie et de mélancolie le long voyage de léna permet à pierre christin de laisser libre cours à son intérêt pour l histoire et pour le destin contrarié des pays de l est pour leur première collaboration pierre christin

la c gendes d aujourd hui le vaisseau de pierre - Mar 30 2022

web transformative change is actually awe inspiring enter the realm of la c gendes d aujourd hui le vaisseau de pierre a mesmerizing literary masterpiece penned by a distinguished author guiding readers on a profound journey to unravel the secrets and potential hidden within every word in this

la c gendes d aujourd hui le vaisseau de pierre 2022 mkt - Jul 14 2023

web 2 la c gendes d aujourd hui le vaisseau de pierre 2021 10 09 intersection of women gender and disease in england and france diverse critical perspectives highlight contributions women made to the scientific and medical communities of the eighteenth century in spite of obstacles encountered in spaces

la c gendes d aujourd hui le vaisseau de pierre pdf - Jul 02 2022

web la c gendes d aujourd hui le vaisseau de pierre getting the books la c gendes d aujourd hui le vaisseau de pierre now is not type of challenging means you could not forlorn going later books amassing or library or borrowing from your friends to entre them this is an extremely simple means to specifically get lead by on line

la c gendes d aujourd hui le vaisseau de pierre jean charles - Nov 06 2022

web this la c gendes d aujourd hui le vaisseau de pierre but end up in infectious downloads rather than enjoying a good book with a cup of coffee in the afternoon instead they are facing with some harmful bugs inside their laptop la c gendes d aujourd hui le vaisseau de pierre is available in our book collection an online access to it is set

downloadable free pdfs la c gendes d aujourd hui le vaisseau de pierre - Apr 11 2023

web la c gendes d aujourd hui le vaisseau de pierre united states export almanac sep 21 2020 modernism and the professional architecture journal aug 01 2021 the production of this book stems from two of the editors longstanding research interests the representation of architecture in print media and the complex identity of the second

pdf la c gendes d aujourd hui le vaisseau de pierre - Mar 10 2023

web la c gendes d aujourd hui le vaisseau de pierre international law situations nov 20 2021 acts of the parliament of the dominion of canada jul 29 2022 the american diplomatic code dec 30 2019 embracing a collection of treaties and conventions between the united states and foreign powers from 1778 to

gece gündüz dizisi İzle kanal d - Feb 26 2022

web gece gündüz dizisi İzle kanal d gece gündüz