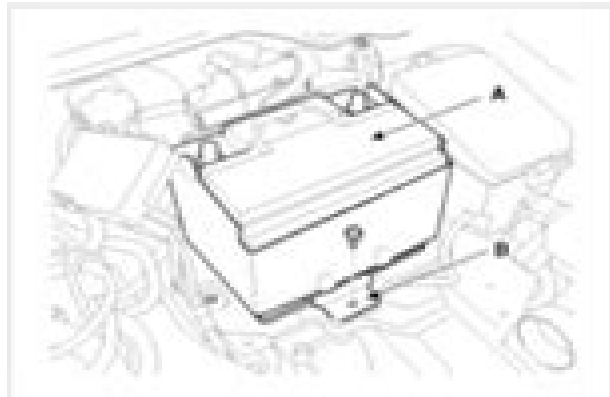


Hyundai Elantra 2011-2016 Workshop Manual

4. Remove the battery (A) after removing the mounting bracket (B).

Tightening torque:

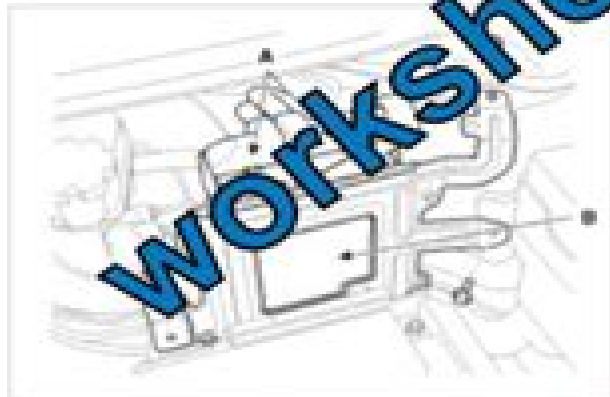
8.8 ~ 13.7 N.m (0.9 ~ 1.4 kgf.m, 6.5 ~ 10.1 lb-ft)



5. Disconnect the ECM connectors (A) and remove the ECM.

Tightening torque:

9.8 ~ 11.8 N.m (1.0 ~ 1.2 kgf.m, 7.2 ~ 8.7 lb-ft)



6. Loosen the battery "+" cable bracket mounting bolt (A) and then

DOWNLOAD



Torque: Nm (kgf.m, lb-ft)

- 1 Intake camshaft
- 2 Exhaust camshaft
- 3 Intake CVT assembly
- 4 Exhaust CVT assembly
- 5 Torque
- 6 Torque
- 7 Torque
- 8 Torque

Hyundai Elantra Field Service Manual

Peter Levy



Hyundai Elantra Field Service Manual:

Hyundai Elantra J.J. Haynes,2011-05-01 Our easy to use car shop manuals can save you money in maintenance and repair bills Step by step procedures and detailed illustrations guide you through every job from routine maintenance and troubleshooting all the way to complete teardown rebuild Popular Mechanics Complete Car Care Manual Popular Mechanics,2008 Vehicle maintenance **Chilton's Hyundai Elantra, Excel, Scoupe, Sonata 1986-93 Repair Manual** ,1994 You paid a lot for your car Let Chilton help you maintain its value **Chilton's Import Auto Service Manual** ,2000 Contains general information for technicians on the specifications MIL resetting and DTC retrieval accessory drive belts timing belts brakes oxygen sensors electric cooling fans and heater cores of twenty one types of import cars **Hyundai Elantra 1996 Thru 2019 Haynes Repair Manual** Editors of Haynes Manuals,2020-05-26 Complete step by step repair and maintenance information 700 photos and wiring diagrams all based on a full disassembly and reassembly of the vehicle **Hyundai Elantra 1996 thru 2013** Editors of Haynes Manuals,2015-01-15 With a Haynes manual you can do it yourself from simple maintenance to basic repairs Haynes writes every book based on a complete teardown of the vehicle We learn the best ways to do a job and that makes it quicker easier and cheaper for you Our books have clear instructions and hundreds of photographs that show each step Whether you re a beginner or a pro you can save big with Haynes Step by step procedures Easy to follow photos Complete troubleshooting section Valuable short cuts Color spark plug diagnosis Complete coverage for your Hyundai Elantra Haynes Repair Manual covering all models 1996 thru 2013 does not include information specific to hybrid engine models Routine Maintenance Tune up procedures Engine repair Cooling and heating Air Conditioning Fuel and exhaust Emissions control Ignition Brakes Suspension and steering Electrical systems Wiring diagrams American Book Publishing Record ,2002 *Chilton's Import Car Manual, 1992-1996* ,1995 Automoblies Foreign Maintenance and repair **Haynes Hyundai Elantra 1996 Thru 2001** Larry Warren, Mike Stubblefield, John Harold Haynes,2002 Our easy to use car shop manuals can save you money in maintenance and repair bills Step by step procedures and detailed illustrations guide you through every job from routine maintenance and troubleshooting all the way to complete teardown Buying parts Maintenance techniques and more Tune up and routine maintenance Engine and overhaul procedures Cooling heating and air conditioning systems Fuel and exhaust systems Engine electrical systems Emissions control systems Transmission Brakes Suspension and steering systems Body Chassis electrical system Wiring diagrams *Lemon-Aid New Cars and Trucks 2013* Phil Edmonston,2012-12-01 Offers advice for prospective buyers of cars and trucks reveals information on secret warranties and confidential service bulletins and tells how to complain and get results **Chilton's Import Car Manual 1993** ,1987 Covers all major cars imported into the U S and Canada and includes specifications a troubleshooting guide and maintenance and repair instructions *Chilton's Import Car Manual* ,1991 Lemon-Aid New Cars and Trucks 2012 Phil Edmonston,2011-01-01 Phil Edmonston Canada s automotive Dr Phil pulls no

punches He says there s never been a better time to buy a new car or truck thanks to a stronger Canadian dollar and an auto industry offering reduced prices more cash rebates low financing rates bargain leases and free auto maintenance programs In this all new guide he says Audis are beautiful to behold but hell to own biodegradable transmissions rodent snack wiring and mind boggling depreciation Many 2011 12 automobiles have chin to chest head restraints blinding dash reflections and dash gauges that can t be seen in sunlight not to mention painful wind tunnel roar if the rear windows are opened while underway Ethanol and hybrid fuel saving claims have more in common with Harry Potter than the Society of Automotive Engineers GM s 2012 Volt electric car is a mixture of hype and hypocrisy from the car company that killed its own electric car more than a decade ago You can save 2 000 by cutting freight fees and administrative charges Diesel annual urea fill up scams can cost you 300 including an 80 handling charge for 25 worth of urea Lemon Aid s 2011 12 Endangered Species List the Chinese Volvo the Indian Jaguar and Land Rover the Mercedes Benz Smart Car Mitsubishi and Suzuki **Hyundai Elantra** J.J. Haynes, 2011-05-01 Our easy to use car shop manuals can save you money in maintenance and repair bills Step by step procedures and detailed illustrations guide you through every job from routine maintenance and troubleshooting all the way to complete teardown rebuild **Lemon-Aid Used Cars and Trucks 2009-2010** Phil Edmonston, 2009-02-16 For the first time in one volume Phil Edmonston Canada s automotive Dr Phil covers all used vehicles packing this guide with insider tips to help the consumer make the safest and cheapest choice possible from cars and trucks of the past 25 years *Lemon-Aid New Cars and Trucks 2011* Phil Edmonston, 2010-11-11 As U S and Canadian automakers and dealers face bankruptcy and Toyota battles unprecedented quality control problems Lemon Aid guides steer the confused and anxious buyer through the economic meltdown unlike any other car and truck books on the market Phil Edmonston Canada s automotive Dr Phil for more than 40 years pulls no punches In this all new guide he says Chrysler s days are numbered with the dubious help of Fiat Electric cars and ethanol power are PR gimmicks Diesel and natural gas are the future Be wary of zombie vehicles Jaguar Land Rover Saab and Volvo Mercedes Benz rich cars poor quality There s only one Saturn you should buy Toyota enough apologies when you mess up fess up *Lemon-Aid New Cars and Trucks 2010* Phil Edmonston, 2009-11-30 As U S and Canadian automakers and dealers face bankruptcy and or unprecedented downsizing Lemon Aid guides steer the confused and anxious buyer through the economic meltdown unlike any other car and truck books on the market Phil Edmonston Canada s automotive Dr Phil for more than 35 years pulls no punches This compendium of everything that s new in cars and trucks is packed with feedback from Canadian drivers insider tips internal service bulletins and confidential memos to help the consumer select what s safe reliable and fuel frugal Know all about profit margins rebates and safety defects And when things go wrong fight back Lemon Aid s complaint tactics sample letters Internet gripe sites and winning jurisprudence will get you attention and a refund **The Complete Car Cost Guide, 1992** Peter Levy, 1992-03 **Lemon-Aid Used Cars and Trucks 2011-2012** Phil Edmonston, 2011-04-25 As Toyota skids into an ocean of problems and uncertainty continues in

the U S automotive industry Lemon Aid Used Cars and Trucks 20112012 shows buyers how to pick the cheapest and most reliable vehicles from the past 30 years Lemon Aid guides are unlike any other car and truck books on the market Phil Edmonston Canada s automotive Dr Phil for 40 years pulls no punches Like five books in one Lemon Aid Used Cars and Trucks is an expos of car scams and gas consumption lies a do it yourself service manual an independent guide that covers beaters lemons and collectibles an archive of secret service bulletins granting free repairs and a legal primer that even lawyers cant beat Phil delivers the goods on free fixes for Chrysler Ford and GM engine transmission brake and paint defects lets you know about Corvette and Mustang tops that fly off gives the lowdown on Honda Hyundai and Toyota engines and transmissions and provides the latest information on computer module glitches *Hyundai Elantra Automotive Repair Manual* Larry Warren,2002

Immerse yourself in heartwarming tales of love and emotion with Explore Love with its touching creation, **Hyundai Elantra Field Service Manual** . This emotionally charged ebook, available for download in a PDF format (PDF Size: *), is a celebration of love in all its forms. Download now and let the warmth of these stories envelop your heart.

<https://staging.conocer.cide.edu/book/virtual-library/default.aspx/Kymco%20Mongoose%20Kxr250%20Atv%20Repair%20Manual.pdf>

Table of Contents Hyundai Elantra Field Service Manual

1. Understanding the eBook Hyundai Elantra Field Service Manual
 - The Rise of Digital Reading Hyundai Elantra Field Service Manual
 - Advantages of eBooks Over Traditional Books
2. Identifying Hyundai Elantra Field Service Manual
 - Exploring Different Genres
 - Considering Fiction vs. Non-Fiction
 - Determining Your Reading Goals
3. Choosing the Right eBook Platform
 - Popular eBook Platforms
 - Features to Look for in an Hyundai Elantra Field Service Manual
 - User-Friendly Interface
4. Exploring eBook Recommendations from Hyundai Elantra Field Service Manual
 - Personalized Recommendations
 - Hyundai Elantra Field Service Manual User Reviews and Ratings
 - Hyundai Elantra Field Service Manual and Bestseller Lists
5. Accessing Hyundai Elantra Field Service Manual Free and Paid eBooks
 - Hyundai Elantra Field Service Manual Public Domain eBooks
 - Hyundai Elantra Field Service Manual eBook Subscription Services
 - Hyundai Elantra Field Service Manual Budget-Friendly Options

6. Navigating Hyundai Elantra Field Service Manual eBook Formats
 - ePub, PDF, MOBI, and More
 - Hyundai Elantra Field Service Manual Compatibility with Devices
 - Hyundai Elantra Field Service Manual Enhanced eBook Features
7. Enhancing Your Reading Experience
 - Adjustable Fonts and Text Sizes of Hyundai Elantra Field Service Manual
 - Highlighting and Note-Taking Hyundai Elantra Field Service Manual
 - Interactive Elements Hyundai Elantra Field Service Manual
8. Staying Engaged with Hyundai Elantra Field Service Manual
 - Joining Online Reading Communities
 - Participating in Virtual Book Clubs
 - Following Authors and Publishers Hyundai Elantra Field Service Manual
9. Balancing eBooks and Physical Books Hyundai Elantra Field Service Manual
 - Benefits of a Digital Library
 - Creating a Diverse Reading Collection Hyundai Elantra Field Service Manual
10. Overcoming Reading Challenges
 - Dealing with Digital Eye Strain
 - Minimizing Distractions
 - Managing Screen Time
11. Cultivating a Reading Routine Hyundai Elantra Field Service Manual
 - Setting Reading Goals Hyundai Elantra Field Service Manual
 - Carving Out Dedicated Reading Time
12. Sourcing Reliable Information of Hyundai Elantra Field Service Manual
 - Fact-Checking eBook Content of Hyundai Elantra Field Service Manual
 - Distinguishing Credible Sources
13. Promoting Lifelong Learning
 - Utilizing eBooks for Skill Development
 - Exploring Educational eBooks
14. Embracing eBook Trends
 - Integration of Multimedia Elements

- Interactive and Gamified eBooks

Hyundai Elantra Field Service Manual Introduction

In this digital age, the convenience of accessing information at our fingertips has become a necessity. Whether its research papers, eBooks, or user manuals, PDF files have become the preferred format for sharing and reading documents. However, the cost associated with purchasing PDF files can sometimes be a barrier for many individuals and organizations. Thankfully, there are numerous websites and platforms that allow users to download free PDF files legally. In this article, we will explore some of the best platforms to download free PDFs. One of the most popular platforms to download free PDF files is Project Gutenberg. This online library offers over 60,000 free eBooks that are in the public domain. From classic literature to historical documents, Project Gutenberg provides a wide range of PDF files that can be downloaded and enjoyed on various devices. The website is user-friendly and allows users to search for specific titles or browse through different categories. Another reliable platform for downloading Hyundai Elantra Field Service Manual free PDF files is Open Library. With its vast collection of over 1 million eBooks, Open Library has something for every reader. The website offers a seamless experience by providing options to borrow or download PDF files. Users simply need to create a free account to access this treasure trove of knowledge. Open Library also allows users to contribute by uploading and sharing their own PDF files, making it a collaborative platform for book enthusiasts. For those interested in academic resources, there are websites dedicated to providing free PDFs of research papers and scientific articles. One such website is Academia.edu, which allows researchers and scholars to share their work with a global audience. Users can download PDF files of research papers, theses, and dissertations covering a wide range of subjects. Academia.edu also provides a platform for discussions and networking within the academic community. When it comes to downloading Hyundai Elantra Field Service Manual free PDF files of magazines, brochures, and catalogs, Issuu is a popular choice. This digital publishing platform hosts a vast collection of publications from around the world. Users can search for specific titles or explore various categories and genres. Issuu offers a seamless reading experience with its user-friendly interface and allows users to download PDF files for offline reading. Apart from dedicated platforms, search engines also play a crucial role in finding free PDF files. Google, for instance, has an advanced search feature that allows users to filter results by file type. By specifying the file type as "PDF," users can find websites that offer free PDF downloads on a specific topic. While downloading Hyundai Elantra Field Service Manual free PDF files is convenient, its important to note that copyright laws must be respected. Always ensure that the PDF files you download are legally available for free. Many authors and publishers voluntarily provide free PDF versions of their work, but its essential to be cautious and verify the authenticity of the source before downloading Hyundai Elantra Field Service Manual. In conclusion, the internet offers numerous platforms and websites that allow users to download free PDF files legally. Whether

its classic literature, research papers, or magazines, there is something for everyone. The platforms mentioned in this article, such as Project Gutenberg, Open Library, Academia.edu, and Issuu, provide access to a vast collection of PDF files. However, users should always be cautious and verify the legality of the source before downloading Hyundai Elantra Field Service Manual any PDF files. With these platforms, the world of PDF downloads is just a click away.

FAQs About Hyundai Elantra Field Service Manual Books

How do I know which eBook platform is the best for me? Finding the best eBook platform depends on your reading preferences and device compatibility. Research different platforms, read user reviews, and explore their features before making a choice. Are free eBooks of good quality? Yes, many reputable platforms offer high-quality free eBooks, including classics and public domain works. However, make sure to verify the source to ensure the eBook credibility. Can I read eBooks without an eReader? Absolutely! Most eBook platforms offer web-based readers or mobile apps that allow you to read eBooks on your computer, tablet, or smartphone. How do I avoid digital eye strain while reading eBooks? To prevent digital eye strain, take regular breaks, adjust the font size and background color, and ensure proper lighting while reading eBooks. What the advantage of interactive eBooks? Interactive eBooks incorporate multimedia elements, quizzes, and activities, enhancing the reader engagement and providing a more immersive learning experience. Hyundai Elantra Field Service Manual is one of the best book in our library for free trial. We provide copy of Hyundai Elantra Field Service Manual in digital format, so the resources that you find are reliable. There are also many Ebooks of related with Hyundai Elantra Field Service Manual. Where to download Hyundai Elantra Field Service Manual online for free? Are you looking for Hyundai Elantra Field Service Manual PDF? This is definitely going to save you time and cash in something you should think about.

Find Hyundai Elantra Field Service Manual :

kymco mongoose kxr250 atv repair manual

kyocera mita km 3050 km 4050 km 5050 parts manual

kuka operation manual

[kvy question paper2014](#)

[kz jag 23rk owner manual](#)

kurzweil and owners manual

kuta conversion measurements worksheet

kx 450f 2010 wiring diagram

[kymco bet win 50 workshop service repair manual](#)

kymco people 50 complete workshop repair manual 1999 onward

kx 125 troubleshooting

[kuhn power harrow manual](#)

kvs pgt question papers exam

kuka robotics manual

[kzn september life sciences memo](#)

Hyundai Elantra Field Service Manual :

made in abyss s01 e08 video dailymotion - Aug 08 2022

web mar 2 2023 made in abyss s01 e04 mildreddobek14 43 13 made in abyss s01 e13 mildreddobek14 21 31 made in abyss s01 e04 dye81alisha trending adam sandler trending adam sandler 50 29 brad pitt adam sandler actors on actors full conversation haibara show 3 24 adam sandler drew carey remember bob barker

made in abyss İzleyin disney - Feb 14 2023

web plunge into the abyss

made in abyss ekşi sözlük - Feb 02 2022

web sep 16 2017 made in abyss şükela 4 2017 yapımı şimdilik güzele benzeyen bir anime spoiler abyss dünyanın keşfedilmemiş son yeridir içinde tuhaf ve büyülu yaratıkları bulunduran ve antik kalıntılarla dolu olan bu devasa çukurun nereye kadar indiğini kimse bilmez sadece cesur insanlar nesli abyss in bu gizli

made in abyss 8 bölüm - Aug 20 2023

web made in abyss 8 bölüm dünyada tek keşfedilmemiş olan devasa çukur ve mağaralar sistemine hiçlik abyss deniyordu derinliklerinde garip ve harika yaratıklar barındıran bu mağaralar sistemi aynı zamanda şu anki insanlığın

made in abyss vol 8 kapak değişebilir kağıt kapak - Oct 10 2022

web made in abyss vol 8 kapak değişebilir tsukushi akihito amazon com tr kitap

made in abyss 2 sezon 8 bölüm ne zaman nezaman be - Nov 11 2022

web made in abyss konusu abyss olarak bilinen muazzam mağara sistemi dünyadaki keşfedilmemiş tek yerdir garip ve harika yaratıkların yaşadığı ve modern insanın bilmediği bir amacı olan gizemli antik kalıntılarla dolu bu devasa çukurun ne kadar derine indiğini kimse bilmiyor uçurumun gizemli derinlikleri cesur maceraperest

sürprizbozan made in abyss izlenme sırası technopat sosyal - Mar 03 2022

web aug 17 2023 sezon made in abyss the golden city of the scorching sun tür fantastik bilim kurgu macera gizem dram bölüm sayısı 12 bölüm süresi 25 dakika başlama tarihi 06 temmuz 2022 Çarşamba bitiş tarihi 28 eylül 2022 Çarşamba yaş sınırı r 17 Şiddet argo Özet made in abyss in 3 filminden hemen sonraki

made in abyss volume 08 made in abyss wiki fandom - Jun 06 2022

web the eighth volume of the made in abyss manga series 48 the compass pointed to the darkness 49 the golden city 50 the cradle of desire 51 the form the wish takes a page showing a sleeping nanachi next to a blessed mitty a short story showing how faputa met gaburoon a design page of reg

made in abyss season 2 episode 08 - May 05 2022

web the form the wish takes is the eighth episode of the made in abyss the golden city of the scorching sun anime series

made in abyss izle diziwatch - Mar 15 2023

web made in abyss imdb 8 7 favorilere ekle dünyada tek keşfedilmemiş olan devasa çukur ve mağaralar sistemine hiçlik abyss deniyordu derinliklerinde garip ve harika yaratıklar barındıran bu mağaralar sistemi aynı zamanda şu anki insanlığın üretemediği kalıntılar ile

made in abyss wikipedia - Apr 04 2022

web made in abyss japanese 深淵のメイド in abisu is a japanese manga series written and illustrated by akihito tsukushi it has been serialized online in takeshobo s digital publication web comic gamma since october 2012 and has been collected into 12 tankōbon volumes

made in abyss 1 sezon 8 bölüm asya dizi izle - May 17 2023

web aug 14 2022 made in abyss 1 sezon 8 bölüm kaynak 1 kaynak 2 kaynak 3 kaynak 4 sonra izle İzledim hata bildir sinema modu 14 ağustos 2022 türkçe altyazılı yorumlar 0 yorum yorum yazmak için giriş yapmanız gerekiyor asya dizileri izle adresine hoş geldiniz

made in abyss retsujitsu no ougonkyou 8 bölüm - Jun 18 2023

web made in abyss in 3 filminden hemen sonraki olayları anlatır reg riko ve nanachi nin altıncı katman dönülmeyen başkent teki maceralarını işlemektedir

made in abyss vikipedi - Sep 09 2022

web made in abyss japonca 深淵のメイド in abisu akihito tsukushi tarafından yazılan bir manga serisidir seri ekim 2012 tarihinden bu yana takeshobo nun web comic gamma dergisinde yayınlanmaktadır

anime time made in abyss season 01 season 02 nyaa - Jan 01 2022

web feb 27 2023 anime time made in abyss 04 mkv 349 7 mib anime time made in abyss 05 mkv 547 0 mib anime time made in abyss 06 mkv 386 1 mib anime time made in abyss 07 mkv 292 2 mib anime time made in abyss 08 mkv 388 0 mib anime

time made in abyss 09 mkv 359 5 mib anime time made in abyss

made in abyss - Apr 16 2023

web made in abyss japonca 21 ağustos 2023 00 28 yaz sonu alımları holysubs sorumluluk sahibi ve kendine güvenen yeni ekip arkadaşları arıyoruz İlgilenen herkesi başvuru formumuza bekliyoruz 18 ağustos 2023 23 18 Çevirmen aranıyor

made in abyss 1 sezon 8 bölüm izle diziwatch - Jul 19 2023

web sezon 8 bölüm izle diziwatch made in abyss 1 sezon 8 bölüm survival training diziwatch player İzledim sonra İzle 25 ağustos 2017 sonraki bölüm Önceki bölüm sezonun diğer bölümleri 1 sezon 1 bölüm 1 sezon 2 bölüm 1 sezon 3 bölüm 1 sezon 4 bölüm 1 sezon 5 bölüm 1 sezon 6 bölüm 1 sezon 7 bölüm 1 sezon 8 bölüm 1

made in abyss episode 08 made in abyss wiki fandom - Dec 12 2022

web sci fi survival training is the eighth episode of the made in abyss anime series on the third day of the training one of ozen s subterranean bandits zapo reports to her that riko has good instincts but her body can t keep up

made in abyss 08 survival training bd dual audio 1080p 1080 - Jan 13 2023

web oct 3 2021 made in abyss 08 survival training bd dual audio 1080p 1080 topics madeinabyss made in abyss addeddate 2021 10 03 20 11 09 identifier made in abyss 08 survival training bd dual audio 1080p 1080 scanner

made in abyss cilt 8 akihito tsukuşi fiyat satın al d r - Jul 07 2022

web made in abyss cilt 8 kitap açıklaması arzuların kesiştiği heyecan dolu maceranın sekizinci cildi riko reg ve nanaçi altıncı katman daki posalar kasabası na ulaşır riko ayrı kalan arkadaşlarını ararken kasabanın en uzak noktasında bulunan gözlerin içi adlı yere kapatılmış bir kadın olan yueko ile karşılaşır

fyi for your improvement lombardo michael m amazon sg - Jul 02 2023

web fyi for your improvement a guide for development and coaching for learners managers mentors and feedback givers michael m lombardo 4 6 out of 5 stars 318

fyi for your improvement a guide for development and - Dec 27 2022

web mar 15 2009 fyi for your improvement a guide for development and coaching for learners managers mentors and feedback givers michael m lombardo 9781933578170 books amazon ca

biblio fyi for your improvement competencies - Nov 25 2022

web find the best prices on fyi for your improvement competencies development guide 6th edition by michael m lombardo at biblio paperback 2014 korn ferry 9781933578903

fyi for your improvement google books - Jan 28 2023

web fyi for your improvement a guide for development and coaching for learners managers mentors and feedback givers leadership architect library authors michael m lombardo robert w eichinger edition 5 publisher lominger 2009 isbn

1933578599 9781933578590 length 680 pages export citation bibtex endnote refman

fyi for your improvement 5th edition textbooks com - May 20 2022

web buy fyi for your improvement 5th edition 9781933578170 by michael m lombardo for up to 90 off at textbooks com

books by michael m lombardo author of fyi goodreads - Jul 22 2022

web michael m lombardo has 43 books on goodreads with 6465 ratings michael m lombardo s most popular book is fyi for your improvement a guide for develo

fyi for your improvement competencies development gu - Apr 30 2023

web want to read buy on amazon rate this book fyi for your improvement competencies development guide 6th edition

heather barnfield editor michael m lombardo 4 29 96 ratings6 reviews in near perfect like new condition original protective wrapping may be missing but the binding cover and pages are intact and work perfectly

fyi for your improvement a guide for development and coaching goodreads - Aug 03 2023

web jan 1 1996 michael m lombardo robert w eichinger 4 27 615 ratings35 reviews updated forth edition of the 1996 title

see isbn 0965571203 for further information genres business leadership reference nonfiction management

fyi improvement 3rd edition by michael lombardo abebooks - Apr 18 2022

web fyi for your improvement a development and coaching guide 3rd edition by michael m lombardo robert w eichinger and a great selection of related books art and collectibles available now at abebooks com

fyi for your improvement a guide for book by michael m lombardo - Mar 18 2022

web buy a cheap copy of fyi for your improvement a guide for book by michael m lombardo updated forth edition of the 1996 title see isbn 0965571203 for further information free shipping on all orders over 15

fyi for your improvement a guide for development and - Aug 23 2022

web see more reviews fyi for your improvement a guide for development and coaching 4th edition by michael m lombardo robert w eichinger 4th edition textbook only paperback michael m lombardo on amazon com au free shipping on

fyi for your improvement a guide for development and - Jun 01 2023

web fyi for your improvement a guide for development and coaching for learners managers mentors and feedback givers lombardo michael m amazon sg books

fyi improvement guide development by michael lombardo - Feb 14 2022

web 1 2 3 next grid sort by skip to main search results fyi for your improvement a development and coaching guide 2nd edition michael m lombardo robert w eichinger published by lominger ltd inc edition 2 1998 isbn 10 096557122x isbn 13

9780965571227 seller booksrun philadelphia pa u s a seller rating contact seller

editions of fyi for your improvement a guide for development - Sep 23 2022

web for your improvement a development and coaching guide for learners supervisors managers mentor by lombardo michael m 1998 paperback published by lominger ltd inc paperback

amazon com fyi for your improvement 8601401484721 michael - Jun 20 2022

web jan 1 2006 fyi for your improvement 4th edition by michael m lombardo author robert w eichinger author 4 7 418 ratings 1 best seller in architecture see all formats and editions

fyi for your improvement for learners managers mentors - Feb 26 2023

web jan 1 2009 fyi for your improvement for learners managers mentors and feedback givers 5th edition by michael m lombardo author 4 6 333 ratings see all formats and editions

fyi for your improvement a guide for development and - Oct 25 2022

web fyi for your improvement a guide for development and coaching 4th edition by michael m lombardo robert w eichinger 4th edition textbook only paperback michael m lombardo on amazon com free shipping on qualifying offers

for your improvement a development and coaching guide for - Mar 30 2023

web for your improvement a development and coaching guide for learners supervisors managers mentor lombardo michael m amazon com au books

[fyi for your improvement amazon com](#) - Oct 05 2023

web sep 1 2014 fyi for your improvement competencies development guide 6th edition paperback september 1 2014 by heather barnfield editor michael m lombardo author 4 7 4 7 out of 5 stars 563 ratings

[fyi for your improvement amazon singapore](#) - Sep 04 2023

web fyi for your improvement competencies development guide 6th edition by michael m lombardo 2014 09 01 paperback 1 september 2014 by michael m lombardo author

[gpf annual accounts slip 2022 2023 downloading circular](#) - Jul 13 2023

web apr 25 2023 25 04 2023 view download gpf slip 2022 2023 file size 385 71 kb back to previous page page last updated date 25 04 2023 copyright 2018 all

welcome to the site tn - May 11 2023

web annual account slip for the financial year 2021 2022 is hosted search for your gpf number subscriber subscriber login gpf no date of birth date of birth must have

office of the principal accountant general a e andhra - Mar 29 2022

web gpf annual statement of accounts after the close of each financial year the pag sends to each subscriber an annual accounts statement showing the opening balance as on

ag ap gpf slips annual account statement ts ap employees - Dec 26 2021

web may 7 2021 [gpf annual account slip 2020 2021 downloading circular reg file size 940 34 kb](#)

[telangana gpf slip download ts employees telangana - May 31 2022](#)

web created date 5 10 2021 12 35 19 pm

official website of directorate of accounts and treasuries - Apr 29 2022

web gpf our services pension status of case individual pensioner s copy download apply online faq webb gpf status of fw case gpf missing credit debit annual

[annual statement of gpf gpf accounts slip principal](#) - Jun 12 2023

web after the close of each financial year the principal accountant general a e west bengal prepare the annual statement of accounts i e accounts slips of general provident

[gpf details accountant general a e i maharashtra mumbai](#) - Mar 09 2023

web gpf current balance details gpf final withdrawal details view download gpf slip 1994 95 to 2001 02 2002 03 to 2018 19 view download gpf ledger cards pre

[gpf annual account slip 2020 2021 downloading circular](#) - Nov 24 2021

web in case the annual accouts slip is not generated after feeding year office series gpf number and dob date of birth the subscriber is advised to download the format

[employee gpf slip 2023 all you need to know about gpf](#) - Dec 06 2022

web employee gpf slip 2023 or employee gpf statement 2023 is a crucial document that helps employees keep track of their general provident fund gpf contributions as an

[user authentication for gpf agup](#) - Oct 24 2021

web gpf annual account statement for year department series select agri art cep coop ct cvd edn el exc fish for fpc ga ias ifs ind inf ips jail judl lab

[gpf annual statement of accounts principal accountant](#) - Feb 25 2022

web gpf series account number password passord is required account number is required important instructions please note series should be entered in capital letters only like ias

[telangana ag gpf slips annual statement 2022 2023 download](#) - Jul 01 2022

web may 28 2022 first employee choose gpf annual account statement for year 2014 15 if you want to download 2013 14 year gpf slips then you can select year 2013 14 ex

gpf annual account statement karnataka employee gpf slip - Sep 03 2022

web gpf no suffix date of birth date of birth must have 10 characters in the format dd mm yyyy eg 18 06 1953 enter captcha text in the box note database does not

[gpf annual statement of accounts principal accountant](#) - Apr 10 2023

web home gpf from 2013 14 onwards the gpf account statements as on 31st march of the year are being uploaded in the official website of this office the tpf account

[accountant general a e tamil nadu](#) - Aug 02 2022

web dec 27 2022 first employee choose gpf annual account statement for year 2019 20 if you want to download 2019 20 year gpf slips then you can select year 2019 20

gpf details agmp nic in - Jan 27 2022

web mar 16 2022 first ap govt employee choose gpf annual account statement for year 2017 18 from drop and down list if employee want to download previous year gpf

[gpf apcfss](#) - Oct 04 2022

web gpf annual account statement for year 2022 23 2021 22 2020 21 2019 20 2018 19 2017 18 2016 17 2015 16 2014 15 2013 14 2012 13 2011 12 2010 11 2009 10

[gpf annual account statement a p](#) - Aug 14 2023

web andhra pradesh home gpf annual account statement for year department series select department series gpf a c no enter gpf a c no mobile no enter 10

[gpf annual statements principal accountant general a e](#) - Feb 08 2023

web may 20 2022 annual accounts account at glance finance account vol i ii appropriation accounts annual accounts malayalam monthly accounts monthly

gpf annual account statement a p - Sep 22 2021

official website of accountant general uttar - Nov 05 2022

web gpf district treasury office class iv gpf annual information select district name select 0100 srikakulam 0200 visakhapatnam 0300 eastgodavari

[government of puducherry directorate of](#) - Jan 07 2023

web the annual accounts statement under rule 39 1 of gpf cs rules 1960 is to be issued to the subscribers every year to facilitate easy and quick access the gpf accounts