

MM-2 MASTERTROL® MINI-ZONE™-2



SCHEMATIC

The Mastertrol® Mini-Zone™-2 Zone Control Panel, Model MM-2, controls 2 zones on any single stage heating and cooling system. Each zone is controlled by a thermostat which operates a motorized damper in the zone duct to control the flow of conditioned air to the zone. (Up to 2 dampers may be wired to a single zone. When 3 or more dampers are required a Slave Damper Control Relay, Model SDCR, is required.)

The Zone 1 Thermostat requires a manual changeover subbase with "O" and "B" terminals. The "O" terminal must make with R when the subbase is switched to the COOL Mode. The "B" terminal must make with R when the subbase is switched to the HEAT Mode. When the Zone 1 Subbase is in either the Heat or Cool Mode, either zone thermostat can call for the respective mode. The zone thermostat will energize it's zone relay which activates the heating or cooling controls, opens it's zone damper and closes the damper to the zone that is satisfied. When both zone thermostats are satisfied the heating (or cooling) will shut off and all zone dampers will return to their normal position. The normal position of the zone dampers is set by the OPEN/CLOSED (O/C) slide switch next to the motor terminals.

SYSTEM CONNECTIONS: The MM-2 System Terminals, on the far left side of the panel, wire to the HVAC Unit. These terminals are isolated "dry" switching contacts similar to any typical thermostat. These terminals are wired to the HVAC Unit the same as any thermostat would, when not using this zone control panel. The MM-2 connections used are typically the RC-G-Y-W terminals wired the the HVAC Unit Control Center.

HYDRO-AIR Systems - When using the MM-2 with a Hydro-Air System, one which uses a hot water coil in the air handler to provide heating in place of a furnace, the wiring is almost similar to that shown. In this application the Heat Relay shown may be a zone valve or circulator relay. The Fan must be controlled by an Aquastat. In order to bring the fan on when the water in the coil is heated. This is wired independently of the MM-2 panel.

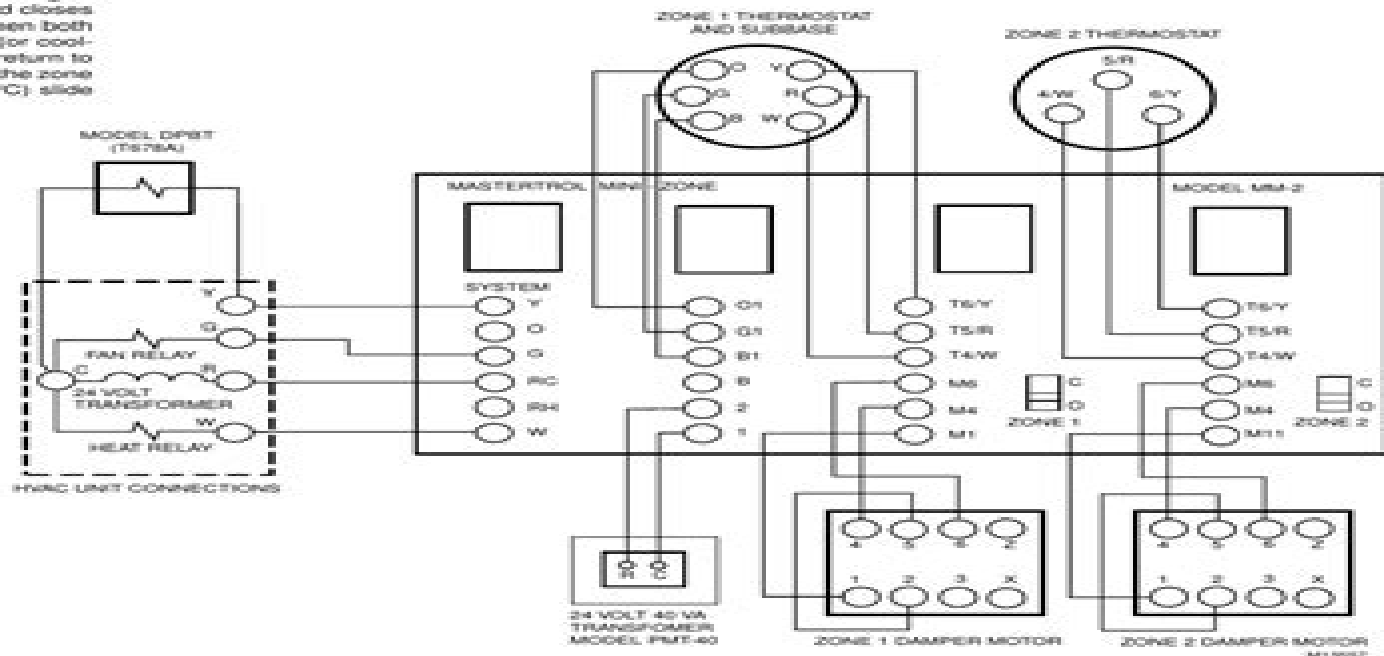
OIL FURNACES - When using the MM-2 with an Oil Fired Furnace to provide heating, the T and T terminals on the Oil Burner Primary Control must wire to the RH and W terminals, on the left side of the MM-2. *NOTE: Once operational the Oil Furnace continues to run when all zones are satisfied, reverse the RH and W wires on the MM-2.*

DAMPER MOTOR WIRING - This diagram shows Trol-A-Temp's typical power open-power closed opposed blade damper motors. Note the jumper wire required on the motor terminals 2 and 5. **Round Spring Return Dampers** can also be wired to the MM-2. When using the ARD-PC, wire to the M1 and M6 terminals. When using the ARD-PO, wire to the M1 and M4 terminals.

ZONE THERMOSTAT WIRING - The MM-2 can be used with several different single stage thermostats. The wiring shown is for the following recommended thermostats:

Zone 1 Thermostat TRT (-W) and MCRS (-W) T850T1003* T8602C T8601C*	Zone 2 Thermostat TRT (-W)/T87F T8090T1011* T8602D T8603D*
---------------------------------------------------------------------------------------	-------------------------------------------------------------------------------

*These thermostats may require additional wires. Refer to the wiring information included with the thermostat for complete information.



Honeywell Mini Zone Manual

RS Peters



Honeywell Mini Zone Manual:

Unveiling the Energy of Verbal Art: An Mental Sojourn through **Honeywell Mini Zone Manual**

In some sort of inundated with monitors and the cacophony of instantaneous communication, the profound power and psychological resonance of verbal beauty frequently fade in to obscurity, eclipsed by the constant barrage of sound and distractions. Yet, located within the musical pages of **Honeywell Mini Zone Manual**, a charming function of fictional beauty that impulses with natural emotions, lies an remarkable journey waiting to be embarked upon. Published with a virtuoso wordsmith, this interesting opus courses viewers on a psychological odyssey, delicately exposing the latent potential and profound affect embedded within the complicated web of language. Within the heart-wrenching expanse of this evocative examination, we shall embark upon an introspective exploration of the book is key styles, dissect its interesting writing style, and immerse ourselves in the indelible impact it leaves upon the depths of readers souls.

https://staging.conocer.cide.edu/book/Resources/HomePages/Income_Tax_Pocket_Guide_2013.pdf

Table of Contents Honeywell Mini Zone Manual

1. Understanding the eBook Honeywell Mini Zone Manual
 - The Rise of Digital Reading Honeywell Mini Zone Manual
 - Advantages of eBooks Over Traditional Books
2. Identifying Honeywell Mini Zone Manual
 - Exploring Different Genres
 - Considering Fiction vs. Non-Fiction
 - Determining Your Reading Goals
3. Choosing the Right eBook Platform
 - Popular eBook Platforms
 - Features to Look for in an Honeywell Mini Zone Manual
 - User-Friendly Interface
4. Exploring eBook Recommendations from Honeywell Mini Zone Manual
 - Personalized Recommendations

- Honeywell Mini Zone Manual User Reviews and Ratings
- Honeywell Mini Zone Manual and Bestseller Lists
- 5. Accessing Honeywell Mini Zone Manual Free and Paid eBooks
 - Honeywell Mini Zone Manual Public Domain eBooks
 - Honeywell Mini Zone Manual eBook Subscription Services
 - Honeywell Mini Zone Manual Budget-Friendly Options
- 6. Navigating Honeywell Mini Zone Manual eBook Formats
 - ePub, PDF, MOBI, and More
 - Honeywell Mini Zone Manual Compatibility with Devices
 - Honeywell Mini Zone Manual Enhanced eBook Features
- 7. Enhancing Your Reading Experience
 - Adjustable Fonts and Text Sizes of Honeywell Mini Zone Manual
 - Highlighting and Note-Taking Honeywell Mini Zone Manual
 - Interactive Elements Honeywell Mini Zone Manual
- 8. Staying Engaged with Honeywell Mini Zone Manual
 - Joining Online Reading Communities
 - Participating in Virtual Book Clubs
 - Following Authors and Publishers Honeywell Mini Zone Manual
- 9. Balancing eBooks and Physical Books Honeywell Mini Zone Manual
 - Benefits of a Digital Library
 - Creating a Diverse Reading Collection Honeywell Mini Zone Manual
- 10. Overcoming Reading Challenges
 - Dealing with Digital Eye Strain
 - Minimizing Distractions
 - Managing Screen Time
- 11. Cultivating a Reading Routine Honeywell Mini Zone Manual
 - Setting Reading Goals Honeywell Mini Zone Manual
 - Carving Out Dedicated Reading Time
- 12. Sourcing Reliable Information of Honeywell Mini Zone Manual
 - Fact-Checking eBook Content of Honeywell Mini Zone Manual

-
- Distinguishing Credible Sources
13. Promoting Lifelong Learning
 - Utilizing eBooks for Skill Development
 - Exploring Educational eBooks
 14. Embracing eBook Trends
 - Integration of Multimedia Elements
 - Interactive and Gamified eBooks

Honeywell Mini Zone Manual Introduction

Honeywell Mini Zone Manual Offers over 60,000 free eBooks, including many classics that are in the public domain. Open Library: Provides access to over 1 million free eBooks, including classic literature and contemporary works. Honeywell Mini Zone Manual Offers a vast collection of books, some of which are available for free as PDF downloads, particularly older books in the public domain. Honeywell Mini Zone Manual : This website hosts a vast collection of scientific articles, books, and textbooks. While it operates in a legal gray area due to copyright issues, its a popular resource for finding various publications. Internet Archive for Honeywell Mini Zone Manual : Has an extensive collection of digital content, including books, articles, videos, and more. It has a massive library of free downloadable books. Free-eBooks Honeywell Mini Zone Manual Offers a diverse range of free eBooks across various genres. Honeywell Mini Zone Manual Focuses mainly on educational books, textbooks, and business books. It offers free PDF downloads for educational purposes. Honeywell Mini Zone Manual Provides a large selection of free eBooks in different genres, which are available for download in various formats, including PDF. Finding specific Honeywell Mini Zone Manual, especially related to Honeywell Mini Zone Manual, might be challenging as theyre often artistic creations rather than practical blueprints. However, you can explore the following steps to search for or create your own Online Searches: Look for websites, forums, or blogs dedicated to Honeywell Mini Zone Manual, Sometimes enthusiasts share their designs or concepts in PDF format. Books and Magazines Some Honeywell Mini Zone Manual books or magazines might include. Look for these in online stores or libraries. Remember that while Honeywell Mini Zone Manual, sharing copyrighted material without permission is not legal. Always ensure youre either creating your own or obtaining them from legitimate sources that allow sharing and downloading. Library Check if your local library offers eBook lending services. Many libraries have digital catalogs where you can borrow Honeywell Mini Zone Manual eBooks for free, including popular titles. Online Retailers: Websites like Amazon, Google Books, or Apple Books often sell eBooks. Sometimes, authors or publishers offer promotions or free periods for certain books. Authors Website Occasionally, authors provide excerpts or short stories for free on their websites. While this might not be the Honeywell Mini

Zone Manual full book , it can give you a taste of the authors writing style.Subscription Services Platforms like Kindle Unlimited or Scribd offer subscription-based access to a wide range of Honeywell Mini Zone Manual eBooks, including some popular titles.

FAQs About Honeywell Mini Zone Manual Books

How do I know which eBook platform is the best for me? Finding the best eBook platform depends on your reading preferences and device compatibility. Research different platforms, read user reviews, and explore their features before making a choice. Are free eBooks of good quality? Yes, many reputable platforms offer high-quality free eBooks, including classics and public domain works. However, make sure to verify the source to ensure the eBook credibility. Can I read eBooks without an eReader? Absolutely! Most eBook platforms offer web-based readers or mobile apps that allow you to read eBooks on your computer, tablet, or smartphone. How do I avoid digital eye strain while reading eBooks? To prevent digital eye strain, take regular breaks, adjust the font size and background color, and ensure proper lighting while reading eBooks. What the advantage of interactive eBooks? Interactive eBooks incorporate multimedia elements, quizzes, and activities, enhancing the reader engagement and providing a more immersive learning experience. Honeywell Mini Zone Manual is one of the best book in our library for free trial. We provide copy of Honeywell Mini Zone Manual in digital format, so the resources that you find are reliable. There are also many Ebooks of related with Honeywell Mini Zone Manual. Where to download Honeywell Mini Zone Manual online for free? Are you looking for Honeywell Mini Zone Manual PDF? This is definitely going to save you time and cash in something you should think about.

Find Honeywell Mini Zone Manual :

income tax pocket guide 2013

imac service manual

immune system biology study packet

[imagerunner 1025if owners manual](#)

[imagistics 1500 manual](#)

in my mouthenglish edition

[in the reign of terror](#)

impact factor journal natural products

imperialism dbq apush 1994 scoring guide

impact factor journals ranking

in the land of the incas

imagina lab manual second edition

in the days of giants a book of norse tales

impa marine stores guide

incremental analysis weygandt 6th edition solutions

Honeywell Mini Zone Manual :

cuaderno para corredores mejora tu rendimiento al nicholas - Jun 20 2022

web this cuaderno para corredores mejora tu rendimiento al as one of the most functional sellers here will extremely be along with the best options to review

cuaderno para corredores mejora tu rendimiento al - Nov 13 2021

web cuaderno para corredores mejora tu rendimiento al can be taken as capably as picked to act the black book of training secrets christian thibaudeau 2014 06 04 the first

cuaderno para corredores mejora tu rendimiento al correr - Aug 03 2023

web jul 18 2019 cuaderno para corredores mejora tu rendimiento al correr registrando todos tus entrenamientos cuaderno para runners o aficionados al running de

top 20 alimentos para corredores infografia completa - Sep 23 2022

web debido a ciertos estudios se llego a la conclusión que es sumamente benéfico para un rendimiento deportivo en los corredores así que podemos decir que 1 o 2 tazas de

cuaderno para corredores mejora tu rendimiento al - Apr 18 2022

web cuaderno para corredores mejora tu rendimiento al recognizing the habit ways to acquire this book cuaderno para corredores mejora tu rendimiento al is

cuaderno para corredores mejora tu rendimiento al pdf - Jul 22 2022

web cuadernos pensamiento positivo en 30 días pack el monje que vendió su ferrari guía para progresar como corredor aprendizaje visible feedback puedo iniciar

musculación para corredores i primeros pasos vitónica - Dec 27 2022

web pautas básicas de un corredor en el gimnasio lo primero que debe hacer un corredor en el gimnasio es pensar que es un corredor no un levantador de pesas o alguien que

cómo elaborar el mejor menú semanal para corredores - Jan 28 2023

web mi ger será de 8 7 x 62 826 1365 4 kcal al día en reposo mi fa es bastante activa porque entreno seis días por semana así que utilizo el valor medio de 1 85 así mi

cuaderno para corredores mejora tu rendimiento al simon - Dec 15 2021

web establecer metas la administración del tiempo la visualización y la conversación poder para la lograr elevados niveles de rendimiento en todas las áreas de interna vida

entrenamiento de fuerza para corredores en gimnasio - Feb 26 2023

web hasta aquí nuestra guía sobre entrenamiento de fuerza para corredores espero que os haya gustado fuentes bibliográficas bomba t o 2000 periodización del

cuaderno para corredores mejora tu rendimiento al correr - Oct 13 2021

web cuaderno para corredores mejora tu rendimiento al correr registrando todos tus entrenamientos cuaderno para runners o aficionados al running libreta para

cuaderno para corredores mejora tu rendimiento al correr - Sep 04 2023

web may 14th 2020 cuaderno para corredores mejora tu rendimiento al correr registrando todos tus entrenamientos cuaderno para runners o aficionados al running libreta para

cuaderno para corredores mejora tu rendimiento al pdf - Mar 18 2022

web 2 cuaderno para corredores mejora tu rendimiento al 2023 03 14 de shopping turismo first class fiestas tipo bien y antros cool ahora con cómo superar a tu ex

cuaderno para corredores mejora tu rendimiento al - Feb 14 2022

web cuaderno para corredores rage cuadernos de deporte 2019 07 18 cuaderno para aficionados a correr donde podrás registrar todas tus salidas carreras tiempos

cuaderno para corredores mejora tu rendimiento al 2022 - Jul 02 2023

web ejercicios que puede personalizar para optimizar su rendimiento además de estrategias para prevenir lesiones directrices específicas sobre nutrición e hidratación y mucho más

cuaderno para corredores mejora tu rendimiento al 2023 - May 20 2022

web cuaderno para corredores mejora tu rendimiento al 3 3 su pueblo en unos cuadernos el juego que parece trivial podría convertirse en la clave para resolver una

cuaderno para corredores mejora tu rendimiento al - Oct 25 2022

web you could buy guide cuaderno para corredores mejora tu rendimiento al or get it as soon as feasible you could speedily download this cuaderno para corredores mejora

cuaderno para corredores mejora tu rendimiento al 2023 - Jun 01 2023

web modo de complemento esta obra contiene un test que permite al atleta determinar la absorción de oxígeno a través de la masa corporal libre de grasa cuaderno para

download solutions cuaderno para corredores mejora tu - Nov 25 2022

web cuaderno para corredores mejora tu rendimiento al el correr chi jun 10 2020 en el correr chi se presenta una nueva técnica de carrera que se basa en disciplinas

cuaderno para corredores mejora tu rendimiento al correr - Oct 05 2023

web cuaderno para corredores mejora tu rendimiento al correr registrando todos tus entrenamientos cuaderno para runners o aficionados al running libreta para

cuaderno para corredores mejora tu rendimiento al - Aug 23 2022

web ejercicios que puede personalizar para optimizar su rendimiento además de estrategias para prevenir lesiones directrices específicas sobre nutrición e hidratación y mucho más

cómo aumentar la energía y la resistencia para correr nike mx - Apr 30 2023

web cómo aumentar la resistencia y el vigor en el running 1 mantén la constancia puedes aumentar la resistencia al correr tan seguido como puedas sé constante con tu

cuaderno para corredores mejora tu rendimiento al correr - Jan 16 2022

web cuaderno para corredores mejora tu rendimiento al correr registrando todos tus entrenamientos cuaderno para runners o aficionados al running libreta para

entrenamiento de fuerza para corredores 1 propuesta - Mar 30 2023

web entrenamiento de fuerza en corredores mejora tu rendimiento y previene lesiones hola a todos los apasionados del running si estás buscando alcanzar tu máximo potencial

mp3408 body systems answer key form signnow - Jun 19 2023

web quick steps to complete and e sign the respiratory system fill in the blanks answer key online use get form or simply click on the template preview to open it in the editor start completing the fillable fields and carefully type in required information use the cross or check marks in the top toolbar to select your answers in the list boxes

mp3408 body systems form signnow - Aug 21 2023

web mp3408 body systems digestive system answer key check out how easy it is to complete and esign documents online using fillable templates and a powerful editor get everything done in minutes

free mb3 408 exam dumps free mb3 408 exam questions answers - Mar 04 2022

web get free mb3 408 exam dumps for mb3 408 certification exam preparation our exam dumps are updated and verified by

experts download now and pass your exam with confidence free examdumps com offers a wide range of certification exam dumps for free

[mp3408 body systems circulatory answer key pdf copy](#) - Jun 07 2022

web mp3408 body systems circulatory answer key pdf introduction mp3408 body systems circulatory answer key pdf copy eine nacht voller seligkeit sexy romance bella andre 2021 08 26 bats gr 3 5 georgina kucherik 2021 06 04 in ghost stories no haunted house is complete without a few bats flying around

mp3408 body systems fill and sign printable template online - Mar 16 2023

web complete mp3408 body systems online with us legal forms easily fill out pdf blank edit and sign them save or instantly send your ready documents

[mp3408 body systems fill online printable fillable blank](#) - Apr 17 2023

web fill mp3408 body systems edit online sign fax and printable from pc ipad tablet or mobile with pdffiller instantly try now

mp3408 body systems currclick copy - May 06 2022

web mp3408 body systems answer key answers for 2023 exams downloads mp3408 body systems answer key most popular 4436 kb s 3152 mp3408 body systems answer key 253 kb s 3341 mp3408 body systems answer key added by users 285 kb s 3114 keys to the best hvac systems in the summertime nothing is more refreshing than stepping into

mp3408 body systems circulatory answer key copy - Jan 14 2023

web mp3408 body systems circulatory answer key discover body systems apr 11 2023 the activities in this book explain elementary concepts in the study of the human body including the respiratory digestive excretory circulatory nervous skeletal and muscular systems general background information

mp3408 body systems circulatory answer key trembach vera - Feb 15 2023

web of this mp3408 body systems circulatory answer key by online you might not require more grow old to spend to go to the book creation as skillfully as search for them in some cases you likewise realize not discover the pronouncement mp3408 body systems circulatory answer key that you are looking for it will unquestionably squander the time

mp3408 body systems answer key db udrive - Oct 11 2022

web mp3408 body systems answer key 1 mp3408 body systems answer key eventually you will extremely discover a other experience and ability by spending more cash nevertheless when accomplish you resign yourself to

[mp3408 body systems answer key pdf remotestaff com](#) - Nov 12 2022

web list of file mp3408 body systems answer key page title 1 case studies for understanding the human body 2 100 questions about the human body 3 your body and how it works grades 5 8 4 glencoe science human body systems 5 human body 6 body structures and functions 7 how does my body work human body book for kids

mp3408 body systems circulatory answer key stage gapinc - Apr 05 2022

web 2 mp3408 body systems circulatory answer key 2022 08 04 well as many examples and applications new material on inequalities counting methods the inclusion exclusion principle and euler s phi function numerous new exercises with solutions to the odd numbered ones through careful explanations and examples this popular

[*mp3408 body systems circulatory answer key pdf*](#) - Sep 10 2022

web mp3408 body systems circulatory answer key 3 3 and nerves students will learn the main parts of the nervous system and how each works also investigate the organs of the five senses and then take a trip around the respiratory system find out exactly where air goes when we breathe it in and then out reading passages comprehension

[*mp3408 body systems answer key answers for 2023 exams*](#) - Oct 23 2023

web download mp3408 body systems answer key filename speed downloads mp3408 body systems answer key most popular 4436 kb s 3152 mp3408 body systems answer key 253 kb s 3341 mp3408 body systems answer key added by users 285 kb s 3114 keys to the best hvac systems in the summertime nothing is more

mp3408 body systems answer key 2022 getasteria - Jul 08 2022

web 2 mp3408 body systems answer key 2022 12 25 includes a number of special features with fun easy to prepare activities that cover topics from the three main branches of science physical science earth science and life science clear step by step instructions foster independent learning guided questions help develop observation and critical

[mp3408 body systems ccp interactive](#) - Sep 22 2023

web the activities in this book explain elementary concepts in the study of the human body including the respiratory digestive excretory circulatory nervous skeletal and muscular systems general background information suggested activities questions for discussion and answers are included

[mp3408 body systems fill online printable fillable blank](#) - Jul 20 2023

web download mp3408 body systems respiratory system answer key review and download this complete user guide or troubleshooting section mp3408 body systems respiratory system answer key to provides the answer and then for any potential benefit

[introduction mp3408 body systems answer key pdf](#) - Dec 13 2022

web mp3408 body systems answer key 2017 08 28 5 9 mp3408 body systems answer key 2023 we will extend the addition property of equality to say that when you add equal quantities to both sides of an equation the results are equal for any expressions a b c and d if a b and c d then a c b d to solve a system of equations by elimination

[download file mp3408 body systems respiratory system answer key](#) - May 18 2023

web apr 6 2023 download file mp3408 body systems respiratory system answer key pdf free copy electrical motor controls

for integrated systems grade 7 science study guide with answer key grade 10 biology multiple choice questions and answers
mcqs histology study guide with answer key zoology study guide with answer key 7th

download file mp3408 body systems answer key read pdf - Aug 09 2022

web electrical electronic systems troubleshooting electrical electronic systems embedded systems 5eng earth and space
systems student journal answer key 2nd edition res answer key environmental systems cells skeletal muscular systems the
skeletal system joints cartilage gr 5 8 fluid power systems operating systems

bihar al anwaar hubeali com - Oct 07 2023

web bihar al anwaar by sheikh muhammad baqir al majlisi volume 1 volume 2 volume 3 volume 4 volume 5 volume 6 volume
7 volume 8

bahar ul anwar volume 81 110 umair mirza archive org - Oct 27 2022

web apr 13 2018 bahar ul anwar volume 81 110 by umair mirza publication date 2018 04 13 usage attribution

noncommercial noderivs 4 0 international topics shia hadees fiqah collection booksbylanguage arabic booksbylanguage
language arabic 110 ۱۱۰ ۸۱ ۱۱۱۱ ۱۱۱۱۱۱ ۱۱۱۱۱ ۱۱۱۱۱۱ ۱۱۱۱۱۱۱۱ ۱۱۱۱۱

bihar al anwaar v 30 allama baqar majlisi archive org - Jun 03 2023

web aug 31 2021 bihar al anwaar v 30 by allama baqar majlisi publication date 2021 08 31 topics history collection

opensource language english history addeddate 2021 08 31 15 44 18 identifier bihar al anwaar v 30 identifier ark ark 13960
t25c2f22p ocr tesseract 5 0 0 alpha 20201231 10 g1236 ocr detected lang en ocr detected lang conf

behar ul anwar urdu jabir abbas free download borrow - Aug 05 2023

web may 14 2018 behar ul anwar urdu jabir abbas free download borrow and streaming internet archive

bahar ul anwar volume 03 allama baqir majlisi archive org - Jul 04 2023

web jan 1 1998 bahar ul anwar volume 03 allama baqir majlisi addeddate 2017 11 23 07 47 33 biharulanwar jild3 identifier
baharulanwarvolume03allamabaqirmajlisi identifier ark ark 13960 t03z4mb38

bihar al anwar the most comprehensive encyclopedia of - Dec 29 2022

web here we present an abstract of each of the original 25 volumes of the bihar al anwar with the numbers between the
brackets indicating the new 110 volume print volume no i vols 2 3

the book of bihar al anwar al shia - May 02 2023

web bihar al anwar is the most comprehensive shi a hadith collection written under supervision of al allama al majlisi writing
of this book which is a collection of shi a teachings lasted more than 30 years and a group of al allama al majlisi s students
helped him in this task

bihar ul anwar volumes 1 7 the enlightened to shia islam - Jan 30 2023

novel scientific research as competently as various new sorts of books

bihar a lanwaar volume 20 archive org - Feb 16 2022

web bihar ul anwar vol 21 hubeali com 3 out of 368 باب 22 فروع الفقه على مذهب الإمام أحمد بن حنبل chapter 22 military expedition of khyber and fadak and the advent of ja far bin abu talibasws باب الفقه على مذهب الإمام أحمد بن حنبل باب الفقه على مذهب الإمام أحمد بن حنبل باب الفقه على مذهب الإمام أحمد بن حنبل باب الفقه على مذهب الإمام أحمد بن حنبل باب الفقه على مذهب الإمام أحمد بن حنبل باب الفقه على مذهب الإمام أحمد بن حنبل باب الفقه على مذهب الإمام أحمد بن حنبل باب الفقه على مذهب الإمام أحمد بن حنبل باب الفقه على مذهب الإمام أحمد بن حنبل باب الفقه على مذهب الإمام أحمد بن حنبل

biḥār al anwār brill brillonline - Nov 27 2022

web bibliography biḥār al anwār the magnum opus of muḥammad bāqir al majlisī d 1037 1110 or 1111 1628 1698 or 1699 consisting of an encyclopaedic compendium of shī‘i ḥadīth the full title of the work is biḥār al anwār al jāmi‘a li durar akhbār al a‘imma al aṭḥār

bihar al anwar wikipedia - Apr 01 2023

web bihar al anwar arabic بيهار الانوار رومانيزيد بيهار الانوار lit seas of lights is a comprehensive collection of traditions ahadith compiled by shia scholar mohammad baqer majlesi d 1110 1698 known as allama majlisi

bihar ul anwar cyberlab suttu.edu.sg - Feb 28 2023

web bihar ul anwar bihar al anwaar may 02 2023 section 1 chapters of the interpretations of the verses and the important the volume itself is an excerpt from the monumental seventeenth century hadith collection wasail al shiah and it is the first selection from wasail al shiah to have been translated into english as such it