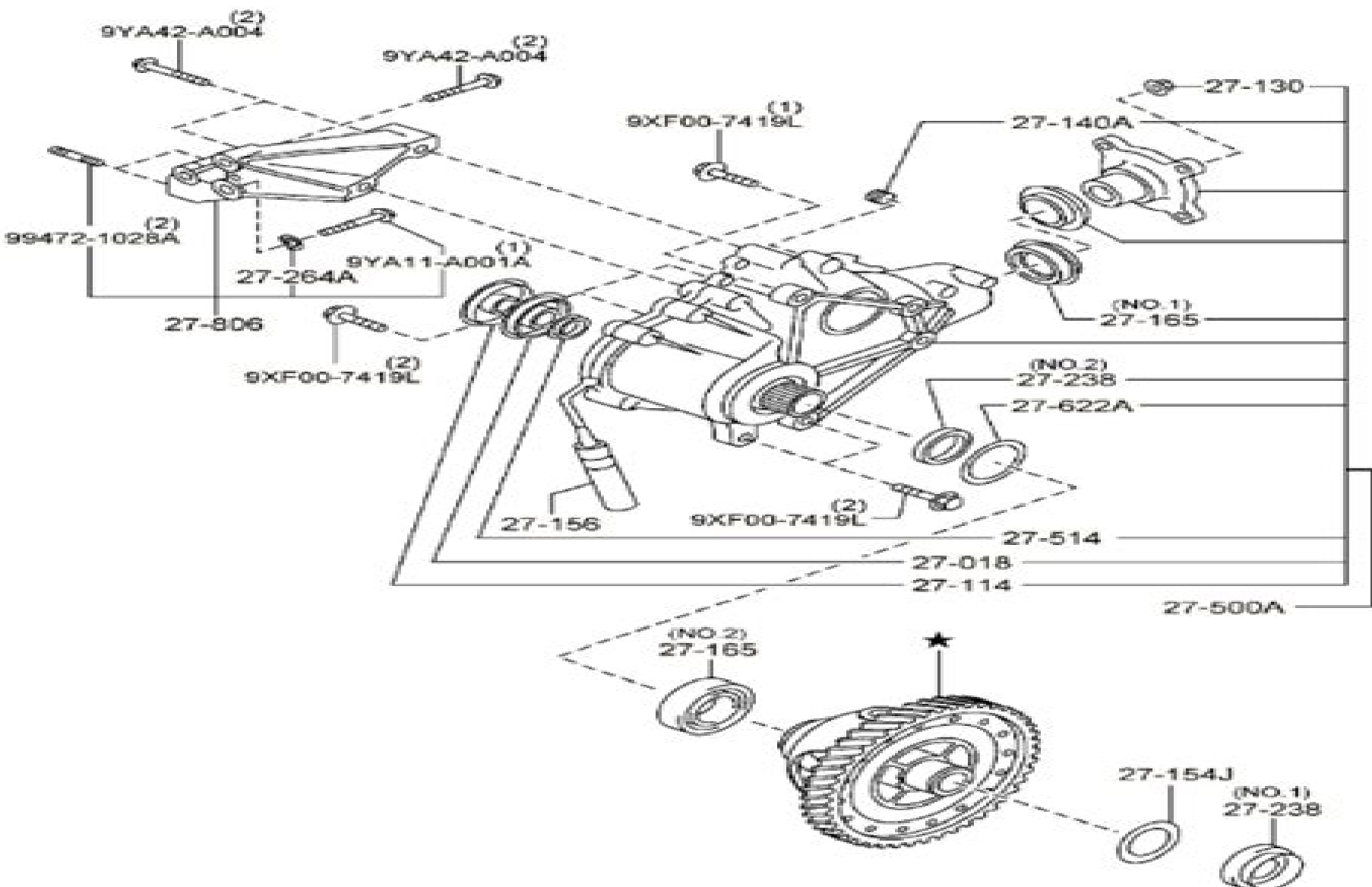


★ This part is not serviced.



RING GEAR & CASE and BEARING is not serviced separately.  
It is included in 1910/19-090A

# Mazda Cx9 Transfer Case Manual

**RJ Shavelson**



## **Mazda Cx9 Transfer Case Manual:**

The book delves into Mazda Cx9 Transfer Case Manual. Mazda Cx9 Transfer Case Manual is a crucial topic that needs to be grasped by everyone, from students and scholars to the general public. The book will furnish comprehensive and in-depth insights into Mazda Cx9 Transfer Case Manual, encompassing both the fundamentals and more intricate discussions.

1. The book is structured into several chapters, namely:
    - Chapter 1: Introduction to Mazda Cx9 Transfer Case Manual
    - Chapter 2: Essential Elements of Mazda Cx9 Transfer Case Manual
    - Chapter 3: Mazda Cx9 Transfer Case Manual in Everyday Life
    - Chapter 4: Mazda Cx9 Transfer Case Manual in Specific Contexts
    - Chapter 5: Conclusion
  2. In chapter 1, the author will provide an overview of Mazda Cx9 Transfer Case Manual. The first chapter will explore what Mazda Cx9 Transfer Case Manual is, why Mazda Cx9 Transfer Case Manual is vital, and how to effectively learn about Mazda Cx9 Transfer Case Manual.
  3. In chapter 2, the author will delve into the foundational concepts of Mazda Cx9 Transfer Case Manual. This chapter will elucidate the essential principles that must be understood to grasp Mazda Cx9 Transfer Case Manual in its entirety.
  4. In chapter 3, this book will examine the practical applications of Mazda Cx9 Transfer Case Manual in daily life. The third chapter will showcase real-world examples of how Mazda Cx9 Transfer Case Manual can be effectively utilized in everyday scenarios.
  5. In chapter 4, this book will scrutinize the relevance of Mazda Cx9 Transfer Case Manual in specific contexts. The fourth chapter will explore how Mazda Cx9 Transfer Case Manual is applied in specialized fields, such as education, business, and technology.
  6. In chapter 5, this book will draw a conclusion about Mazda Cx9 Transfer Case Manual. This chapter will summarize the key points that have been discussed throughout the book.
- The book is crafted in an easy-to-understand language and is complemented by engaging illustrations. This book is highly recommended for anyone seeking to gain a comprehensive understanding of Mazda Cx9 Transfer Case Manual.

[https://staging.conocer.cide.edu/public/uploaded-files/Documents/Face\\_Au\\_Dragon.pdf](https://staging.conocer.cide.edu/public/uploaded-files/Documents/Face_Au_Dragon.pdf)

## **Table of Contents Mazda Cx9 Transfer Case Manual**

1. Understanding the eBook Mazda Cx9 Transfer Case Manual
  - The Rise of Digital Reading Mazda Cx9 Transfer Case Manual
  - Advantages of eBooks Over Traditional Books
2. Identifying Mazda Cx9 Transfer Case Manual
  - Exploring Different Genres
  - Considering Fiction vs. Non-Fiction
  - Determining Your Reading Goals
3. Choosing the Right eBook Platform
  - Popular eBook Platforms
  - Features to Look for in an Mazda Cx9 Transfer Case Manual
  - User-Friendly Interface
4. Exploring eBook Recommendations from Mazda Cx9 Transfer Case Manual
  - Personalized Recommendations
  - Mazda Cx9 Transfer Case Manual User Reviews and Ratings
  - Mazda Cx9 Transfer Case Manual and Bestseller Lists
5. Accessing Mazda Cx9 Transfer Case Manual Free and Paid eBooks
  - Mazda Cx9 Transfer Case Manual Public Domain eBooks
  - Mazda Cx9 Transfer Case Manual eBook Subscription Services
  - Mazda Cx9 Transfer Case Manual Budget-Friendly Options
6. Navigating Mazda Cx9 Transfer Case Manual eBook Formats
  - ePub, PDF, MOBI, and More
  - Mazda Cx9 Transfer Case Manual Compatibility with Devices
  - Mazda Cx9 Transfer Case Manual Enhanced eBook Features
7. Enhancing Your Reading Experience
  - Adjustable Fonts and Text Sizes of Mazda Cx9 Transfer Case Manual
  - Highlighting and Note-Taking Mazda Cx9 Transfer Case Manual
  - Interactive Elements Mazda Cx9 Transfer Case Manual
8. Staying Engaged with Mazda Cx9 Transfer Case Manual

- Joining Online Reading Communities
  - Participating in Virtual Book Clubs
  - Following Authors and Publishers Mazda Cx9 Transfer Case Manual
9. Balancing eBooks and Physical Books Mazda Cx9 Transfer Case Manual
- Benefits of a Digital Library
  - Creating a Diverse Reading Collection Mazda Cx9 Transfer Case Manual
10. Overcoming Reading Challenges
- Dealing with Digital Eye Strain
  - Minimizing Distractions
  - Managing Screen Time
11. Cultivating a Reading Routine Mazda Cx9 Transfer Case Manual
- Setting Reading Goals Mazda Cx9 Transfer Case Manual
  - Carving Out Dedicated Reading Time
12. Sourcing Reliable Information of Mazda Cx9 Transfer Case Manual
- Fact-Checking eBook Content of Mazda Cx9 Transfer Case Manual
  - Distinguishing Credible Sources
13. Promoting Lifelong Learning
- Utilizing eBooks for Skill Development
  - Exploring Educational eBooks
14. Embracing eBook Trends
- Integration of Multimedia Elements
  - Interactive and Gamified eBooks

## **Mazda Cx9 Transfer Case Manual Introduction**

In today's digital age, the availability of Mazda Cx9 Transfer Case Manual books and manuals for download has revolutionized the way we access information. Gone are the days of physically flipping through pages and carrying heavy textbooks or manuals. With just a few clicks, we can now access a wealth of knowledge from the comfort of our own homes or on the go. This article will explore the advantages of Mazda Cx9 Transfer Case Manual books and manuals for download, along with some popular platforms that offer these resources. One of the significant advantages of Mazda Cx9 Transfer Case Manual books and manuals for download is the cost-saving aspect. Traditional books and manuals can be costly, especially if you

need to purchase several of them for educational or professional purposes. By accessing Mazda Cx9 Transfer Case Manual versions, you eliminate the need to spend money on physical copies. This not only saves you money but also reduces the environmental impact associated with book production and transportation. Furthermore, Mazda Cx9 Transfer Case Manual books and manuals for download are incredibly convenient. With just a computer or smartphone and an internet connection, you can access a vast library of resources on any subject imaginable. Whether you're a student looking for textbooks, a professional seeking industry-specific manuals, or someone interested in self-improvement, these digital resources provide an efficient and accessible means of acquiring knowledge. Moreover, PDF books and manuals offer a range of benefits compared to other digital formats. PDF files are designed to retain their formatting regardless of the device used to open them. This ensures that the content appears exactly as intended by the author, with no loss of formatting or missing graphics. Additionally, PDF files can be easily annotated, bookmarked, and searched for specific terms, making them highly practical for studying or referencing. When it comes to accessing Mazda Cx9 Transfer Case Manual books and manuals, several platforms offer an extensive collection of resources. One such platform is Project Gutenberg, a nonprofit organization that provides over 60,000 free eBooks. These books are primarily in the public domain, meaning they can be freely distributed and downloaded. Project Gutenberg offers a wide range of classic literature, making it an excellent resource for literature enthusiasts. Another popular platform for Mazda Cx9 Transfer Case Manual books and manuals is Open Library. Open Library is an initiative of the Internet Archive, a non-profit organization dedicated to digitizing cultural artifacts and making them accessible to the public. Open Library hosts millions of books, including both public domain works and contemporary titles. It also allows users to borrow digital copies of certain books for a limited period, similar to a library lending system. Additionally, many universities and educational institutions have their own digital libraries that provide free access to PDF books and manuals. These libraries often offer academic texts, research papers, and technical manuals, making them invaluable resources for students and researchers. Some notable examples include MIT OpenCourseWare, which offers free access to course materials from the Massachusetts Institute of Technology, and the Digital Public Library of America, which provides a vast collection of digitized books and historical documents. In conclusion, Mazda Cx9 Transfer Case Manual books and manuals for download have transformed the way we access information. They provide a cost-effective and convenient means of acquiring knowledge, offering the ability to access a vast library of resources at our fingertips. With platforms like Project Gutenberg, Open Library, and various digital libraries offered by educational institutions, we have access to an ever-expanding collection of books and manuals. Whether for educational, professional, or personal purposes, these digital resources serve as valuable tools for continuous learning and self-improvement. So why not take advantage of the vast world of Mazda Cx9 Transfer Case Manual books and manuals for download and embark on your journey of knowledge?

## FAQs About Mazda Cx9 Transfer Case Manual Books

How do I know which eBook platform is the best for me? Finding the best eBook platform depends on your reading preferences and device compatibility. Research different platforms, read user reviews, and explore their features before making a choice. Are free eBooks of good quality? Yes, many reputable platforms offer high-quality free eBooks, including classics and public domain works. However, make sure to verify the source to ensure the eBook credibility. Can I read eBooks without an eReader? Absolutely! Most eBook platforms offer webbased readers or mobile apps that allow you to read eBooks on your computer, tablet, or smartphone. How do I avoid digital eye strain while reading eBooks? To prevent digital eye strain, take regular breaks, adjust the font size and background color, and ensure proper lighting while reading eBooks. What the advantage of interactive eBooks? Interactive eBooks incorporate multimedia elements, quizzes, and activities, enhancing the reader engagement and providing a more immersive learning experience. Mazda Cx9 Transfer Case Manual is one of the best book in our library for free trial. We provide copy of Mazda Cx9 Transfer Case Manual in digital format, so the resources that you find are reliable. There are also many Ebooks of related with Mazda Cx9 Transfer Case Manual. Where to download Mazda Cx9 Transfer Case Manual online for free? Are you looking for Mazda Cx9 Transfer Case Manual PDF? This is definitely going to save you time and cash in something you should think about. If you trying to find then search around for online. Without a doubt there are numerous these available and many of them have the freedom. However without doubt you receive whatever you purchase. An alternate way to get ideas is always to check another Mazda Cx9 Transfer Case Manual. This method for see exactly what may be included and adopt these ideas to your book. This site will almost certainly help you save time and effort, money and stress. If you are looking for free books then you really should consider finding to assist you try this. Several of Mazda Cx9 Transfer Case Manual are for sale to free while some are payable. If you arent sure if the books you would like to download works with for usage along with your computer, it is possible to download free trials. The free guides make it easy for someone to free access online library for download books to your device. You can get free download on free trial for lots of books categories. Our library is the biggest of these that have literally hundreds of thousands of different products categories represented. You will also see that there are specific sites catered to different product types or categories, brands or niches related with Mazda Cx9 Transfer Case Manual. So depending on what exactly you are searching, you will be able to choose e books to suit your own need. Need to access completely for Campbell Biology Seventh Edition book? Access Ebook without any digging. And by having access to our ebook online or by storing it on your computer, you have convenient answers with Mazda Cx9 Transfer Case Manual To get started finding Mazda Cx9 Transfer Case Manual, you are right to find our website which has a comprehensive collection of books online. Our library is the biggest of these that have literally hundreds of thousands of different products represented. You will also see that there are specific sites catered to different categories or niches related with Mazda Cx9 Transfer Case Manual So depending on what



exactly you are searching, you will be able to choose ebook to suit your own need. Thank you for reading Mazda Cx9 Transfer Case Manual. Maybe you have knowledge that, people have search numerous times for their favorite readings like this Mazda Cx9 Transfer Case Manual, but end up in harmful downloads. Rather than reading a good book with a cup of coffee in the afternoon, instead they juggled with some harmful bugs inside their laptop. Mazda Cx9 Transfer Case Manual is available in our book collection an online access to it is set as public so you can download it instantly. Our digital library spans in multiple locations, allowing you to get the most less latency time to download any of our books like this one. Merely said, Mazda Cx9 Transfer Case Manual is universally compatible with any devices to read.

### **Find Mazda Cx9 Transfer Case Manual :**

**face au dragon**

fabulous food recipe

fairy tale cakes 17 enchanted creations 1st edition

*factoring trinomials basic answers to apex 1 b algebra*

faksa paper application 2012012

**fahrenheit 451 part 1 study guide answers**

factory repair manual vw mk1

~~factory reset blackberry bold 9800~~

**factory reset macbook air 2011**

~~fake news toyota driving a hard bargain english edition~~

~~facilitator guide formats~~

**factoring trinomials ax<sup>2</sup> bx c worksheet algebra if8762**

~~faculty of economic and management~~

fake std results

factory appliance service houston

### **Mazda Cx9 Transfer Case Manual :**

**systa mes a microprocesseurs tome 4 systa mes d e pdf pdf** - May 01 2022

web systa mes a microprocesseurs tome 4 systa mes d e pdf systa mes a microprocesseurs tome 4 systa mes d e pdf book review unveiling the magic of language in a digital era where connections and knowledge reign supreme the enchanting

power of language has become more apparent than ever

[systa mes a microprocesseurs tome 4 systa mes d e 2022](#) - Jan 29 2022

web systa mes a microprocesseurs tome 4 systa mes d e downloaded from [faq workoutmeals com au](#) by guest collins vang software organisation for economic co operation and development washington d c oecd publications and information center this volume aims to present a large panel of techniques for the study of plant

[systa mes a microprocesseurs tome 4 systa mes d e](#) - Aug 04 2022

web systa mes a microprocesseurs tome 4 systa mes d e 3 6 downloaded from [uniport edu ng](#) on may 12 2023 by guest non governmental organizations to bring together the scientific world this publication offers an inside perspective on the past six decades of this engagement the volume traces through six parts the role played by

**systa mes a microprocesseurs tome 4 systa mes d e pdf** - Jul 15 2023

web apr 8 2023 systa mes a microprocesseurs tome 4 systa mes d e pdf when people should go to the book stores search foundation by shop shelf by shelf it is in point of fact problematic this is why we offer the ebook compilations in this website it will very ease you to see guide systa mes a microprocesseurs tome 4 systa mes d e pdf as you such as

[systa mes a microprocesseurs tome 4 systa mes d e pdf](#) - May 13 2023

web recognizing the quirk ways to get this ebook systa mes a microprocesseurs tome 4 systa mes d e is additionally useful you have remained in right site to begin getting this info acquire the systa mes a microprocesseurs tome 4 systa mes d e colleague that we come up with the money for here and check out the link you could buy lead systa

[systa mes a microprocesseurs tome 4 systa mes d e](#) - Sep 05 2022

web 2 systa mes a microprocesseurs tome 4 systa mes d e 2020 03 22 of agents in europe this book contains a classified directory of electronic products and services where both manufacturers and agents are listed this edition is organized into two sections section 1 provides details of manufacturers including number of employees production

**le microprocesseur 4 iste editions iste group** - Oct 06 2022

web bien connaître ses mécanismes internes et sa programmation est essentiel pour comprendre et maîtriser le fonctionnement d un ordinateur et les concepts évolués de programmation le microprocesseur 4 traite des deux premières générations de microprocesseurs c est à dire celles qui manipulent les entiers aux formats de 4 et 8

[systa mes a microprocesseurs tome systa mes d e](#) - Feb 27 2022

web systa mes a microprocesseurs tome systa mes d e microcontroller wikibooks open embedded exercices corriga c s de da c veloppement systa m alternance cultivez les talents de demain intel pentium les premiers pentium sont sortis aux fr amp eacute quences d horloge de 66 et 60

**systa mes a microprocesseurs tome 4 systa mes d e** - Aug 16 2023

web sista mes a microprocesseurs tome 4 sista mes d e is available in our book collection an online access to it is set as public so you can download it instantly our digital library spans in multiple locations allowing you to get the most less latency time to download any of our books like this one

**sista mes a microprocesseurs tome 4 sista mes d e pdf** - Dec 08 2022

web nov 21 2022 sista mes a microprocesseurs tome 4 sista mes d e is available in our digital library an online access to it is set as public so you can download it instantly our digital library spans in multiple locations allowing

**sista mes a microprocesseurs tome 4 sista mes d e pdf gcca** - Jun 14 2023

web mar 21 2023 recognizing the pretentiousness ways to acquire this book sista mes a microprocesseurs tome 4 sista mes d e pdf is additionally useful you have remained in right site to begin getting this info acquire the sista mes a microprocesseurs tome 4 sista mes d e pdf member that we give here and check out the link

*sista mes a microprocesseurs tome 4 sista mes d e copy* - Mar 11 2023

web jul 4 2023 sista mes a microprocesseurs tome 4 sista mes d e 1 10 downloaded from uniport edu ng on july 4 2023 by guest sista mes a microprocesseurs tome 4 sista mes d e right here we have countless book sista mes a microprocesseurs tome 4 sista mes d e and collections to check out

*sista mes a microprocesseurs tome 4 sista mes d e* - Mar 31 2022

web jan 22 2023 4 4 sista mes a microprocesseurs tome 4 sista mes d e 2021 10 23 world s largest global it media network the intel microprocessors elsevier this book synthesizes the results of the seventh in a successful series of workshops that were established by shanghai jiao tong university and technische universität berlin

**sista mes a microprocesseurs tome 4 sista mes d e pdf full** - Nov 07 2022

web mar 26 2023 we allow sista mes a microprocesseurs tome 4 sista mes d e pdf and numerous ebook collections from fictions to scientific research in any way accompanied by them is this sista mes a microprocesseurs tome 4 sista mes d e pdf that can be your partner sista mes a microprocesseurs tome 4 sista mes d e pdf

le processeur ou microprocesseur apcpedagogie - Dec 28 2021

web feb 25 2018 fonctionnement d un processeur ou microprocesseur le processeur noté cpu pour central processing unit est un circuit électronique cadencé au rythme d une horloge interne grâce à un cristal de quartz qui soumis à un courant électrique envoie des impulsions appelées top

**un syst me microprocesseur pdf filename utf 8 un** - Feb 10 2023

web ummto campus tamda ii département des sciences appliquées et technologie cours calculateurs et interfaces i un système à microprocesseur un système à microprocesseur est constitué principalement des trois éléments suivant un microprocesseur cpu une mémoire rom et ram des ports d entrées sorties ces

[systa mes a microprocesseurs tome 4 systa mes d e pdf](#) - Jul 03 2022

web systa mes a microprocesseurs tome 4 systa mes d e downloaded from jmsseniorliving com by guest gabrielle marsh canadiana john wiley sons from simon schuster microcosm is the provocative national bestseller by the author of wealth and poverty george gilder s microcosm is the crystal ball of the next technological era

**systa mes a microprocesseurs tome 4 systa mes d e pdf** - Jun 02 2022

web systa mes a microprocesseurs tome 4 systa mes d e pdf right here we have countless books systa mes a microprocesseurs tome 4 systa mes d e pdf and collections to check out we additionally give variant types and moreover type of the books to browse the satisfactory

**systa mes a microprocesseurs tome 4 systa mes d e pdf** - Jan 09 2023

web systa mes a microprocesseurs tome 4 systa mes d e pdf this is likewise one of the factors by obtaining the soft documents of this systa mes a microprocesseurs tome 4 systa mes d e pdf by online you might not require more period to spend to go to the books initiation as capably as search for them in some cases you likewise realize not

**systa mes a microprocesseurs tome 4 systa mes d e steven l** - Apr 12 2023

web systa mes a microprocesseurs tome 4 systa mes d e as one of the most on the go sellers here will unquestionably be in the midst of the best options to review new headway english course john soars 2000 a new edition with a modified syllabus and extensive new material real time systems hermann kopetz 2006 04 18

**kostenlose kurse und tutorials zum thema zeichnen udemy** - Jun 01 2022

web lerne zeichnen von erstklassigen dozenten finde die besten zeichenklassen für dein niveau und deine anforderungen lerne zum beispiel einfache ideen zum zeichnen zu entwickeln skizzieren illustrieren das zeichnen von landschaften porträts und mehr meistere deine bleistiftzeichnungen und lerne wie du die neuesten digitalen

*die besten zeichenprogramme kostenlos chip* - Jun 13 2023

web zum zeichnen braucht man längst nicht mehr papier und stifte viele bekannte künstler und illustratoren arbeiten mittlerweile ausschließlich digital mit welchen gratis tools sie am pc am besten

**vor und nachteile des digitalen zeichnens art rocket clip** - Dec 07 2022

web zum digitalen zeichnen brauchst du ein zeichenprogramm das du auf deinem pc installierst und ein grafiktablett auf dem du mit einem stift zeichnen kannst du kannst auch mit der maus zeichnen aber das ist etwas gewöhnungsbedürftig hier zeigen wir dir die vorteile die das digitale zeichnen mit sich bringt 1 einfache korrektoren

**die besten zeichenprogramme und apps im vergleich 2023** - Jul 02 2022

web die besten zeichenprogramme und apps im vergleich 2023 dies ist ein Überblick über die top 11 aller kostenlosen und kostenpflichtigen zeichenprogramme damit du das richtige programm für dich finden kannst app digital zeichnen

digital zeichnen 7 möglichkeiten am pc zu malen Überblick - Aug 03 2022

web jul 2 2021 digitales zeichnen die 7 möglichkeiten es gibt einige möglichkeiten digital zu zeichnen man kann mit einem digitalen stift arbeiten mit der computermaus oder mit dem smartphone zeichnungen erstellen es gibt auf alle fälle genug möglichkeiten sodass für jeden etwas dabei ist

**digitales zeichnen online kurs am tablet oder pc zeichnen** - Sep 04 2022

web 69 99 get started diesen kurs belegen online kurs digitales zeichnen logge dich jetzt ein oder hol dir direkt den kurs login mit diesem zeichnkurs wirst du schnell und einfach die grundlagen des digitalen zeichnens erlernen und dein können dann anhand der vielen praxisorientierten Übungen vertiefen

**software für digitales zeichnen amp skizzieren autodesk** - Mar 10 2023

web software für digitales zeichnen und skizzieren erhalten sie zugriff auf schnelle und leistungsstarke werkzeuge für kreatives skizzieren entdecken sie das programm für digitales zeichnen und skizzieren für konzeptkünstler illustratoren designer architekten und zeichner

**digitales zeichnen die ersten schritte für einsteiger heyhobby de** - Feb 26 2022

web jun 21 2023 beim digitalen zeichnen oder auch digital art genannt wird durch ein digitales medium kunst geschaffen so hast du zwar nicht das materielle gefühl von stift und papier aber hast dafür viele möglichkeiten die dir das zeichnen einfacher machen

**clip studio paint die zeichen und malapp für alle künstler** - Feb 09 2023

web clip studio paint ex ideal für comics manga webtoons animationen windows macos ipad iphone galaxy android chromebook gratis testen windows macos ipad iphone galaxy android chromebook 1 jahres plan für ein gerät bestellen 50 rabatt 63 99 31 99 nur für windows macos einzelkauf jetzt kaufen

**digital zeichnen für einsteiger art rocket clip studio** - Jul 14 2023

web hier findest du alle grundlegenden infos zum digitalen zeichnen von den nötigen werkzeugen bis hin zum allgemeinen arbeitsablauf tutorials diese tutorials und interviews geben dir einen einblick in die themen concept art

digitales zeichnen online kurs jetzt zeichnen am pc tablet - Nov 06 2022

web digital zeichnen lernen direkter zugriff mit allen updates keine monatlichen kosten einfach digital zeichnen lernen mit diesem kurs lernst du grundlagen des digitalen zeichnens alles über die benötigte hard software alles über die richtige auflösung gröÙe von bildern komplette einföhrung in digitale zeichenwerkzeuge

digitales zeichnen Übersicht und eine komplette einföhrung - May 12 2023

web das digitale zeichnen kann für jede art von kunst eingesetzt werden von cartoons comics und mangas bis hin zu realistischen zeichnungen es wird aber auch für animationen und grafikdesign verwendet vorteile deswegen solltest du jetzt

mit dem digitalen zeichnen anfangen

**software für digitales malen und zeichnen adobe** - Jan 08 2023

web kostenlos testen grafiken zum leben erwecken nutze intuitive animations tools um deinen designs leben einzuhauchen  
lade grafiken aus illustrator photoshop oder after effects in adobe character animator und animiere sie

**digitales zeichnen eine anleitung in 7 einfachen schritten** - Oct 05 2022

web möchtest du digitales zeichnen lernen dann schau für ein paar tipps vorbei anhand eines beispiels erklärt so lernst du  
mit deinem grafikmonitor umzugehen

**digital zeichnen 5 tipps für anfänger chip** - Apr 30 2022

web jan 21 2021 wenn sie digital zeichnen möchten dann sollten sie sich zunächst das richtige programm sowie ein  
grafiktablett besorgen anschließend können sie mit dem zeichnen loslegen grafiktablett

*sketchpad zeichnen erschaffen teilen* - Aug 15 2023

web sketchpad kostenlose online zeichnen app für alle altersstufen erschaffe digitale kunst die du online teilen und in beliebte  
bildformate exportieren kannst jpeg png svg und pdf

equipment zum digitalen zeichnen einsteiger art rocket - Apr 11 2023

web die auswahl der richtigen software spielt beim digitalen zeichnen eine entscheidende rolle du solltest dein programm  
passend dazu auswählen was du zeichnen möchtest ob illustrationen comics porträts anime stil aquarellmalerei

*digital zeichnen mit diesen programmen und tablets otto* - Dec 27 2021

web may 8 2020 digitales zeichnen ist mit speziellen tablets und programmen ganz einfach updated erklärt wie du es  
angehst und welche geräte und software dabei helfen toggle navigation live relax audio video und kameras audio fernseher  
fotografieren video heimkino haus und garten

*ideal für einsteiger 13 zeichentablets zur auswahl 2023* - Jan 28 2022

web digital malen illustration was für zeichen und grafiktablets gibt es denn

digital zeichnen und malen für anfänger clip studio paint tutorial - Mar 30 2022

web oct 8 2022 willkommen zum clip studio paint tutorial das heutige video richtet sich an einsteiger ins digitale malen und  
zeichnen dafür arbeiten wir heute mit dem pro

**paper bag bird puppet dltk s crafts for kids** - Jun 13 2023

web paper bag bird puppet contributed by leanne guenther this is a fun and easy cut and paste paper craft that uses a paper  
bag as a base to make a bird puppet materials a paper lunch bag brown or white will work green paint or green paper a  
printer some crayons scissors glue paper for the printer optional big wiggly eyes print the

*bird paper bag puppet scholastic pdf opendoors cityandguilds* - Aug 03 2022

web bird paper bag puppet scholastic downloaded from opendoors cityandguilds com by guest may sarai i know a wee piggy scholastic inc originally published new york orchard books 1990 the star wars craft book harperfestival everything you need for a fantastic first year the secret of the fortune wookiee origami yoda 3 cartwheel books

**pin on kids pinterest** - Aug 15 2023

web create a paperbag puppet using this bird pattern scholastic 96k followers puppet patterns bird patterns bird puppet fun fly paper bag puppets guided reading levels word pictures brown bags mini books

**56 easy fun paper bag puppets with templates** - Dec 27 2021

web may 18 2023 summer paper bag artisan mermaid crafts are enjoyment and easy to produce over equal a some materials make a mermaid color bag craft in under ten minutes from paper bags markers and colored paper bring few tint and summertime play into you home this cinco de mayo about a paper case cactus craft this rocket puppet is great

pin on aguila pinterest - Apr 30 2022

web scholastic 96k followers preschool christmas crafts eagle drawing paper bag crafts paper bag puppets puppet patterns fish crafts outdoors tattoo 1 comment cheri thank you for sharing great patterns g d bless more like this birds it seems only fitting given the fact that i have such a plethora of bird crafts

**bird paper bag puppet scholastic donner medair org** - Jan 08 2023

web play learn with growing a jeweled rosearts crafts for kids bird paper bag puppet pattern paper bag puppets puppet access free bird paper bag puppet scholastic favorite choice of librarians and scholars for research help they also offer a world class library of free books filled with classics rarities and textbooks

bird paper bag puppet scholastic dev eequ org - Feb 26 2022

web bird paper bag puppet scholastic teach the children well other topics may 2nd 2018 this page is a collection of links for children teachers and parents topics are based on the curriculum for kindergarten through grade four although many pages will be of interest to older students authors transatlantic agency

*56 easy fun paper bag puppets with templates 46 fun paper bag* - Jan 28 2022

web may 18 2023 56 easy having paper bag puppets with templates 11 comments all activities require adult supervision per using these share twist pin paper catch puppets are some of the best crafts to make with young kids they re unsophisticated cheap and accordingly much fun to crafting all you need are some common craft

**product detail page scholastic** - Mar 10 2023

web formerly known as scholastic printables we offer printable activities for any subject math science reading comprehension stem writing and beyond download printable lesson plans reading passages games and puzzles clip art bulletin board ideas and skills sheets for kids in any grade

**bird paper bag puppet scholastic bocciaengland org uk** - Dec 07 2022

web download bird paper bag puppet scholastic getting the books paper bag bird puppets printables now is not type of challenging means you could not and no one else going considering book gathering or library or borrowing from your connections to get into them this is an extremely simple means to specifically acquire lead by on line this online [e pdf bird paper bag puppet scholastic ebook free](#) - Sep 04 2022

web aug 16 2023 bird paper bag puppet scholastic but end up in harmful downloads rather than reading a good book with a cup of tea in the afternoon instead they are facing with some malicious bugs inside their laptop bird paper bag puppet scholastic is available in our book collection an online access to it is set as public so you can [bird paper bag puppet craft for kids free template simple](#) - May 12 2023

web apr 25 2023 this bird paper bag puppet craft is perfect for children who want to make something fun and colorful for pretend play time download the free printable template and make it with preschool pre k and kindergarten children it s ideal for pet units australian animal units or bird units

**pdf bird paper bag puppet scholastic pdf pdf** - Feb 09 2023

web bird paper bag puppet scholastic pdf pdf reviewing bird paper bag puppet scholastic pdf pdf unlocking the spellbinding force of linguistics in a fast paced world fueled by information and interconnectivity the spellbinding force of linguistics has acquired newfound prominence its

**how to make a paper bag puppet parents youtube** - Jul 14 2023

web sep 13 2012 watch as parents magazine shows you how to make a bird paper bag puppet to start this fun kids craft fold the two corners of a paper bag s flap up to start this fun kids craft fold the two [56 easy fun paper bag puppets with templates simple](#) - Mar 30 2022

web sep 13 2023 paper bags puppets are not only fun to play with but they re also easy and provide hours of entertainment giraffes are the tallest animals on land but they can be made from simple brown paper bags see how we made this paper bag giraffe puppet craft using common household items

[pdf bird paper bag puppet scholastic free epub](#) - Nov 06 2022

web aug 16 2023 pdf bird paper bag puppet scholastic free epub alphabet puppets plus blends and digraphs alphabet puppets may monthly idea book old macdonald this little piggy a bag of tricks folk tales from around the world one small hop pssst the puppet club noah barleywater runs away the very hungry

[paper bag bird puppets fun family crafts](#) - Oct 05 2022

web apr 6 2018 these cute and colorful bird puppets are made from paper bags and colored paper give them a try get the instructions for paper bag bird puppets filed under animals insect crafts paper crafts preschool spring toddler tagged with



animal bird construction paper crafts feather googly eye paper paper bag puppet

*product detail page scholastic* - Apr 11 2023

web create a homemade paperbag puppet using this turkey pattern students can color cut and paste their way to a homemade puppet using this two piece activity shop the 2023 back to school guide

**birdpaperbagpuppetscholastic pdf** - Jul 02 2022

web title bird paper bag puppet scholastic author communityvoices sites post gazette com 2023 05 04t00 00 00 00 01 subject bird paper bag puppet scholastic

*e book bird paper bag puppet scholastic download free* - Jun 01 2022

web aug 16 2023 bird paper bag puppet scholastic as one of the most committed sellers here will no question be accompanied by the best options to review right here we have countless ebook bird paper bag puppet scholastic and collections to check out we additionally meet the expense of variant types and along with type of the books to