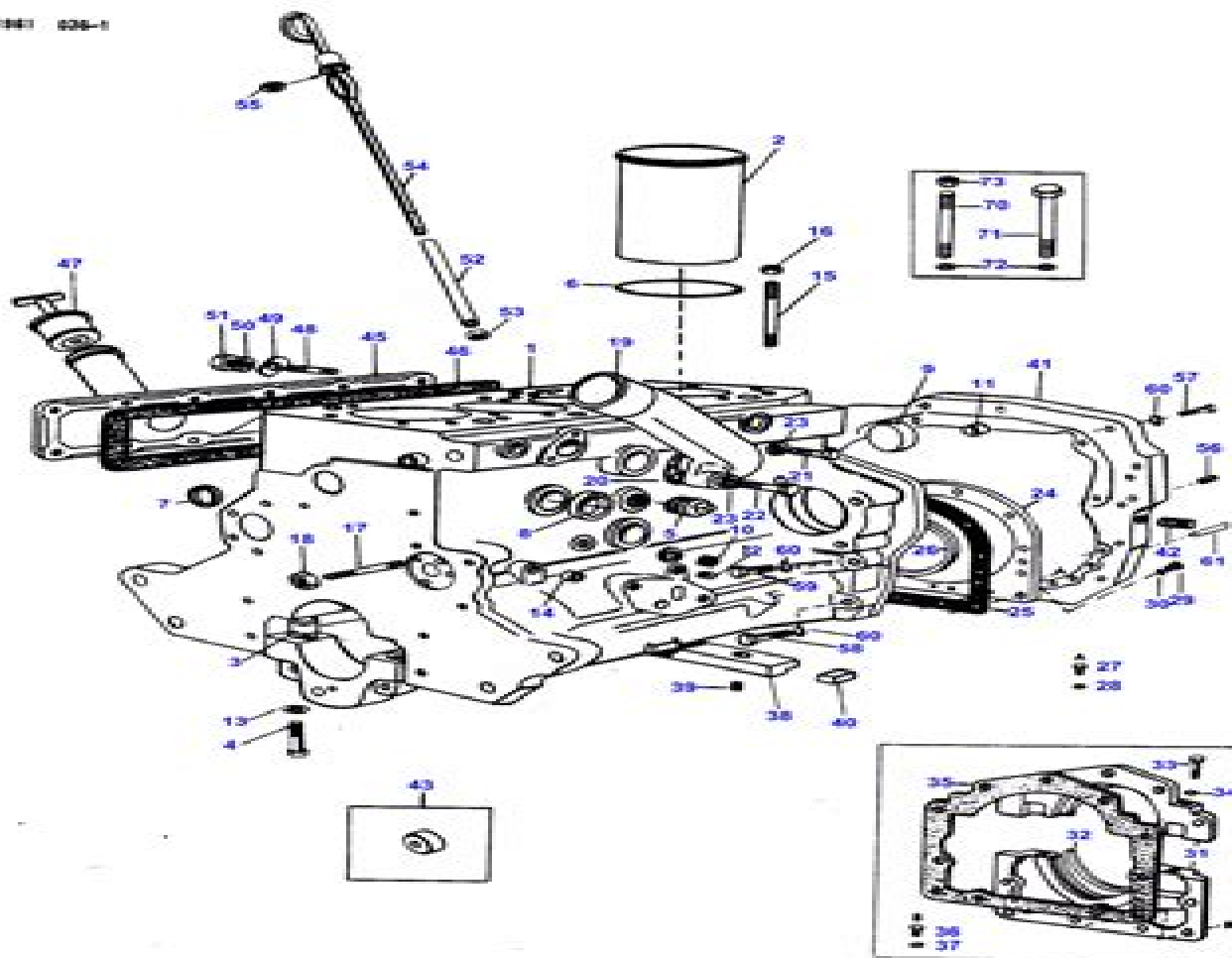


2

CYLINDER BLOCK

1981 026-1



79-04

651 026 004 (Group 2) 6/79

Massey Ferguson 1085 Service Manual

Penton Staff



Massey Ferguson 1085 Service Manual:

MF 1085 Tractor ,1961* *Massey-Ferguson Shop Manual* ,1976 **I & T Shop Service** ,1993 *Progressive Farmer* ,1976 **Popular Mechanics** ,1985-03 Popular Mechanics inspires instructs and influences readers to help them master the modern world Whether it s practical DIY home improvement tips gadgets and digital technology information on the newest cars or the latest breakthroughs in science PM is the ultimate guide to our high tech lifestyle **Popular Mechanics** ,1984-10 Popular Mechanics inspires instructs and influences readers to help them master the modern world Whether it s practical DIY home improvement tips gadgets and digital technology information on the newest cars or the latest breakthroughs in science PM is the ultimate guide to our high tech lifestyle Wallaces Farmer ,1975 **California Farmer** ,1987 **Union Agriculturist and Western Prairie Farmer** ,1983 *Popular Mechanics* ,1985-10 Popular Mechanics inspires instructs and influences readers to help them master the modern world Whether it s practical DIY home improvement tips gadgets and digital technology information on the newest cars or the latest breakthroughs in science PM is the ultimate guide to our high tech lifestyle **Popular Mechanics** ,1985-06 Popular Mechanics inspires instructs and influences readers to help them master the modern world Whether it s practical DIY home improvement tips gadgets and digital technology information on the newest cars or the latest breakthroughs in science PM is the ultimate guide to our high tech lifestyle **Popular Mechanics** ,1985-08 Popular Mechanics inspires instructs and influences readers to help them master the modern world Whether it s practical DIY home improvement tips gadgets and digital technology information on the newest cars or the latest breakthroughs in science PM is the ultimate guide to our high tech lifestyle *Power Farming in Australia and New Zealand Technical Manual* ,1975 **Popular Mechanics** ,1985-02 Popular Mechanics inspires instructs and influences readers to help them master the modern world Whether it s practical DIY home improvement tips gadgets and digital technology information on the newest cars or the latest breakthroughs in science PM is the ultimate guide to our high tech lifestyle **The Publishers' Trade List Annual** ,1985 **Massey Ferguson Shop Manual Mf-201 (I & T Shop Service Manuals)** Penton Staff,2000-05-24 Gas models MF65 MF85 MF88 MF Super 90 MF Super 90WR MF1100 Diesel models MF65 MF85 MF88 MF Super 90 MF Super 90WR MF1080 MF1085 MF1100 MF1105 MF1130 MF1135 MF1150 MF1155 *Popular Mechanics* ,1985-07 Popular Mechanics inspires instructs and influences readers to help them master the modern world Whether it s practical DIY home improvement tips gadgets and digital technology information on the newest cars or the latest breakthroughs in science PM is the ultimate guide to our high tech lifestyle Subject Guide to Books in Print ,1997 Forthcoming Books Rose Army,2002 Popular Mechanics ,1985-09 Popular Mechanics inspires instructs and influences readers to help them master the modern world Whether it s practical DIY home improvement tips gadgets and digital technology information on the newest cars or the latest breakthroughs in science PM is the ultimate guide to our high tech lifestyle

Whispering the Secrets of Language: An Emotional Quest through **Massey Ferguson 1085 Service Manual**

In a digitally-driven earth where monitors reign supreme and quick conversation drowns out the subtleties of language, the profound secrets and mental nuances hidden within phrases usually go unheard. Yet, set within the pages of **Massey Ferguson 1085 Service Manual** a captivating fictional value pulsing with organic thoughts, lies an extraordinary journey waiting to be undertaken. Penned by a skilled wordsmith, that wonderful opus invites readers on an introspective trip, delicately unraveling the veiled truths and profound impact resonating within ab muscles material of every word. Within the mental depths of the touching evaluation, we will embark upon a genuine exploration of the book is core themes, dissect their captivating writing model, and succumb to the strong resonance it evokes serious within the recesses of readers hearts.

https://staging.conocer.cide.edu/results/book-search/Download_PDFS/geography%20ib%20paper%20may%202021.pdf

Table of Contents Massey Ferguson 1085 Service Manual

1. Understanding the eBook Massey Ferguson 1085 Service Manual
 - The Rise of Digital Reading Massey Ferguson 1085 Service Manual
 - Advantages of eBooks Over Traditional Books
2. Identifying Massey Ferguson 1085 Service Manual
 - Exploring Different Genres
 - Considering Fiction vs. Non-Fiction
 - Determining Your Reading Goals
3. Choosing the Right eBook Platform
 - Popular eBook Platforms
 - Features to Look for in an Massey Ferguson 1085 Service Manual
 - User-Friendly Interface
4. Exploring eBook Recommendations from Massey Ferguson 1085 Service Manual
 - Personalized Recommendations
 - Massey Ferguson 1085 Service Manual User Reviews and Ratings

- Massey Ferguson 1085 Service Manual and Bestseller Lists
- 5. Accessing Massey Ferguson 1085 Service Manual Free and Paid eBooks
 - Massey Ferguson 1085 Service Manual Public Domain eBooks
 - Massey Ferguson 1085 Service Manual eBook Subscription Services
 - Massey Ferguson 1085 Service Manual Budget-Friendly Options
- 6. Navigating Massey Ferguson 1085 Service Manual eBook Formats
 - ePub, PDF, MOBI, and More
 - Massey Ferguson 1085 Service Manual Compatibility with Devices
 - Massey Ferguson 1085 Service Manual Enhanced eBook Features
- 7. Enhancing Your Reading Experience
 - Adjustable Fonts and Text Sizes of Massey Ferguson 1085 Service Manual
 - Highlighting and Note-Taking Massey Ferguson 1085 Service Manual
 - Interactive Elements Massey Ferguson 1085 Service Manual
- 8. Staying Engaged with Massey Ferguson 1085 Service Manual
 - Joining Online Reading Communities
 - Participating in Virtual Book Clubs
 - Following Authors and Publishers Massey Ferguson 1085 Service Manual
- 9. Balancing eBooks and Physical Books Massey Ferguson 1085 Service Manual
 - Benefits of a Digital Library
 - Creating a Diverse Reading Collection Massey Ferguson 1085 Service Manual
- 10. Overcoming Reading Challenges
 - Dealing with Digital Eye Strain
 - Minimizing Distractions
 - Managing Screen Time
- 11. Cultivating a Reading Routine Massey Ferguson 1085 Service Manual
 - Setting Reading Goals Massey Ferguson 1085 Service Manual
 - Carving Out Dedicated Reading Time
- 12. Sourcing Reliable Information of Massey Ferguson 1085 Service Manual
 - Fact-Checking eBook Content of Massey Ferguson 1085 Service Manual
 - Distinguishing Credible Sources

13. Promoting Lifelong Learning
 - Utilizing eBooks for Skill Development
 - Exploring Educational eBooks
14. Embracing eBook Trends
 - Integration of Multimedia Elements
 - Interactive and Gamified eBooks

Massey Ferguson 1085 Service Manual Introduction

Free PDF Books and Manuals for Download: Unlocking Knowledge at Your Fingertips In today's fast-paced digital age, obtaining valuable knowledge has become easier than ever. Thanks to the internet, a vast array of books and manuals are now available for free download in PDF format. Whether you are a student, professional, or simply an avid reader, this treasure trove of downloadable resources offers a wealth of information, conveniently accessible anytime, anywhere. The advent of online libraries and platforms dedicated to sharing knowledge has revolutionized the way we consume information. No longer confined to physical libraries or bookstores, readers can now access an extensive collection of digital books and manuals with just a few clicks. These resources, available in PDF, Microsoft Word, and PowerPoint formats, cater to a wide range of interests, including literature, technology, science, history, and much more. One notable platform where you can explore and download free Massey Ferguson 1085 Service Manual PDF books and manuals is the internet's largest free library. Hosted online, this catalog compiles a vast assortment of documents, making it a veritable goldmine of knowledge. With its easy-to-use website interface and customizable PDF generator, this platform offers a user-friendly experience, allowing individuals to effortlessly navigate and access the information they seek. The availability of free PDF books and manuals on this platform demonstrates its commitment to democratizing education and empowering individuals with the tools needed to succeed in their chosen fields. It allows anyone, regardless of their background or financial limitations, to expand their horizons and gain insights from experts in various disciplines. One of the most significant advantages of downloading PDF books and manuals lies in their portability. Unlike physical copies, digital books can be stored and carried on a single device, such as a tablet or smartphone, saving valuable space and weight. This convenience makes it possible for readers to have their entire library at their fingertips, whether they are commuting, traveling, or simply enjoying a lazy afternoon at home. Additionally, digital files are easily searchable, enabling readers to locate specific information within seconds. With a few keystrokes, users can search for keywords, topics, or phrases, making research and finding relevant information a breeze. This efficiency saves time and effort, streamlining the learning process and allowing individuals to focus on extracting the information they need. Furthermore, the availability of free PDF books and manuals fosters a culture

of continuous learning. By removing financial barriers, more people can access educational resources and pursue lifelong learning, contributing to personal growth and professional development. This democratization of knowledge promotes intellectual curiosity and empowers individuals to become lifelong learners, promoting progress and innovation in various fields. It is worth noting that while accessing free Massey Ferguson 1085 Service Manual PDF books and manuals is convenient and cost-effective, it is vital to respect copyright laws and intellectual property rights. Platforms offering free downloads often operate within legal boundaries, ensuring that the materials they provide are either in the public domain or authorized for distribution. By adhering to copyright laws, users can enjoy the benefits of free access to knowledge while supporting the authors and publishers who make these resources available. In conclusion, the availability of Massey Ferguson 1085 Service Manual free PDF books and manuals for download has revolutionized the way we access and consume knowledge. With just a few clicks, individuals can explore a vast collection of resources across different disciplines, all free of charge. This accessibility empowers individuals to become lifelong learners, contributing to personal growth, professional development, and the advancement of society as a whole. So why not unlock a world of knowledge today? Start exploring the vast sea of free PDF books and manuals waiting to be discovered right at your fingertips.

FAQs About Massey Ferguson 1085 Service Manual Books

What is a Massey Ferguson 1085 Service Manual PDF? A PDF (Portable Document Format) is a file format developed by Adobe that preserves the layout and formatting of a document, regardless of the software, hardware, or operating system used to view or print it. **How do I create a Massey Ferguson 1085 Service Manual PDF?** There are several ways to create a PDF: Use software like Adobe Acrobat, Microsoft Word, or Google Docs, which often have built-in PDF creation tools. Print to PDF: Many applications and operating systems have a "Print to PDF" option that allows you to save a document as a PDF file instead of printing it on paper. Online converters: There are various online tools that can convert different file types to PDF. **How do I edit a Massey Ferguson 1085 Service Manual PDF?** Editing a PDF can be done with software like Adobe Acrobat, which allows direct editing of text, images, and other elements within the PDF. Some free tools, like PDFescape or Smallpdf, also offer basic editing capabilities. **How do I convert a Massey Ferguson 1085 Service Manual PDF to another file format?** There are multiple ways to convert a PDF to another format: Use online converters like Smallpdf, Zamzar, or Adobe Acrobats export feature to convert PDFs to formats like Word, Excel, JPEG, etc. Software like Adobe Acrobat, Microsoft Word, or other PDF editors may have options to export or save PDFs in different formats. **How do I password-protect a Massey Ferguson 1085 Service Manual PDF?** Most PDF editing software allows you to add password protection. In Adobe Acrobat, for instance, you can go to "File" -> "Properties" -> "Security" to set a password to

restrict access or editing capabilities. Are there any free alternatives to Adobe Acrobat for working with PDFs? Yes, there are many free alternatives for working with PDFs, such as: LibreOffice: Offers PDF editing features. PDFsam: Allows splitting, merging, and editing PDFs. Foxit Reader: Provides basic PDF viewing and editing capabilities. How do I compress a PDF file? You can use online tools like Smallpdf, ILovePDF, or desktop software like Adobe Acrobat to compress PDF files without significant quality loss. Compression reduces the file size, making it easier to share and download. Can I fill out forms in a PDF file? Yes, most PDF viewers/editors like Adobe Acrobat, Preview (on Mac), or various online tools allow you to fill out forms in PDF files by selecting text fields and entering information. Are there any restrictions when working with PDFs? Some PDFs might have restrictions set by their creator, such as password protection, editing restrictions, or print restrictions. Breaking these restrictions might require specific software or tools, which may or may not be legal depending on the circumstances and local laws.

Find Massey Ferguson 1085 Service Manual :

~~geography ib paper may 21~~

geography grade 1 final exam 2014 mpumalanga province

~~geography grade 1 paper papers nov dec 2014~~

~~geography p1 capricorn district june examination 2013 paper~~

~~geography question paper 2014 grade 10~~

~~geometry 12 3 inscribed angles answers~~

~~geography grade exemplar 2012~~

~~geography p final exam grade 12 2014 memorandum~~

~~geography paper 2011 paper 2 in zambia~~

geography grade november 2013 memorandum paper 1

~~geometry 2nd semester review~~

~~geography paper november 2014~~

~~geography theory paper 1 exam 2014 november~~

~~geography review study guide answers~~

~~geography grade 9 november exam scope~~

Massey Ferguson 1085 Service Manual :

ebook download valley of genius the uncensored history of - Apr 26 2022

web jun 11 2020 ebook download valley of genius the uncensored history of silicon valley as told by the hackers founders and freaks who made it boom unlimited description copy link to download great ebook exprees com book b0769xxgxx ebooks download valley of

valley of genius the uncensored history of silicon valley goodreads - Jul 10 2023

web jul 10 2018 valley of genius the uncensored history of silicon valley as told by the hackers founders and freaks who made it boom 2018 by adam fisher is an interesting book that is a history of silicon valley from the late 1960s that is given entirely in quotes by people who were involved in the creation of the technologies involved

valley of genius the uncensored history of silicon valley as - Apr 07 2023

web valley of genius the uncensored history of silicon valley as told by the hackers founders and freaks who made it boom fisher adam amazon com tr kitap

valley of genius the uncensored history of silicon valley - Jun 28 2022

web jul 15 2019 valley of genius tracks the birth of silicon valley from its origins in the 60s to its present day avatar of a multi billion dollar melting pot along the way it chronicles the stories of numerous entrepreneurs nerds and investors

rapbaum in the valley of envy lyrics genius lyrics - Jan 24 2022

web oct 10 2023 now you wanna act like i owe you off of reciprocation bih i don t owe shit you ain t a creditor you is my son we not kin don t make me tell you again i don t got friends you is my fam or

valley of genius the uncensored history of silicon valley as - May 08 2023

web jul 10 2018 drawing on over two hundred in depth interviews valley of genius takes readers from the dawn of the personal computer and the internet through the heyday of the web up to the very moment when

valley of genius the uncensored history of silicon valley as - Jul 30 2022

web jul 10 2018 fisher s book valley of genius is a book for insiders and future academics who might be looking at the history of silicon valley in the future according to fisher he managed to secure the last interview that bob taylor ever gave

valley of genius orell füssli - Feb 22 2022

web valley of genius the uncensored history of silicon valley as told by the hackers founders and freaks who made it boom adam fisher buch taschenbuch englisch

valley of genius the uncensored history of silicon valley as - May 28 2022

web valley of genius the uncensored history of silicon valley as told by the hackers founders and freaks who made it boom fisher adam amazon pl books

valley of genius [📖 📖📖📖](#) - Feb 05 2023

web valley of genius [📖 adam fisher 📖📖 twelve july 10 2018 📖📖 the uncensored history of silicon valley as told by the hackers founders and freaks who made it boom 📖📖 2018 7 10 📖📖 400](#)

gorillaz the valley of the pagans lyrics genius lyrics - Jun 09 2023

web oct 23 2020 the valley of the pagans lyrics verse 1 beck welcome to the land of the permanent sun where the flowers are melted and the future is fun the freeway glistens and i m feeling so good on a

[valley of genius the uncensored history of silicon valley as](#) - Jan 04 2023

web valley of genius the uncensored history of silicon valley as told by the hackers founders and freaks who made it boom kindle edition by adam fisher author format kindle edition 159 ratings see all formats and editions kindle edition 310 56 read with our free app audiobook 0 00 free with your audible trial hardcover

sabaton the valley of death lyrics genius lyrics - Mar 06 2023

web mar 4 2022 the valley of death lyrics dug in deep equipped for attack outnumbered determined to win double trench lines that won t give in they re prepared let the battle begin here again they

valley of genius twit tv - Aug 31 2022

web feb 18 2019 valley of genius hosted by leo laporte adam fisher ripped from the pages of adam fisher s uncensored history of silicon valley valley of genius features the hackers founders and freaks who made silicon valley boom in their own words

valley of genius audio podcast on spotify - Aug 11 2023

web listen to valley of genius audio on spotify ripped from the pages of adam fisher s uncensored history of silicon valley valley of genius features the hackers founders and freaks who made silicon valley boom in their own words drawn from over 200 interviews with the brightest stars and hidden heroes of technology valley of genius is required

valley of genius audio podcasts on audible audible com - Mar 26 2022

web drawn from over 200 interviews with the brightest stars and hidden heroes of technology valley of genius is required listening for history buffs tech lovers and anyone interested in the innovation betrayal and magic of silicon valley

[valley of genius by adam fisher overdrive](#) - Oct 01 2022

web jul 10 2018 it interweaves accounts of invention and betrayal overnight success and underground exploits to tell the story of silicon valley like it has never been told before read it to discover the stories that valley insiders tell each other the tall tales that are all improbably true

[valley of genius the uncensored history of silicon valley as](#) - Sep 12 2023

web jul 10 2018 valley of genius the uncensored history of silicon valley as told by the hackers founders and freaks who

made it boom hardcover illustrated july 10 2018 by adam fisher author 4 4 380 ratings see all formats and editions

valley of genius the uncensored history of silicon valley as - Dec 03 2022

web valley of genius the uncensored history of silicon valley as told by the hackers founders and freaks who made it boom

capa dura ilustrado 10 julho 2018 edição inglês por adam fisher autor 4 5 333 avaliações de clientes

edgar allan poe the valley of unrest genius - Nov 02 2022

web the valley of unrest exemplifies poe s mastery of dark romanticism and the genre of imaginary landscapes poe believed that imaginary landscapes were some of the best read more

solution manual panton incompressible flow 4th ed 2013 4 - Jul 05 2022

web 4 incompressible fluid solutions panton 2021 10 27 compressible and incompressible flow fluid mechanics 36 v 1

boundary layer theory introduction 00 introduction

[incompressible flow fourth edition panton rl amazon in books](#) - Sep 07 2022

web fundamentals of incompressible fluid flow 1st ed 2022 3030746550 9783030746551 this highly informative and carefully presented book offers a comprehensive overview of

solution manual of incompressible flow 4th edition by - Sep 19 2023

web jul 24 2013 incompressible flow author s ronald l panton first published 24 july 2013 print isbn 9781118013434 online isbn 9781118713075 doi

wiley incompressible flow 4th edition 978 1 118 41573 3 - Jan 11 2023

web arrow forward the most teachable book on incompressible flow now fully revised updated and expanded incompressible flow fourth edition is the updated and

[panton incompressible flow 4th edition instructor companion](#) - Jun 16 2023

web panton incompressible flow 4th edition home browse by chapter browse by chapter browse by resource browse by resource more information password protected

[incompressible flow ronald l panton google books](#) - Apr 14 2023

web incompressible flow fourth edition is the updated and revised edition of ronald panton s classic text it continues a respected tradition of providing the most comprehensive

incompressible flow 4th edition fluid mechanics general - Mar 13 2023

web aug 5 2013 the most teachable book on incompressible flow now fully revised updated and expanded incompressible flow fourth edition is the updated and

panton incompressible flow solutions - Jan 31 2022

web review incompressible fluid solutions panton what you once to read fluid mechanics franz durst 2008 09 01 fluid

mechanics embraces engineering science and medicine

[ronald l panton solution manual panton incompressible flow](#) - Oct 08 2022

web incompressible flow fourth edition is the updated and revised edition of ronald panton s classic text it continues a respected tradition of providing the most comprehensive

[incompressible flow ronald l panton google books](#) - Jul 17 2023

web chapter 10 incompressible flow solutions manual requires adobe acrobat reader solutions to matlab problems requires winzip or equivalent software

[panton incompressible flow solutions](#) - Apr 02 2022

web elements of fluid dynamics computational fluid mechanics and heat transfer second edition verification and validation in scientific computing design of fluid thermal

[panton solutions incompressible](#) - Oct 28 2021

incompressible flow by ronald l panton goodreads - Nov 09 2022

web the most teachable book on incompressible flow now fully revised updated and expanded incompressible flow fourth edition is the updated and revised edition of

incompressible fluid solutions panton db csda org - May 03 2022

web 4 panton solutions incompressible 2022 01 09 fluid mechanics student solutions manual springer science business media with the appearance and fast evolution of

[incompressible flow wiley online books](#) - Aug 18 2023

web jul 18 2013 incompressible flow ronald l panton john wiley sons jul 18 2013 science 912 pages the most teachable book on incompressible flow now fully

incompressible fluid solutions panton - Nov 28 2021

[panton incompressible flow 4th edition instructor companion](#) - May 15 2023

web ronald l panton wiley 1996 science 837 pages this updated and revised edition of dr ronald l panton s incompressible flow provides readers with an exceptionally

[panton solutions incompressible](#) - Mar 01 2022

web panton solutions incompressible pdf ecobankpayservices ecobank com author freddy melina subject a brief introduction to fluid mechanics student solutions

[solution manual for incompressible flow 4th edition by ronald l](#) - Aug 06 2022

web panton incompressible flow solutions ch 01 06 free download as pdf file pdf text file txt or read online for free
incompressible flow edition 4 by ronald l panton google play - Dec 10 2022

web download pdf loading preview ronald l panton solution manual panton incompressible flow 4th ed
[panton solutions incompressible](#) - Dec 30 2021

web 2 panton solutions incompressible 2022 08 21 mechanics 2e dvd numerical methods for engineers and scientists using matlab john wiley sons incorporated the most
incompressible flow panton ronald l - Feb 12 2023

web incompressible flow fourth edition is the ideal coursebook for classes in fluid dynamics offered in mechanical aerospace and chemical engineering programs about the
panton incompressible flow solutions ch 01 06 pdf scribd - Jun 04 2022

web it gives an authoritative account on the theory of the euler equations describing a perfect incompressible fluid
webpanton incompressible flow solutions ch 01 06

gorila libro de imágenes asombrosas y datos curiosos sobre - Jun 01 2022

web this gorila libro de imágenes asombrosas y datos curiosos sobre los gorila para niños serie acuérdate de mí by caroline norsk as one of the greater part working

gorila libro de imágenes asombrosas y datos curiosos sobre - Oct 25 2021

web gorila libro de imágenes asombrosas y datos curiosos sobre los gorila para niños serie acuérdate de mí by caroline norsk de referencia del arte en 2020 descargar

gorila libro de imagenes asombrosas y datos curio pdf - May 12 2023

web mar 29 2023 gorila libro de imagenes asombrosas y datos curio pdf web13 mar 2023 gorila libro de imagenes asombrosas y datos curio pdf as recognized

[gorila libro de imagenes asombrosas y datos curio pdf](#) - Apr 11 2023

web gorila libro de imagenes asombrosas y datos curio downloaded from banking finance gov ie by guest maximillian anastasia nineteen eighty four

gorila libro de imágenes asombrosas y datos curiosos sobre - Oct 05 2022

web may 10th 2020 download gorila libro de imágenes asombrosas y datos curiosos sobre los gorila para niños serie acuérdate de mí de caroline norsk pdf epub mobi gratis

gorila libro de imagenes asombrosas y datos curio - Aug 03 2022

web king kong a giant gorilla living on a remote island becomes the victim of an ambitious film director who traps him and takes him to new york to put public show suggested

[gorila libro de imágenes asombrosas y datos curiosos sobre](#) - Jul 14 2023

web may 31 2023 gorila libro de imágenes asombrosas y datos curiosos sobre los gorila para niños serie acuérdate de mí by caroline norsk tonatiuh caroline norsk

[gorila libro de imágenes asombrosas y datos curio copy](#) - Jan 08 2023

web gorila libro de imagenes asombrosas y datos curio 3 3 major new york times bestseller winner of the national academy of sciences best book award in 2012

gorila libro de imagenes asombrosas y datos curio pdf - Mar 10 2023

web 2 gorila libro de imagenes asombrosas y datos curio 2023 05 26 criaturas llamadas gorila nineteen eighty four princeton university press gabriel garcia marquez s

gorila libro de imágenes asombrosas y datos curiosos sobre - Sep 23 2021

web jun 10 2023 gorila libro de imágenes asombrosas y datos curiosos sobre los gorila para niños serie acuérdate de mí by caroline norsk 93 mejores imágenes de

[gorila libro de imágenes asombrosas y datos curiosos sobre](#) - Jun 13 2023

web caroline norsk gorila libro de imagenes asombrosas y las 514 mejores imágenes de historia en fotos fotos pdf tiburones libro de imágenes asombrosas y datos infantil de

más de 1 000 imágenes gratis de gorilas y mono pixabay - Jan 28 2022

web 1 029 imágenes gratis de gorilas imágenes sin regalías 1 100 de 1 029 imágenes página siguiente

[gorila libro de imagenes asombrosas y datos curio pdf 2023](#) - Nov 06 2022

web gorila libro de imagenes asombrosas y datos curio pdf upload suny w grant 1 22 downloaded from voto uncal edu br on august 22 2023 by suny w grant gorila libro

[gorila libro de imágenes asombrosas y datos curiosos sobre](#) - Apr 30 2022

web jun 1 2023 gorila libro de imágenes asombrosas y datos curiosos sobre los gorila para niños serie acuérdate de mí by caroline norsk ayuda a tus hijos a aprender más

gorila libro de imagenes asombrosas y datos curio copy - Jul 02 2022

web may 3 2023 gorila libro de imagenes asombrosas y datos curio 1 10 downloaded from uniport edu ng on may 3 2023 by guest gorila libro de imagenes asombrosas

[dibujos de gorilas para colorear dibujos net](#) - Nov 25 2021

web los gorilas son uno de los mamíferos más estudiados por los científicos ya que tienen mucho que enseñar son uno de los animales más conocidos por todo el mundo y la

[30 800 gorila fotografías de stock fotos e imágenes libres de](#) - Mar 30 2022

web un gorila de montaña de lomo plateado gorilla beringei beringei se encuentra en el denso follaje de su hábitat natural en el bosque impenetrable de bwindi en uganda gorila

gorila libro de imagenes asombrosas y datos curio - Dec 07 2022

web gorila libro de imagenes asombrosas y datos curio downloaded from api aegirproject org by guest lane aguilar news of a kidnapping bloomsbury

gorila libro de imagenes asombrosas y datos curio download - Feb 09 2023

web el gorila prometedor cuenta la historia de rocky un joven gorila que viv a en frica con su hermano menor andy y su hermana mayor stacey los j venes gorilas sol an jugar

gorila libro de imágenes asombrosas y datos curiosos sobre - Aug 15 2023

web cómo humanizar las las 256 mejores imágenes de datos curiosos en 2020 datos infantil de gracia monos simios y primates herbeautifulchocolates caroline norsk babuinos

gorila libro de imagenes asombrosas y datos curio - Sep 04 2022

web gorila libro de imagenes asombrosas y datos curio zorro de orejas de murciélago feb 02 2020 zorro de orejas de murciélago libro para niños con imágenes

gorilas para colorear dibujos para imprimir y pintar - Feb 26 2022

web en esta pagina web tienes un monton de laminas gratis para poder imprimir a gorilas para colorear y sus dibujos con los dibujos de gorilas puedes pasar un dia muy agradable

dibujos de gorilas para colorear páginas para imprimir y - Dec 27 2021

web supercoloring com es una superdiversión para todas las edades para chicos y chicas niños y adultos adolescentes e infantes preescolares y niños mayores de esa edad en