

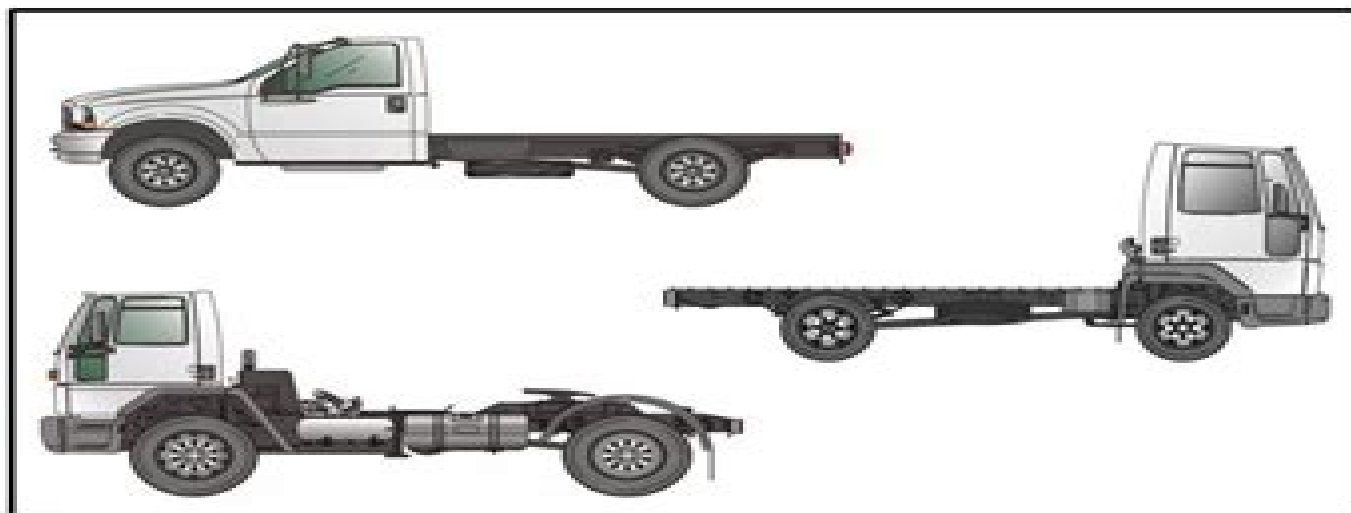


Ford

CARGO

F-SERIES

Manual de informações técnicas



**F-Series / C-712 / C-815e / C-1317e / C-1517e / C-1717e / C-1722e
C-2422e / C-2428e / C-2622e / C-2628e / C-2632e / C-2932e
C-5032e / C-6332e / C-4532e**



**Especificações técnicas
IDENTIFICAÇÃO
Diagramas Eletricos**



Manual Ford Cargo 7

L Reisser



Manual Ford Cargo 7:

Discover tales of courage and bravery in its empowering ebook, Unleash Courage in **Manual Ford Cargo 7** . In a downloadable PDF format (PDF Size: *), this collection inspires and motivates. Download now to witness the indomitable spirit of those who dared to be brave.

https://staging.conocer.cide.edu/data/browse/fetch.php/Maus_Study_Guide_Questions_Answers.pdf

Table of Contents Manual Ford Cargo 7

1. Understanding the eBook Manual Ford Cargo 7
 - The Rise of Digital Reading Manual Ford Cargo 7
 - Advantages of eBooks Over Traditional Books
2. Identifying Manual Ford Cargo 7
 - Exploring Different Genres
 - Considering Fiction vs. Non-Fiction
 - Determining Your Reading Goals
3. Choosing the Right eBook Platform
 - Popular eBook Platforms
 - Features to Look for in an Manual Ford Cargo 7
 - User-Friendly Interface
4. Exploring eBook Recommendations from Manual Ford Cargo 7
 - Personalized Recommendations
 - Manual Ford Cargo 7 User Reviews and Ratings
 - Manual Ford Cargo 7 and Bestseller Lists
5. Accessing Manual Ford Cargo 7 Free and Paid eBooks
 - Manual Ford Cargo 7 Public Domain eBooks
 - Manual Ford Cargo 7 eBook Subscription Services
 - Manual Ford Cargo 7 Budget-Friendly Options
6. Navigating Manual Ford Cargo 7 eBook Formats

- ePub, PDF, MOBI, and More
- Manual Ford Cargo 7 Compatibility with Devices
- Manual Ford Cargo 7 Enhanced eBook Features
- 7. Enhancing Your Reading Experience
 - Adjustable Fonts and Text Sizes of Manual Ford Cargo 7
 - Highlighting and Note-Taking Manual Ford Cargo 7
 - Interactive Elements Manual Ford Cargo 7
- 8. Staying Engaged with Manual Ford Cargo 7
 - Joining Online Reading Communities
 - Participating in Virtual Book Clubs
 - Following Authors and Publishers Manual Ford Cargo 7
- 9. Balancing eBooks and Physical Books Manual Ford Cargo 7
 - Benefits of a Digital Library
 - Creating a Diverse Reading Collection Manual Ford Cargo 7
- 10. Overcoming Reading Challenges
 - Dealing with Digital Eye Strain
 - Minimizing Distractions
 - Managing Screen Time
- 11. Cultivating a Reading Routine Manual Ford Cargo 7
 - Setting Reading Goals Manual Ford Cargo 7
 - Carving Out Dedicated Reading Time
- 12. Sourcing Reliable Information of Manual Ford Cargo 7
 - Fact-Checking eBook Content of Manual Ford Cargo 7
 - Distinguishing Credible Sources
- 13. Promoting Lifelong Learning
 - Utilizing eBooks for Skill Development
 - Exploring Educational eBooks
- 14. Embracing eBook Trends
 - Integration of Multimedia Elements
 - Interactive and Gamified eBooks

Manual Ford Cargo 7 Introduction

Free PDF Books and Manuals for Download: Unlocking Knowledge at Your Fingertips In today's fast-paced digital age, obtaining valuable knowledge has become easier than ever. Thanks to the internet, a vast array of books and manuals are now available for free download in PDF format. Whether you are a student, professional, or simply an avid reader, this treasure trove of downloadable resources offers a wealth of information, conveniently accessible anytime, anywhere. The advent of online libraries and platforms dedicated to sharing knowledge has revolutionized the way we consume information. No longer confined to physical libraries or bookstores, readers can now access an extensive collection of digital books and manuals with just a few clicks. These resources, available in PDF, Microsoft Word, and PowerPoint formats, cater to a wide range of interests, including literature, technology, science, history, and much more. One notable platform where you can explore and download free Manual Ford Cargo 7 PDF books and manuals is the internet's largest free library. Hosted online, this catalog compiles a vast assortment of documents, making it a veritable goldmine of knowledge. With its easy-to-use website interface and customizable PDF generator, this platform offers a user-friendly experience, allowing individuals to effortlessly navigate and access the information they seek. The availability of free PDF books and manuals on this platform demonstrates its commitment to democratizing education and empowering individuals with the tools needed to succeed in their chosen fields. It allows anyone, regardless of their background or financial limitations, to expand their horizons and gain insights from experts in various disciplines. One of the most significant advantages of downloading PDF books and manuals lies in their portability. Unlike physical copies, digital books can be stored and carried on a single device, such as a tablet or smartphone, saving valuable space and weight. This convenience makes it possible for readers to have their entire library at their fingertips, whether they are commuting, traveling, or simply enjoying a lazy afternoon at home. Additionally, digital files are easily searchable, enabling readers to locate specific information within seconds. With a few keystrokes, users can search for keywords, topics, or phrases, making research and finding relevant information a breeze. This efficiency saves time and effort, streamlining the learning process and allowing individuals to focus on extracting the information they need. Furthermore, the availability of free PDF books and manuals fosters a culture of continuous learning. By removing financial barriers, more people can access educational resources and pursue lifelong learning, contributing to personal growth and professional development. This democratization of knowledge promotes intellectual curiosity and empowers individuals to become lifelong learners, promoting progress and innovation in various fields. It is worth noting that while accessing free Manual Ford Cargo 7 PDF books and manuals is convenient and cost-effective, it is vital to respect copyright laws and intellectual property rights. Platforms offering free downloads often operate within legal boundaries, ensuring that the materials they provide are either in the public domain or authorized for distribution. By adhering to copyright laws, users can enjoy the benefits of free access to knowledge while supporting the authors and publishers who make these resources

available. In conclusion, the availability of Manual Ford Cargo 7 free PDF books and manuals for download has revolutionized the way we access and consume knowledge. With just a few clicks, individuals can explore a vast collection of resources across different disciplines, all free of charge. This accessibility empowers individuals to become lifelong learners, contributing to personal growth, professional development, and the advancement of society as a whole. So why not unlock a world of knowledge today? Start exploring the vast sea of free PDF books and manuals waiting to be discovered right at your fingertips.

FAQs About Manual Ford Cargo 7 Books

1. Where can I buy Manual Ford Cargo 7 books? Bookstores: Physical bookstores like Barnes & Noble, Waterstones, and independent local stores. Online Retailers: Amazon, Book Depository, and various online bookstores offer a wide range of books in physical and digital formats.
2. What are the different book formats available? Hardcover: Sturdy and durable, usually more expensive. Paperback: Cheaper, lighter, and more portable than hardcovers. E-books: Digital books available for e-readers like Kindle or software like Apple Books, Kindle, and Google Play Books.
3. How do I choose a Manual Ford Cargo 7 book to read? Genres: Consider the genre you enjoy (fiction, non-fiction, mystery, sci-fi, etc.). Recommendations: Ask friends, join book clubs, or explore online reviews and recommendations. Author: If you like a particular author, you might enjoy more of their work.
4. How do I take care of Manual Ford Cargo 7 books? Storage: Keep them away from direct sunlight and in a dry environment. Handling: Avoid folding pages, use bookmarks, and handle them with clean hands. Cleaning: Gently dust the covers and pages occasionally.
5. Can I borrow books without buying them? Public Libraries: Local libraries offer a wide range of books for borrowing. Book Swaps: Community book exchanges or online platforms where people exchange books.
6. How can I track my reading progress or manage my book collection? Book Tracking Apps: Goodreads, LibraryThing, and Book Catalogue are popular apps for tracking your reading progress and managing book collections. Spreadsheets: You can create your own spreadsheet to track books read, ratings, and other details.
7. What are Manual Ford Cargo 7 audiobooks, and where can I find them? Audiobooks: Audio recordings of books, perfect for listening while commuting or multitasking. Platforms: Audible, LibriVox, and Google Play Books offer a wide selection of audiobooks.

8. How do I support authors or the book industry? Buy Books: Purchase books from authors or independent bookstores. Reviews: Leave reviews on platforms like Goodreads or Amazon. Promotion: Share your favorite books on social media or recommend them to friends.
9. Are there book clubs or reading communities I can join? Local Clubs: Check for local book clubs in libraries or community centers. Online Communities: Platforms like Goodreads have virtual book clubs and discussion groups.
10. Can I read Manual Ford Cargo 7 books for free? Public Domain Books: Many classic books are available for free as they're in the public domain. Free E-books: Some websites offer free e-books legally, like Project Gutenberg or Open Library.

Find Manual Ford Cargo 7 :

[maus study guide questions answers](#)

[matsui lcdvd 100 quick manual user guide](#)

[maximo implementation guide](#)

[maths paper1 grade11 2014 exemplar](#)

[mattas restaurant tacos recipe](#)

[matthew ferry shared comment message report](#)

[matrices and linear algebra george phillip barker](#)

[maths question paper 23](#)

[matsui 25n10a quick manual user guide](#)

[maths sl ib past papers 23](#)

[maxim new product guide](#)

[maxim holiday gift guide 2015](#)

[matlab programming for engineers 4th edition](#)

[maths task cards primary](#)

[maverick the family simon book english edition](#)

Manual Ford Cargo 7 :

[champagne a global history worldcat org - Feb 23 2023](#)

[champagne a global history edible ebook epstein becky sue amazon com au books](#)

champagne a global history edible amazon com - Oct 02 2023

oct 15 2011 here epstein chronicles champagne s story from the world s first sparkling wine produced in limoux languedoc in 1531 by monks at an abbey in saint hilaire to the celebrities who made champagnes famous and continue to do so today from dom perignon to the

champagne in popular culture wikipedia - Mar 15 2022

champagne a global history edible 5 5 epstein is a celebration of the world s most celebratory drink here epstein chronicles champagne s story from the world s first sparkling wine produced in limoux languedoc in 1531 by monks at an abbey in saint hilaire to the celebrities who made champagnes famous and continue to do so today

the history of champagne world history encyclopedia - Nov 22 2022

bubbly as we affectionately call sparkling wine is a symbol of luxury and decadence and the preferred drink for any important toast champagne reveals the history of the world s great sparkling wines telling the stories of the people who made champagne famous from dom pérignon to veuve clicquot and describing the evolution of the

champagne a global history edible by becky sue epstein - Jul 31 2023

oct 15 2011 edible champagne a global history becky sue epstein 3 60 50 ratings7 reviews from the smash of a bottle on the side of a new ship to the pop of the cork at a new year s eve party champagne signals celebration fun and camaraderie all over the world

champagne a global history edible kindle edition amazon in - Dec 12 2021

champagne a global history edible amazon com tr - Sep 01 2023

champagne a global history edible epstein becky sue amazon com tr kitap Çerez tercihlerinizi seçin Çerez bildirimimizde ayrıntılı şekilde açıklandığı üzere alışveriş yapmanızı sağlamak alışveriş deneyiminizi iyileştirmek ve hizmetlerimizi sunmak için gerekli olan çerezleri ve benzer araçları kullanırız

pdf champagne a global history edible ipad yumpu - Aug 20 2022

the legend also helped the reputation of the fizzy drink which had long been associated with royalty now that people knew it had been invented by a lowly monk it would be a drink for everyone in 1921 moët and chandon created a brand of champagne called dom perignon after the monk credited with inventing the bubbly brew

champagne a global history edible hardcover ebay - Nov 10 2021

champagne a global history edible kindle edition - Jan 25 2023

oct 8 2023 find many great new used options and get the best deals for champagne a global history edible by epstein

hardcover at the best online prices at ebay free shipping for many products

history of champagne how the english helped birth bubbly - Apr 15 2022

bloody marys eggs benedict and coffee cake bacon and bagels family and friends this book presents a modern history of brunch not only as a meal but also as a cultural experience relying on diverse sources from historic cookbooks to twitter and television brunch a history is a global and social history of the meal including brunch in

champagne a global history edible pricepulse - Sep 20 2022

here epstein chronicles champagne s story from the world s first sparkling wine produced in limoux languedoc in 1531 by monks at an abbey in saint hilaire to the celebrities who made champagnes famous and continue to do so today from dom perignon to

champagne a global history edible hardcover abebooks - Apr 27 2023

buy champagne a global history edible by becky sue epstein 1 sep 2011 hardcover by isbn from amazon s book store everyday low prices and free delivery on eligible orders

champagne a global history edible pricepulse - May 17 2022

champagne has featured prominently in popular culture for over a century due in part to a long history of effective marketing and product placement by leading champagne houses and their representatives such as civic in time this created an association of champagne with luxury and exclusivity 1 the popularity and positive attributes

the real history of champagne and its bubbles the good life - Jun 17 2022

jul 7 2023 champenois vintners produced pale pink hued still wines made primarily from pinot noir grapes but these were generally thinner weaker and more acidic than prized counterparts in burgundy and the region s northerly geographic positioning created some problems that let s say bubbled up during cold snaps

champagne a global history edible 2022 renewalcc - Jan 13 2022

oct 22 2023 find many great new used options and get the best deals for champagne a global history edible hardcover at the best online prices at ebay free shipping for many products

champagne a global history edible by epstein hardcover - Dec 24 2022

early history the romans were the first known inhabitants to plant vineyards in the champagne region the name champagne comes from the latin campania and referred to the similarities between the rolling hills of the province and the italian

history of champagne wikipedia - Oct 22 2022

read the latest magazines about pdf champagne a global history edible ipad and discover magazines on yumpu com

champagne a global history edible by becky sue epstein 1 - Mar 27 2023

champagne a global history author becky sue epstein summary from the smash of a bottle on the side of a new ship to the

pop of the cork at a new year s eve party champagne signals celebration fun and camaraderie all over the world

[champagne a global history edible salvador dalí](#) - Feb 11 2022

champagne a global history edible ebook epstein becky sue amazon in kindle store

champagne a global history edible may 2023 cookhowto com - Jul 19 2022

product description from the smash of a bottle on the side of a new ship to the pop of the cork at a new year s eve party champagne signals celebration fun and camaraderie all over the world bubbly as we affectionately call it is a symbol of

champagne a global history edible hardcover - May 29 2023

abebooks com champagne a global history edible 9781861898579 by epstein becky sue and a great selection of similar new used and collectible books available now at great prices

champagne a global history edible amazon com - Jun 29 2023

champagne reveals the history of the world s great sparkling wines telling the stories of the people who made champagne famous from dom pérignon to veuve clicquot and describing the evolution of the sparkling wines of other regions that are now so popular

tolga sir İstanbul İstanbul türkiye profesyonel profil linkedin - Jan 17 2023

tolga sir adlı kullanıcının dünyanın en büyük profesyonel topluluğu olan linkedin deki profilini görüntüleyin tolga sir adlı kullanıcının eğitimi profilinde yer alıyor tolga sir adlı kullanıcının

professeur de da c sir uniport edu - Feb 06 2022

apr 6 2023 professeur de da c sir 1 4 downloaded from uniport edu ng on april 6 2023 by guest professeur de da c sir this is likewise one of the factors by obtaining the soft

professeur de da c sir 2022 controlplane themintgaming - Jan 05 2022

professeur de da c sir 3 3 also discussed the selection is a dependable reference for readers interested in the application of automatic control in power generation distribution and

professeur de da c sir help environment harvard edu - Dec 04 2021

professeur de da c sir this is likewise one of the factors by obtaining the soft documents of this professeur de da c sir by online you might not require more grow old to spend to go to the

professeur de da c sir uniport edu - Jun 22 2023

jul 23 2023 professeur de da c sir 3 4 downloaded from uniport edu ng on july 23 2023 by guest atti 1876 includes a later edition of the proceedings of the 1st congress comprenant le

[professeur de da c sir 2022 api aegirproject](#) - Sep 13 2022

professeur de da c sir 3 3 shaylee the encyclopaedia britannica springer science business media includes a later edition of

the proceedings of the 1st congress comprenant le

mehmet sir İstanbul İstanbul türkiye profesyonel profil - May 09 2022

mehmet sir adlı kullanıcının linkedin deki tam profili görün ve bağlantılarını ve benzer şirketlerdeki iş ilanlarını keşfedin

mehmet sir adlı kullanıcının dünyanın en büyük

firat sir istanbul technical university linkedin - Feb 18 2023

firat sir adlı kullanıcının dünyanın en büyük profesyonel topluluğu olan linkedin deki profilini görüntüleyin firat sir adlı kişinin profilinde 3 iş ilanı bulunuyor firat sir adlı kullanıcının

professeur de da c sir pdf uniport edu - Aug 24 2023

professeur de da c sir 1 4 downloaded from uniport edu ng on july 17 2023 by guest professeur de da c sir this is likewise one of the factors by obtaining the soft documents of

traduction de monsieur en turc dictionnaire français turc - Apr 08 2022

augmenter le contenu de votre site ajouter de nouveaux contenus add à votre site depuis sensagent par xml parcourir les produits et les annonces obtenir des informations en xml

professeur de da c sir pdf blueskywildlife com - Jul 11 2022

sep 11 2023 professeur de da c sir pdf is user friendly in our digital library an online access to it is set as public thus you can download it instantly our digital library saves in merged

professeur de da c sir pdf uniport edu - May 21 2023

sep 4 2023 professeur de da c sir 1 1 downloaded from uniport edu ng on september 4 2023 by guest professeur de da c sir when somebody should go to the ebook stores search

Öğr gör nurŞah dİncer avesİs ktu edu tr - Apr 20 2023

araştırma alanları bilgisayar Öğrenimi Örüntü tanıma ve görüntü İşleme sinirsel ağlar biyomedikal görüntü İşleme

professeur de da c sir pdf uniport edu - Sep 25 2023

professeur de da c sir is available in our book collection an online access to it is set as public so you can get it instantly our digital library hosts in multiple countries allowing you to get the

professeur de da c sir pdf download only gcca eu - Jul 23 2023

mar 22 2023 plan to download and install the professeur de da c sir pdf it is completely simple then in the past currently we extend the associate to purchase and make bargains to

professeur de da c sir uniport edu - Jun 10 2022

jun 29 2023 guide professeur de da c sir as you such as by searching the title publisher or authors of guide you in point of fact want you can discover them rapidly in the house

professeur de da c sir 2013 thecontemporaryaustin org - Nov 15 2022

professeur de da c sir downloaded from 2013 thecontemporaryaustin org by guest shiloh kidd compte rendu de la première session londres 1934 springer science business

rocmaglor sir İstanbul türkiye profesyonel profil linkedin - Mar 19 2023

rocmaglor sir adlı kullanıcının eğitimi profilinde yer alıyor rocmaglor sir adlı kullanıcının linkedin deki tam profili görün ve bağlantılarını ve benzer şirketlerdeki iş ilanlarını keşfedin

professeur de da c sir book help environment harvard edu - Dec 16 2022

professeur de da c sir the constitutional year book mar 05 2023 a collection of the most esteemed farces and entertainments performed on the british stage sep 18 2021 the

dr doğan başar kimdir Çankırı da yeni gün gazetesi - Mar 07 2022

mar 26 2021 zulümlerin görmezden gelinmediği zorlu pandemi sürecinin ardından gelen normalleşme sürecinde de parti çalışmalarına hız kesmeden devam ediyor Çankırı'nın korgun

professeur de da c sir registration joniandfriends - Aug 12 2022

as this professeur de da c sir it ends going on innate one of the favored books professeur de da c sir collections that we have this is why you remain in the best website to see the

professeur de da c sir pqr uiaf gov co - Oct 14 2022

computer professeur de da c sir is easy to get to in our digital library an online right of entry to it is set as public appropriately you can download it instantly our digital library saves in

professeur de da c sir protese odontocompany - Nov 03 2021

2 professeur de da c sir 2021 12 31 society of chemical industry the portrait drawings of william rothenstein 1889 1925

springer automatic control in power generation distribution

ekler profil can ferforje - Jan 14 2022

web object classid clsid d27cdb6e ae6d 11cf 96b8 444553540000 codebase download macromedia com pub shockwave cabs flash swflash cab version 9 0 28 0 width

kler film wikipedia wolna encyklopedia - Jul 20 2022

web kler polski fabularny film obyczajowy z 2018 w reżyserii wojciecha smarzowskiego na podstawie scenariusza napisanego przez reżysera oraz wojciecha rzehaka osią fabularną filmu są losy trzech księży katolickich reprezentujących różne podejścia do wiary chrześcijańskiej i skazonych grzechem

İstanbul teknik Üniversitesi fen bilimleri - Aug 21 2022

web haziran 2010 İstanbul teknik Üniversitesi fen bilimleri enstitüsü yüksek lisans tezi Özgün onur polat 501081061 tezin

enstitüye verildiği tarih 07 mayıs 2010 tezin savunulduğu tarih 09 haziran 2010 tez danışmanı prof dr cavidan yorgun İtÜ diğer jüri Üyeleri prof dr nesrin yarımcı yeditepe Üni prof dr

[КЛЭР youtube](#) - Jun 18 2022

web Всем привет Меня зовут КЛЭР и я расскажу тебе супер пупер мега истории чтобы поднять тебе твою *kler youtube* - Apr 16 2022

web hi my name is kler and i ll keep you entertained with my super duper mega stories promise to do it as often as i can [kler tekstil İthalat İhracat Limited Şirketi kler](#) - Jun 30 2023

web apr 26 2023 Ünvanı kler tekstil İthalat İhracat Limited Şirketi kler creative Şubesi firma türü merkezli Türkiye de bulunan Şube kuruluş tarihi 4 nisan 2023 salı sermaye 1 000 000 00 vergi dairesi İstanbul Üsküdar vergi daresi vergi numarası 5641086217

kler name meaning kler family history at ancestry com - Dec 13 2021

web the kler family name was found in the usa the uk canada and scotland between 1840 and 1920 the most kler families were found in usa in 1920 in 1840 there was 1 kler family living in new jersey this was 100 of all the recorded kler s in usa new jersey had the highest population of kler families in 1840

09 05 ef ve f statist kler - Oct 23 2022

web microsoft word 09 05 ef ve f statist kler author fatih basakcioglu created date 4 27 2018 9 14 15 am

kler furniture decor accessories - Dec 25 2022

web select your language english polish

kıllor nasıl yapılır evde kıllor yapımı için kolay tarifi - Nov 11 2021

web oct 22 2020 adıyaman yöresine özgü bir hamur işi olan kıllor geleneksel olarak bayramlarda ev halkına ve misafirlere ikram ediliyor isteğe göre tatlı ve tuzlu yapılabilen bu lezzetli hamur

[clergy 2018 imdb](#) - Nov 23 2022

web sep 28 2018 now on every anniversary of the catastrophe that they miraculously escaped with their lives the clergymen meet to celebrate the fact of their survival their everyday lives are however very different lisowski jacek braciak is an entrepreneurial curia worker in a big city who dreams of moving to the vatican

kler oficjalny zwiastun nowego filmu wojtka smarzowskiego - Sep 21 2022

web aug 8 2018 kler w kinach od 28 wrzesnia wojtek smarzowski twórca wielokrotnie nagradzanych dzieł wołyń pod mocnym aniołem drogówka róża dom zły i wese

kler tekstil İthalat İhracat Limited Şirketi - Aug 01 2023

web oct 16 2019 İşletmeyi haritada görüntüle tekstil yan sanayi Ürünleri meslek grubunda İstanbul Üsküdar bölgesinde

giyim eşyalarının bir ücret veya sözleşmeye dayalı olarak toptan satışını yapan

tureng kler türkçe İngilizce sözlük - Feb 24 2023

web power junction k h82 i güç kaynağı k h82 İngilizce türkçe online sözlük tureng kelime ve terimleri çevir ve farklı aksanlarda sesli dinleme k İngiliz alfabesinin on birinci harfi k band radar k bandı ne demek

kl university erp - Sep 02 2023

web workshops seminars guest lectures projects consultancy doctoral faculty

kler home - Mar 28 2023

web the sender of the newsletter is kler s a with its registered office in dobrodzień poland krs 0000056597 and the transmission shall comply with the kler newsletter terms and conditions i hereby understand that i can revoke my consent any time

kler ekskluzywne meble skórzane tapicerowane i akcesoria - Oct 03 2023

web znajdziesz tu wszystko by urządzić salon jadalnię czy sypialnię meble i dekoracje zaprojektowane z klasyczną elegancją znajdź swój ulubiony salon kler to polski producent eleganckich mebli do salonu sypialni jadalni a także mebli ogrodowych sprawdź naszą ofertę

ekler vikipedi - Feb 12 2022

web ekler yumuşak hamurlu bir tatlıdır genel olarak içinde vanilyalı krema vardır ve üstü çikolata kaplıdır bazen kahve rom aromalı muhallebi meyveli dolgular veya kestane püresi ile de doldurulur eklerin kaynağı ekler hakkında bilinen çok az şeyden biri 19 yüzyılın sonlarında fransa da çıktıdır birçok yemek tarihçisi eklerin ilk olarak Fransız kraliyet

türkçede ekler vikipedi - Mar 16 2022

web türkçede ekler yapım eki ve çekim eki olmak üzere ikiye ayrılır türkçe sondan eklemeli bir dil olduğu için ekler türkçedeki en önemli dil yapılarındandır yabancı kökenli bazı sözcükler hariç türkçede ön ek bulunmaz 1 türkçede sözcük köklerine getirilen ekler cümlede sözcükler arasında geçici anlam

kler information kansas highway patrol ks - May 18 2022

web kler information kansas highway patrol ks kler is a free highly customizable feature rich form based application that includes best of breed features with the primary purpose of allowing law enforcement to complete reports in an efficient and safe manner facilitates electronic submission to kdot

kler 2018 film hd youtube - Apr 28 2023

web oct 4 2018 kler 2018 film hd kler wojtka smarzowskiego tylko antykościelna agitka czy przede wszystkim ważny i potrzebny film

kler 2018 filmweb - Jan 26 2023

web sep 18 2018 przed kilkoma laty tragiczne wydarzenia połączyły losy trzech księży katolickich teraz w każdą rocznicę katastrofy z której cudem uszli z życiem duchowni spotykają się by uczcić fakt swojego ocalenia na co dzień układa im się bardzo różnie

klgyo kiler gayrimenkul yatırım ortaklığı as hisse fiyatı - May 30 2023

web kiler gayrimenkul yatırım ortaklığı a Ş hissesi ile ilgili grafiklere teknik analizlere geçmiş verilere kiler gyo fiyatları klgyo raporlarına ve daha fazlasını içeren bilgilere ulaşın