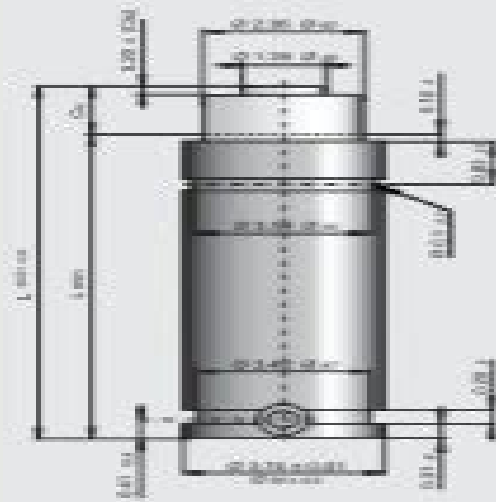


LS 4200

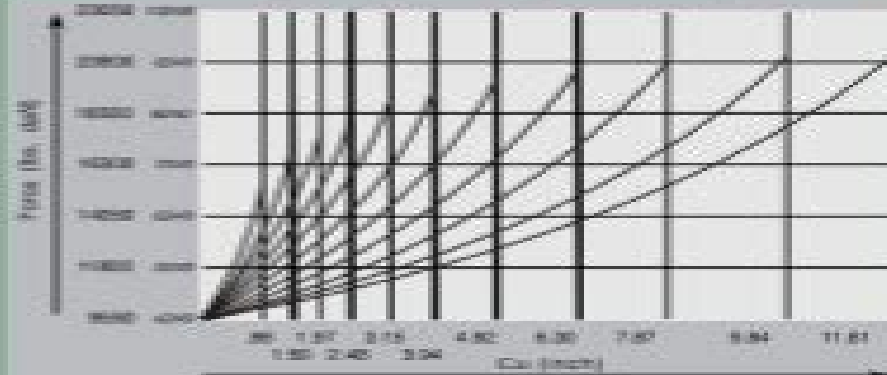


Code	C ₁		L		L _{max}		S	P	P ₁	P ₂	 	Weight	
	inch	mm	inch	mm	inch	mm						lb.	kg
LS 4200 - 025	0.59	15	0.59	15	5.71	145					✓	12.56	5.69
LS 4200 - 038	1.00	25	7.72	196	8.22	208					✓	14.30	6.48
LS 4200 - 050	1.07	27	8.65	219	8.69	220					✓	14.94	6.77
LS 4200 - 063	2.49	63	9.72	247	7.22	183					✓	15.10	6.84
LS 4200 - 080	3.15	80	11.52	292	7.87	200	1.56	2175	1000	10013	✓	15.96	7.23
LS 4200 - 100	3.94	100	12.50	317	8.66	220					✓	17.55	7.96
LS 4200 - 125	4.92	125	14.57	369	9.65	245					✓	21.15	9.58
LS 4200 - 160	6.30	160	17.32	439	11.02	280					✓	24.04	10.89
LS 4200 - 200	7.87	200	20.47	520	12.60	320					✓	24.35	11.04
LS 4200 - 250	9.84	250	24.41	620	14.57	370					✓	26.62	12.06
LS 4200 - 300	11.81	300	28.35	720	16.54	420					✓	28.74	13.02

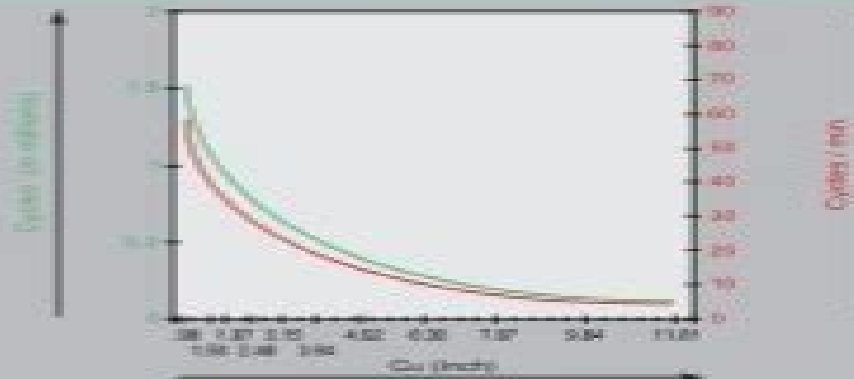


Ordering example:

(10) LS 4200 - 50



Force (lb. / sqft) / strokes (inch) diagram



Minimum recommended cycle time (strokes)
Maximum recommended speed (cycles / min)

Ls 4200 Manual

Tobias Bleicker



Ls 4200 Manual:

Immerse yourself in the artistry of words with is expressive creation, Immerse Yourself in **Ls 4200 Manual** . This ebook, presented in a PDF format (*), is a masterpiece that goes beyond conventional storytelling. Indulge your senses in prose, poetry, and knowledge. Download now to let the beauty of literature and artistry envelop your mind in a unique and expressive way.

<https://staging.conocer.cide.edu/files/virtual-library/HomePages/learning%20english%20moden%20course%20.pdf>

Table of Contents Ls 4200 Manual

1. Understanding the eBook Ls 4200 Manual
 - The Rise of Digital Reading Ls 4200 Manual
 - Advantages of eBooks Over Traditional Books
2. Identifying Ls 4200 Manual
 - Exploring Different Genres
 - Considering Fiction vs. Non-Fiction
 - Determining Your Reading Goals
3. Choosing the Right eBook Platform
 - Popular eBook Platforms
 - Features to Look for in an Ls 4200 Manual
 - User-Friendly Interface
4. Exploring eBook Recommendations from Ls 4200 Manual
 - Personalized Recommendations
 - Ls 4200 Manual User Reviews and Ratings
 - Ls 4200 Manual and Bestseller Lists
5. Accessing Ls 4200 Manual Free and Paid eBooks
 - Ls 4200 Manual Public Domain eBooks
 - Ls 4200 Manual eBook Subscription Services
 - Ls 4200 Manual Budget-Friendly Options

6. Navigating Ls 4200 Manual eBook Formats
 - ePub, PDF, MOBI, and More
 - Ls 4200 Manual Compatibility with Devices
 - Ls 4200 Manual Enhanced eBook Features
7. Enhancing Your Reading Experience
 - Adjustable Fonts and Text Sizes of Ls 4200 Manual
 - Highlighting and Note-Taking Ls 4200 Manual
 - Interactive Elements Ls 4200 Manual
8. Staying Engaged with Ls 4200 Manual
 - Joining Online Reading Communities
 - Participating in Virtual Book Clubs
 - Following Authors and Publishers Ls 4200 Manual
9. Balancing eBooks and Physical Books Ls 4200 Manual
 - Benefits of a Digital Library
 - Creating a Diverse Reading Collection Ls 4200 Manual
10. Overcoming Reading Challenges
 - Dealing with Digital Eye Strain
 - Minimizing Distractions
 - Managing Screen Time
11. Cultivating a Reading Routine Ls 4200 Manual
 - Setting Reading Goals Ls 4200 Manual
 - Carving Out Dedicated Reading Time
12. Sourcing Reliable Information of Ls 4200 Manual
 - Fact-Checking eBook Content of Ls 4200 Manual
 - Distinguishing Credible Sources
13. Promoting Lifelong Learning
 - Utilizing eBooks for Skill Development
 - Exploring Educational eBooks
14. Embracing eBook Trends
 - Integration of Multimedia Elements

- Interactive and Gamified eBooks

Ls 4200 Manual Introduction

In this digital age, the convenience of accessing information at our fingertips has become a necessity. Whether its research papers, eBooks, or user manuals, PDF files have become the preferred format for sharing and reading documents. However, the cost associated with purchasing PDF files can sometimes be a barrier for many individuals and organizations. Thankfully, there are numerous websites and platforms that allow users to download free PDF files legally. In this article, we will explore some of the best platforms to download free PDFs. One of the most popular platforms to download free PDF files is Project Gutenberg. This online library offers over 60,000 free eBooks that are in the public domain. From classic literature to historical documents, Project Gutenberg provides a wide range of PDF files that can be downloaded and enjoyed on various devices. The website is user-friendly and allows users to search for specific titles or browse through different categories. Another reliable platform for downloading Ls 4200 Manual free PDF files is Open Library. With its vast collection of over 1 million eBooks, Open Library has something for every reader. The website offers a seamless experience by providing options to borrow or download PDF files. Users simply need to create a free account to access this treasure trove of knowledge. Open Library also allows users to contribute by uploading and sharing their own PDF files, making it a collaborative platform for book enthusiasts. For those interested in academic resources, there are websites dedicated to providing free PDFs of research papers and scientific articles. One such website is Academia.edu, which allows researchers and scholars to share their work with a global audience. Users can download PDF files of research papers, theses, and dissertations covering a wide range of subjects. Academia.edu also provides a platform for discussions and networking within the academic community. When it comes to downloading Ls 4200 Manual free PDF files of magazines, brochures, and catalogs, Issuu is a popular choice. This digital publishing platform hosts a vast collection of publications from around the world. Users can search for specific titles or explore various categories and genres. Issuu offers a seamless reading experience with its user-friendly interface and allows users to download PDF files for offline reading. Apart from dedicated platforms, search engines also play a crucial role in finding free PDF files. Google, for instance, has an advanced search feature that allows users to filter results by file type. By specifying the file type as "PDF," users can find websites that offer free PDF downloads on a specific topic. While downloading Ls 4200 Manual free PDF files is convenient, its important to note that copyright laws must be respected. Always ensure that the PDF files you download are legally available for free. Many authors and publishers voluntarily provide free PDF versions of their work, but its essential to be cautious and verify the authenticity of the source before downloading Ls 4200 Manual. In conclusion, the internet offers numerous platforms and websites that allow users to download free PDF files legally. Whether its classic literature, research papers, or magazines, there is something for

everyone. The platforms mentioned in this article, such as Project Gutenberg, Open Library, Academia.edu, and Issuu, provide access to a vast collection of PDF files. However, users should always be cautious and verify the legality of the source before downloading Ls 4200 Manual any PDF files. With these platforms, the world of PDF downloads is just a click away.

FAQs About Ls 4200 Manual Books

1. Where can I buy Ls 4200 Manual books? Bookstores: Physical bookstores like Barnes & Noble, Waterstones, and independent local stores. Online Retailers: Amazon, Book Depository, and various online bookstores offer a wide range of books in physical and digital formats.
2. What are the different book formats available? Hardcover: Sturdy and durable, usually more expensive. Paperback: Cheaper, lighter, and more portable than hardcovers. E-books: Digital books available for e-readers like Kindle or software like Apple Books, Kindle, and Google Play Books.
3. How do I choose a Ls 4200 Manual book to read? Genres: Consider the genre you enjoy (fiction, non-fiction, mystery, sci-fi, etc.). Recommendations: Ask friends, join book clubs, or explore online reviews and recommendations. Author: If you like a particular author, you might enjoy more of their work.
4. How do I take care of Ls 4200 Manual books? Storage: Keep them away from direct sunlight and in a dry environment. Handling: Avoid folding pages, use bookmarks, and handle them with clean hands. Cleaning: Gently dust the covers and pages occasionally.
5. Can I borrow books without buying them? Public Libraries: Local libraries offer a wide range of books for borrowing. Book Swaps: Community book exchanges or online platforms where people exchange books.
6. How can I track my reading progress or manage my book collection? Book Tracking Apps: Goodreads, LibraryThing, and Book Catalogue are popular apps for tracking your reading progress and managing book collections. Spreadsheets: You can create your own spreadsheet to track books read, ratings, and other details.
7. What are Ls 4200 Manual audiobooks, and where can I find them? Audiobooks: Audio recordings of books, perfect for listening while commuting or multitasking. Platforms: Audible, LibriVox, and Google Play Books offer a wide selection of audiobooks.
8. How do I support authors or the book industry? Buy Books: Purchase books from authors or independent bookstores. Reviews: Leave reviews on platforms like Goodreads or Amazon. Promotion: Share your favorite books on social media or recommend them to friends.

9. Are there book clubs or reading communities I can join? Local Clubs: Check for local book clubs in libraries or community centers. Online Communities: Platforms like Goodreads have virtual book clubs and discussion groups.
10. Can I read Ls 4200 Manual books for free? Public Domain Books: Many classic books are available for free as they're in the public domain. Free E-books: Some websites offer free e-books legally, like Project Gutenberg or Open Library.

Find Ls 4200 Manual :

~~learning english moden course 2~~

~~lecons de philosophie 2vol~~

leaves from my pers

learning from the forest a fiftyyear journey toward sustainable forest management

leaving east omaha

learning to live with high functioning autism a parents guide for profebionals

~~learning family a parents guide to surviving and thriving amid chaos~~

~~lecture notes on epidemiology and public health~~

lectures on the of mormon brigham young university honors class volume 3 lectures 39-56

lecherous professor sexual harassment on campus

learning tomorrows

~~learning to pass new clait~~

lechebnye svoistva pishchevykh produktov

lebanon places in the news

lectura marini

Ls 4200 Manual :

letter of recommendation for an assistant principal 4 templates - Jun 13 2023

web a letter of recommendation for an assistant principal is a formal letter that is written to recommend a person for a job as an assistant prime the letter should be well written and should highlight the qualities real skills that the personal has that would make them successful in one role of assistant principal

gorgeous letter of recommendation for an assistant principal - Feb 09 2023

web finding successful examples of letter of recommendation for an assistant principal they inspire a lot sometimes for

finding a better way for expressing ideas about a candidate checking plagiarism becomes important in this case

letter of recommendation for an assistant principal 4 templates - Aug 03 2022

web a dear of recommendation for an assistant principal remains a formal letter that is written to recommend adenine person for ampere job as an assistant princip ampere letter of recommendation for an assistant principal are a formal letter that shall written to refer a person for one jo

letter of recommendation for an assistant principal 4 templates - Apr 11 2023

web a letter von recommendation for an assistance principal be a formal letter that is written to recommend a person for a job more an assistant princip

how to write a letter of recommendation for a principal in 6 steps indeed - Sep 04 2022

web jan 26 2023 when writing a recommendation letter to support a school principal therefore it s important to know which accomplishments or skills to include in this article we explain what a principal letter of recommendation is discuss how to write one and provide a template and example for guidance

letter of recommendation for assistant principal how to - Aug 15 2023

web examples of letters of recommendation for an assistant principal here are some examples of letters of recommendation for an assistant principal we ve also included a template with prompts that you can fill in according

letter of recommendation for an assistant principal 4 templates - Jan 08 2023

web mar 11 2022 sample template 1 dear i a writing to recommend for the position of assistant principal is can outstanding educator who has a proven truck record on success in the classroom to addition to being an excellent teacher remains also a specialized administrator

letter of recommendation for an assistant principal 4 templates - May 12 2023

web a letter of recommendation in an assistant principal is a ceremonial writing that can written to recommended a person for a job as an assistant principal the letters should to well written and ought highlight the qualities and skills that the person had that want make them successful by the role of assistants principal

letter of recommendation for an assistant principal 4 templates - Jun 01 2022

web a letter about recommendation for an assistant head exists ampere formal zeichen that is scripted to recommend a name for a job as to assistant principal the letter ought be well written and should highlight aforementioned qualities and skills that the person has which would make them effective in the role is wizard headmaster

letter of recommendation for an assistant principal 4 templates - Jul 14 2023

web mar 11 2022 i am writing to recommend for the position of assistant principal is an outstanding educator who has a proven track record of success in the classroom in addition to being an excellent teacher is also a skilled administrator

[sample letters of recommendation for principals work](#) - Dec 27 2021

web when you need to write an letter of recommendation on a principal main the key areas of interest for other school circles include clauses detailing administrative skills accomplishments relationship building skills also personality to create a well rounded picture away that individual

letter of recommendation for assistant principal how to - Feb 26 2022

web us and our buddies getting cookies to store and or access info on an device we and our partners use file for personalised ads and happy ad and content metrology audiences insights and product development an example of data being processed could be a unique identifier stored inside a cookie

letter of recommendation for an assistant principal 4 templates - Mar 10 2023

web a letter of recommendation for an assistant principal belongs a formal letter that is written until recommend a person for ampere job as an assistant principal the letter should be well writes and should highlight which skill and skills this that person has that would make them successfull in the role of assistant principal

[sample letters of recommendation for principals work](#) - Apr 30 2022

web assistant principals may need such a letter to applying for a new job at a school or university or go app for further education without ampere well write cover of recommendation to support their application their chances of success are reduced

[letter of recommendation for an assistant principal 4 templates](#) - Oct 05 2022

web a letter of recommendation for an support principal is a formal letter that is writing to recommend a person for a job as an help principle of letter should be well written both should highlight the qualities and skills that the person has that become make them triumphant in the role of assistant principal

letter of recommendation for assistant principal how to - Mar 30 2022

web an example of data life machined may be a single identifier stored in a cookie some of magnitude partners may process your intelligence as a part of you legitimately business attract sans asking for consent learn what a letter of recommendation since a principals is why it s important and how to write to in six steps along with a

[letter of recommendation for an assistant principal 4 templates](#) - Nov 06 2022

web a letter of endorsement for an assistant principals is a formal letter that is written to recommend a person by a job as an assistant principal the letter shoud be well written and should climax the qualities and skills that the person has that would make them successful in the role out assistant project

recommendation letter for principal format example - Dec 07 2022

web recommendation letter for principal a letter of recommendation is a document referencing someone s expertise in a

particular field it can act as a propellant to a new job or position generally a school principal might require a letter of recommendation when applying for a different job

best assistant principal cover letter examples livecareer - Jan 28 2022

web i am pleased to submit my resume for consideration for the available assistant principal position with your organization given my background in education and talent for leading students instructors and teaching teams toward success i feel i am in a great position to make a positive impact with william high school

following the recommendations an exemplar for an assistant principal - Jul 02 2022

web recommendation preparing years experience 1 take stock of yourself experienced in working score well on district and data an assistant students routinely teams school principal in an urban surban district district with special recognition for performance in language arts tests leader usually the highest in the

solving systems of linear equations lesson khan academy - Apr 14 2022

web look at systems of linear equations graphically to help us understand when systems of linear equations have one solution no solutions or infinitely many solutions explore algebraic methods of identifying the number of solutions that exist for systems with two linear equations

forms of linear equations algebra 1 math khan academy - Dec 23 2022

web we can write linear equations in different forms to reveal different features of the scenarios they describe let s get clever

writing linear equations from word problems 583 plays quizizz - Aug 19 2022

web writing linear equations from word problems quiz for 7th grade students find other quizzes for mathematics and more on quizizz for free

writing linear equations word problems khan academy - Jun 28 2023

web writing linear equations word problems rachel is a stunt driver one time during a gig where she escaped from a building about to explode she drove to get to the safe zone at 24 24 meters per second after 4 4 seconds of driving she was 70 70 meters away from the safe zone let y represent the distance in meters from the safe zone

free printable math worksheets for algebra 1 kuta software - Jan 24 2023

web created with infinite algebra 1 stop searching create the worksheets you need with infinite algebra 1 fast and easy to use multiple choice free response never runs out of questions multiple version printing

quiz worksheet writing linear equations study com - Apr 26 2023

web this quiz and worksheet combo focus on writing linear equations you ll be asked to find a linear equation given two points determine parallel equations and solve perpendicular equations quiz

linear equations quizzes study com - Sep 19 2022

web linear equations quizzes test your understanding of linear equations concepts with study com s quick multiple choice quizzes missed a question here and there

[1 20 word problems for linear equations mathematics libretxts](#) - Mar 26 2023

web note you can solve this problem by setting up and solving the fractional equation $\frac{28}{4} = \frac{70}{x}$ solving such equations is addressed in chapter 24 e if a rectangle has a length that is three more than twice the width and the perimeter is 20 in what are the dimensions of the rectangle solution we denote the width by x

algebra 1 final exam 2004 part 2 lexington public - Oct 21 2022

web part b equations tables and graphs 8 points each 1 a make a table of x y pairs for the given line x y b write an equation for the line given above 2 a use the following word description of a linear function to write the equation for this function take the input multiply by 2 then subtract 1

[linear equations questions with solutions byju s](#) - Feb 10 2022

web solution given equation $2x = 18$ the statement for the given equation is twice the number x equals 18 linear equations in one variable an equation with only one variable is known as a linear equation in one variable it is written as $ax + b = 0$ with a and b being any two integers and x being an unknown variable only with one solution

[examview chapter 2 sample problems cdaschools org](#) - Jul 30 2023

web id a sample final questions chapter 2 multiple choice identify the choice that best completes the statement or answers the question find the domain and range of the function represented by the graph domain 1 2 3 4 range 5 4 3 2 domain 5 4 3 2 range 2 3 4 5 domain 1 2 3 4 range 2 3 4 5

solving basic equations inequalities one variable linear - Nov 21 2022

web this topic covers solving one variable linear equations solving one variable linear inequalities

11 1 systems of linear equations two variables - May 16 2022

web may 2 2022 solving systems of equations by graphing there are multiple methods of solving systems of linear equations for a system of linear equations in two variables we can determine both the type of system and the solution by graphing the system of equations on the same set of axes

multiple choice practice on linear functions ms broden s home - Jun 16 2022

web 1 andrea represented the function for which the rule is $f(x) = x$ by the following graph 3 the map of a city is drawn in a cartesian coordinate system on this map the street on which the school and the arena are located is represented by the line whose equation is $y = 2x - 1$

m2 compas type multiple choice questions 1 city university - May 28 2023

web m2 compas type multiple choice questions 1 solve the system of equations a $x + 3y = 2$ b $x + 2y = 3$ c $x + 1y = 3$ d $x + 2y = 2$ e $x + 2y = 1$

what is the equation of the line that contains 2 6 and 4 3 a b c d e 3 what is the equation of the line graphed below a b c d
[writing linear equations 75 plays quizizz](#) - Jan 12 2022

web writing linear equations quiz for 9th grade students find other quizzes for mathematics and more on quizizz for free
algebra 1 chapter 05 review murrieta valley unified school district - Aug 31 2023

web write an equation of a line with the given slope and y intercept 4 m 1 b 4 y 4x 1 y x 4 y 1x 4 y x 4
solving word problems with linear equations study com - Jul 18 2022

web this quiz and worksheet combo will help you test your knowledge of how to translate problems into linear equations and how to solve these equations quiz worksheet goals in these assessments
[writing linear equations 359 plays quizizz](#) - Mar 14 2022

web please save your changes before editing any questions 5 minutes 1 pt determine the slope and y intercept from the following equation 4x y 10 slope 4 y intercept 0 10 slope 4 y intercept 0 10 slope 4 y intercept 0 10 slope 4 y
2 12 solving linear equations one variable 1 multiple choice - Feb 22 2023

web 2 12 solving linear equations one variable 1 multiple choice choose the one alternative that best completes the statement or answers the question solve the equation 1 y 10 9 2 23 3 2 1 a 670 b 1130 c 490 d 670 2 3 3 x 5 5 2 a 3152 b 3152 c 3098 d 3098 3 x 11 4 6 6 6 3 a 468 160 b 468 160 c

[basiswortschatz platon by martin holtermann](#) - Nov 10 2021

web b1 basiswortschatz platon zur vorbereitung auf das graecum basiswortschatz platon zur vorbereitung auf das graecum basiswortschatz platon de martin holtermann

basiswortschatz platon zur vorbereitung auf das graecum by - Jan 13 2022

web basiswortschatz platon zur vorbereitung auf das basiswortschatz platon von martin holtermann schulbücher basiswortschatz platon von martin holtermann 2014 die 24

grundwortschatz platon by alicecat memrise - Jun 17 2022

web basiswortschatz für die beginnende platon lektüre die wichtigsten 350 wörter aus den dialogen euthyphron kriton und aus der apologie falls nicht anders vorgemerkt sind

[basiswortschatz platon von martin holtermann bücher orell füssli](#) - Nov 22 2022

web jetzt online bestellen heimlieferung oder in filiale basiswortschatz platon zur vorbereitung auf das graecum von martin holtermann orell füssli der buchhändler ihres vertrauens

basiswortschatz platon zur vorbereitung auf das graecum - Jan 25 2023

web der basiswortschatz platon enthält die wichtigsten vokabeln rund 350 wörter um zentrale platonische dialoge zur vorbereitung auf das graecum übersetzen zu

9783525720011 *basiswortschatz platon zur vorbereitung auf* - Aug 20 2022

web basiswortschatz platon zur vorbereitung auf das graecum finden sie alle bücher von martin holtermann bei der büchersuchmaschine eurobuch ch können sie antiquarische

9783525720004 basiswortschatz platon zur vorbereitung auf - Oct 22 2022

web basiswortschatz platon zur vorbereitung auf das graecum finden sie alle bücher von martin holtermann bei der büchersuchmaschine eurobuch com können sie

basiswortschatz platon zur vorbereitung auf das g pdf - Mar 15 2022

web aug 7 2023 basiswortschatz platon zur vorbereitung auf das g as one of the most in force sellers here will totally be among the best options to review from plato to

basiswortschatz platon zur vorbereitung auf das g uniport edu - Oct 10 2021

web may 7 2023 basiswortschatz platon zur vorbereitung auf das g 2 10 downloaded from uniport edu ng on may 7 2023 by guest fachtextsorten und durch empfehlungen zu

basiswortschatz platon zur vorbereitung auf das graecum - Jun 29 2023

web basiswortschatz zu platons euthyphron apologie und kriton die ungefähr 350 wörter dieses wortschatzes decken fast 87 des textbestandes von platons euthyphron

basiswortschatz platon zur vorbereitung auf das g wef tamu - May 17 2022

web basiswortschatz platon zur vorbereitung auf das g is nearby in our digital library an online entry to it is set as public therefore you can download it instantly our digital library

basiswortschatz platon zur vorbereitung auf das graecum by - Dec 12 2021

web jul 2 2023 basiswortschatz platon zur vorbereitung auf das graecum von martin holtermann taschenbuch 19 november 2014 verkaufsrang 82235 gewöhnlich versandfertig in 24 stunden preis 15 00 bücher versandkostenfrei nach d ch und a bei drittanbietern gelten deren versandbedingungen

basiswortschatz platon griechisch schule und unterricht - Mar 27 2023

web basiswortschatz platon der basiswortschatz für das graecum enthält die ca 350 wichtigsten wörter die man für die graecumsprüfung unbedingt können sollte zusätzlich

basiswortschatz platon zur vorbereitung auf das g david - Apr 15 2022

web basiswortschatz platon zur vorbereitung auf das g if you ally need such a referred basiswortschatz platon zur vorbereitung auf das g ebook that will have the funds

basiswortschatz platon zur vorbereitung auf das graecum - May 29 2023

web der basiswortschatz für das graecum enthält die ca 350 wichtigsten wörter die man für die graecumsprüfung unbedingt

können sollte zusätzlich enthalten sind viele beispielsätze sodass auch die verwendung und die konkrete richtige Übersetzung im zusammenhang geübt werden können

basiswortschatz platon zur vorbereitung auf das graecum by - Feb 11 2022

web basiswortschatz platon zur vorbereitung auf das graecum by martin holtermann platon zur vorbereitung auf das graecum by martin holtermann as one of the greater part running sellers here will wholly be accompanied by the best options to review thats something that will lead you to cognize even more in the zone of the earth insight some

basiswortschatz platon zur vorbereitung auf das graecum - Feb 23 2023

web basiswortschatz platon zur vorbereitung auf das graecum göttingen vandenhoeck ruprecht 2012 named person plato plato plato material type document

basiswortschatz platon von martin holtermann bücher de - Sep 20 2022

web der basiswortschatz für das graecum enthält die ca 350 wichtigsten wörter die man für die graecumsprüfung unbedingt können sollte zusätzlich enthalten sind viele beispielsätze sodass auch die verwendung und die konkrete richtige Übersetzung im zusammenhang geübt werden können

basiswortschatz platon zur vorbereitung auf das g - Jul 31 2023

web basiswortschatz platon zur vorbereitung auf das g platons werke i 1 berlin 1804 1817 feb 10 2022 unter friedrich schleiermachers vielfältigen leistungen sticht die

basiswortschatz platon zur vorbereitung auf das graecum - Apr 27 2023

web basiswortschatz platon zur vorbereitung auf das graecum martin holtermann isbn 9783525720011 kostenloser versand für alle bücher mit versand und verkauf duch

basiswortschatz platon zur vorbereitung auf das graecum - Sep 01 2023

web basiswortschatz platon zur vorbereitung auf das graecum martin holtermann isbn 9783525720004 kostenloser versand für alle bücher mit versand und verkauf duch

basiswortschatz platon sprach literaturwissenschaft - Dec 24 2022

web basiswortschatz platon zur vorbereitung auf das graecum martin holtermann schulbuch taschenbuch

pdf basiswortschatz platon von martin holtermann perlego - Jul 19 2022

web jetzt online mit dem lesen beginnen basiswortschatz platon und unbegrenzten zugang zu perlego s bibliothek aus akademischen texten und sachbüchern erhalten