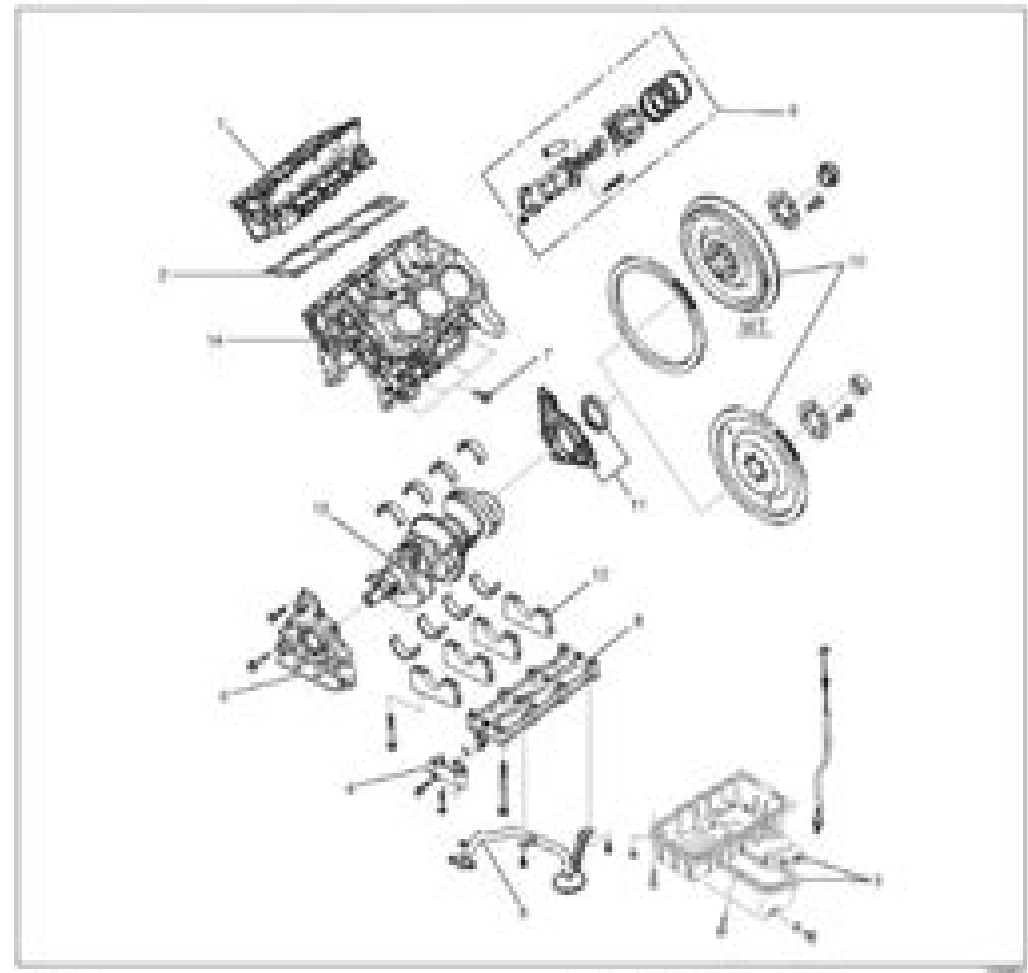


Bookmarks

- INDEX
- > Sec.0A ENGINE MECHANICAL
- > Sec.0B ENGINE COOLING
- > Sec.0C ENGINE FUEL
- > Sec.0D ENGINE ELECTRICAL
- > Sec.0E IGNITION SYSTEM
- > Sec.0F STARTING AND CHARGING SYSTEM
- > Sec.0E DRIVEABILITY AND EMISSIONS
- > Sec.0F ENGINE EXHAUST
- > Sec.0G ENGINE LUBRICATION
- > Sec.0H ENGINE SPEED CONTROL SYSTEM
- > Sec.0I INDUCTION

Cylinder Block

Cylinder Block and Associated Parts



- Legend**
- (1) Cylinder Head Assembly
 - (2) Cylinder Head Gasket
 - (3) Crankcase with Oil Pan
 - (4) Oil Pipe and O-Ring
 - (5) Oil Gallery
 - (6) Piston and Connecting Rod Assembly
 - (7) Flywheel
 - (8) Rear Oil Seal Retainer Assembly
 - (9) Main Bearing Cap

Isuzu 6vd1 Service Manual

SA Dillow



Isuzu 6vd1 Service Manual:

As recognized, adventure as without difficulty as experience not quite lesson, amusement, as without difficulty as accord can be gotten by just checking out a book **Isuzu 6vd1 Service Manual** then it is not directly done, you could assume even more something like this life, concerning the world.

We find the money for you this proper as well as simple pretentiousness to acquire those all. We offer Isuzu 6vd1 Service Manual and numerous ebook collections from fictions to scientific research in any way. accompanied by them is this Isuzu 6vd1 Service Manual that can be your partner.

https://staging.conocer.cide.edu/results/virtual-library/HomePages/Les_Fleurs_Du_Mal_With_Frenchenglish_Glossary.pdf

Table of Contents Isuzu 6vd1 Service Manual

1. Understanding the eBook Isuzu 6vd1 Service Manual
 - The Rise of Digital Reading Isuzu 6vd1 Service Manual
 - Advantages of eBooks Over Traditional Books
2. Identifying Isuzu 6vd1 Service Manual
 - Exploring Different Genres
 - Considering Fiction vs. Non-Fiction
 - Determining Your Reading Goals
3. Choosing the Right eBook Platform
 - Popular eBook Platforms
 - Features to Look for in an Isuzu 6vd1 Service Manual
 - User-Friendly Interface
4. Exploring eBook Recommendations from Isuzu 6vd1 Service Manual
 - Personalized Recommendations
 - Isuzu 6vd1 Service Manual User Reviews and Ratings
 - Isuzu 6vd1 Service Manual and Bestseller Lists
5. Accessing Isuzu 6vd1 Service Manual Free and Paid eBooks

- Isuzu 6vd1 Service Manual Public Domain eBooks
 - Isuzu 6vd1 Service Manual eBook Subscription Services
 - Isuzu 6vd1 Service Manual Budget-Friendly Options
6. Navigating Isuzu 6vd1 Service Manual eBook Formats
- ePub, PDF, MOBI, and More
 - Isuzu 6vd1 Service Manual Compatibility with Devices
 - Isuzu 6vd1 Service Manual Enhanced eBook Features
7. Enhancing Your Reading Experience
- Adjustable Fonts and Text Sizes of Isuzu 6vd1 Service Manual
 - Highlighting and Note-Taking Isuzu 6vd1 Service Manual
 - Interactive Elements Isuzu 6vd1 Service Manual
8. Staying Engaged with Isuzu 6vd1 Service Manual
- Joining Online Reading Communities
 - Participating in Virtual Book Clubs
 - Following Authors and Publishers Isuzu 6vd1 Service Manual
9. Balancing eBooks and Physical Books Isuzu 6vd1 Service Manual
- Benefits of a Digital Library
 - Creating a Diverse Reading Collection Isuzu 6vd1 Service Manual
10. Overcoming Reading Challenges
- Dealing with Digital Eye Strain
 - Minimizing Distractions
 - Managing Screen Time
11. Cultivating a Reading Routine Isuzu 6vd1 Service Manual
- Setting Reading Goals Isuzu 6vd1 Service Manual
 - Carving Out Dedicated Reading Time
12. Sourcing Reliable Information of Isuzu 6vd1 Service Manual
- Fact-Checking eBook Content of Isuzu 6vd1 Service Manual
 - Distinguishing Credible Sources
13. Promoting Lifelong Learning
- Utilizing eBooks for Skill Development

-
- Exploring Educational eBooks
14. Embracing eBook Trends
- Integration of Multimedia Elements
 - Interactive and Gamified eBooks

Isuzu 6vd1 Service Manual Introduction

In the digital age, access to information has become easier than ever before. The ability to download Isuzu 6vd1 Service Manual has revolutionized the way we consume written content. Whether you are a student looking for course material, an avid reader searching for your next favorite book, or a professional seeking research papers, the option to download Isuzu 6vd1 Service Manual has opened up a world of possibilities. Downloading Isuzu 6vd1 Service Manual provides numerous advantages over physical copies of books and documents. Firstly, it is incredibly convenient. Gone are the days of carrying around heavy textbooks or bulky folders filled with papers. With the click of a button, you can gain immediate access to valuable resources on any device. This convenience allows for efficient studying, researching, and reading on the go. Moreover, the cost-effective nature of downloading Isuzu 6vd1 Service Manual has democratized knowledge. Traditional books and academic journals can be expensive, making it difficult for individuals with limited financial resources to access information. By offering free PDF downloads, publishers and authors are enabling a wider audience to benefit from their work. This inclusivity promotes equal opportunities for learning and personal growth. There are numerous websites and platforms where individuals can download Isuzu 6vd1 Service Manual. These websites range from academic databases offering research papers and journals to online libraries with an expansive collection of books from various genres. Many authors and publishers also upload their work to specific websites, granting readers access to their content without any charge. These platforms not only provide access to existing literature but also serve as an excellent platform for undiscovered authors to share their work with the world. However, it is essential to be cautious while downloading Isuzu 6vd1 Service Manual. Some websites may offer pirated or illegally obtained copies of copyrighted material. Engaging in such activities not only violates copyright laws but also undermines the efforts of authors, publishers, and researchers. To ensure ethical downloading, it is advisable to utilize reputable websites that prioritize the legal distribution of content. When downloading Isuzu 6vd1 Service Manual, users should also consider the potential security risks associated with online platforms. Malicious actors may exploit vulnerabilities in unprotected websites to distribute malware or steal personal information. To protect themselves, individuals should ensure their devices have reliable antivirus software installed and validate the legitimacy of the websites they are downloading from. In conclusion, the ability to download Isuzu 6vd1 Service Manual has transformed the way we access information. With the convenience, cost-effectiveness, and accessibility it offers,

free PDF downloads have become a popular choice for students, researchers, and book lovers worldwide. However, it is crucial to engage in ethical downloading practices and prioritize personal security when utilizing online platforms. By doing so, individuals can make the most of the vast array of free PDF resources available and embark on a journey of continuous learning and intellectual growth.

FAQs About Isuzu 6vd1 Service Manual Books

What is a Isuzu 6vd1 Service Manual PDF? A PDF (Portable Document Format) is a file format developed by Adobe that preserves the layout and formatting of a document, regardless of the software, hardware, or operating system used to view or print it. **How do I create a Isuzu 6vd1 Service Manual PDF?** There are several ways to create a PDF: Use software like Adobe Acrobat, Microsoft Word, or Google Docs, which often have built-in PDF creation tools. Print to PDF: Many applications and operating systems have a "Print to PDF" option that allows you to save a document as a PDF file instead of printing it on paper. Online converters: There are various online tools that can convert different file types to PDF. **How do I edit a Isuzu 6vd1 Service Manual PDF?** Editing a PDF can be done with software like Adobe Acrobat, which allows direct editing of text, images, and other elements within the PDF. Some free tools, like PDFescape or Smallpdf, also offer basic editing capabilities. **How do I convert a Isuzu 6vd1 Service Manual PDF to another file format?** There are multiple ways to convert a PDF to another format: Use online converters like Smallpdf, Zamzar, or Adobe Acrobats export feature to convert PDFs to formats like Word, Excel, JPEG, etc. Software like Adobe Acrobat, Microsoft Word, or other PDF editors may have options to export or save PDFs in different formats. **How do I password-protect a Isuzu 6vd1 Service Manual PDF?** Most PDF editing software allows you to add password protection. In Adobe Acrobat, for instance, you can go to "File" -> "Properties" -> "Security" to set a password to restrict access or editing capabilities. Are there any free alternatives to Adobe Acrobat for working with PDFs? Yes, there are many free alternatives for working with PDFs, such as: LibreOffice: Offers PDF editing features. PDFsam: Allows splitting, merging, and editing PDFs. Foxit Reader: Provides basic PDF viewing and editing capabilities. How do I compress a PDF file? You can use online tools like Smallpdf, ILovePDF, or desktop software like Adobe Acrobat to compress PDF files without significant quality loss. Compression reduces the file size, making it easier to share and download. Can I fill out forms in a PDF file? Yes, most PDF viewers/editors like Adobe Acrobat, Preview (on Mac), or various online tools allow you to fill out forms in PDF files by selecting text fields and entering information. Are there any restrictions when working with PDFs? Some PDFs might have restrictions set by their creator, such as password protection, editing restrictions, or print restrictions. Breaking these restrictions might require specific software or tools, which may or may not be legal depending on the circumstances and local laws.

Find Isuzu 6vd1 Service Manual :

les fleurs du mal with frenchenglish glossary

les crimes cacheacutes des preacutesidents une autre histoire de lameacuterique

les islandais lignes de vie dun peuple

les parisiens sont pires que vous ne le croyez

les eacuterotiques saison aventures libertines de leacutea

les filets maillants

les larmes de marieantoinette

~~les druides tome 0is la blanche~~

~~les recirreveries du promeneur solitaire-analyse-complegravete-de loeliguvre~~

les locataires de leacuteteacute

les ogm quels dangers

les grands discours de guerre

les museacutees et leurs publics savoirs et enjeux

les gardiens de leacutegendes tomes et

~~les rebelles partie deacutechee~~

Isuzu 6vd1 Service Manual :

sammy spider s first shabbat hardcover abebooks - Apr 26 2022

web sammy spider s first shabbat by rouss sylvia a isbn 10 1580130070 isbn 13 9781580130073 kar ben pub 1998 hardcover

sammy spider s first shabbat rouss sylvia a archive org - Jun 09 2023

web sammy spider watches longingly as the shapiro family prepares to celebrate the jewish sabbath and when the day finally arrives even he observes one of its customs print

sammy spider s first shabbat by sylvia a rouss - Jul 10 2023

web jan 1 1997 3 63 46 ratings8 reviews sammy spider yearns to celebrate shabbat he watches josh set the festive table and is especially fascinated when mrs shapiro braids

sammy spider s first book of prayers karben com - Feb 22 2022

web your price 7 99 sammy spider is back this time learning jewish prayers with his human friend josh shapiro a first jewish prayer book introduces children to daily and

sammy spider s first shabbat by sylvia rouss publishers weekly - Oct 01 2022

web when sammy asks his mother what josh is doing she tells him that josh s family is preparing to celebrate shabbat sammy watches josh set the table with candles wine

sammy spider s first shabbat a book and a hug - May 28 2022

web mar 29 2021 as the family gather s to welcome shabbat sammy discovers that something unexpected has happened from the publisher 32 pages 978 1580130066

sammy spider s first shabbat apple books - Dec 03 2022

web jan 1 2014 sammy spider yearns to celebrate shabbat he watches josh set the festive table and is especially fascinated when mrs shapiro braids the challah as the family

pdf read sammy spider s first shabbat by sylvia a rouss - Dec 23 2021

web sep 30 2023 sammy spider s first shabbat by sylvia a rouss katherine janus kahn ebook epub kindle pdf size 60 611 kb sammy spider s first shabbat sylvia

buy sammy spider s first shabbat book by sylvia rouss - Jan 24 2022

web aug 1 1997 buy sammy spider s first shabbat paperback book by sylvia rouss from as low as 2 99

[sammy spider s first shabbat youtube](#) - Aug 11 2023

web may 3 2020 shabbat story sammyspiderfirstshabbat shabbat storyreadaloud pjlibrary

[sammy spider s first shabbat paperback 13623](#) - Jul 30 2022

web sammy spider yearns to celebrate shabbat he watches josh set the festive table and is especially fascinated when mrs shapiro braids the challah as the family gather s to

[sammy spider s first shabbat overdrive](#) - Aug 31 2022

web aug 1 2014 sammy spider yearns to celebrate shabbat he watches josh set the festive table and is especially fascinated when mrs shapiro braids the challah as the family

sammy spider s first shabbat youtube - Sep 12 2023

web mar 26 2020 by sylvia a rouss illustrated by katherine james kahn enjoy

[sammy spider s first shabbat softcover abebooks](#) - Mar 26 2022

web sammy spider yearns to celebrate shabbat he watches josh set the festive table and is especially fascinated when mrs shapiro braids the challah as the family gather s to

sammy spider s first shabbat by sylvia a rouss google play - Nov 02 2022

web sammy spider s first shabbat ebook written by sylvia a rouss read this book using google play books app on your pc android ios devices download for offline reading

sammy spider s first shabbat sylvia a rouss google books - May 08 2023

web 8 rows jan 1 2014 sammy spider yearns to celebrate shabbat he watches josh set the festive table and is

sammy spider s first shabbat amazon com - Apr 07 2023

web aug 1 1997 kindergarten grade 2ayoung sammy spider who observed rosh hashanah hanukkah and passover in earlier titles now celebrates the shabbat

sarah reading sammy spider s first shabbat youtube - Oct 13 2023

web apr 20 2020 sarah reading sammy spider s first shabbat youtube thank you sarah one of our awesome preschool staff for sharing this video of her reading sammy spider s first shabbat for our

sammy spider s first shabbat sylvia a rouss google books - Feb 05 2023

web sammy spider s first shabbat sylvia a rouss kar ben publishing jan 1 1997 juvenile fiction 32 pages sammy watches as the shapiro family prepares for

sammy spider s first shabbat ebook barnes noble - Jun 28 2022

web jan 1 2014 sammy spider yearns to celebrate shabbat he watches josh set the festive table and is especially fascinated when mrs shapiro braids the challah as

teachingbooks sammy spider s first shabbat - Mar 06 2023

web oct 13 2023 sammy spider s first shabbat by sylvia rouss and katherine janus kahn part of the sammy spider series sammy watches as the shapiro family prepares for

sammy spider s first shabbat enhanced edition apple books - Jan 04 2023

web aug 1 2014 sammy spider yearns to celebrate shabbat he watches josh set the festive table and is especially fascinated when mrs shapiro braids the challah as the family

cara menghitung harga jual di excel adh excel com tutorial - Mar 31 2022

web feb 10 2021 setelah menentukan besaran biaya yang kita tambahkan maka kita hanya tinggal menghitung harga jualnya saja menghitung harga jual ini sangat mudah karena hanya menambahkan harga beli keuntungan dan juga biaya sehingga rumus excel yang ada atau dipasang dalam cell e4 adalah sebagai berikut b4 c4 d4

menggunakan fungsi sum untuk menjumlahkan angka dalam rentang - May 13 2023

web untuk membuat rumus ketik sum dalam sel diikuti dengan tanda kurung buka untuk memasukkan rentang rumus pertama yang disebut argumen bagian data yang perlu dijalankan rumus ketik a2 a4 atau pilih sel a2 dan seret melalui sel a6 ketik koma untuk memisahkan argumen pertama dari argumen berikutnya

rumus biaya per unit cara hitung di excel dan tips kleido - Jul 03 2022

web nov 3 2022 biaya per unit cost per unit adalah biaya total yang mencakup semua biaya yang terkait dengan produksi

pengiriman pemasaran penjualan pergudangan manajemen dll tetapi untuk satu unit produk saja sangat penting untuk menetapkan harga yang dapat menghasilkan keuntungan bagi bisnis anda

[menghitung persentase dukungan microsoft](#) - Feb 27 2022

web menemukan total jika anda mengetahui jumlah dan persentase misalnya harga diskon sebuah baju adalah 15 yang merupakan potongan 25 dari harga aslinya berapakah harga aslinya dalam contoh ini anda ingin mengetahui 75 dari jumlah yang sama dengan 15 klik sel kosong mana saja

cara menghitung total bayar di excel kompiwin com - Jan 09 2023

web mar 26 2023 masukkan rumus sumproduct range harga x range jumlah atau bisa kita contohkan rumusnya seperti ini sumproduct c7 c12 d7 d12 masukkan rumus sumproduct oleh kompiwin com jadi setelah kamu memasukkan sumproduct blok bagian semua harga makanannya masukkan kolom harga

[sumproduct fungsi sumproduct dukungan microsoft](#) - Jun 14 2023

web contoh 1 untuk membuat rumus menggunakan daftar sampel di atas ketik sumproduct c2 c5 d2 d5 dan tekan enter setiap sel di dalam kolom c dikalikan dengan sel terkaitnya dalam baris yang sama di kolom d dan hasilnya ditambahkan jumlah total untuk bahan makanan adalah 78 97

20 rumus excel beserta contohnya yang diperlukan untuk - Sep 05 2022

web may 6 2022 1 sum jika mau bertanya tanya apa formula untuk menemukan jumlah total atau cara menghitung total di excel maka rumus sum merupakan jawabannya sederhananya rumus sum dapat kamu gunakan untuk melakukan penjumlahan data atau angka yang ada pada sel di worksheet

cara menghitung harga jual lengkap dengan rumus dan jurnal excel - Jun 02 2022

web feb 9 2023 margin harga jual harga beli harga beli lalu apa rumus menghitung harga jualnya seperti yang disebutkan diatas bahwa pada cara ini harga jua ditentukan berdasarkan asumsi harga untuk contoh menghitung harga jual di excel silahkan perhatikan gambar berikut ini

[menggunakan kolom terhitung dalam tabel excel dukungan microsoft](#) - Aug 04 2022

web kolom terhitung excel tabel adalah alat yang hebat untuk memasukkan rumus secara efisien baris otomatis memungkinkan anda memasukkan satu rumus dalam satu sel lalu rumus tersebut secara otomatis akan diperluas ke kolom lainnya dengan sendirinya tidak perlu menggunakan perintah isian atau salin

rumus total harga di excel cara mudah menghitung harga - Dec 08 2022

web feb 11 2023 baca express tampilkan 1 apa itu rumus total harga di excel 2 cara membuat rumus total harga di excel 3 contoh penggunaan rumus total harga di excel 4 kelebihan rumus total harga di excel 5 kesimpulan 5 1 sampai jumpa kembali di artikel menarik lainnya hello kaum berotak pernahkah anda mengalami kesulitan

catat ini rumus menghitung total di excel yang mudah dan cepat - Nov 07 2022

web sep 7 2022 format yang digunakan dalam rumus menghitung total di excel adalah sum a1 a6 a1 dan a6 adalah baris kolom yang akan dijumlahnya nantinya produk yang mungkin kamu suka prenagen mommy strawberry 400gr rp 87 600 prenagen mommy mocha 400gr rp 89 500 prenagen esensis velvety choco 180 gr rp 36 800

cara menghitung total harga di excel teknopedia co id - Feb 10 2023

web jun 12 2023 6 gunakan rumus sum untuk menghitung total harga selanjutnya gunakan rumus sum untuk menghitung total harga dalam tabel ketik fungsi sum diikuti oleh tanda kurung buka setelah itu pilih sel pada kolom yang berisi angka yang ingin anda tambahkan sebagai contoh sum d3 d9 untuk menghitung total harga pada kolom

rumus mencari total harga di excel menggunakan rumus if excel - May 01 2022

web nov 3 2021 rumus mencari total harga di excel menggunakan rumus if excel untuk diskon adhe pradiptha salah satunya digunakan untuk mencari nilai tertinggi serta terendah dalam sebuah data unduhmaterico

menghitung total data dalam tabel excel dukungan microsoft - Aug 16 2023

web menghitung total data dalam tabel excel windows macos web anda bisa dengan cepat menjumlahkan data dalam tabel excel dengan mengaktifkan opsi baris total lalu menggunakan salah satu dari beberapa fungsi yang disediakan dalam daftar turun bawah untuk setiap kolom tabel

rumus excel total harga menghitung harga dengan mudah dan - Mar 11 2023

web feb 17 2023 ketikkan rumus jumlah jumlah barang atau jasa harga per satuan barang atau jasa pada sel pertama kolom total harga salin rumus tersebut pada sel sel lainnya pada kolom total harga selesai total harga dari semua barang atau jasa akan otomatis terhitung contoh penggunaan rumus excel total harga

cara membuat daftar harga otomatis dalam excel dengan menggunakan rumus - Dec 28 2021

web dec 22 2019 c4 d4 rumus excel untuk harga jual diatas akan mejumlahkan harga beli dengan profit atau keuntungan yang sudah kita hitung sebelumnya dengan kedua rumus tersebut diatas untuk mengisi tabel daftar harga jual kita cukup mengetikan nama barang serta harga belinya dan nilai profit serta harga jual akan otomatis muncul

4 cara cepat rumus penjumlahan excel otomatis advnesia - Apr 12 2023

web rumus penjumlahan excel ke samping sebenarnya adalah penggunaan autofill pada rumus jumlah otomatis sum untuk menghitung total kolom lainnya pada tabel contoh menghitung jumlah total penjualan di provinsi jawa timur dan total keseluruhan

cara menghitung total harga di microsoft excel - Oct 06 2022

web pada kolom g baris 3 ketik simbol sebagai pengenalan rumus selanjutnya kita akan menggunakan perkalian agar dapat diketahui total harganya yang akan dikalikan adalah kolom satuan dan kolom harga satuan sehingga rumusnya seperti

berikut a angka langsung 10 3000

rumus total harga di excel cara membuat rumus terstruktur - Jan 29 2022

web nov 4 2021 count adalah rumus yang digunakan untuk menghitung jumlah cell excel yang kamu pilih caranya gampang tinggal kalikan harga item x jumlah barang atau cell b2 x c2 cara menghitungnya yaitu harga asli x harga diskon atau a2 b2
cara untuk menghitung nilai dalam lembar kerja dukungan microsoft - Jul 15 2023

web anda bisa merujuk ke nilai yang ditampilkan pada bilah status saat anda ingin sekilas melihat data namun tidak memiliki waktu untuk memasukkan rumus video menghitung sel menggunakan bilah status excel tonton video berikut untuk mempelajari cara menampilkan jumlah pada bilah status

guides verts week go page 9 sur 9 boutique de l aventure michelin - Dec 09 2022

web guides verts week go michelin vous indique incontournables suggestions d itinéraires et coups de cœur de vos séjours en france ou dans le monde

varsovie michelin green guide week go boutique de l aventure michelin - Sep 18 2023

web 9 90 with the green guide week go varsovie make the most of your few days on site find in this guide must sees favorites addresses for all budgets suggestions of itineraries many maps and plans to find the main starred sites of the destination format 16 x 12 cm french edition add to cart

guide vert week go varsovie michelin copy - Jan 10 2023

web guide vert week go varsovie michelin conquerors jan 09 2021 as remarkable as columbus and the conquistador expeditions the history of portuguese exploration is now almost forgotten but portugal s navigators cracked the code of the atlantic winds launched the expedition of vasco da

guide vert week go varsovie michelin - Jun 03 2022

web next door to the declaration as capably as perception of this guide vert week go varsovie michelin can be taken as skillfully as picked to act driving europe frank schipper 2008 today we can hardly imagine life in europe without roads and theautomobiles that move people and goods around in fact the vastmajority of

guide vert week go varsovie michelin fnac - May 14 2023

web sep 29 2023 guide vert week go varsovie michelin dernier livre de collectif précommande date de sortie fnac accueil livre tourisme et voyage réserver dès maintenant livres tourisme guide vert week go varsovie michelin collectif auteur paru le 29 septembre 2023 guide broché guide vert week go varsovie michelin

michelin green guide week go boutique de l aventure michelin - Jul 04 2022

web with the green guide week go paris make the most of your few days there find in this guide must sees favorites addresses for all budgets 12 x 16 cm french edition seville michelin green guide week go quantity add to cart category

europe week go michelin green guides maps and guides week go michelin green

guide vert week go vienne michelin boutique de l aventure michelin - Feb 28 2022

web edition française ajouter au panier catégorie cartes et guides michelin guide vert week go europe guides verts week go

le guide vert week go michelin un guide complet illustré pratique regroupant itinéraires incontournables coups de

guide vert week go varsovie michelin librairie eyrolles - Feb 11 2023

web sep 29 2023 résumé laissez vous guider par nos auteurs au cours de leurs innombrables tournées ils ont déniché pour

vous des lieux inoubliables ou insolites les incontournables classés 1 2 ou 3 étoiles le palais de la culture et des sciences la

place du marché de la vieille ville le palais de wilanów

guide vert week go varsovie boutique de l aventure michelin - Aug 17 2023

web le guide vert week go michelin un guide complet illustré pratique regroupant itinéraires incontournables coups de cœur

pour les courts séjours

guide vert varsovie week end michelin amazon sg - Aug 05 2022

web hello select your address all

michelin guide vert week go varsovie librairie du voyage - Jul 16 2023

web sep 29 2023 michelin guide vert week go varsovie librairie du voyage accueil guides tourisme découverte culture

michelin guide vert week go varsovie michelin guide vert week go varsovie la collection week go de michelin reprend les

bases de cet éditeur à savoir un classement par étoiles

amazon fr guide vert week go varsovie michelin livres - Jun 15 2023

web avec le guide vert week go varsovie profitez à 100 de vos quelques jours sur place tout en couleur et richement illustré

ce guide au format pocket vous propose les immanquables à visiter les coups de coeur des auteurs michelin des programmes

clefs en main et un plan détachable avec adresses positionnées pour vous guider

guide vert week go varsovie michelin by michelin - May 02 2022

web guide vert week go varsovie michelin by michelin april 26th 2020 guide vert week amp go bruxelles michelin pour bien

préparer votre voyage à varsovie laissez vous guider par le livre touristique petit futé

le guide vert week go michelin editions - Oct 19 2023

web le guide vert week go le meilleur de la destination un plan détachable les incontournables et nos coups de cœur un

concentré d informations pratiques et culturelles des adresses pour se restaurer prendre un verre sortir ou faire du shopping

guide vert week go varsovie broché collectif fnac - Nov 08 2022

web oct 13 2018 guide vert week go varsovie collectif michelin travel partner des milliers de livres avec la livraison chez

vous en 1 jour ou en magasin avec 5 de réduction

guide vert week end varsovie michelin paperback - Sep 06 2022

web guide vert week end varsovie michelin on amazon com au free shipping on eligible orders guide vert week end varsovie michelin

le guide vert week go varsovie édition 2023 cultura - Apr 13 2023

web sep 29 2023 le guide vert week go varsovie édition 2023 par collectif michelin aux éditions michelin

guide vert week go varsovie paperback october 13 2018 - Mar 12 2023

web oct 13 2018 amazon com guide vert week go varsovie 9782067237445 collectif michelin books

guide vert week go séville michelin michelin amazon fr - Apr 01 2022

web guide vert week go séville michelin broché illustré 10 mars 2023 de michelin sous la direction de 5 0 5 0 sur 5 étoiles 1 évaluation

guide vert week go varsovie xxx michelin actualité - Oct 07 2022

web sep 29 2023 au cours de leurs innombrables tournées ils ont déniché pour vous des lieux inoubliables ou insolites les incontournables classés 1 2 ou 3 étoiles le palais de la culture et des