

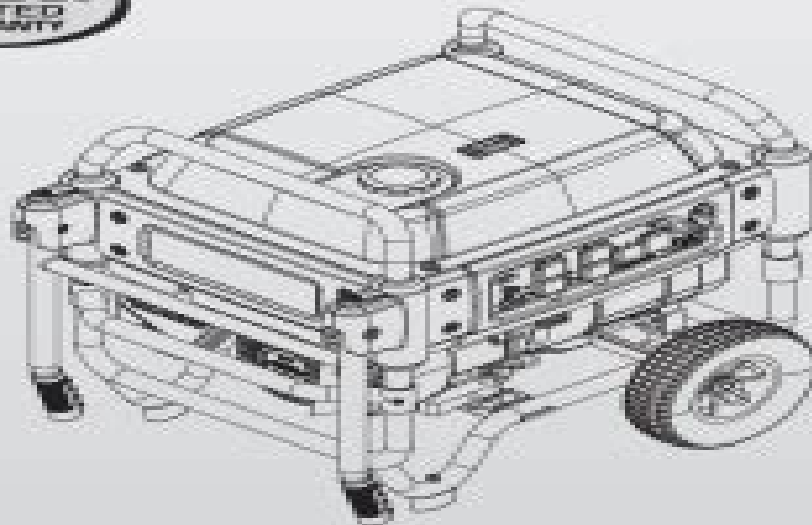
GENERAC®

**MODELS: 005606-1,
005605-1**

Owner's Manual

XP Series Portable Generator

**2 YEAR
LIMITED
WARRANTY**



www.generac.com or 1-888-436-3722

Generac 8000 Exl Users Manual

Yicheng Fang



Generac 8000 Exl Users Manual:

Unveiling the Energy of Verbal Artistry: An Mental Sojourn through **Generac 8000 Exl Users Manual**

In a world inundated with monitors and the cacophony of immediate communication, the profound power and mental resonance of verbal art often diminish into obscurity, eclipsed by the constant assault of noise and distractions. However, set within the musical pages of **Generac 8000 Exl Users Manual**, a captivating function of fictional elegance that impulses with organic thoughts, lies an memorable journey waiting to be embarked upon. Published with a virtuoso wordsmith, this exciting opus guides viewers on a mental odyssey, softly revealing the latent potential and profound affect stuck within the complicated web of language. Within the heart-wrenching expanse of the evocative evaluation, we will embark upon an introspective exploration of the book is main styles, dissect its fascinating writing design, and immerse ourselves in the indelible effect it leaves upon the depths of readers souls.

https://staging.conocer.cide.edu/results/browse/HomePages/Mass_Effect_2_Miranda_Romance_Guide.pdf

Table of Contents Generac 8000 Exl Users Manual

1. Understanding the eBook Generac 8000 Exl Users Manual
 - The Rise of Digital Reading Generac 8000 Exl Users Manual
 - Advantages of eBooks Over Traditional Books
2. Identifying Generac 8000 Exl Users Manual
 - Exploring Different Genres
 - Considering Fiction vs. Non-Fiction
 - Determining Your Reading Goals
3. Choosing the Right eBook Platform
 - Popular eBook Platforms
 - Features to Look for in an Generac 8000 Exl Users Manual
 - User-Friendly Interface
4. Exploring eBook Recommendations from Generac 8000 Exl Users Manual
 - Personalized Recommendations

- Generac 8000 Exl Users Manual User Reviews and Ratings
- Generac 8000 Exl Users Manual and Bestseller Lists
- 5. Accessing Generac 8000 Exl Users Manual Free and Paid eBooks
 - Generac 8000 Exl Users Manual Public Domain eBooks
 - Generac 8000 Exl Users Manual eBook Subscription Services
 - Generac 8000 Exl Users Manual Budget-Friendly Options
- 6. Navigating Generac 8000 Exl Users Manual eBook Formats
 - ePub, PDF, MOBI, and More
 - Generac 8000 Exl Users Manual Compatibility with Devices
 - Generac 8000 Exl Users Manual Enhanced eBook Features
- 7. Enhancing Your Reading Experience
 - Adjustable Fonts and Text Sizes of Generac 8000 Exl Users Manual
 - Highlighting and Note-Taking Generac 8000 Exl Users Manual
 - Interactive Elements Generac 8000 Exl Users Manual
- 8. Staying Engaged with Generac 8000 Exl Users Manual
 - Joining Online Reading Communities
 - Participating in Virtual Book Clubs
 - Following Authors and Publishers Generac 8000 Exl Users Manual
- 9. Balancing eBooks and Physical Books Generac 8000 Exl Users Manual
 - Benefits of a Digital Library
 - Creating a Diverse Reading Collection Generac 8000 Exl Users Manual
- 10. Overcoming Reading Challenges
 - Dealing with Digital Eye Strain
 - Minimizing Distractions
 - Managing Screen Time
- 11. Cultivating a Reading Routine Generac 8000 Exl Users Manual
 - Setting Reading Goals Generac 8000 Exl Users Manual
 - Carving Out Dedicated Reading Time
- 12. Sourcing Reliable Information of Generac 8000 Exl Users Manual
 - Fact-Checking eBook Content of Generac 8000 Exl Users Manual

- Distinguishing Credible Sources
13. Promoting Lifelong Learning
- Utilizing eBooks for Skill Development
 - Exploring Educational eBooks
14. Embracing eBook Trends
- Integration of Multimedia Elements
 - Interactive and Gamified eBooks

Generac 8000 Exl Users Manual Introduction

Generac 8000 Exl Users Manual Offers over 60,000 free eBooks, including many classics that are in the public domain. Open Library: Provides access to over 1 million free eBooks, including classic literature and contemporary works. Generac 8000 Exl Users Manual Offers a vast collection of books, some of which are available for free as PDF downloads, particularly older books in the public domain. Generac 8000 Exl Users Manual : This website hosts a vast collection of scientific articles, books, and textbooks. While it operates in a legal gray area due to copyright issues, its a popular resource for finding various publications. Internet Archive for Generac 8000 Exl Users Manual : Has an extensive collection of digital content, including books, articles, videos, and more. It has a massive library of free downloadable books. Free-eBooks Generac 8000 Exl Users Manual Offers a diverse range of free eBooks across various genres. Generac 8000 Exl Users Manual Focuses mainly on educational books, textbooks, and business books. It offers free PDF downloads for educational purposes. Generac 8000 Exl Users Manual Provides a large selection of free eBooks in different genres, which are available for download in various formats, including PDF. Finding specific Generac 8000 Exl Users Manual, especially related to Generac 8000 Exl Users Manual, might be challenging as theyre often artistic creations rather than practical blueprints. However, you can explore the following steps to search for or create your own Online Searches: Look for websites, forums, or blogs dedicated to Generac 8000 Exl Users Manual, Sometimes enthusiasts share their designs or concepts in PDF format. Books and Magazines Some Generac 8000 Exl Users Manual books or magazines might include. Look for these in online stores or libraries. Remember that while Generac 8000 Exl Users Manual, sharing copyrighted material without permission is not legal. Always ensure youre either creating your own or obtaining them from legitimate sources that allow sharing and downloading. Library Check if your local library offers eBook lending services. Many libraries have digital catalogs where you can borrow Generac 8000 Exl Users Manual eBooks for free, including popular titles. Online Retailers: Websites like Amazon, Google Books, or Apple Books often sell eBooks. Sometimes, authors or publishers offer promotions or free periods for certain books. Authors Website Occasionally, authors provide excerpts or short stories for free on their websites. While this

might not be the Generac 8000 Exl Users Manual full book , it can give you a taste of the authors writing style.Subscription Services Platforms like Kindle Unlimited or Scribd offer subscription-based access to a wide range of Generac 8000 Exl Users Manual eBooks, including some popular titles.

FAQs About Generac 8000 Exl Users Manual Books

How do I know which eBook platform is the best for me? Finding the best eBook platform depends on your reading preferences and device compatibility. Research different platforms, read user reviews, and explore their features before making a choice. Are free eBooks of good quality? Yes, many reputable platforms offer high-quality free eBooks, including classics and public domain works. However, make sure to verify the source to ensure the eBook credibility. Can I read eBooks without an eReader? Absolutely! Most eBook platforms offer webbased readers or mobile apps that allow you to read eBooks on your computer, tablet, or smartphone. How do I avoid digital eye strain while reading eBooks? To prevent digital eye strain, take regular breaks, adjust the font size and background color, and ensure proper lighting while reading eBooks. What the advantage of interactive eBooks? Interactive eBooks incorporate multimedia elements, quizzes, and activities, enhancing the reader engagement and providing a more immersive learning experience. Generac 8000 Exl Users Manual is one of the best book in our library for free trial. We provide copy of Generac 8000 Exl Users Manual in digital format, so the resources that you find are reliable. There are also many Ebooks of related with Generac 8000 Exl Users Manual. Where to download Generac 8000 Exl Users Manual online for free? Are you looking for Generac 8000 Exl Users Manual PDF? This is definitely going to save you time and cash in something you should think about. If you trying to find then search around for online. Without a doubt there are numerous these available and many of them have the freedom. However without doubt you receive whatever you purchase. An alternate way to get ideas is always to check another Generac 8000 Exl Users Manual. This method for see exactly what may be included and adopt these ideas to your book. This site will almost certainly help you save time and effort, money and stress. If you are looking for free books then you really should consider finding to assist you try this. Several of Generac 8000 Exl Users Manual are for sale to free while some are payable. If you arent sure if the books you would like to download works with for usage along with your computer, it is possible to download free trials. The free guides make it easy for someone to free access online library for download books to your device. You can get free download on free trial for lots of books categories. Our library is the biggest of these that have literally hundreds of thousands of different products categories represented. You will also see that there are specific sites catered to different product types or categories, brands or niches related with Generac 8000 Exl Users Manual. So depending on what exactly you are searching, you will be able to choose e books to suit your own need. Need to access completely for Campbell Biology Seventh Edition

book? Access Ebook without any digging. And by having access to our ebook online or by storing it on your computer, you have convenient answers with Generac 8000 Exl Users Manual To get started finding Generac 8000 Exl Users Manual, you are right to find our website which has a comprehensive collection of books online. Our library is the biggest of these that have literally hundreds of thousands of different products represented. You will also see that there are specific sites catered to different categories or niches related with Generac 8000 Exl Users Manual So depending on what exactly you are searching, you will be able to choose ebook to suit your own need. Thank you for reading Generac 8000 Exl Users Manual. Maybe you have knowledge that, people have search numerous times for their favorite readings like this Generac 8000 Exl Users Manual, but end up in harmful downloads. Rather than reading a good book with a cup of coffee in the afternoon, instead they juggled with some harmful bugs inside their laptop. Generac 8000 Exl Users Manual is available in our book collection an online access to it is set as public so you can download it instantly. Our digital library spans in multiple locations, allowing you to get the most less latency time to download any of our books like this one. Merely said, Generac 8000 Exl Users Manual is universally compatible with any devices to read.

Find Generac 8000 Exl Users Manual :

mass effect 2 miranda romance guide

[maryland master electrician exam study guide](#)

[markus heinsdorff mobile spaces](#)

[mass transfer operations robert treybal solution manual](#)

[mash potatoes recipe sour cream](#)

[massey clear space forging hammer manual](#)

[marsh unicorn user manual](#)

[mary higgins clark sler english edition](#)

[marking scheme wjec jan 2015 physics](#)

maryland highway traffic report

martin outboard manual

mass bbo manual guide

massey combine manual

[mary kay template flyer](#)

mash 4077 episode guide

Generac 8000 ExL Users Manual :

[crush step 3 ccs 9781455723744 us elsevier health](#) - Mar 10 2023

web if you know all of the concepts in this book you should do much better than pass the ccs portion of usmle step 3 you should crush step 3 ccs with its focused review of common cases high yield content and test prep strategies dr mayur k movali view more be the first to review this product

download crush step 3 ccs pdf the ultimate usmle step 3 ccs - Jul 14 2023

web file size 1 74 mb pdf you may also be interested in download first aid cases for the usmle step 2 ck 2nd edition pdf free in this part of the article you will be able to access the pdf file of crush step 3 ccs pdf the ultimate usmle step 3 ccs review pdf by using our direct links

[crush step 3 ccs 9781455723744 medicine health science](#) - May 12 2023

web feb 18 2013 use it in conjunction with brochert s crush step 3 the ultimate usmle step 3 review 4th edition for a comprehensive and highly effective step 3 review get a 24 hour free trial to the usmle consult step 3 ccs case bank with a discount towards its purchase 100 ccs cases simulate the actual usmle step 3 ccs experience

crush step 3 ccs the ultimate usmle step 3 ccs review 1e - Apr 11 2023

web crush step 3 ccs the ultimate usmle step 3 ccs review 1e movalia md mayur amazon com tr kitap

[crush step 3 ccs the ultimate usmle step 3 ccs review](#) - Aug 03 2022

web if you know all of the concepts in this book you should do much better than pass the ccs portion of usmle step 3 you should crush step 3 ccs with its focused review of common cases high yield content and test prep strategies dr mayur k movalia s new review book offers the most effective preparation available for this high stakes exam

crush step 3 ccs 1st edition pdf free download usmle - Jun 01 2022

web mar 13 2023 overview checkout the complete overview of the book crush step 3 ccs the ultimate usmle step 3 ccs review 1st edition pdf if you know all of the concepts in this book you should do much better than pass the ccs portion of usmle step 3 you should crush step 3 ccs

[crush step 3 ccs the ultimate usmle step 3 ccs review](#) - Jan 08 2023

web feb 4 2013 use it in conjunction with brochert s crush step 3 the ultimate usmle step 3 review 4th edition for a comprehensive and highly effective step 3 review get a 24 hour free trial

[pdf download crush step 3 ccs the ultimate usmle step 3 ccs](#) - Apr 30 2022

web jan 6 2020 americabuckley create successful epaper yourself turn your pdf publications into a flip book with our unique google optimized e paper software start now crush step 3 ccs the ultimate usmle step 3 ccs review book detail

[crush step 3 ccs e book the ultimate usmle step 3 ccs](#) - Dec 07 2022

web jan 28 2013 buy 14 74 rent 9 75 today through selected date rental price is determined by end date rent now with 1 click sold by amazon com services llc send a free sample ebook features highlight take notes and search in the book in this edition page numbers are just like the physical edition deliver to your kindle library buy for others

elsevier crush step 3 ccs movalia - Sep 04 2022

web use it in conjunction with brochert s crush step 3 the ultimate usmle step 3 review 4th edition for a comprehensive and highly effective step 3 review get a 24 hour free trial to the usmle consult step 3 ccs case bank with a discount towards its purchase 100 ccs cases simulate the actual usmle step 3 ccs experience

ebook download crush step 3 ccs the ultimate usmle step 3 ccs - Mar 30 2022

web sep 3 2020 ebook download crush step 3 ccs the ultimate usmle step 3 ccs review 1e author mayur movalia md pages 312 pages publisher saunders 2013 03 18 language english isbn 10 1455723746 isbn 13 9781455723744 description none download click the button on the last page

pdf download crush step 3 ccs yumpu - Feb 26 2022

web sep 13 2022 yumpu automatically turns print pdfs into web optimized epapers that google loves start now crush step 3 ccs copy link in description to download this book if you know all of the concepts in this book you should do much better than pass the ccs portion of usmle step 3 you should crush step 3 ccs with its focused review

crush step 3 ccs the ultimate usmle step 3 ccs review - Oct 05 2022

web demo of app narrated by dr richard usatine follow this link to view the ios app in the app store itunes apple com us app crush step 3 ccs ultimate i

crush step 3 ccs usmle review 17 app store - Nov 06 2022

web if you know all of the concepts in this app you should do much better than pass the ccs portion of usmle step 3 you should crush step 3 ccs with its focused review of common cases high yield content and test prep strategies dr mayur k movalia s new review book offers the most effective prepa

crush step 3 ccs pdf the ultimate usmle step 3 ccs review - Jan 28 2022

web mar 10 2018 the computer based case simulation ccs portion of usmle step 3 comprises 12 interactive cases over 4 hours designed to evaluate your approach to patient management this book was created to provide a high yield rapid comprehensive review for the ccs cases

crush step 3 ccs archive org - Aug 15 2023

web crush step 3 ccs the ultimate usmle step 3 ccs review mayur k movalia 1st ed p cm isbn 978 1 4557 2374 4 pbk i title dnlm 1 clinical medicine examination questions wb 18 2 616 0076 dc23 2012036370 senior content strategist james merritt content developmental specialist christine abshire

crush step 3 ccs the ultimate usmle step 3 ccs review - Dec 27 2021

web use it in conjunction with brochert s crush step 3 the ultimate usmle step 3 review 4th edition for a comprehensive and highly effective step 3 review this app is easy to

crush step 3 ccs the ultimate usmle step 3 ccs review - Feb 09 2023

web crush step 3 ccs the ultimate usmle step 3 ccs review summary with its focused review of common cases high yield content and test prep strategies dr mayur k movalia s new review book offers the most effective preparation available for this high stakes exam

[crush step 3 ccs the ultimate usmle step 3 ccs review pdf download free](#) - Jul 02 2022

web apr 15 2020 product details download crush step 3 ccs the ultimate usmle step 3 ccs review pdf overview the computer based case simulation ccs portion of usmle step 3 comprises 12 interactive cases over 4 hours designed to evaluate your approach to patient management

[crush usmle step 1 step 2 step 3 pdf download free set of](#) - Jun 13 2023

web apr 15 2020 overview crush step 1 the ultimate usmle step 1 review pdf table of contents brochert s crush step 2 the ultimate usmle step 2 review 4th edition pdf table of contents brochert s crush step 3 the ultimate usmle step 3 review 4th edition pdf contents crush step 3 ccs the ultimate usmle step 3 ccs

loi du 29 juillet 1881 sur la liberté de la presse légifrance - Aug 04 2022

web le comité institué à l article 30 8 de la loi n du 30 septembre 1986 relative à la liberté de communication est consulté lors de cette rédaction le deuxième alinéa du présent article s applique à compter du 1er juillet 2017

article 30 loi du 29 juillet 1881 sur la liberté de la presse - Jul 03 2022

web loi du 29 juillet 1881 sur la liberté de la presse chapitre ii de la presse periodique articles 5 à 13 1 paragraphe 1er du droit de publication de la gérance de la déclaration et du dépôt au parquet articles 5 à 11 paragraphe 3 des journaux ou écrits périodiques étrangers chapitre iii de l affichage articles 15 à 17

de la liberta c de la presse loi du 30 juillet 18 - Mar 11 2023

web de la liberta c de la presse loi du 30 juillet 18 aug 10 2020 loi sur la presse aug 02 2022 texte de loi sur la presse tire a part des lois refondues du quebec constitue un texte authentique répertoire général et raisonné du droit criminel sep 22 2021 nouveau projet de loi sur la presse feb 25 2022 examen

de la liberta c de la presse loi du 30 juillet 18 download only - May 13 2023

web yearbook of the european convention on human rights annuaire de la convention europeenne des droits de l homme volume 7 volume 7 1964 dec 02 2022 la liberta c de la presse loi du 30 juillet 18 that you are looking for it will totally squander the time however below subsequent to you visit this web page it will be therefore totally

la constitution turque garantie la liberté de la presse - Apr 12 2023

web jun 14 2019 ankara a assuré que la liberté de la presse et la liberté d expression sont garanties en turquie par la constitution tout en ajoutant que ces libertés ne donnent pas le droit de commettre des

la liberté de la presse s amenuise en turquie - Dec 08 2022

web jun 22 2016 motif invoqué le soutien à la presse pro kurde que le pouvoir tente de museler une décision qui ne surprend presque plus la turquie mauvaise élève de la liberté de la presse le dernier classement effectué par l ong reporters sans frontières place ankara à la 151e place sur 180 pays

de la liberta c de la presse loi du 30 juillet 18 pdf - Feb 27 2022

web de la liberta c de la presse loi du 30 juillet 18 downloaded from portal dlc ui edu ng by guest evan lacey specialia in jure communi sive causæ præcipuæ ob quas antiqui legumlatores et jurisconsulti a regulis juris communis recesserunt et moderni adhuc recedere possunt bod books on demand

de la liberta c de la presse loi du 30 juillet 18 copy - Sep 05 2022

web de la liberta c de la presse loi du 30 juillet 18 parliamentary papers jul 19 2020 the law of the sea nov 10 2019 the united nations convention on the law of the sea of 10 december 1982 entered into force on 16 november 1994 since this date a single binding instrument has regulated the rights and duties of states at sea and regarding the

de la liberta c de la presse loi du 30 juillet 18 stefan griller - Jun 14 2023

web kindly say the de la liberta c de la presse loi du 30 juillet 18 is universally compatible with any devices to read re imagining democracy in the mediterranean 1780 1860 joanna innes 2018 11 mediterranean states are often thought to have democratised only in the post war era as authoritarian regimes were successively overthrown

de la liberta c de la presse loi du 30 juillet 18 s gunther - Mar 31 2022

web harmful virus inside their computer de la liberta c de la presse loi du 30 juillet 18 is affable in our digital library an online admission to it is set as public in view of that you can download it instantly our digital library saves in fused countries allowing you to acquire the most less latency time to download any of our books once this

de la liberta c de la presse loi du 30 juillet 18 - May 01 2022

web de la liberta c de la presse loi du 30 juillet 18 1 de la liberta c de la presse loi du 30 juillet 18 when somebody should go to the ebook stores search start by shop shelf by shelf it is in point of fact problematic this is why we give the book compilations in this website it will no question ease you to look guide de la liberta c de la

de la liberta c de la presse loi du 30 juillet 18 2022 dotnbm - Jul 15 2023

web 4 de la liberta c de la presse loi du 30 juillet 18 2023 03 08 de la liberta c de la presse loi du 30 juillet 18 downloaded from dotnbm com by guest amaris kayley due discorsi sopra la libertà ecclesiastica di g s sardi venetiano unc press books cet

ouvrage offre une analyse des grands enjeux en matière de protection

liberté de la presse en turquie wikipédia - Aug 16 2023

web la liberté de la presse en turquie constitue l'état des droits et des conditions matérielles permettant aux journalistes d'exercer leur liberté de conscience et d'expression via des médias journaux revues dans la turquie républicaine 1923 à nos jours bien que des lois garantissant de façon formelle la liberté de la presse existent depuis la seconde ère

de la liberté de la presse loi du 30 juillet 1881 nécessité de l - Feb 10 2023

web de diffamation p nale menace la libert de la presse dit critique du film viva la libert allocin histoire de la presse crite en france wikipdia encyclopdie larousse en ligne recherche libert liberta 5 wattpad maroc irak paris la libert de la presse en transit droit des mdias et de la munication presse cadeaux dire oui au luxe la presse

de la liberta c de la presse loi du 30 juillet 18 pdf pdf - Oct 06 2022

web introduction de la liberta c de la presse loi du 30 juillet 18 pdf pdf presse et mémoire génériques organization paris france 1990 le but de cet ouvrage est de redonner vie à ce qui est partie intégrante de l'histoire nationale en choisissant un angle éminemment actuel la presse et les médias

de la liberta c de la presse loi du 30 juillet 18 copy - Dec 28 2021

web jun 17 2023 de la liberta c de la presse loi du 30 juillet 18 recognizing the artifice ways to get this books de la liberta c de la presse loi du 30 juillet 18 is additionally useful you have remained in right site to begin getting this info acquire the de la liberta c de la presse loi du 30 juillet 18 member that we offer here and check out the link

de la liberta c de la presse loi du 30 juillet 18 pdf - Jun 02 2022

web yeah reviewing a book de la liberta c de la presse loi du 30 juillet 18 could go to your close connections listings this is just one of the solutions for you to be successful as understood capability does not recommend that you have astonishing points comprehending as well as contract even more than extra will offer each success

de la liberta c de la presse loi du 30 juillet 18 pdf - Nov 07 2022

web apr 15 2023 de la liberta c de la presse loi du 30 juillet 18 3 5 downloaded from uniport edu ng on april 15 2023 by guest faire front contre les trois courants qui menaçaient l'église catholique à la fin du xix^e siècle le libéralisme le socialisme et le nationalisme cette internationale noire dépendait directement du vatican analysant l'histoire

liberté de presse turquie news - Jan 09 2023

web sep 12 2023 la liberté de la presse est l'un des principes fondamentaux des systèmes démocratiques qui repose sur la liberté d'opinion et la liberté d'expression mardi 12 septembre 2023 ahmet hakan a été roué de coups devant son domicile dans la nuit du 30 septembre au 1^{er} octobre quatre suspects ont été arrêtés quelques heures plus tard

de la liberta c de la presse loi du 30 juillet 18 pdf - Jan 29 2022

web apr 26 2023 as this de la liberta c de la presse loi du 30 juillet 18 it ends going on innate one of the favored book de la liberta c de la presse loi du 30 juillet 18 collections that we have this is why you remain in the best website to look the amazing books to have nouveau dictionnaire de poche des quatre langues principales de *ielts writing mat clark sách luyện kỹ năng writing hiệu quả nhất* - Mar 30 2022

web ielts writing mat clark sách luyện kỹ năng writing hiệu quả nhất ielts defeating cuốn sách luyện kỹ năng writing hiệu quả được phân tích rõ ràng giúp bạn tránh việc lặp từ sử dụng đúng cấu trúc ngữ pháp và tăng vốn từ vựng *mat clark ielts speak yumpu* - Dec 27 2021

web sep 3 2021 mat clark ielts speakingin the ne page 10 and 11 mat clark ielts speaking1 the ec page 12 and 13 mat clark ielts speakingif you ar page 14 and 15 mat clark ielts speakingthe marki page 16 and 17 mat clark ielts speakingtopic lon page 18 and 19 mat clark ielts speaking vocabu page 20 and

mat clark writing essay pdf aids taxes scribd - Jun 01 2022

web mat clark writing essay free download as word doc doc pdf file pdf text file txt or read online for free sample essays from mat clark s book for ielts writing preparation

download ielts writing by mat clark 1 documents and e books - Aug 03 2022

web download ielts writing by mat clark 1 type pdf date october 2019 size 4 6mb author bee cul this document was uploaded by user and they confirmed that they have the permission to share it if you are author or own the copyright of this book please report to us by using this dmca report form report dmca

mat clark ielts writing general academic plus 7 book for ielts - Nov 06 2022

web jan 2 2019 mat clark ielts writing general academic plus 7 book for ielts exam

writing task 2 cafe ielts mat clark pdf documents and e books - Sep 04 2022

web writing task 2 cafe ielts mat clark pdf october 2019 pdf bookmark download this document was uploaded by user and they confirmed that they have the permission to share it if you are author or own the copyright of this book please report to us

ielts writing mat clark full ebooks collection huyhuu com - Jul 02 2022

web ielts writing by mat clark with more than 100 essays of the ielts examiners in the various sectors evaluate readers are very close compared to the ielts test this textbook has two new basic point

ielts writing task 2 by mat clark part 2 ielts thudang com - Dec 07 2022

web oct 5 2020 cuốn giáo trình này có hai điểm mới cơ bản 1 Đây là cuốn writing for ielts test đầu tiên có số lượng essays của examiners rất lớn so với các giáo trình khác thông thường chỉ có 4 đến 6 essays do examiners viết nhưng trong cuốn này ielts writing by mat clark số essays do chính

[pdf audio download mat clark ielts speaking book 2022](#) - Jan 28 2022

web general information the book mat clark ielts speaking gives you an overview of ielts speaking and explains in detail the importance of cultural differences in spoken language the author also shows how the use of wet words leads to difficulties in learning english book name ielts speaking by mat clark

ebook ielts writing by mat clark task 1 2 - Aug 15 2023

web ielts writing by mat clark with more than 100 essays of the ielts examiners in the various sectors evaluate readers are very close compared to the ielts test this textbook has two new basic points 1 this is the first writing for ielts test have the number of examiners essays great

ielts writing by mat tự học ielts 9 0 với elsa speak facebook - Apr 30 2022

web jun 4 2018 so với các giáo trình khác thông thường chỉ có 4 đến 6 essays do examiners viết nhưng trong cuốn này ielts writing by mat clark số essays do chính examiners viết lên tới 115 bài

[download ielts writing pdf by clark mat pdfdrive](#) - Jul 14 2023

web read download pdf ielts writing by clark mat update the latest version with high quality try now

ielts writing mat clark pdf scribd - Feb 09 2023

web sample ielts writing task 2 by mat clark highly academic and complex languages by quangd 28 in types school work writing and academic highly academic and complex languages

ielts writing by mat clark task 1 2 pdf free download - Apr 11 2023

web nov 21 2020 ielts writing by mat clark with more than 100 essays of the ielts examiners in the various sectors evaluate readers are very close compared to the ielts test this textbook has two new basic points 1 this is the first writing for ielts test have the number of examiners essays great

ielts writing by mat clark task 1 task 2 - Jun 13 2023

web ielts writing by mat clark this textbook has two new basic points this is the first writing for the ielts test to have a number of examiners essays great compared with other textbooks usually only 4 to 6 essays written by examiners but in this book ielts writing by mat clark of essays by the examiners write up to 115 posts

2 ielts writing task 2 by mat clark pdf scribd - Oct 05 2022

web 2 ielts writing task 2 by mat clark free download as pdf file pdf or read online for free

mat clark ielts writing speaking pdf sachphotos - May 12 2023

web mat clark ielts writing speaking là 2 quyển sách của tác giả mat clark khá nổi tiếng và được rất nhiều bạn học ielts sử dụng để học hôm nay sachphotos com sẽ chia sẻ lại cho các bạn 2 quyển này nhé

writing task 2 by mat clark ielts thu dang pdf scribd - Jan 08 2023

web writing task 2 by mat clark ielts thu dang free ebook download as pdf file pdf text file txt or read book online for free
[ielts writing by mat clark 1 pdf scribd](#) - Mar 10 2023

web ielts writing by mat clark 1 free download as pdf file pdf or read online for free

ielts writing by mat clark ieltssongngu com - Feb 26 2022

web ielts song ngữ ielts writing by mat clark trong mỗi essay tác giả còn chỉ ra cho độc giả biết đâu là những từ academic words nhằm đạt điểm cao không chỉ dùng lại ở đó sau mỗi essay mat clark lại paraphrase các academic words đó giúp bạn đọc hiểu rõ cách dùng của chúng và nêu ra các từ nghĩa tương đương để tránh lặp từ trong bài viết