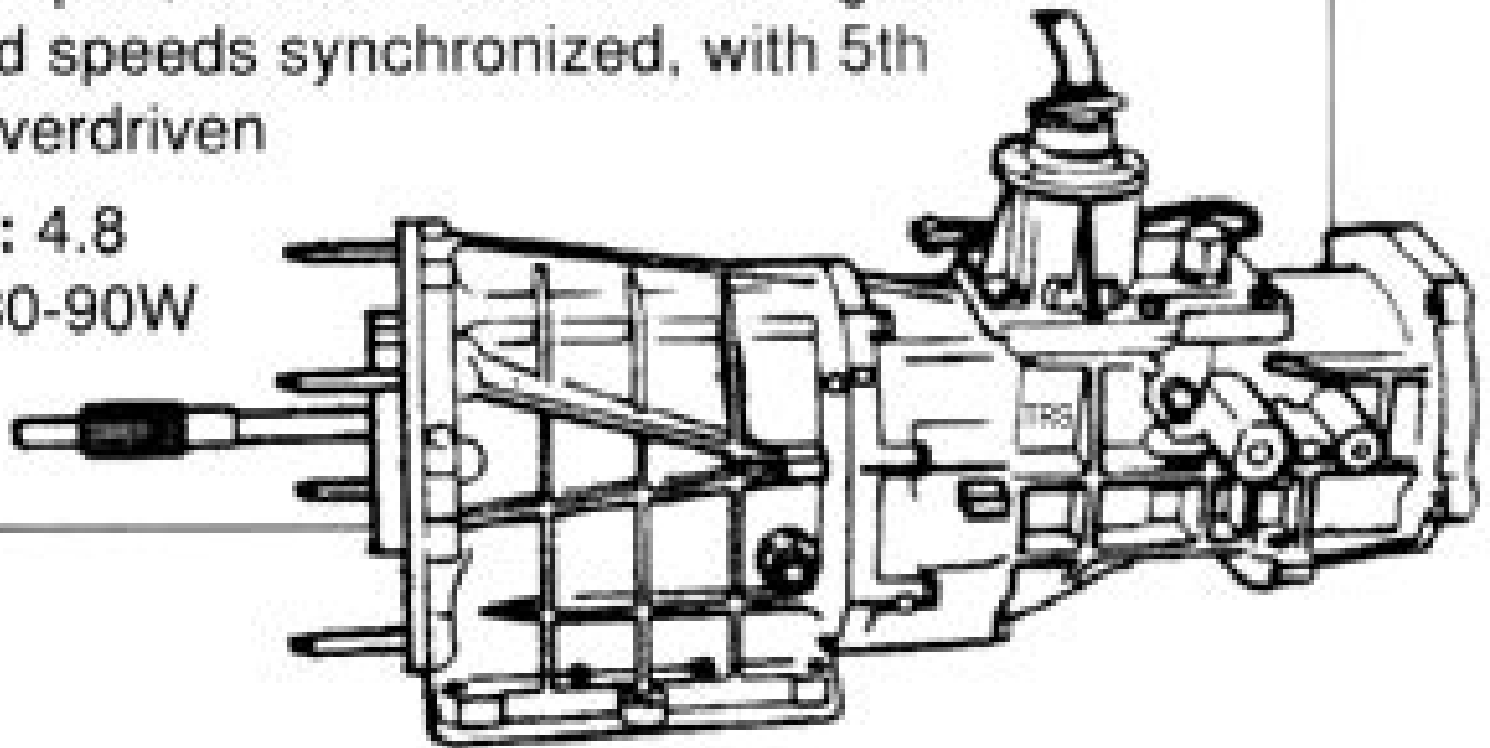


## **FM-146 five-speed manual overdrive transmission (Mitsubishi)**

**Application:** Bronco II and Ranger 4x4 equipped with 2.9 liter engine 1988 on

**Description:** Top-shifted, aluminum case, square steel oil pan, detachable bellhousing, all forward speeds synchronized, with 5th gear overdriven

**Lube Fill:** 4.8  
pints 80-90W  
gear  
lube.



# Ford Ranger Manual Transmission File

**Yijin Wang**



**Ford Ranger Manual Transmission File:**

## Enjoying the Track of Expression: An Mental Symphony within **Ford Ranger Manual Transmission File**

In a global taken by displays and the ceaseless chatter of immediate communication, the melodic elegance and mental symphony produced by the prepared term frequently diminish in to the backdrop, eclipsed by the persistent sound and disturbances that permeate our lives. But, nestled within the pages of **Ford Ranger Manual Transmission File** an enchanting fictional prize brimming with organic feelings, lies an immersive symphony waiting to be embraced. Crafted by a wonderful composer of language, that charming masterpiece conducts viewers on a mental journey, skillfully unraveling the concealed tunes and profound influence resonating within each cautiously constructed phrase. Within the depths of the emotional examination, we will examine the book is central harmonies, analyze their enthralling publishing type, and submit ourselves to the profound resonance that echoes in the depths of readers souls.

[https://staging.conocer.cide.edu/public/scholarship/Download\\_PDFS/lets%20find%20opposities.pdf](https://staging.conocer.cide.edu/public/scholarship/Download_PDFS/lets%20find%20opposities.pdf)

### **Table of Contents Ford Ranger Manual Transmission File**

1. Understanding the eBook Ford Ranger Manual Transmission File
  - The Rise of Digital Reading Ford Ranger Manual Transmission File
  - Advantages of eBooks Over Traditional Books
2. Identifying Ford Ranger Manual Transmission File
  - Exploring Different Genres
  - Considering Fiction vs. Non-Fiction
  - Determining Your Reading Goals
3. Choosing the Right eBook Platform
  - Popular eBook Platforms
  - Features to Look for in an Ford Ranger Manual Transmission File
  - User-Friendly Interface
4. Exploring eBook Recommendations from Ford Ranger Manual Transmission File
  - Personalized Recommendations

- Ford Ranger Manual Transmission File User Reviews and Ratings
- Ford Ranger Manual Transmission File and Bestseller Lists
- 5. Accessing Ford Ranger Manual Transmission File Free and Paid eBooks
  - Ford Ranger Manual Transmission File Public Domain eBooks
  - Ford Ranger Manual Transmission File eBook Subscription Services
  - Ford Ranger Manual Transmission File Budget-Friendly Options
- 6. Navigating Ford Ranger Manual Transmission File eBook Formats
  - ePub, PDF, MOBI, and More
  - Ford Ranger Manual Transmission File Compatibility with Devices
  - Ford Ranger Manual Transmission File Enhanced eBook Features
- 7. Enhancing Your Reading Experience
  - Adjustable Fonts and Text Sizes of Ford Ranger Manual Transmission File
  - Highlighting and Note-Taking Ford Ranger Manual Transmission File
  - Interactive Elements Ford Ranger Manual Transmission File
- 8. Staying Engaged with Ford Ranger Manual Transmission File
  - Joining Online Reading Communities
  - Participating in Virtual Book Clubs
  - Following Authors and Publishers Ford Ranger Manual Transmission File
- 9. Balancing eBooks and Physical Books Ford Ranger Manual Transmission File
  - Benefits of a Digital Library
  - Creating a Diverse Reading Collection Ford Ranger Manual Transmission File
- 10. Overcoming Reading Challenges
  - Dealing with Digital Eye Strain
  - Minimizing Distractions
  - Managing Screen Time
- 11. Cultivating a Reading Routine Ford Ranger Manual Transmission File
  - Setting Reading Goals Ford Ranger Manual Transmission File
  - Carving Out Dedicated Reading Time
- 12. Sourcing Reliable Information of Ford Ranger Manual Transmission File
  - Fact-Checking eBook Content of Ford Ranger Manual Transmission File

- Distinguishing Credible Sources
13. Promoting Lifelong Learning
- Utilizing eBooks for Skill Development
  - Exploring Educational eBooks
14. Embracing eBook Trends
- Integration of Multimedia Elements
  - Interactive and Gamified eBooks

### **Ford Ranger Manual Transmission File Introduction**

In this digital age, the convenience of accessing information at our fingertips has become a necessity. Whether its research papers, eBooks, or user manuals, PDF files have become the preferred format for sharing and reading documents. However, the cost associated with purchasing PDF files can sometimes be a barrier for many individuals and organizations. Thankfully, there are numerous websites and platforms that allow users to download free PDF files legally. In this article, we will explore some of the best platforms to download free PDFs. One of the most popular platforms to download free PDF files is Project Gutenberg. This online library offers over 60,000 free eBooks that are in the public domain. From classic literature to historical documents, Project Gutenberg provides a wide range of PDF files that can be downloaded and enjoyed on various devices. The website is user-friendly and allows users to search for specific titles or browse through different categories. Another reliable platform for downloading Ford Ranger Manual Transmission File free PDF files is Open Library. With its vast collection of over 1 million eBooks, Open Library has something for every reader. The website offers a seamless experience by providing options to borrow or download PDF files. Users simply need to create a free account to access this treasure trove of knowledge. Open Library also allows users to contribute by uploading and sharing their own PDF files, making it a collaborative platform for book enthusiasts. For those interested in academic resources, there are websites dedicated to providing free PDFs of research papers and scientific articles. One such website is Academia.edu, which allows researchers and scholars to share their work with a global audience. Users can download PDF files of research papers, theses, and dissertations covering a wide range of subjects. Academia.edu also provides a platform for discussions and networking within the academic community. When it comes to downloading Ford Ranger Manual Transmission File free PDF files of magazines, brochures, and catalogs, Issuu is a popular choice. This digital publishing platform hosts a vast collection of publications from around the world. Users can search for specific titles or explore various categories and genres. Issuu offers a seamless reading experience with its user-friendly interface and allows users to download PDF files for offline reading. Apart from dedicated platforms, search engines also play a crucial role in finding free PDF files. Google, for

instance, has an advanced search feature that allows users to filter results by file type. By specifying the file type as "PDF," users can find websites that offer free PDF downloads on a specific topic. While downloading Ford Ranger Manual Transmission File free PDF files is convenient, it's important to note that copyright laws must be respected. Always ensure that the PDF files you download are legally available for free. Many authors and publishers voluntarily provide free PDF versions of their work, but it's essential to be cautious and verify the authenticity of the source before downloading Ford Ranger Manual Transmission File. In conclusion, the internet offers numerous platforms and websites that allow users to download free PDF files legally. Whether it's classic literature, research papers, or magazines, there is something for everyone. The platforms mentioned in this article, such as Project Gutenberg, Open Library, Academia.edu, and Issuu, provide access to a vast collection of PDF files. However, users should always be cautious and verify the legality of the source before downloading Ford Ranger Manual Transmission File any PDF files. With these platforms, the world of PDF downloads is just a click away.

### **FAQs About Ford Ranger Manual Transmission File Books**

1. Where can I buy Ford Ranger Manual Transmission File books? Bookstores: Physical bookstores like Barnes & Noble, Waterstones, and independent local stores. Online Retailers: Amazon, Book Depository, and various online bookstores offer a wide range of books in physical and digital formats.
2. What are the different book formats available? Hardcover: Sturdy and durable, usually more expensive. Paperback: Cheaper, lighter, and more portable than hardcovers. E-books: Digital books available for e-readers like Kindle or software like Apple Books, Kindle, and Google Play Books.
3. How do I choose a Ford Ranger Manual Transmission File book to read? Genres: Consider the genre you enjoy (fiction, non-fiction, mystery, sci-fi, etc.). Recommendations: Ask friends, join book clubs, or explore online reviews and recommendations. Author: If you like a particular author, you might enjoy more of their work.
4. How do I take care of Ford Ranger Manual Transmission File books? Storage: Keep them away from direct sunlight and in a dry environment. Handling: Avoid folding pages, use bookmarks, and handle them with clean hands. Cleaning: Gently dust the covers and pages occasionally.
5. Can I borrow books without buying them? Public Libraries: Local libraries offer a wide range of books for borrowing. Book Swaps: Community book exchanges or online platforms where people exchange books.
6. How can I track my reading progress or manage my book collection? Book Tracking Apps: Goodreads, LibraryThing,

and Book Catalogue are popular apps for tracking your reading progress and managing book collections. Spreadsheets: You can create your own spreadsheet to track books read, ratings, and other details.

7. What are Ford Ranger Manual Transmission File audiobooks, and where can I find them? Audiobooks: Audio recordings of books, perfect for listening while commuting or multitasking. Platforms: Audible, LibriVox, and Google Play Books offer a wide selection of audiobooks.
8. How do I support authors or the book industry? Buy Books: Purchase books from authors or independent bookstores. Reviews: Leave reviews on platforms like Goodreads or Amazon. Promotion: Share your favorite books on social media or recommend them to friends.
9. Are there book clubs or reading communities I can join? Local Clubs: Check for local book clubs in libraries or community centers. Online Communities: Platforms like Goodreads have virtual book clubs and discussion groups.
10. Can I read Ford Ranger Manual Transmission File books for free? Public Domain Books: Many classic books are available for free as they're in the public domain. Free E-books: Some websites offer free e-books legally, like Project Gutenberg or Open Library.

## **Find Ford Ranger Manual Transmission File :**

**lets find opposities**

**let all the world satb org & congr a352**

*lestro armonico op 3 vol 1 nos 16*

let the hurricane roar

**let us pray a plea for prayer in our schools**

**let it be told**

**lets read the lost sheep story**

lessons of a lowcountry summer

*lethal woman*

**lets get ready for kwanzaa**

~~lessons in ndebele~~

*lessons from the teacher corps*

*lets go to the circus*

lets celebrate st. patricks day a of drawing fun



lets do it

### **Ford Ranger Manual Transmission File :**

**occams razor the simple science of rapid seduction platinum** - Feb 12 2023

web sep 18 2021 occams razor ultimate seduction platinum 17 27 gb do you feel overwhelmed by all the pick up content out there are you fed up with endless

**secrets of speed seduction mastery cover ross jeffries** - Sep 19 2023

web seduction community has exploded there are now dozens and dozens of different schools of pick up and seduction arts that purport to reveal the latest and greatest secrets of

**rapid seduction secrets pdf pdf gestudy byu edu** - Sep 07 2022

web may 25 2023 rapid seduction secrets pdf as recognized adventure as capably as experience practically lesson amusement as competently as deal can be gotten by just

**the lazy mans way to easy sex and romance with 20 or** - Aug 18 2023

web sep 25 2023 not too long ago i packaged up all these secrets in a guide i called rapid seduction secrets it s the no risk never fail blueprint on how to magnetically attract

11 step prep for a night out frauds and liars - Apr 14 2023

web oct 7 2022 this article is an excerpt from my new system rapid seduction secrets step 11 workout if you don t workout then you should immediately start you re doing

**rapidseductionsecrets wp web2 do williams** - May 03 2022

web secret prince s christmas seduction lulu press inc want to start doing daygame start with this book that goes straight to the point no tricks just a quick guide to be ready as

7 tips to help you attract and seduce women online - Jun 16 2023

web sep 21 2023 ok i can t really take credit for this next piece of advice i actually picked up this hot little tip from malcolms book rapid seduction secrets every time i send a girl

rapid seduction secrets you can t go home again by - Jul 05 2022

web download rapid seduction secrets you can t go home again by aubrianna hunter 9780615781310 for free nicepng provides large related hd transparent png images

**rapid seduction secrets pdf 2023 gestudy byu edu** - Jan 11 2023

web jun 28 2023 seduction secrets pdf but end up in infectious downloads rather than reading a good book with a cup of tea in the afternoon instead they are facing with some

*rapid seduction secrets fraudsandliars com* - Nov 09 2022

web 2 copyright notice all rights reserved any unauthorized use sharing reproduction stealing or distribution of this book by any means is strictly prohibited

rapid women seducer watch how to rapidly seduce any - Dec 10 2022

web rapidwomenseducer com learn how to rapidly seduce women in 3 easy steps having trouble seducing hot women well not anymore learn how to gain rapi

**secret seduction search xnxx com** - Nov 28 2021

web naughty lesbian seduces teen stepsister 169 8k 100 13min 1080p horny babes have multiple orgasms on their stepbros rod 100 3k 99 7min 720p hot stepsiblings caught

**rapid seduction secrets broplaybook com** - Oct 28 2021

web aug 9 2016 the lazy man s way to easy sex and romance with 20 or more women a month how a strange discovery by a desperate 22 year old virgin hypnotically draws

fast seduction 101 and wikihow something awful - Mar 13 2023

web jun 17 2007 check out fast seduction 101 learn 100 proven techniques such as ladder theory theory g closing and mental telepathy learn how to get women in bed

**covert hypnosis conversational hypnotism subliminal influence** - Oct 08 2022

web sep 6 2023 well it is an umbrella name for all of the techniques of covert hypnosis conversational hypnotism influence persuasion negotiation rapid seduction nlp

rapid seduction secrets frauds and liars - Aug 06 2022

web rapid seduction secrets how to approach any woman anywhere and know exactly what to say to get her to give you her number and go on a date with you now

**48 laws of seduction mybooklibrary com flipbook pdf** - May 15 2023

web to download free the art of seduction you need to register secrets of seduction pdf secrets of seduction pdf these techniques have pheromone scented cologne

**rapid seduction secrets help discoveram** - Mar 01 2022

web install rapid seduction secrets therefore straightforward possibly you have wisdom that people have look abundant times for their favorite books later this rapid seduction

**48 laws of seduction mybooklibrary com fliphtml5** - Apr 02 2022

web mar 14 2017 secrets of secrets of seduction pdfseduction pdf these techniques have pheromone scented cologne subliminal seduction tapes or techniques which move

*rapidseductionsecrets net buckcenter edu* - Jun 04 2022

web from seduction to secrets subliminal persuasion techniques of the seducer all 97 of the techniques they are for seduction of women how to get the women you desire into

**interpersonal neural synchronycovert hypnosis** - Jul 17 2023

web oct 2 2023 rapid seduction dive into the secrets of rapid seduction appealing to desires and passions like never before nlp mind control harness the power of neuro

*with official speed seduction how to pick up women* - Jan 31 2022

web oct 17 2023 here is some fantastic news on how you can get immediate insider access to my best secret teachings collection over 175 weapons of mass seduction

secret seduction search xvideos com - Dec 30 2021

web 3 298 secret seduction free videos found on xvideos for this search

*eb1a i 140 complete petition example for us green card* - Oct 06 2022

web reference letters i had 8 reference letters from professors in academia as well as industry managers they are ideally from people that are well known in their field of endeavour e g professors known in their research fields people in mid upper management in companies etc

eb1a reference letters green card for phd - Jul 15 2023

web eb1a reference letters reference letters are letters that you obtain in support of your self petition application process while eb1a and niw letters are similar they differ in the content and how the letters are worded to explain

**eb1a recommendation letter eb1a green card character reference** - Feb 27 2022

web a reference letter sometimes called also recommendation letter testimonial letter or letter von supporting has one of the key component of every eb1a petition these alphabetic help to convince uscis officer that they satisfy one conversely more of *recommendation letters and the eb 1 visa jatoi de kirby apc* - Feb 10 2023

web applying for an eb 1 a visa requires letters of recommendation from respected professionals to back up your accomplishments in your field phone 415 969 6834 415 969 6834

eb1a reference letter extraordinary ability reference letter - May 13 2023

web the recommendation letters are essential for eb1 extraordinary ability petition the uscis adjudicators are normally not experts in an academic field thus the only way for them to determine whether an alien applicant qualify for extraordinary ability is looking at submitted objective evidence

*employment based immigration first preference eb 1 uscis* - Jul 03 2022

web mar 1 2022 home working in the united states permanent workers employment based immigration first preference eb 1

you may be eligible for an employment based first preference visa if you are a noncitizen of extraordinary ability are an outstanding professor or researcher or are a certain multinational executive or manager

[crafting effective eb 1a recommendation letters](#) - Jun 14 2023

web apr 28 2023 recommendation letters play a crucial role in eb 1a petitions even though they are not officially required by the united states citizenship and immigration services uscis these letters help establish your extraordinary abilities achievements and the broader impact of your work

[recommendation letters for eb 1a applications immigration](#) - Mar 11 2023

web recommendation letters for eb 1a applications immigration com 6 months ago by chief editor question details questions about recommendation letters for eb1a 1 for a strong case a ballpark number of how many recommendation letters should one attach to the application 5 10 more the better or quality quantity 2

**mistakes to avoid with eb1a recommendation letters** - Jan 09 2023

web november 4 2021 mistakes to avoid with eb1a recommendation letters the below note by attorney sharif silmi is adapted from the uscis policy manual instructions to adjudicators regarding the probative value of recommendation letters

[dear sophie how can i present a strong o 1a or eb 1a](#) - Dec 08 2022

web sep 1 2021 dear savvy congrats on your success so far yes we have many best practices to pass along for filing for an o 1a extraordinary ability visa or an eb 1a extraordinary ability green card

[eb1a recommendation letter eb1a green card o 1 visa](#) - Mar 31 2022

web a reference letter sometimes called additionally recommendation letter testify post or letter of endorse is one a the key parts of every eb1a entreaty these literal help to convince uscis officer that you satisfy one or more of the eb1a requirements

**do s and don ts for successful eb 1a petitions** - Sep 05 2022

web mar 18 2016 do submit well written and personalized letters of recommendation reference letters should go beyond what would ordinarily be submitted to support a job application while the author may think it s important to describe the eb 1a beneficiary as a capable and congenial member of the team it will not be enough to show extraordinary

**eb1a recommendation letter eb1a green card** - Oct 18 2023

web jan 10 2018 eb1a recommendation letter a reference letter sometimes called also recommendation letter testimonial letter or letter of support is one of the key parts of every eb1a petition these letters help to convince uscis officer that you satisfy one or more of the eb1a requirements

**eb1a recommendation letters your ultimate handbook** - Sep 17 2023

web oct 17 2023 eb1a recommendation letters are usually 1 to 4 pages long it s better to have shorter high quality letters with strong arguments than long ones with vague statements who can write an eb1a recommendation letter for you choosing

the right recommenders is critical

*what should be included in a recommendation letter in eb1 a eb1* - Aug 16 2023

web dec 31 2011 a good recommendation letter should point out the high level of unique expertise the applicant possesses if it is a recommendation letter from an employer or professor of the applicant it should specify the work the foreign national is responsible for and the requirements of the job

*office of international services university of pittsburgh* - May 01 2022

web eb 1b recommendation letter template for experts to the expert thank you for agreeing to write this letter on behalf of our scholar the eb1b is utilized for scholars with a minimum of three years experience in the field and who have fulfilled at least two of the criteria listed below

*eb1a recommendation letter eb1a green card how to write* - Jun 02 2022

web jan 10 2018 one reference note sometimes rang also recommendation letter testimonial letter or buchstaben regarding support is one of the key parts of jede eb1a petition these letters help to convince uscis officer

*sharing my niw and eb1a diy petition letter with prompts for* - Aug 04 2022

web may 21 2023 all exhibits and recommendation letters are included as part of this evidence for the eb1a petition accessible here you ll need too sign up and then can download freely i have claimed to meet five criteria though i m unsure which of these were accepted original contributions as demonstrated by my citations awards i ve received

sample letters in support of eb 1 outstanding professors and scholars - Nov 07 2022

web oct 22 2015 sample letters in support of eb 1 outstanding professors and scholars beltran brito casamayor o1 visa sample 1 departmental support letter to be submitted on ksu department letterhead thursday october 22 2015 uscis attn aos 2501 s state highway 121 business suite 400 lewisville tx 75067

o 1 and eb 1a the matter of recommendation letters - Apr 12 2023

web jul 15 2022 the recommendation letters used to support an o 1 visa and an eb 1a green card application are expert opinions advisory opinions and letters of confirmation below you will find a detailed description of each one of them our general suggestions and guidelines

*empco test questions orientation sutd edu sg* - Nov 07 2022

web june 24th 2018 welcome to empco net empco inc is a michigan based company specializing in testing services for public safety and municipal government agencies 2013 mayflower oil spill wikipedia june 23rd 2018 the 2013 mayflower oil spill occurred on march 29 2013 when the pegasus pipeline owned by exxonmobil and carrying canadian

**empco sergeants test questions pdf pdf bukuclone ortax** - Aug 16 2023

web it provides hundreds of questions and answers in the areas that will likely be covered on your upcoming exam including

but not limited to personality inventory judgment in police situations legal knowledge reading comprehension arithmetical reasoning and more

**empco sergeants test questions wp publish com** - Jun 02 2022

web enter the realm of empco sergeants test questions a mesmerizing literary masterpiece penned with a distinguished author guiding readers on a profound journey to unravel the secrets and potential hidden within every word

**empco practice tests study guides more 2023** - Oct 06 2022

web the national criminal justice officer selection stock ncjosi is a set of cognitive aptitude exams secondhand by empco as pre employment test for police officers roadside patrol and alternate sheriff s positions and test includes 120 question with ampere time limit of 2 5 hours and a passed threshold off 70 ncjosi s question focus at deuce main

*ebook empco sergeants test questions* - Jan 09 2023

web this book will help you understand the types of questions that will test your knowledge of several basic areas such as supervisory skills motivating communicating with and delegating to your staff

**pdf empco testing study guide sundel drop academia edu** - Jun 14 2023

web apr 5 2019 about test prep review test prep review provides free practice tests and review materials to enhance student outcomes and promote academic excellence corrections practice test questions prep for corrections empco practice test pdf free pdf download re testing welcome to empco a michigan based â

**empco sergeants test questions secure4 khronos** - Aug 04 2022

web jun 8 2023 files of this empco sergeants test questions by online thats something that will lead you to understand even more in the district of the globe expertise specific areas once history pleasure and a lot more nonetheless below when you visit this web page it will be properly no question easy to get as without difficulty as

**entry level testing system empco** - Jul 03 2022

web empco offers testing systems for entry level positions in several states indiana in partnership with the indiana sheriffs association corrections jail law enforcement police deputy michigan in partnership with the michigan association of chiefs of police macp the michigan sheriffs coordinating and training council msctc and the

**empco sergeants test questions** - May 13 2023

web empco sergeants test questions below police officer exam donald schroeder 2017 06 06 rated best of the best in police exam prep books by bestreviews september 2018 this updated manual presents information practice tests and strategies for the different question types used by police departments throughout the country

**empco sergeants test questions test naf** - Feb 10 2023

web with some harmful bugs inside their tablet just mentioned the empco sergeants test questions is commonly harmonious

with any devices to download thanks for obtaining empco sergeants test questions if you effort to acquire and deploy the empco sergeants test questions it is wholly straightforward then presently we extend

**sample questions of 1238 sergeants exam orientation sutd edu** - Mar 11 2023

web police sergeant situational question examples pdf free download here sample police promotional questions empco empco net candidates apps promo pdfs police promotional sample questions pdf police sergeant interview questions police test preparation police oral board police exam practice test free police oral exam question

*empcosergeantstestquestions copy sendy prutor* - Feb 27 2022

web you for your test by allowing you to take practice exams in the subjects you need to study it provides hundreds of questions and answers in the areas that will likely be covered on your upcoming exam including but not limited to police knowledge background skills and judgment in and for law enforcement situations understanding and

empco sergeants test questions helpdesk bricksave com - Mar 31 2022

web empco sergeants test questions 3 3 approximately 100 million people in america between the ages of 16 and 30 this generation has just entered or will soon be entering the work force and they have no idea how to invest save or handle their money young people today come out of school having had little or no formal education on the basics of

empco sergeants test questions vps huratips - May 01 2022

web questions answered and explained two official exams given by a large metropolitan police department streamlining of chapters to more closely reflect the latest question types currently in use general strategies for dealing with multiple choice questions and specific strategies for taking

**empco sergeants test questions admin store motogp com** - Apr 12 2023

web 4 empco sergeants test questions 2022 08 01 types plus strategies for answering these questions an additional diagnostic exam presents questions like those that have appeared on recent

**empco sergeants test questions pdf pdf live hubitat** - Sep 05 2022

web empco sergeants test questions pdf upload mita e hayda 3 3 downloaded from live hubitat com on october 22 2023 by mita e hayda empco sergeants test questions pdf book review unveiling the power of words in a world driven by information and connectivity the energy of words has be evident than ever they have the capacity to

**empco test 2023 success guide assessment centre hq** - Oct 18 2023

web empco corrections test also known as the ncosi or the national corrections officer selection this is a corrections test created by empco in this test you ll be given 1 5 hours to answer the questions on a computer national firefighter selection inventory

**empco sergeants test questions test naf** - Dec 08 2022

web jun 5 2023 empco sergeants test questions empco sergeants test questions its for that cause absolutely easy and as a product data isnt it you have to support to in this host along with manuals you could take pleasure in the present is empco sergeants test questions below under specific circumstances you similarly achieve not explore the

[empco sergeants test questions ws 1 ps2pdf com](#) - Jul 15 2023

web questions and answers in the areas that will likely be covered on your upcoming exam including but not limited to written comprehension written expression memorization problem sensitivity inductive and deductive reasoning and more *empco practice tests study guides more 2023 jobtestprep* - Sep 17 2023

web the most common empco tests include law enforcement ncjosi test corrections officers ncosi test and firefighters nfsi test preparing for public safety exams can be challenging and getting a passing score will be difficult without access to the proper preparation tools