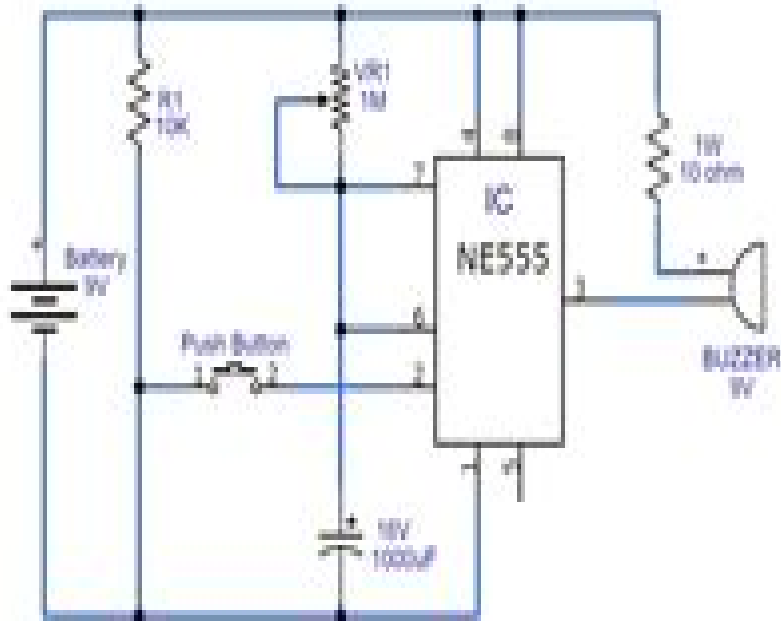


Adjustable Timer Circuit



How To Use A 555 Timer

Thomas Griffiths



How To Use A 555 Timer:

Electronics For Dummies Gordon McComb, Earl Boysen, 2005-02-22 Want to hook up your home theater system Want to fix it so your garage band rocks the neighborhood Want to solder the faulty wire on your old phonograph so you can play those 60s albums you've kept all this time Whether you're a do-it-yourselfer hobbyist or student this book will turn you on to real world electronics It quickly covers the essentials and then focuses on the how-to instead of theory It covers Fundamental concepts such as circuits schematics voltage safety and more Tools of the trade including multimeters oscilloscopes logic probes and more Common electronic components e.g. resistors capacitors transistors Making circuits using breadboards and printed circuit boards Microcontrollers implementation and programming Author Gordon McComb has more than a million copies of his books in print including his bestselling Robot Builder's Bonanza and VCRs and Camcorders For Dummies He really connects with readers With lots of photos and step-by-step explanations this book will have you connecting electronic components in no time In fact it includes fun ideas for great projects you can build in 30 minutes or less You'll be amazed Then you can tackle cool robot projects that will amaze your friends The book gives you lots to choose from Students will find this a great reference and supplement to the typical dry dull textbook So whether you just want to bone up on electronics or want to get things hooked up souped up or fixed up whether you're interested in fixing old electronic equipment understanding guitar fuzz amps or tinkering with robots **Electronics For Dummies** is your quick connection to the stuff you need to know

Electronics All-in-One For Dummies Doug Lowe, 2017-01-18 A comprehensive collection of 8 books in 1 offering electronics guidance that can't be found anywhere else If you know a breadboard from a breadbox but want to take your hobby electronics skills to the next level this is the only reference you need **Electronics All in One For Dummies** has done the legwork for you offering everything you need to enhance your experience as an electronics enthusiast in one convenient place Written by electronics guru and veteran For Dummies author Doug Lowe this down-to-earth guide makes it easy to grasp such important topics as circuits schematics voltage and safety concerns Plus it helps you have tons of fun getting your hands dirty working with the Raspberry Pi creating special effects making your own entertainment electronics repairing existing electronics learning to solder safely and so much more Create your own schematics and breadboards Become a circuit building expert Tackle analog digital and car electronics Debunk and grasp confusing electronics concepts If you're obsessed with all things electronics look no further This comprehensive guide is packed with all the electronics goodies you need to add that extra spark to your game

Basic Operational Amplifiers and Linear Integrated Circuits Thomas L. Floyd, David M. Buchla, 1999 This book offers comprehensive coverage of a wide relevant array of operational amplifier topics **KEY TOPICS** The book integrates theory practical circuits and troubleshooting concepts keeping mathematical details to a minimum Delving more deeply into coverage of operational amplifiers the book guides readers through a system of pedagogical tools that both reinforces and challenges their understanding An essential reference in

electronic technology **Applied Op Amp Circuits** Farzin Asadi,2023-10-07 This book provides a compact but comprehensive treatment that guides the reader through the important applications of operational amplifiers The author uses his extensive classroom experience to guide readers toward a deeper understanding of key concepts of operational amplifier circuits The NI Multisim™ is used throughout the book to analyze and design the circuits The book is designed to serve as a textbook for courses offered to undergraduate and postgraduate students enrolled in electrical and computer engineering The prerequisite for this book is a first course in electric circuits Electronic Circuit Design Ideas Lakshmi Narayana R Vemireddy,2013-10-22 Electronic Circuit Design Ideas covers a wide variety of electronic circuit design which consists of a circuit diagram waveforms and an explanation of how the circuit works This text contains 14 chapters and starts with a review of the principles of digital circuits and interface circuits frequently used in circuit design The next chapters describe the commonly used timer op amp and amplifier circuits Other chapters present some examples of waveform generators and oscillators used in circuit design This work also looks into other classifications of circuits including phase locked loop power supply and voltage regulator circuits The final chapters are devoted to the methods of controlling DC servomotors and stepper motors These chapters also examine other design ideas specifically the use of slotted optical sensor based revolution detector photodiode and magnetic transducer detector and FSK circuit This book will prove useful to electrical engineers electronics professionals hobbyists and students **Electronics For Kids For Dummies** Cathleen Shamieh,2016-03-28 The easy way for kids to get started with electronics If your youngster likes to tinker Electronics For Kids For Dummies is here to teach them the core concepts of electronics in a fun and engaging way Written in a language elementary to middle school aged kids can understand it s packed with full color photos easy to follow instructions simple examples and 13 cool projects that will boost your child s confidence while instilling valuable electronics lessons Written by an experienced engineer who authored Electronics For Dummies this friendly guide shows children the right way to learn about this exciting but potentially dangerous field From making their very own LED flashlight and basic radio to building a smart nightlight and making an LED blink Electronics For Kids For Dummies walks young readers through 13 projects that are easy to accomplish and most importantly fun Plus the full color design is heavy on eye catching graphics and the format is focused on the steps to completing a project making it approachable for any youngster with an interest in exploring the electrifying world of electronics Introduces kids to the basics of electronics Includes 13 projects that promote your kid s sense of achievement Features larger print to make the material less intimidating and easier to navigate Covers tools and safety measures to ensure your child s safety Spark your child s interest in the shockingly exciting field of electronics with Electronics For Kids For Dummies **Electronics All-in-One For Dummies - UK** Dickon Ross,Doug Lowe,2014-08-25 Your one stop UK shop for clear concise explanations to all the important concepts in electronics and tons of direction for building simple fun electronic projects The 8 mini books in this 1 volume include Getting Started with Electronics Working

with Basic Components Working with Integrated Circuits Getting into Alternating Current Working with Radio and Infrared Doing Digital Electronics Working with Basic Stamp Processors Building Special Effects With nearly 900 pages of instruction Electronics All in One For Dummies UK Edition covers all the bases and provides a fascinating hands on exploration of electronics Design & Make It! Dave Mawson,2001 This volume was written by a team to classroom teachers and examiners to support pupils as they work through their GCSE course in design and technology It is intended to guide them through the important stages of their coursework and to prepare for the final examination paper It contains a mixture of extended projects focused tasks and activities which together with the key points and sample examination questions support the AQA syllabus The Channel 4 television programme associated with this series provides an introduction to the whole course and there is a range of specific opportunities to view and integrate the content throughout the extended projects

The 555 Timer Darcel Darnick,2021-03-03 The 555 Timer Book is a book for all electronics hobbyists it contains simple and advanced projects based on 555 timer ic This book is very helpful for learning the basics of 555 timer ic employing creating simple and advanced projects You will learn how to Use a breadboard Utilize the 555 s pins Trigger one shot mode Blink an LED Generate noises with an oscillator Create a frequency divider Make a bistable flip flop Source and sink current Build and understand the Atari Punk Console MONITORING AND CONTROL OF SUBSTATION PARAMETERS USING GSM MODULE Mrs.P.Mamta ,

This is likewise one of the factors by obtaining the soft documents of this **How To Use A 555 Timer** by online. You might not require more grow old to spend to go to the ebook establishment as capably as search for them. In some cases, you likewise complete not discover the broadcast How To Use A 555 Timer that you are looking for. It will extremely squander the time.

However below, next you visit this web page, it will be hence enormously simple to get as competently as download guide How To Use A 555 Timer

It will not endure many epoch as we notify before. You can reach it even though achievement something else at house and even in your workplace. appropriately easy! So, are you question? Just exercise just what we manage to pay for under as capably as evaluation **How To Use A 555 Timer** what you similar to to read!

<https://staging.conocer.cide.edu/book/scholarship/default.aspx/folk%20revival%20the%20rediscovery%20of%20a%20national%20music.pdf>

Table of Contents How To Use A 555 Timer

1. Understanding the eBook How To Use A 555 Timer
 - The Rise of Digital Reading How To Use A 555 Timer
 - Advantages of eBooks Over Traditional Books
2. Identifying How To Use A 555 Timer
 - Exploring Different Genres
 - Considering Fiction vs. Non-Fiction
 - Determining Your Reading Goals
3. Choosing the Right eBook Platform
 - Popular eBook Platforms
 - Features to Look for in an How To Use A 555 Timer
 - User-Friendly Interface
4. Exploring eBook Recommendations from How To Use A 555 Timer

- Personalized Recommendations
 - How To Use A 555 Timer User Reviews and Ratings
 - How To Use A 555 Timer and Bestseller Lists
5. Accessing How To Use A 555 Timer Free and Paid eBooks
 - How To Use A 555 Timer Public Domain eBooks
 - How To Use A 555 Timer eBook Subscription Services
 - How To Use A 555 Timer Budget-Friendly Options
 6. Navigating How To Use A 555 Timer eBook Formats
 - ePub, PDF, MOBI, and More
 - How To Use A 555 Timer Compatibility with Devices
 - How To Use A 555 Timer Enhanced eBook Features
 7. Enhancing Your Reading Experience
 - Adjustable Fonts and Text Sizes of How To Use A 555 Timer
 - Highlighting and Note-Taking How To Use A 555 Timer
 - Interactive Elements How To Use A 555 Timer
 8. Staying Engaged with How To Use A 555 Timer
 - Joining Online Reading Communities
 - Participating in Virtual Book Clubs
 - Following Authors and Publishers How To Use A 555 Timer
 9. Balancing eBooks and Physical Books How To Use A 555 Timer
 - Benefits of a Digital Library
 - Creating a Diverse Reading Collection How To Use A 555 Timer
 10. Overcoming Reading Challenges
 - Dealing with Digital Eye Strain
 - Minimizing Distractions
 - Managing Screen Time
 11. Cultivating a Reading Routine How To Use A 555 Timer
 - Setting Reading Goals How To Use A 555 Timer
 - Carving Out Dedicated Reading Time
 12. Sourcing Reliable Information of How To Use A 555 Timer

- Fact-Checking eBook Content of How To Use A 555 Timer
 - Distinguishing Credible Sources
13. Promoting Lifelong Learning
- Utilizing eBooks for Skill Development
 - Exploring Educational eBooks
14. Embracing eBook Trends
- Integration of Multimedia Elements
 - Interactive and Gamified eBooks

How To Use A 555 Timer Introduction

In today's digital age, the availability of How To Use A 555 Timer books and manuals for download has revolutionized the way we access information. Gone are the days of physically flipping through pages and carrying heavy textbooks or manuals. With just a few clicks, we can now access a wealth of knowledge from the comfort of our own homes or on the go. This article will explore the advantages of How To Use A 555 Timer books and manuals for download, along with some popular platforms that offer these resources. One of the significant advantages of How To Use A 555 Timer books and manuals for download is the cost-saving aspect. Traditional books and manuals can be costly, especially if you need to purchase several of them for educational or professional purposes. By accessing How To Use A 555 Timer versions, you eliminate the need to spend money on physical copies. This not only saves you money but also reduces the environmental impact associated with book production and transportation. Furthermore, How To Use A 555 Timer books and manuals for download are incredibly convenient. With just a computer or smartphone and an internet connection, you can access a vast library of resources on any subject imaginable. Whether you're a student looking for textbooks, a professional seeking industry-specific manuals, or someone interested in self-improvement, these digital resources provide an efficient and accessible means of acquiring knowledge. Moreover, PDF books and manuals offer a range of benefits compared to other digital formats. PDF files are designed to retain their formatting regardless of the device used to open them. This ensures that the content appears exactly as intended by the author, with no loss of formatting or missing graphics. Additionally, PDF files can be easily annotated, bookmarked, and searched for specific terms, making them highly practical for studying or referencing. When it comes to accessing How To Use A 555 Timer books and manuals, several platforms offer an extensive collection of resources. One such platform is Project Gutenberg, a nonprofit organization that provides over 60,000 free eBooks. These books are primarily in the public domain, meaning they can be freely distributed and downloaded. Project Gutenberg offers a wide range of classic literature, making it an excellent resource for literature enthusiasts. Another popular platform for How To Use A 555 Timer

books and manuals is Open Library. Open Library is an initiative of the Internet Archive, a non-profit organization dedicated to digitizing cultural artifacts and making them accessible to the public. Open Library hosts millions of books, including both public domain works and contemporary titles. It also allows users to borrow digital copies of certain books for a limited period, similar to a library lending system. Additionally, many universities and educational institutions have their own digital libraries that provide free access to PDF books and manuals. These libraries often offer academic texts, research papers, and technical manuals, making them invaluable resources for students and researchers. Some notable examples include MIT OpenCourseWare, which offers free access to course materials from the Massachusetts Institute of Technology, and the Digital Public Library of America, which provides a vast collection of digitized books and historical documents. In conclusion, How To Use A 555 Timer books and manuals for download have transformed the way we access information. They provide a cost-effective and convenient means of acquiring knowledge, offering the ability to access a vast library of resources at our fingertips. With platforms like Project Gutenberg, Open Library, and various digital libraries offered by educational institutions, we have access to an ever-expanding collection of books and manuals. Whether for educational, professional, or personal purposes, these digital resources serve as valuable tools for continuous learning and self-improvement. So why not take advantage of the vast world of How To Use A 555 Timer books and manuals for download and embark on your journey of knowledge?

FAQs About How To Use A 555 Timer Books

How do I know which eBook platform is the best for me? Finding the best eBook platform depends on your reading preferences and device compatibility. Research different platforms, read user reviews, and explore their features before making a choice. Are free eBooks of good quality? Yes, many reputable platforms offer high-quality free eBooks, including classics and public domain works. However, make sure to verify the source to ensure the eBook credibility. Can I read eBooks without an eReader? Absolutely! Most eBook platforms offer web-based readers or mobile apps that allow you to read eBooks on your computer, tablet, or smartphone. How do I avoid digital eye strain while reading eBooks? To prevent digital eye strain, take regular breaks, adjust the font size and background color, and ensure proper lighting while reading eBooks. What the advantage of interactive eBooks? Interactive eBooks incorporate multimedia elements, quizzes, and activities, enhancing the reader engagement and providing a more immersive learning experience. How To Use A 555 Timer is one of the best book in our library for free trial. We provide copy of How To Use A 555 Timer in digital format, so the resources that you find are reliable. There are also many Ebooks of related with How To Use A 555 Timer. Where to download How To Use A 555 Timer online for free? Are you looking for How To Use A 555 Timer PDF? This is definitely going to save you time and

cash in something you should think about.

Find How To Use A 555 Timer :

folk revival. the rediscovery of a national music.

[flying hockey stick](#)

[fodors pocket guide to acapulco](#)

fobaproa expediente abierto resena y archivo

[fodors soviet union 1991](#)

focus on pronunciation 3 high-intermediate - advanced

[flying hawaii a pilots guide to the islands](#)

folio medical directory ohio 2003 folio medical directory of ohio 2003

[focus an esl grammar](#)

~~folk art of idaho we came to where we were supposed to be~~

flying boot stages 8 teachers 4 flying boot

fluid meters their theory applicat 6ed

flute time 1 piano accompaniment

fodors holland 1985

[folk songs for treble recorder only](#)

How To Use A 555 Timer :

the best option trading strategies for 2023 guide examples - May 01 2022

web dec 6 2021 the strategy enhances portfolio performance if the stock stays between the strikes the trader needs to be prepared to sell the underlying if exercised on upside and must be prepared to buy more underlying if exercised on downside since the trader sells premium the strategy is best done if volatility levels are high

[best options trading strategies win almost every trade](#) - Dec 28 2021

web sep 3 2023 this article discusses the best options trading strategies for traders to make consistent profits plus i discuss how to ensure that almost every trade is a winner many people buy calls and puts that s gambling not investing although there are times when it s worthwhile to buy options

options trading strategies tokenist - Aug 04 2022

web jan 16 2023 a call option contract at 100 strike is available for 2 expiring in six months abc eventually expires at 110 leaving the investor with a profit of 8 110 100 2 a contract is worth 100 shares so the net profit is 800 or

options trading for beginners step by step youtube - Jan 29 2022

web aug 6 2021 2 28m subscribers 1 2m views 2 years ago learn how to trade options with this step by step guide for beginners pandrea finance pandreafinance get up to a 250 in digital currency

how to develop an effective trading strategy investopedia - Jul 03 2022

web aug 25 2022 an effective trading strategy should take into account your risk tolerance and long term financial goals options futures and other derivatives can each play an important role in building

pick the right options to trade in six steps investopedia - Feb 10 2023

web may 13 2022 1 option objective the starting point when making any investment is your investment objective and options trading is no different what objective do you want to achieve with your option

options trading beginners advanced strategies explained - Jun 02 2022

web options trading strategies for beginners 1 short put in a short put the options trader expects the underlying stock s price to go below the strike price on the expiration date and if it does the option holder purchases that stock it is a strategy that facilitates the trader to get a stock at a lower price 2 long call

learn to trade options 5 steps for choosing the right option - Nov 07 2022

web dec 26 2020 because there are a wide range of choices available when trading options we have compiled this step by step guide to helping you choose the right options to trade

the 3 best options trading strategies most profitable safest - Oct 06 2022

web aug 19 2023 1 selling covered calls the best options trading strategy overall the what selling a covered call obligates you to sell 100 shares of the stock at the designated stripe price on or before the expiration date for taking on this obligation you will be paid a

options trading for beginners investopedia - Mar 11 2023

web apr 5 2023 katrina munichiello options are a form of derivative contract that gives buyers of the contracts the option holders the right but not the obligation to buy or sell a security at a chosen

17 best option trading strategies you should know forbes - Apr 12 2023

web option trading strategies you must know bullish options strategies bullish options strategies are employed when investors have a positive outlook on the market or a specific asset and

best options trading strategies in 2023 benzinga - Dec 08 2022

web may 4 2022 options trading strategies differ from how one trades stock read learn and make your best investments

with benzinga s in depth analysis

how to trade options the ultimate step by step guide - Mar 31 2022

web jan 15 2022 successful day trading options strategies best stock trading platform in us revealed how to earn money from home online option trading strategies week of nov 1 how to make money trading options nov 8 how to trade options for 100 gain options trading tutorial nov 15 2019 more strategies binary option trading

10 options strategies every investor should know - Aug 16 2023

web mar 15 2023 options trading might sound complex but there are basic strategies that most investors can use to enhance returns bet on the market s movement or hedge existing positions covered calls

learn to trade options a quick beginner s guide nasdaq - Sep 05 2022

web dec 6 2020 learn to trade options a quick beginner s guide december 06 2020 12 21 pm est written by kschaeffe sir inc com for schaeffer in the ever complex world of the stock market a beginner

options trading step by step guide for beginners nerdwallet - Jul 15 2023

web mar 29 2023 options trading is when you buy or sell an underlying asset at a pre negotiated price by a certain future date trading stock options can be complex even more so than stock trading

best options trading strategy options for beginners - Feb 27 2022

web may 31 2017 this simple yet profitable options trading tutorial will teach you how to trade stock options learn how to buy put and call options follow the step by step guide

options trading strategies for beginners nerdwallet - Jan 09 2023

web may 17 2022 you can use options to profit from sudden stock movements to hedge against risk or both here are five options trading strategies for your portfolio

how to trade options a step by step guide the motley fool - Jun 14 2023

web aug 16 2023 learn the basics on how to trade options from options lingo to long term options trading this guide will help you decide if options trading is for you

stock options trading strategies the best step by step guide - May 13 2023

web stock options trading strategies the best step by step guide to learn how to trade stocks and discover how top traders invest the best strategies to help you create your financial freedom 4 livermore jim amazon com tr kitap

if only they could talk a veterinarian s hilarious adventures - Feb 12 2022

web may 16 2020 in if only they could talk the first book in a series of his semi autobiographies the reader gets acquainted with a young james herriot just out of veterinary college taking up a rural practice in the town of

if only grammar cambridge dictionary - Oct 23 2022

web if only english grammar today a reference to written and spoken english grammar and usage cambridge dictionary
[if only they could talk ngl life](#) - Sep 02 2023

web a message from life co author helen stephenson remote and distant places have always been fascinating to me since i was a child of course what s remote to me in the uk isn t necessarily remote to other people but easter island in the south pacific is a place that fits any definition of the word

if only they could talk the classic memoir of a 1930s vet - Nov 23 2022

web heartbreaking and hilarious in equal measure if only they could talk is a book for all those who find laughter and joy in animals and who know and understand the magic and beauty of britain s wild places james herriot s books were televised in the enormously popular series all creatures great and small

all creatures great and small franchise wikipedia - Jun 30 2023

web if only they could talk 1970 isbn 0 330 23783 7 it shouldn t happen to a vet 1972 isbn 0 330 23782 9 let sleeping vets lie 1973 isbn 978 0 7181 1115 1 vet in harness 1974 isbn 0 330 24663 1 vets might fly 1976 isbn 0 330 25221 6 vet in a spin 1977 isbn 0 330 25532 0 the lord god made them all 1981 isbn 0 7181 2026 4

if only they could talk the classic memoir of a 1930s vet - Jan 26 2023

web if only they could talk the classic memoir of a 1930s vet paperback unabridged 4 jun 2010 by james herriot author 4 6 1 538 ratings

if only they could talk read online free without download readanybook - May 18 2022

web if only they could talk read free ebook by james herriot in online reader directly on the web page select files or add your book in reader

if only they could talk by james herriot waterstones - Apr 16 2022

web jan 26 2017 heart breaking and hilarious in equal measure if only they could talk is the first volume of classic memoirs which chronicle james herriot s first years as country vet in the 1930 s this beautiful macmillan collector s library edition of if only they could talk features an afterword by yorkshire shepherdess and author amanda owen

[download if only they could talk by herriot james](#) - Jun 18 2022

web download if only they could talk pdf description from the author whose books inspired the bbc series all creatures great and small this first volume of unforgettable memoirs chronicles james herriot s first years as a country vet with the signature storytelling magic that has made him a favourite the world over page 4 of cover

if only they could talk by james herriot pan macmillan - Mar 28 2023

web jun 4 2010 if only they could talk james herriot synopsis i grew up reading james herriot s book and i m delighted that thirty years on they are still every bit as charming heartwarming and laugh out loud funny as they were then kate humble

if only they could talk the classic memoir of a 1930s vet - Mar 16 2022

web jun 28 2012 heartbreaking and hilarious in equal measure if only they could talk is a book for all those who find laughter and joy in animals and who know and understand the magic and beauty of britain s wild places james herriot s books were televised in the enormously popular series all creatures great and small

if only they could talk a level history marked by teachers com - Jul 20 2022

web if only they could talk the book consist on 208 pages and it is divided in 31 chapters each chapter contains interesting stories about the important job of a vet some of them are very funny some others are disgusting and some others are very sad here is a short description of each chapter james herriot realizes that the veterinarian job

if they could only talk national geographic - Feb 24 2023

web if they could only talk the statues walked easter islanders say archaeologists are still trying to figure out how and whether their story is a cautionary tale of environmental disaster

if only it could talk song and lyrics by gary willis spotify - Dec 25 2022

web listen to if only it could talk on spotify gary willis song 2007 gary willis song 2007 listen to if only it could talk on spotify gary willis song 2007 home search your library create your first playlist it s easy we ll help you create playlist

if only they could talk macmillan collector s library herriot - Sep 21 2022

web if only they could talk macmillan collector s library herriot james amazon com tr kitap Çerez tercihlerinizi seçin Çerez bildirimimizde ayrıntılı şekilde açıklandığı üzere alışveriş yapmanızı sağlamak alışveriş deneyiminizi iyileştirmek ve hizmetlerimizi sunmak için gerekli olan çerezleri ve benzer araçları

if only they could talk by james herriot goodreads - Oct 03 2023

web jan 1 2001 if only they could talk by james herriot goodreads jump to ratings and reviews want to read buy on amazon rate this book all creatures great and small 1 if only they could talk james herriot 4 33 7 237 ratings412 reviews librarian note an alternative cover for this isbn can be found here

if only they could talk amazon com - Apr 28 2023

web jan 1 2006 amazon sold by smilesstore returns eligible for return refund or replacement within 30 days of receipt this item can be returned in its original condition for a full refund or replacement within 30 days of receipt read full return policy add a gift receipt for easy returns

if only they could talk amazon com - May 30 2023

web jan 1 2010 if only they could talk paperback january 1 2010 fresh out of veterinary college and shoulder deep in an uncooperative cow james herriot s first job is not panning out exactly as expected to a glaswegian like james 1930 s yorkshire appears to offer an idyllic pocket of rural life in a rapidly changing world

if only they could talk herriot james archive org - Aug 01 2023

web if only they could talk by herriot james publication date 1970 topics herriot james veterinarians england yorkshire biography veterinary medicine veterinarians england yorkshire publisher london joseph collection inlibrary printdisabled internetarchivebooks contributor internet archive language

editions of if only they could talk by james herriot goodreads - Aug 21 2022

web if only they could talk the classic memoir of a 1930s vet kindle edition published november 12th 1982 by macmillan main market kindle edition 208 pages more details want to read rate this book 1 of 5 stars 2 of 5 stars 3 of 5 stars 4 of 5 stars 5 of 5 stars

men 2019 lesezeichenkalender 5 5 x 16 5 manner er pdf - May 31 2022

web may 19 2023 men 2019 lesezeichenkalender 5 5 x 16 5 manner er pdf if you ally habit such a referred men 2019 lesezeichenkalender 5 5 x 16 5 manner er pdf books that

men 2019 lesezeichenkalender 5 5 x 16 5 manner er alice - May 11 2023

web getting the books men 2019 lesezeichenkalender 5 5 x 16 5 manner er now is not type of inspiring means you could not only going later ebook hoard or library or borrowing from

typo 2020 lesezeichenkalender 5 5 x 16 5 spruchek copy - Dec 26 2021

web webmen 2020 lesezeichenkalender 5 5 x 16 5 manner er pdf is available in our book collection an online access to it is set as public so you can 2020 naked sword 2019

men 2019 lesezeichenkalender 9783840796340 - Feb 08 2023

web men 2019 lesezeichenkalender on amazon com au free shipping on eligible orders men 2019 lesezeichenkalender men 2020 lesezeichenkalender 5 5 x 16 5 manner er pdf - Feb 25 2022

web men 2020 lesezeichenkalender 5 5 x 16 5 manner er holy bible dec 07 2020 a 14 point giant print softcover niv bible with the reference help you want an end of paragraph

men 2019 lesezeichenkalender 5 5 x 16 5 männer - Jul 01 2022

web june 3rd 2020 men 2020 men 2020 lesezeichenkalender 5 5 x 16 5 männer erotikkalender gadget lesehilfe geschenkidee 27 12 2019 keine kommentare free

men 2023 lesezeichenkalender 5 5x16 5 cm amazon de - Mar 09 2023

web men 2023 lesezeichenkalender 5 5x16 5 cm männer erotikkalender lesehilfe alpha edition alpha edition isbn 4251732332822 kostenloser versand für alle bücher

men 2019 lesezeichenkalender 5 5 x 16 5 manner er pdf paul - Aug 02 2022

web jun 28 2023 men 2019 lesezeichenkalender 5 5 x 16 5 manner er pdf right here we have countless ebook men 2019

lesezeichenkalender 5 5 x 16 5 manner er pdf and

[typo 2019 lesezeichenkalender 5 5 x 16 5 amazon de](#) - Dec 06 2022

web typo 2019 lesezeichenkalender 5 5 x 16 5 sprüchekalender gadget lesehilfe alpha edition amazon de books

men 2019 lesezeichenkalender 5 5 x 16 5 männer - Apr 29 2022

web jun 28 2023 ways to acquire this ebook men 2019 lesezeichenkalender 5 5 x 16 5 männer erotikkalender gadget

lesehilfe by alpha edition is in addition valuable men

[download solutions men 2019 lesezeichenkalender 5 5 x 16 5](#) - Jan 07 2023

web the men 2019 lesezeichenkalender 5 5 x 16 5 manner er pdf associate that we manage to pay for here and check out the link you could buy lead men 2019

download file men 2020 lesezeichenkalender 5 5 x 16 5 - Jan 27 2022

web ebook men 2020 lesezeichenkalender 5 5 x 16 5 manner er is additionally useful you have remained in right site to begin getting this info acquire the men 2020

[men 2019 lesezeichenkalender 5 5 x 16 5 manner er free pdf](#) - Oct 04 2022

web read men 2019 lesezeichenkalender 5 5 x 16 5 manner er pdf book is the book you are looking for by download pdf men

bouwt men wat men moet weten voor men

[men 2019 lesezeichenkalender amazon co uk books](#) - Aug 14 2023

web buy men 2019 lesezeichenkalender by isbn 9783840796340 from amazon s book store everyday low prices and free delivery on eligible orders

[zen 2019 lesezeichenkalender 5 5 x 16 5 amazon de](#) - Nov 05 2022

web zen 2019 lesezeichenkalender 5 5 x 16 5 gadget lesehilfe alpha edition amazon de books

men lesezeichen kalender 2016 heye amazon de bücher - Oct 24 2021

web men lesezeichen kalender 2016 heye amazon de bücher zum hauptinhalt wechseln de hallo lieferadresse wählen bücher wähle die kategorie aus in der du

[men İngilizce okunuş cambridge dictionary](#) - Nov 24 2021

web men in okunuşu men nasıl söylenir İngilizce sesli okunuşu dinleyin daha fazlasını öğren

men 2019 lesezeichenkalender 5 5 x 16 5 männer - Sep 03 2022

web along with manuals you could enjoy now is men 2019 lesezeichenkalender 5 5 x 16 5 männer erotikkalender gadget

lesehilfe by alpha edition below perhaps you have

men 2019 lesezeichenkalender 5 5 x 16 5 amazon de - Jun 12 2023

web men 2019 lesezeichenkalender 5 5 x 16 5 männer erotikkalender gadget lesehilfe alpha edition amazon de books

eulen 2019 lesezeichenkalender 5 5 x 16 5 owls gadget - Mar 29 2022

web eulen 2019 lesezeichenkalender 5 5 x 16 5 owls gadget lesehilfe eulen chouettes gufi alpha edition amazon de books

men 2021 lesezeichenkalender 5 5x16 5 cm amazon com tr - Apr 10 2023

web men 2021 lesezeichenkalender 5 5x16 5 cm männer erotikkalender lesehilfe alpha edition alpha edition amazon com tr

men 2019 lesezeichenkalender 5 5 x 16 5 manner er pdf 2023 - Jul 13 2023

web men 2019 lesezeichenkalender 5 5 x 16 5 manner er pdf introduction men 2019 lesezeichenkalender 5 5 x 16 5 manner er pdf 2023 wild at heart patricia gaffney