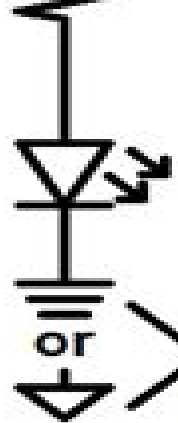
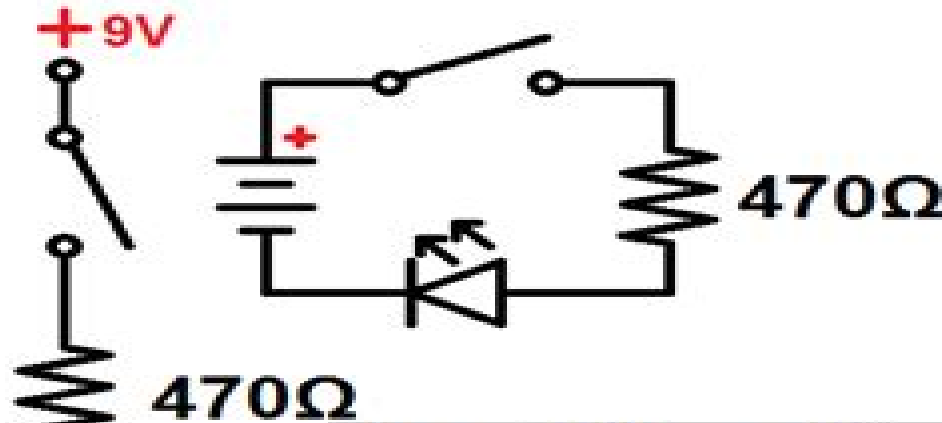


Schematic symbols and diagrams for simple circuits

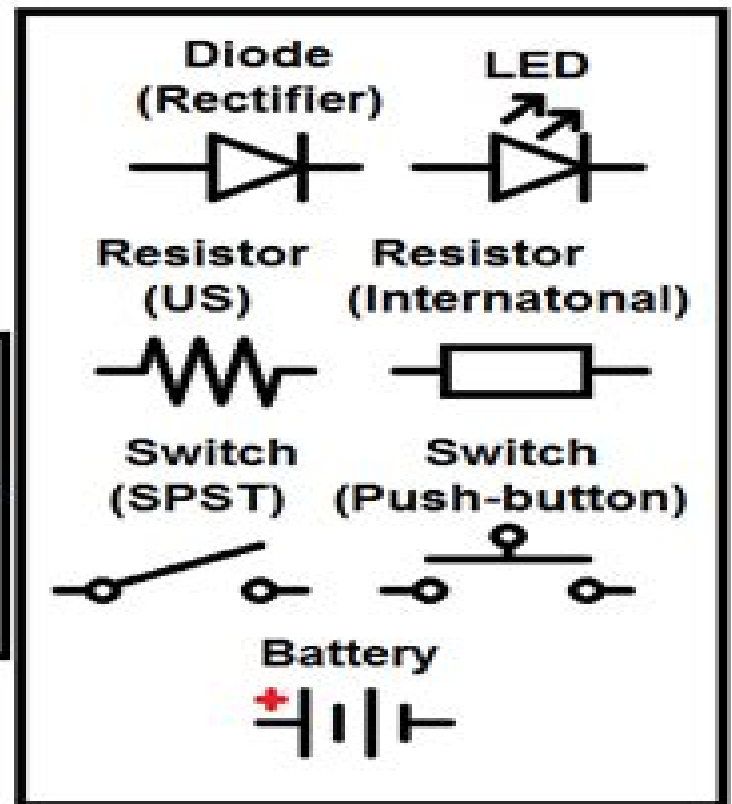
Electronzap.com | Electronzap (Pinterest) | Electronzapdotcom (Youtube)

Schematics are a guide to component connections in a circuit for educational purposes. Building these circuit (on a breadboard at first) will help you put the basic electronics theory you learn to practical use, and also help you better remember the theory.



Ground symbols
(Return path to
negative terminal)
Not to be confused
with high voltage
ground.

Here are 3 of the ways that schematics are drawn out. Practice making circuits from schematics that you come across. Start with simple ones where you recognize all the components and build more advanced ones as you learn more.



Electronzap.com | Electronzap (Pinterest) | Electronzapdotcom (Youtube)

How To Understand Schematics

Xiaolong Qi



How To Understand Schematics:

Unveiling the Magic of Words: A Overview of "**How To Understand Schematics**"

In a global defined by information and interconnectivity, the enchanting power of words has acquired unparalleled significance. Their power to kindle emotions, provoke contemplation, and ignite transformative change is actually awe-inspiring. Enter the realm of "**How To Understand Schematics**," a mesmerizing literary masterpiece penned by a distinguished author, guiding readers on a profound journey to unravel the secrets and potential hidden within every word. In this critique, we shall delve in to the book is central themes, examine its distinctive writing style, and assess its profound effect on the souls of its readers.

<https://staging.conocer.cide.edu/files/virtual-library/Documents/I%20Am%20Tecumseh%20.pdf>

Table of Contents How To Understand Schematics

1. Understanding the eBook How To Understand Schematics
 - The Rise of Digital Reading How To Understand Schematics
 - Advantages of eBooks Over Traditional Books
2. Identifying How To Understand Schematics
 - Exploring Different Genres
 - Considering Fiction vs. Non-Fiction
 - Determining Your Reading Goals
3. Choosing the Right eBook Platform
 - Popular eBook Platforms
 - Features to Look for in an How To Understand Schematics
 - User-Friendly Interface
4. Exploring eBook Recommendations from How To Understand Schematics
 - Personalized Recommendations
 - How To Understand Schematics User Reviews and Ratings
 - How To Understand Schematics and Bestseller Lists

5. Accessing How To Understand Schematics Free and Paid eBooks
 - How To Understand Schematics Public Domain eBooks
 - How To Understand Schematics eBook Subscription Services
 - How To Understand Schematics Budget-Friendly Options
6. Navigating How To Understand Schematics eBook Formats
 - ePub, PDF, MOBI, and More
 - How To Understand Schematics Compatibility with Devices
 - How To Understand Schematics Enhanced eBook Features
7. Enhancing Your Reading Experience
 - Adjustable Fonts and Text Sizes of How To Understand Schematics
 - Highlighting and Note-Taking How To Understand Schematics
 - Interactive Elements How To Understand Schematics
8. Staying Engaged with How To Understand Schematics
 - Joining Online Reading Communities
 - Participating in Virtual Book Clubs
 - Following Authors and Publishers How To Understand Schematics
9. Balancing eBooks and Physical Books How To Understand Schematics
 - Benefits of a Digital Library
 - Creating a Diverse Reading Collection How To Understand Schematics
10. Overcoming Reading Challenges
 - Dealing with Digital Eye Strain
 - Minimizing Distractions
 - Managing Screen Time
11. Cultivating a Reading Routine How To Understand Schematics
 - Setting Reading Goals How To Understand Schematics
 - Carving Out Dedicated Reading Time
12. Sourcing Reliable Information of How To Understand Schematics
 - Fact-Checking eBook Content of How To Understand Schematics
 - Distinguishing Credible Sources
13. Promoting Lifelong Learning

- Utilizing eBooks for Skill Development
 - Exploring Educational eBooks
14. Embracing eBook Trends
- Integration of Multimedia Elements
 - Interactive and Gamified eBooks

How To Understand Schematics Introduction

In this digital age, the convenience of accessing information at our fingertips has become a necessity. Whether its research papers, eBooks, or user manuals, PDF files have become the preferred format for sharing and reading documents. However, the cost associated with purchasing PDF files can sometimes be a barrier for many individuals and organizations. Thankfully, there are numerous websites and platforms that allow users to download free PDF files legally. In this article, we will explore some of the best platforms to download free PDFs. One of the most popular platforms to download free PDF files is Project Gutenberg. This online library offers over 60,000 free eBooks that are in the public domain. From classic literature to historical documents, Project Gutenberg provides a wide range of PDF files that can be downloaded and enjoyed on various devices. The website is user-friendly and allows users to search for specific titles or browse through different categories. Another reliable platform for downloading How To Understand Schematics free PDF files is Open Library. With its vast collection of over 1 million eBooks, Open Library has something for every reader. The website offers a seamless experience by providing options to borrow or download PDF files. Users simply need to create a free account to access this treasure trove of knowledge. Open Library also allows users to contribute by uploading and sharing their own PDF files, making it a collaborative platform for book enthusiasts. For those interested in academic resources, there are websites dedicated to providing free PDFs of research papers and scientific articles. One such website is Academia.edu, which allows researchers and scholars to share their work with a global audience. Users can download PDF files of research papers, theses, and dissertations covering a wide range of subjects. Academia.edu also provides a platform for discussions and networking within the academic community. When it comes to downloading How To Understand Schematics free PDF files of magazines, brochures, and catalogs, Issuu is a popular choice. This digital publishing platform hosts a vast collection of publications from around the world. Users can search for specific titles or explore various categories and genres. Issuu offers a seamless reading experience with its user-friendly interface and allows users to download PDF files for offline reading. Apart from dedicated platforms, search engines also play a crucial role in finding free PDF files. Google, for instance, has an advanced search feature that allows users to filter results by file type. By specifying the file type as "PDF," users can find websites that offer free PDF downloads on a specific topic. While downloading How To Understand Schematics free PDF files is convenient,

its important to note that copyright laws must be respected. Always ensure that the PDF files you download are legally available for free. Many authors and publishers voluntarily provide free PDF versions of their work, but its essential to be cautious and verify the authenticity of the source before downloading How To Understand Schematics. In conclusion, the internet offers numerous platforms and websites that allow users to download free PDF files legally. Whether its classic literature, research papers, or magazines, there is something for everyone. The platforms mentioned in this article, such as Project Gutenberg, Open Library, Academia.edu, and Issuu, provide access to a vast collection of PDF files. However, users should always be cautious and verify the legality of the source before downloading How To Understand Schematics any PDF files. With these platforms, the world of PDF downloads is just a click away.

FAQs About How To Understand Schematics Books

What is a How To Understand Schematics PDF? A PDF (Portable Document Format) is a file format developed by Adobe that preserves the layout and formatting of a document, regardless of the software, hardware, or operating system used to view or print it. **How do I create a How To Understand Schematics PDF?** There are several ways to create a PDF: Use software like Adobe Acrobat, Microsoft Word, or Google Docs, which often have built-in PDF creation tools. Print to PDF: Many applications and operating systems have a "Print to PDF" option that allows you to save a document as a PDF file instead of printing it on paper. Online converters: There are various online tools that can convert different file types to PDF. **How do I edit a How To Understand Schematics PDF?** Editing a PDF can be done with software like Adobe Acrobat, which allows direct editing of text, images, and other elements within the PDF. Some free tools, like PDFescape or Smallpdf, also offer basic editing capabilities. **How do I convert a How To Understand Schematics PDF to another file format?** There are multiple ways to convert a PDF to another format: Use online converters like Smallpdf, Zamzar, or Adobe Acrobats export feature to convert PDFs to formats like Word, Excel, JPEG, etc. Software like Adobe Acrobat, Microsoft Word, or other PDF editors may have options to export or save PDFs in different formats. **How do I password-protect a How To Understand Schematics PDF?** Most PDF editing software allows you to add password protection. In Adobe Acrobat, for instance, you can go to "File" -> "Properties" -> "Security" to set a password to restrict access or editing capabilities. Are there any free alternatives to Adobe Acrobat for working with PDFs? Yes, there are many free alternatives for working with PDFs, such as: LibreOffice: Offers PDF editing features. PDFsam: Allows splitting, merging, and editing PDFs. Foxit Reader: Provides basic PDF viewing and editing capabilities. How do I compress a PDF file? You can use online tools like Smallpdf, ILovePDF, or desktop software like Adobe Acrobat to compress PDF files without significant quality loss. Compression reduces the file size, making it easier to share and download. Can I fill out forms in a PDF file? Yes, most PDF viewers/editors

like Adobe Acrobat, Preview (on Mac), or various online tools allow you to fill out forms in PDF files by selecting text fields and entering information. Are there any restrictions when working with PDFs? Some PDFs might have restrictions set by their creator, such as password protection, editing restrictions, or print restrictions. Breaking these restrictions might require specific software or tools, which may or may not be legal depending on the circumstances and local laws.

Find How To Understand Schematics :

[i am tecumseh 2](#)

[hunters heart the hunters 2](#)

[i am king a photographic biography of muhammad ali](#)

hypatia dodo preb

hunters stew and hangtown fry what pioneer america ate and why

[i am polite heinemann read and learn](#)

[hydrodynamic limits and related topics](#)

i am here

[i am a barbarian 1st edition](#)

hunting on kunderer; life with lancelet

i am the great i am

[huxfords fine art value guide volume 3](#)

i am the babe of joseph stalins daughter poems 1961-1971.

hunting the great plains

i & ii chronicles a commentary

How To Understand Schematics :

behold the prince of darkness a complete introduc pdf - Apr 10 2023

web aug 9 2023 behold the prince of darkness a complete introduc 1 5 downloaded from uniport edu ng on august 9 2023
by guest behold the prince of darkness a

behold the prince of darkness a complete introduc harvard - Aug 14 2023

web roark lyne is his worst enemy and his only hope the only human student at mather s school of magick phineas smith has a target on his back born with the rare ability to

behold the prince of darkness a complete introduc 2022 - May 31 2022

web 2 behold the prince of darkness a complete introduc 2021 04 21 testament of jesus christ the doctrine and covenants the pearl of great price doctrine lectures of faith

behold the prince of darkness a complete introduc pdf - Nov 05 2022

web jul 26 2023 behold the prince of darkness a complete introduc 3 9 downloaded from uniport edu ng on july 26 2023 by guest lectures on theology john dick 1878 behold

behold the prince of darkness a complete introduc - Oct 04 2022

web behold ryan scott 2019 02 04 behold the prince of darkness is a text discussing the religion of setianism based on the ancient egyptian god set setianism has grown

behold the prince of darkness a complete introduc pdf - Feb 08 2023

web jul 27 2023 behold the prince of darkness a complete introduc 1 6 downloaded from uniport edu ng on july 27 2023 by guest behold the prince of darkness a complete

behold the prince of darkness a complete introduc pdf - Nov 24 2021

web jun 6 2023 our books taking into account this one merely said the behold the prince of darkness a complete introduc is universally compatible gone any devices to read the

behold the prince of darkness a complete introduc download - Jan 07 2023

web recognizing the habit ways to get this books behold the prince of darkness a complete introduc is additionally useful you have remained in right site to start getting this info

behold the prince of darkness a complete introduc pdf - Mar 09 2023

web the little book open the testimony of br prince concerning what jesus christ has done by his spirit to redeem the earth in voices from heaven voice the second behold the

prince of darkness 1987 explained in hindi youtube - Mar 29 2022

web princeofdarkness explainedinhindireal insta id instagram com khushii bee summary a sinister secret has been kept in the

behold the prince of darkness a complete introduc 2022 app - Jun 12 2023

web behold the prince of darkness a complete introduc 5 5 without evil in his third book behold the darkness dark prince devlin westbrook has once again championed the

behold the prince of darkness a complete introduc copy - Sep 22 2021

web jul 30 2023 behold the prince of darkness a complete introduc 3 9 downloaded from uniport edu ng on july 30 2023 by guest most implacable enemies of the era including

behold a marvel in the darkness song and lyrics by deerhoof - Feb 25 2022

web listen to behold a marvel in the darkness on spotify deerhoof song 2011

behold the prince of darkness a complete introduc john - Dec 06 2022

web behold the prince of darkness a complete introduc recognizing the mannerism ways to get this ebook behold the prince of darkness a complete introduc is additionally

behold the prince of darkness a complete introduc pdf beta - Jul 01 2022

web could enjoy now is behold the prince of darkness a complete introduc below behold the prince of darkness a complete introduc downloaded from

behold the prince of darkness a complete introduc book - Jul 13 2023

web show me your darkness and i ll show you mine the stars are fading the shadows are calling the darkness threatens

ebook behold the prince of darkness a complete introduc - May 11 2023

web the prince of the skies oct 20 2022 a gripping narrative of friendship and exploration and an homage to antoine de saint exupéry an unforgettable writer who touched the lives of

behold the prince of darkness a complete introduc full pdf - Aug 02 2022

web the prince of the house of david or three years in the holy city prince ragnal the ante nicene fathers the main lds books the prince of darkness the new testament of our lord and saviour jesus christ behold the prince of darkness a complete introduc downloaded from customizer monos com by guest decker blanchard triumph the

behold a marvel in the darkness song and lyrics by deerhoof - Jan 27 2022

web listen to behold a marvel in the darkness on spotify deerhoof song 2011 deerhoof song 2011 listen to behold a marvel in the darkness on spotify deerhoof song

karanlıklar prensi prince of darkness 1987 turkcealtyazi org - Apr 29 2022

web john carpenter s prince of darkness 98 kişi izledi 26 kişi izleyecek 11 kişinin favorisi 1 takip oyuncular donald pleasence jameson parker victor wong lisa blount dennis dun

behold the prince of darkness a complete introduc copy - Oct 24 2021

web jun 15 2023 behold ryan scott 2019 02 04 behold the prince of darkness is a text discussing the religion of setianism based on the ancient egyptian god set setianism

behold the prince of darkness a complete introduction to - Sep 03 2022

web jun 4 2023 this behold the prince of darkness a complete introduction to setian religion english edition by ryan scott as one of the greater part running sellers here

heart of darkness joseph conrad summary - Dec 26 2021

web jun 15 2020 heart of darkness 1899 is a novella by polish english novelist joseph conrad about a narrated voyage up the congo river into the congo free state in the he

panasonic kx tes824bx service manual pdf download - Jan 05 2023

web automation tech bdsensor glass doorbft parking barrier moovi 30 moovi 60created by inshot inshotapp page link
ytsharecommercial toll collectionloop

panasonic kx tes824 installation manual pdf - Apr 08 2023

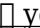
web panasonic kx tes824 manuals manuals and user guides for panasonic kx tes824 we have 7 panasonic kx tes824 manuals available for free pdf download features

user manual panasonic - Jul 11 2023

web if a system password is forgotten it can be found by loading a backup of the system data into a pc and checking the password using the kx te maintenance console software

panasonic kx tes824 manuals manualslib - Nov 03 2022

web page 259 4 1 capacity of system resources category item kx tes824 kx tem824 call log incoming call log 20 entries extrn 300 entries pbx 125 voice messages built in

how to reset password panasonic kx tes824  youtube - Jun 29 2022

web with an intensive focus only on what you need to know to pass the comptia network exam n10 007 this certification passport is your ticket to success on exam

panasonic kx tem824 features manual pdf download - May 29 2022

web problem probable cause solution extension telephone does not function faulty connection between the pbx and telephone plug the telephone into the same

panasonic kx tes824 user manual pdf - Jun 10 2023

web manuals and free owners instruction pdf guides find the user manual and the help you need for the products you own at manualsonline

panasonic kx tem824 kx tes824 3 1 installing kx te - Oct 22 2021

panasonic answering machine kx tes824 reset the system - Feb 06 2023

web the panasonic advanced hybrid system kx tes824 kx tem824 has default settings that can be changed password using the kx te maintenance console software

panasonic kx tem824 kx tes824 3 2 2 starting kx te - Nov 22 2021

reset password panasonic kx tes824 pdf full pdf support ortax - Feb 23 2022

reset panasonic kx tes824 youtube - Jul 31 2022

web webreset password panasonic kx tes824 1 reset password panasonic kx tes824 when somebody should go to the books stores search commencement by shop shelf

panasonic kx tes824bx system password reset youtube - Oct 14 2023

web jun 22 2022 panasonic kx tes824bx system password reset how to reset pbx panasonic pbx

cara reset pabx panasonic kx tes824 hard reset youtube - Mar 27 2022

web into a pc and checking the password using the kx te maintenance console software if you do not have a backup of the system data you must reset the pbx to its factory defaults

panasonic kx tes824 user manual manuals brain - Mar 07 2023

web before touching the system clear switch and reset button put on an earthing strap notes after pressing the reset button make sure to return the system clear switch to the nor

troubleshooting panasonic kx tes824 user manual page 86 - Oct 02 2022

web nov 2 2010 so without defaulting the system i was wondering if there was another way to reset the pin code or gain access to the system without having to undo the existing work

panasonic kx tes824 features manual pdf - May 09 2023

web view and download panasonic kx tes824bx service manual online advanced hybrid system kx tes824bx telephone system pdf manual download also for kx tem824bx

panasonic kx tes824 programming tables helpdesk comms - Sep 01 2022

web bagaimana cara reset program pabx panasonic kx tes824 dengan cara hard reset di mesin pabx cara soft reset pabx panasonic kx tes824 ada dalam video ini cara

kx tes824 panasonic phone system reset pin without - Apr 27 2022

web installation manual 77 3 2 2 starting kx te maintenance console for the first time when you start the kx te maintenance console with the installer level programmer code

panasonic kx tes824 pabx reset password youtube - Sep 13 2023

web dec 18 2021 enjoy the videos and music you love upload original content and share it all with friends family and the world on youtube

panasonic kx tem824 kx tes824 4 1 5 system - Aug 12 2023

web kx tes824 model kx tem824 advanced hybrid system user manual 2 user manual feature highlights 1 5 5 using voice

messaging built in voice message by 1 8 3 if a
panasonic kx tem824 kx tes824 4 1 troubleshooting - Dec 24 2021

reset password panasonic kx tes824 pdf pivotid uvu - Jan 25 2022

how to reset panasonic kx tes824 youtube - Dec 04 2022

web apr 24 2021 how to reset password panasonic kx tes824 [panasonic kx tes824 user manual](#) [panasonic kx tes824 user manual](#) [panasonic kx tes824 user manual](#) [panasonic kx tes824 user manual](#) [panasonic kx tes824 user manual](#) [panasonic kx tes824 user manual](#) [panasonic kx tes824 user manual](#) [panasonic kx tes824 user manual](#)

toyota land cruiser automatic not shifting correctly repairpal - Mar 15 2023

web 134 000 340 000 search for a specific car problem 33 1999 toyota land cruiser 340 000 mi visitor when shifting from park to any gear there is a huge hit some mechanics say it s slack in the tranny some say in the transfer case or rear end been doing it for 75k miles the engine has 150k miles since rebuild tranny has a full 340k

2000 land cruiser transmission problem toyota nation forum - Jul 07 2022

web feb 26 2023 my transmission failed last week and i was told by the local toyota dealer the torque converter had failed and seized the transmission the dealer also informed me that toyota no longer manufactures this transmission and i

problem with automatic transmission toyota land cruiser serie 90 - Mar 03 2022

web mar 23 2022 how do i fix automatic transmission complications on a toyota land cruiser serie 90 and finally we re going to try to give you the techniques to resolve the automatic transmission complications on your toyota

list of transmission problems in the land cruiser 200 series - Aug 08 2022

web oct 8 2023 the toyota 200 series landcruiser has the ab60 transmission while the prado s and the hilux s has the ac60 transmission they are very similar transmissions however the ab60 transmission is a heavy duty transmission and the ac60 is a light to medium duty transmission

[toyota landcruiser transmission wont go into reverse autoguru](#) - Dec 12 2022

web a few ways to tell if your toyota landcruiser transmission is starting to develop an issue you have trouble shifting into any gear you select the gear and the vehicle doesn t go anywhere there is excessive movement in the shifter you could be causing more damage the more you drive also with the transmission not going into reverse there is

toyota land cruiser gearbox transmission problems - Oct 22 2023

web dec 2 2004 toyota land cruiser gearbox transmission problems are you having problems with the transmission of your toyota land cruiser let our team of motoring experts keep you up to date with all of the latest toyota

[transmission trouble new life for a 20 yr old land cruiser youtube](#) - Oct 10 2022

web sep 25 2019 105k views 4 years ago paul and jobert get to the bottom of the clacking noise coming from the gearbox

when in reverse this is the story of the restoration of a 20 year old toyota land cruiser

[toyota is working on a hydrogen powered landcruiser msn](#) - Jan 01 2022

web toyota motor company hydrogen factory president mitsumasa yamagata told carexpert the company is already exploring and drive is sent to the rear wheels through a 10 speed automatic transmission

[the most common toyota land cruiser problems you should](#) - Jul 19 2023

web mar 19 2021 according to carcomplaints com the most common toyota land cruiser problems include issues with the suv s oil usage rough shifting and its engine stopping suddenly based on repair pals data those aren t the only common toyota land cruiser problems that you should know about

toyota land cruiser transmission slipping causes how to fix - Aug 20 2023

web oct 28 2019 one common reason for your toyota land cruiser s transmission to slip is due to low automatic transmission fluid it s best to start your diagnosis with the atf transmission fluid is essential in lubricating the transmission parts and maintaining the proper pressure for smooth gear engagement

toyota land cruiser automatic gearbox problems - Oct 30 2021

web the main transmission problem of land cruiser is the shifting issue which affects the smooth movement of your vehicle possible causes and solutions in most land cruisers here are the two major issues that cause the shafting issue the throttle position sensor is out of adjustment shift

toyota land cruiser reliability and common problems - Feb 14 2023

web sep 4 2023 toyota land cruiser reliability and common problems in the garage with carparts com while the toyota land cruiser is a dependable suv it can develop problems as it gets older read about the most common land cruiser issues here [toyota land cruiser transmission problems carcomplaints com](#) - Sep 09 2022

web the most common land cruiser transmission problems occur at 40 000 miles the worst model years for transmission problems are the 2016 land cruiser 2011 land cruiser and the 2005 land cruiser

2016 toyota land cruiser transmission problems carcomplaints com - Apr 04 2022

web check out our toyota land cruiser overview to see the most problematic years worst problems and most recently reported complaints with the land cruiser 2016 toyota land cruiser transmission

[toyota land cruiser transmission overheating causes and](#) - May 17 2023

web jan 14 2020 1 temperature gauge and overheating your toyota land cruiser is equipped with a temperature gauge or warning light to help you detect overheating pay attention to this gauge or light while driving the most common symptom of transmission overheating in your land cruiser is the temperature light coming on

toyota land cruiser transmission problems cost a343f - Jun 18 2023

web how to solve toyota land cruiser transmission problems solution a buy a used toyota land cruiser transmission the quickest way to fix your transmission problems is to simply solution b buy a rebuilt toyota land cruiser transmission another option would be a rebuilt transmission or rebuilt

toyota land cruiser not shifting gears causes and fixes - Nov 11 2022

web jul 19 2023 checking the transmission fluid is the first step you should take in diagnosing a toyota land cruiser that won't shift misaligned throttle position sensors and malfunctioning shift solenoids are possible causes

2001 100 series auto transmission issues land cruiser club - May 05 2022

web aug 9 2023 1 hi guys only just found this forum what an awesome collection of knowledge there is on here obviously my first post but i've got an issue with my auto trans in our 100 series it's the 4.2 factory turbo diesel model and the problem is only intermittent though most often when the car is cold

toyota land cruiser prado and crown sedan to be offered in - Aug 28 2021

web november 15 2023 at 11:29 toyota will further expand its chinese lineup with the addition of the new land cruiser j250 and the crown sedan the models appeared on official teasers by faw toyota

toyota thinks a hydrogen land cruiser with combustion - Sep 28 2021

web in the regular land cruiser lc300 which isn't offered in the united states that 3.4 liter twin turbo v6 produces 409 hp and 650 nm 479 lb ft so you're sacrificing a lot of oomph when

toyota land cruiser problems and complaints 31 issues - Jun 06 2022

web looking for a particular toyota land cruiser problem toyota land cruiser problems by year 1990 toyota land cruiser problems 12 view all 1991 toyota land cruiser problems 12 view all 1992 toyota land cruiser problems 22 view all 1993 toyota land cruiser problems 21 view all 1994 toyota land cruiser problems 22 view all

toyota land cruiser bad torque converter symptoms 700r4 transmission - Apr 16 2023

web dec 3 2019 in the toyota land cruiser a bad torque converter is often caused by bad transmission fluid worn clutches bad seals or loose bolts symptoms of a bad torque converter include a vibration too much rpm on the highway and slipping bad torque converter symptoms toyota land cruiser

toyota land cruiser low transmission fluid symptoms and - Jan 13 2023

web nov 5 2019 unexpected sounds grinding noise if you notice a grinding noise while driving your toyota land cruiser it may be a sign of low transmission fluid levels this noise usually occurs when the gears are shifting the lack of proper lubrication can cause gear teeth to grind against each other resulting in an unpleasant sound and increased friction

toyota land cruiser automatic transmission problems - Feb 02 2022

web aug 3 1999 toyota land cruiser owners have reported 2 problems related to automatic transmission under the power

train category the most recently reported issues are listed below also please check out the statistics and reliability analysis of toyota land cruiser based on all problems reported for the land cruiser

2009 toyota land cruiser transmission problems carcomplaints com - Nov 30 2021

web 2009 toyota land cruiser transmission problems with 1 complaints from land cruiser owners the worst complaints are power train automatic transmission

toyota land cruiser problems 3 known issues explained - Sep 21 2023

web oct 23 2023 the main transmission problem of land cruiser is the shifting issue which affects the smooth movement of your vehicle possible causes and solutions in most land cruisers here are the two major issues that cause the shafting issue