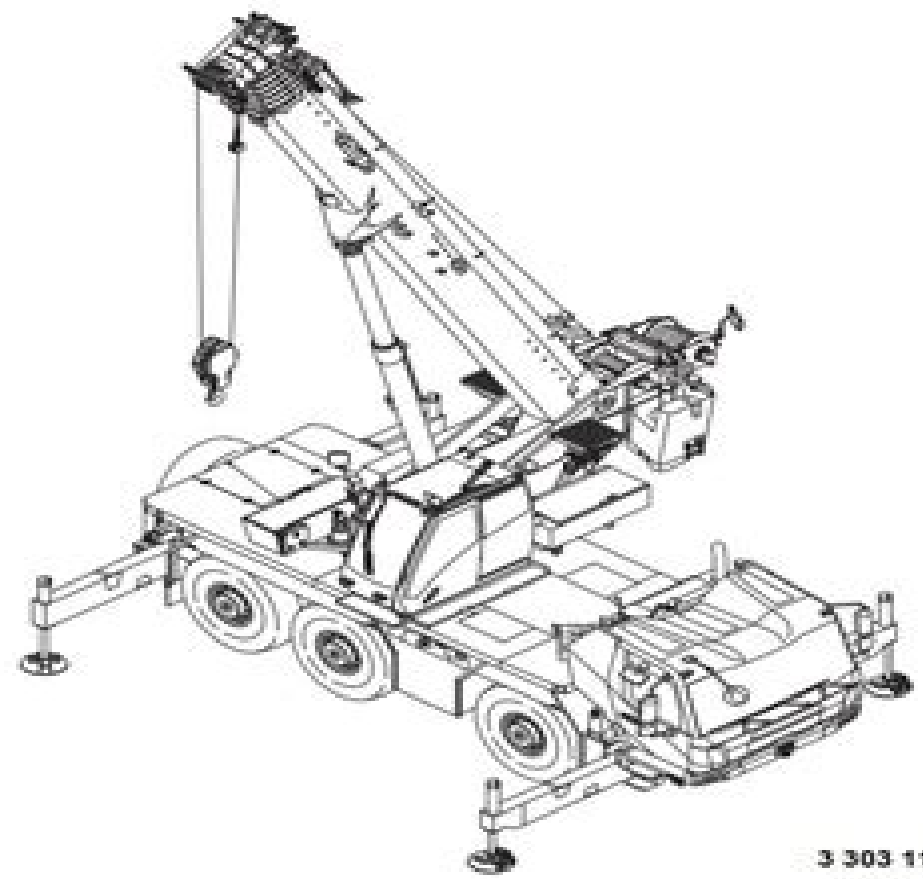


Bookmarks

- Operating Manual
 - Table of content
 - General
 - 1 Overview
 - 2 Basic safety instructions
 - Driving
 - 3 Operating elements for driver
 - 4 Starting and stopping the engine
 - 5 Driving
 - 6 Driving modes
 - 7 Transport
 - 8 Malfunctions in driving mode
 - Crane operation
 - 9 Operating elements for crane
 - 10 Starting/switching off the engine
 - 11 Crane operation
 - 12 Rigging work
 - 13 Driving with a rigged truck
 - 14 Malfunctions during crane operation
 - Index
 - A
 - B
 - C
 - D
 - E
 - F
 - G
 - H
 - I
 - L
 - M
 - O
 - R
 - S
 - T
 - W

GROVE GMK3060L-1

Operating Manual



3 303 118 en
07.01.2021



Grove Gmk Service Manual

Annelies Wilder-Smith



Grove Gmk Service Manual:

Eventually, you will extremely discover a supplementary experience and expertise by spending more cash. still when? reach you believe that you require to get those every needs past having significantly cash? Why dont you attempt to acquire something basic in the beginning? Thats something that will lead you to understand even more regarding the globe, experience, some places, in the same way as history, amusement, and a lot more?

It is your utterly own time to take effect reviewing habit. in the middle of guides you could enjoy now is **Grove Gmk Service Manual** below.

https://staging.conocer.cide.edu/data/publication/HomePages/Lg_Verizon_User_Guide.pdf

Table of Contents Grove Gmk Service Manual

1. Understanding the eBook Grove Gmk Service Manual
 - The Rise of Digital Reading Grove Gmk Service Manual
 - Advantages of eBooks Over Traditional Books
2. Identifying Grove Gmk Service Manual
 - Exploring Different Genres
 - Considering Fiction vs. Non-Fiction
 - Determining Your Reading Goals
3. Choosing the Right eBook Platform
 - Popular eBook Platforms
 - Features to Look for in an Grove Gmk Service Manual
 - User-Friendly Interface
4. Exploring eBook Recommendations from Grove Gmk Service Manual
 - Personalized Recommendations
 - Grove Gmk Service Manual User Reviews and Ratings
 - Grove Gmk Service Manual and Bestseller Lists
5. Accessing Grove Gmk Service Manual Free and Paid eBooks

- Grove Gmk Service Manual Public Domain eBooks
 - Grove Gmk Service Manual eBook Subscription Services
 - Grove Gmk Service Manual Budget-Friendly Options
6. Navigating Grove Gmk Service Manual eBook Formats
 - ePub, PDF, MOBI, and More
 - Grove Gmk Service Manual Compatibility with Devices
 - Grove Gmk Service Manual Enhanced eBook Features
 7. Enhancing Your Reading Experience
 - Adjustable Fonts and Text Sizes of Grove Gmk Service Manual
 - Highlighting and Note-Taking Grove Gmk Service Manual
 - Interactive Elements Grove Gmk Service Manual
 8. Staying Engaged with Grove Gmk Service Manual
 - Joining Online Reading Communities
 - Participating in Virtual Book Clubs
 - Following Authors and Publishers Grove Gmk Service Manual
 9. Balancing eBooks and Physical Books Grove Gmk Service Manual
 - Benefits of a Digital Library
 - Creating a Diverse Reading Collection Grove Gmk Service Manual
 10. Overcoming Reading Challenges
 - Dealing with Digital Eye Strain
 - Minimizing Distractions
 - Managing Screen Time
 11. Cultivating a Reading Routine Grove Gmk Service Manual
 - Setting Reading Goals Grove Gmk Service Manual
 - Carving Out Dedicated Reading Time
 12. Sourcing Reliable Information of Grove Gmk Service Manual
 - Fact-Checking eBook Content of Grove Gmk Service Manual
 - Distinguishing Credible Sources
 13. Promoting Lifelong Learning
 - Utilizing eBooks for Skill Development

-
- Exploring Educational eBooks
14. Embracing eBook Trends
- Integration of Multimedia Elements
 - Interactive and Gamified eBooks

Grove Gmk Service Manual Introduction

Free PDF Books and Manuals for Download: Unlocking Knowledge at Your Fingertips In today's fast-paced digital age, obtaining valuable knowledge has become easier than ever. Thanks to the internet, a vast array of books and manuals are now available for free download in PDF format. Whether you are a student, professional, or simply an avid reader, this treasure trove of downloadable resources offers a wealth of information, conveniently accessible anytime, anywhere. The advent of online libraries and platforms dedicated to sharing knowledge has revolutionized the way we consume information. No longer confined to physical libraries or bookstores, readers can now access an extensive collection of digital books and manuals with just a few clicks. These resources, available in PDF, Microsoft Word, and PowerPoint formats, cater to a wide range of interests, including literature, technology, science, history, and much more. One notable platform where you can explore and download free Grove Gmk Service Manual PDF books and manuals is the internet's largest free library. Hosted online, this catalog compiles a vast assortment of documents, making it a veritable goldmine of knowledge. With its easy-to-use website interface and customizable PDF generator, this platform offers a user-friendly experience, allowing individuals to effortlessly navigate and access the information they seek. The availability of free PDF books and manuals on this platform demonstrates its commitment to democratizing education and empowering individuals with the tools needed to succeed in their chosen fields. It allows anyone, regardless of their background or financial limitations, to expand their horizons and gain insights from experts in various disciplines. One of the most significant advantages of downloading PDF books and manuals lies in their portability. Unlike physical copies, digital books can be stored and carried on a single device, such as a tablet or smartphone, saving valuable space and weight. This convenience makes it possible for readers to have their entire library at their fingertips, whether they are commuting, traveling, or simply enjoying a lazy afternoon at home. Additionally, digital files are easily searchable, enabling readers to locate specific information within seconds. With a few keystrokes, users can search for keywords, topics, or phrases, making research and finding relevant information a breeze. This efficiency saves time and effort, streamlining the learning process and allowing individuals to focus on extracting the information they need. Furthermore, the availability of free PDF books and manuals fosters a culture of continuous learning. By removing financial barriers, more people can access educational resources and pursue lifelong learning, contributing to personal growth and professional development. This democratization of knowledge promotes intellectual curiosity and empowers

individuals to become lifelong learners, promoting progress and innovation in various fields. It is worth noting that while accessing free Grove Gmk Service Manual PDF books and manuals is convenient and cost-effective, it is vital to respect copyright laws and intellectual property rights. Platforms offering free downloads often operate within legal boundaries, ensuring that the materials they provide are either in the public domain or authorized for distribution. By adhering to copyright laws, users can enjoy the benefits of free access to knowledge while supporting the authors and publishers who make these resources available. In conclusion, the availability of Grove Gmk Service Manual free PDF books and manuals for download has revolutionized the way we access and consume knowledge. With just a few clicks, individuals can explore a vast collection of resources across different disciplines, all free of charge. This accessibility empowers individuals to become lifelong learners, contributing to personal growth, professional development, and the advancement of society as a whole. So why not unlock a world of knowledge today? Start exploring the vast sea of free PDF books and manuals waiting to be discovered right at your fingertips.

FAQs About Grove Gmk Service Manual Books

How do I know which eBook platform is the best for me? Finding the best eBook platform depends on your reading preferences and device compatibility. Research different platforms, read user reviews, and explore their features before making a choice. Are free eBooks of good quality? Yes, many reputable platforms offer high-quality free eBooks, including classics and public domain works. However, make sure to verify the source to ensure the eBook credibility. Can I read eBooks without an eReader? Absolutely! Most eBook platforms offer web-based readers or mobile apps that allow you to read eBooks on your computer, tablet, or smartphone. How do I avoid digital eye strain while reading eBooks? To prevent digital eye strain, take regular breaks, adjust the font size and background color, and ensure proper lighting while reading eBooks. What the advantage of interactive eBooks? Interactive eBooks incorporate multimedia elements, quizzes, and activities, enhancing the reader engagement and providing a more immersive learning experience. Grove Gmk Service Manual is one of the best book in our library for free trial. We provide copy of Grove Gmk Service Manual in digital format, so the resources that you find are reliable. There are also many Ebooks of related with Grove Gmk Service Manual. Where to download Grove Gmk Service Manual online for free? Are you looking for Grove Gmk Service Manual PDF? This is definitely going to save you time and cash in something you should think about.

Find Grove Gmk Service Manual :

[lg verizon user guide](#)

[lhistoire monde racontee chefs oeuvre louvre](#)

[lg tv remote codes](#)

liderazgo lussier and achua

[lhecuteritiegravere du manoir jade](#)

lg xa105 xas105f micro hi fi system service manual

lidl la strateacutegie dentreacuttee sur le marcheacuttee francce dilais

[libby short solutions manual](#)

[lifan generator owners manual](#)

[life orientation grade 12 past papers impak memo](#)

[liaisons sulfureuses myste gravere](#)

[lg washing machine repair pune](#)

[life and death are wearing me out](#)

[lg wireless phone owners manual](#)

[lg tv 21fa2rg az service menu](#)

Grove Gmk Service Manual :

oracle hospitality opera property management - Jun 14 2023

web this library is comprised of product documentation for opera property management getting started release notes 5 5 1

contains the release notes for opera property

[opera v5 11g workstation setup guide oracle](#) - Sep 05 2022

web opera 5 pms provides hoteliers and hospitality businesses with a vast array of partners services and flexible apis to help them innovate quickly to meet new marketplace

[pms configuration oracle](#) - Jan 09 2023

web topics for opera pms configuration include the following groups reservations configuration topics profiles configuration topics rate management configuration

opera hotel property management solutions pms oracle - Aug 04 2022

web manual is organized this manual follows the design of the opera modules in addition to several supplemental

management chapters the manual contains the following

opera pms 5 0 manual canada guide step by step instructions - Oct 26 2021

pms opera 5 04 03 manual pdf pdf credit - Dec 08 2022

web oracle hospitality opera 5 property management is the proven property management system for hotels that want the benefits of oracle hospitality opera 5 suite at an

table of contents - Jul 03 2022

web oracle hospitality opera digital training offers users at any level opera knowledge and experience this all digital solution gives you unlimited access to our robust portfolio

[opera pms reference manual opera hotel edition](#) - Mar 31 2022

web opera v5 0 04 00 service pack release notes version release and service pack 5 0 04 00 release date friday december 21 2012 oracle database windows

opera hotel edition - Oct 06 2022

web opera v5 11g workstation setup guide 6 in the internet options window shown below select the security tab 7 left click the green check mark for trusted sites 8

opera property management oracle - Jul 15 2023

web topics in the opera user guide before installing opera property management opera property management implementation credit card encryption key utility configuring

opera v5 0 04 00 service pack release notes manualzz - Nov 26 2021

opera digital training oracle university - May 01 2022

web nov 18 2015 opera pms version 5 0 manual opera pms training manual free pdf download opera v5 training pdf full for hotels manual micros opera pms download

opera property management oracle - Aug 16 2023

web this document describes workstation setup for oracle hospitality opera property management version 5 5 and higher customer support to contact oracle customer

opera pms 5 manual uploadsec - Dec 28 2021

oracle hospitality opera 5 property management - Nov 07 2022

web opera version 5 0 enterprise solution software including opera property management opera limited service xpress opera

xpress lite lite operetta opera

opera property management oracle - Apr 12 2023

web the application parameter restrict credit card manual entry is available all pms credit card transactions go through the database to be polled by ifc8 web service

workstation setup guide opera pms oracle property - May 13 2023

web 7 on the java setup welcome screen click install after the installation has completed the java setup uninstall out of date versions screen appears 8 click uninstall 9

dsp home - Sep 24 2021

welcome to opera property management system pms oracle - Feb 10 2023

web at the core of the opera enterprise solution is the opera property management system pms designed to meet the varied requirements of any size property or property chain

opera pms user s guide 3 0 a visual - Jan 29 2022

web dsp home

opera hotel edition oracle - Mar 11 2023

web the opera knowledgebase is the right place to start looking for answers you can search for specific features by using the enhanced search or you can simply browse through the

opera hotel v5 new features pms slideshare - Jun 02 2022

web oct 4 2017 page 1 save this book to read opera pms v5 user guide pdf ebook at our online library get opera pms v5 user guide pdf file for free from our online library

opera pms v5 user guide by janila78amanda issuu - Feb 27 2022

web oct 27 2022 youtube com watch v ujrjos33gw lab exercises and opera scenarios for fidelio micros opera pmstechnology is an ever changing stream always

perhitungan tekuk kolom orientation sutd edu - Apr 27 2022

web beban kritis kolom dimaksud perhitungan tersebut dapat dijabarkan sebagai berikut kajian perbandingan tekuk kolom baja ringan secara numerik dan peraturan tesis oleh riwanto marbun ts fakultas teknik universitas sumatera utara medan 2013 kajian perbandingan tekuk kolom baja perhitungan tekuk kolom full version 4177 dls 3500 kb s

perhitungan tekuk kolom - Mar 27 2022

web 2 perhitungan tekuk kolom 2022 08 06 academics and engineers sifat mekanis kayu erlangga buku ini memberikan penjelasan tentang perencanaan elemen struktur baja hampir seluruh isi buku ajar ini termasuk rumus rumusnya mengacu

pada sni standar nasional indonesia 03 1729 2002 tentang tata cara perencanaan struktur baja
komponen struktur tekan - May 09 2023

web panjang tekuk panjang efektif suatu kolom secara sederhana dapat didefinisikan sebagai jarak di antara dua titik pada kolom tersebut yang mempunyai momen sama dengan nol atau didefinisikan pula sebagai jarak di antara dua titik belok dari kelengkungan kolom dalam perhitungan kelangsingan komponen

perhitungan kolom pdf scribd - Oct 02 2022

web simpan simpan perhitungan kolom untuk nanti 83 6 83 menganggap dokumen ini bermanfaat 6 suara 4k tayangan 14 halaman perhitungan kolom diunggah oleh muh zulkarnain perhitungan kolom panjang tekuk zapater kingston sirait perencanaan kolom beton perencanaan kolom beton citra putri kalingga contoh menghitung k

modul 4 sesi 1 batang tekan pdf slideshare - Jun 10 2023

web jan 11 2015 4 modul kuliah struktur baja 1 2011 ir thamrin nasution departemen teknik sipil ftsp itm 2 gambar 2 kolom tekuk euler dimana E modulus elastisitas baja I momen inerti batang persamaan 2 diatas adalah persamaan homogen linear orde kedua second order homogeneous linear differential equation apabila di

ebook perhitungan tekuk kolom - Feb 23 2022

web perhitungan tekuk kolom himpunan peraturan di bidang perdagangan jan 19 2022 panduan lengkap membangun rumah apr 21 2022 desain beton bertulang jl 2 apr 02 2023 statika teknik feb 17 2022 konsep partikel keseimbangan statik results sistem gaya analisis struktur sifat mekanik material analisis

free perhitungan tekuk kolom sudt - Jan 05 2023

web perhitungan tekuk kolom peraturan beton bertulang indonesia 1971 p b i 1971 n 2 1 mar 04 2022 struktur beton 1 jul 08 2022 buku ajar struktur beton 1 merupakan buku yang membahas metode dan analisis perancangan bangunan beton bertulang sebagai salah satu bahan konstruksi yang paling banyak digunakan dalam perancangan struktur gedung
perhitungan tulangan kolom pdf slideshare - Apr 08 2023

web oct 21 2020 sengkang ikat o diameter sengkang ikat d 10 dia 10 mm jika dia tulangan pokok d 32 dia 22 mm dan d 13 dia 10 3 mm jika dia tulangan pokok d 32 o jarak bersih pada arah memanjang kolom $16 \times$ dia tulangan pokok memanjang kolom $48 \times$ dia sengkang lebar b penampang kolom b h o tidak boleh ada

perhitungan kolom lentur dua arah biaxial - Nov 03 2022

web tahanan aksial tekan faktor tekuk kolom dihitung dengan rumus sebagai berikut a untuk nilai l_c 0 25 maka termasuk kolom pendek w 1 b untuk nilai 0 25 l_c 1 20 maka termasuk kolom sedang w 1 43 1 6 0 67 l_c c untuk nilai c 1 1 20 maka termasuk kolom langsing

perhitungan balok kolom perhitungan struktur baja dengan - Jul 31 2022

web perhitungan balok kolom beam column pada elemen struktur rafter dengan pengaku badan c 2011 m noer ilham
 tegangan leleh baja yield stress f_y 240 mpa tegangan sisa residual stress f_r 70 mpa modulus elastik baja modulus of elasticity
 E 200000 mpa angka poisson poisson s ratio 0

perhitungan tekuk kolom lfe io - Dec 04 2022

web dan penjelasan kolom mekanika kekuatan material perhitungan kolom baja format excel mekanika bahan pertemuan 22
 balok asimetris dan tekuk kolom oleh dr eng januarti j e cara menghitung beban kritis kolom dengan menggunakan rumus
 euler 13 04 stabilitas kolom contoh perhitungan 8 minutes

cara menghitung kolom pada konstruksi dengan akurat - Jul 11 2023

web 1 12 x 6 0 5 m 50 cm sedangkan itu untuk lebarnya b rumusnya adalah $1/2 \times h$ sehingga akan didapatkan nilai $1/2 \times 0.50$
 25 m 25 cm perhitungan di atas adalah untuk balok induk selanjutnya yang harus anda ketahui adalah dimensi balok anak
 untuk menghitungnya akan digunakan cara

tips menghtiung dimensi kolom dan dimensi balok serta tebal - Sep 13 2023

web dec 22 2022 lebar penampang kolom lebar balok 2 x 5 cm 25 cm 2 x 5 cm 25 10 cm 35 cm jadi ukuran kolomnya adalah
 35x35 cm jika menggunakan kolom pipih setebal tembok 15 cm maka perhitungan luasnya harus tetap sama dengan luas
 ukuran yang didapat dari rumus di atas b dimensi jika menggunakan kolom pipih

pdf perhitungan balok kolom beam column - May 29 2022

web perhitungan balok kolom beam column saladin hmsa a data bahan f_y 240 mpa f_r 70 mpa E 200000 mpa ν 0.3 b data
 profil baja profil ht 400 mm bf 200 mm tw 8 mm tf 13 mm r 16 mm a 8410 mm² ix 237000000 mm⁴ iy 174000000 mm⁴ rx 168
 mm ry 45.4 mm sx 1190000 mm³ sy 174000 mm³ c

contoh soal perhitungan elemen balok kolom youtube - Mar 07 2023

web apr 7 2020 ppt presentation dapat didownload pada link berikut ini drive google com file d 18ubign 8hi6rbd
 1x5jjkb8vlwpd4yyr view usp sharing video kompilasi k

analisis numerik tekuk kolom variasi penampang profil baja - Feb 06 2023

web 1 pendahuluan bangunan biasanya terbuat baik dari material baja maupun beton terdiri dari elemen elemen struktural
 seperti pelat balok serta kolom setiap elemen ini mampu memikul gaya yang berbeda beda seperti momen lentur lintang
 geser dan normal dengan persentase yang berbeda pula

kuat tekan baja sni 1729 2020 ppt slideshare - Jun 29 2022

web mar 31 2021 oleh sebab itu pada perencanaan kolom beton jarang yang memperhitungkan tekuk cukup diatasi dengan
 diagram kinteraksi penampang berdasarkan prinsip kompatibilas tegangan regangan pada material penampangnya
 bangunan penampung air runtuh akibat tekuk

tekuk kolom universitas brawijaya - Oct 14 2023

web tekuk kolom pengertian kolom tiang tonggak batang desak meneruskan beban ke pondasi kolom merupakan batang tekan menahan balok rangka atap kategori kolom kolom panjang kolom yang kegagalannya ditentukan oleh tekuk dimensi arah memanjang jauh lebih besar dibandingkan dimensi arah lateral kolom pendek

perhitungan tekuk kolom cyberlab sutd edu sg - Aug 12 2023

web perhitungan tekuk kolom menghitung konstruksi beton u pgbgn rumah jan 22 2023 guide to stability design criteria for metal structures feb 11 2022 teori dan desain kolom fondasi balok t nov 20 2022 buku ini berisi tentang teori kolom fondasi dan

kolom upj - Sep 01 2022

web title kolom author agus setiawan created date 6 29 2015 10 02 07 am

military protective orders fact sheet army - Jun 03 2023

web apr 13 2023 this video provides an example of how to use the new army dynamic developmental counseling statement da form 4856 as of march 2023 in this example we use an event oriented

how to conduct an army counseling assessment da form 4856 - Jun 22 2022

web 4 no contact order army 4856 2022 11 01 lessons learned and provides a uniform standard based on the needs of the army and its soldiers the abmp supports the

no contact order army 4856 graph safehousetech - Feb 16 2022856 nerenin telefon kodu 856 hangi Ülkeye ait milliyet - Nov 15 2021**event oriented counseling examples armywriter com** - Sep 06 2023

web 1 effective immediately you are hereby authorized to have limited contact with your wife full name the limitations with respect to your contact with your wife are as follows

leaders take note the army s counseling form gets a - Apr 01 2023

web may 15 2020 army counseling for domestic abuse and protective order back to event oriented counseling thanks for your contributions 15 may 2020 reference dod

48 nerenin telefon kodu 48 hangi Ülkeye ait milliyet - Jan 18 2022*domestic abuse counseling armywriter com* - Jan 30 2023

web may 7 2023 this video provides an example of how to use the new army dynamic developmental counseling statement

da form 4856 as of march 2023 in this episode

counseling using da 4856 filling out the form the - Sep 25 2022

web mar 1 2022 in the military the commander on base issues no contact orders the commander may issue two types of no contact orders military protective order mp0

08504800856 kim olduğu bulundu dikkat neden arıyor öğrenin - Dec 17 2021

u s army cadet command - Jul 04 2023

web a civilian protective order cpo is an order issued by a judge magistrate or other authorized civilian official ordering an individual to avoid contact with his or her spouse

military no contact order what is it how to file - Mar 20 2022

web sep 25 2023 fakat ülkemizde 856 numaralı bir alan kodu bulunmamaktadır 856 numaralı ülke kodu güney doğu asya nın Çin yarımadasında bulunan laos demokratik

[counseling statement fact sheet army](#) - Feb 28 2023

web da 4856 developmental counseling form march 2023 pdf local copy da 4856 developmental counseling form july 2014 pdf local copy da 4856 developmental

no contact order rules examples video lesson - May 22 2022

web sep 25 2023 fakat ülkelerin kodları kolaylıkla öğrenilebilir 48 numaralı kod ise baltık denizinin güneyinde bulunan polonya ülkesine aittir 48 numaralı kod polonya ülkesine

no contact order modification armywriter com - Aug 05 2023

web appendix h da 4856 example no contact order for a cadet appendix i da 4856 example no contact order and flag notification for a cadre member under

new da form 4856 counseling for height and weight youtube - Jul 24 2022

web dec 18 2015 a military no contact also called a military protective order is the military equivalent of a restraining order it is issued by a military member s command it

da form 4856 2023 fill out sign online dochub - Apr 20 2022

web feb 6 2021 eğer siz de bu numara tarafından arandıysanız yorum yazarak daha çok insanın bilgi edinmesini sağlayabilirsiniz gerçek kullanıcı yorumları ve değerlendirmeleri

military protective orders and military no contact orders - Aug 25 2022

web the da form 4856 is a form used by the department of the army it is a developmental counseling form this form is used to document counseling sessions given from

[no contact order template armywriter com](#) - Oct 07 2023

web no contact order 1 conditions a from insert date you are not permitted to initiate any contact or communication with the protected persons listed below

template example for event oriented counseling - Nov 27 2022

web jun 5 2023 new da form 4856 counseling for height and weight this video provides an example of how to use the new army dynamic developmental counseling statement

da 4856 blank forms armywriter com - Dec 29 2022

web a military no contact order is similar to an mpo but is generally given when the circumstances are unclear as to whether a mpo is warranted a no contact order is

4856 new event oriented substandard performance example - Oct 27 2022

web army counseling assessments of the da form 4856 is one of the most overlooked parts of counseling yet it is absolutely the most critical step of the process as it lets the soldier

new 4856 overview general format example youtube - May 02 2023

web and event oriented issues the counseling is captured on the department of army da form 4856 the soldier can add comments on the second page of da form 4856 the