

1.1.2 Machine for transferring material

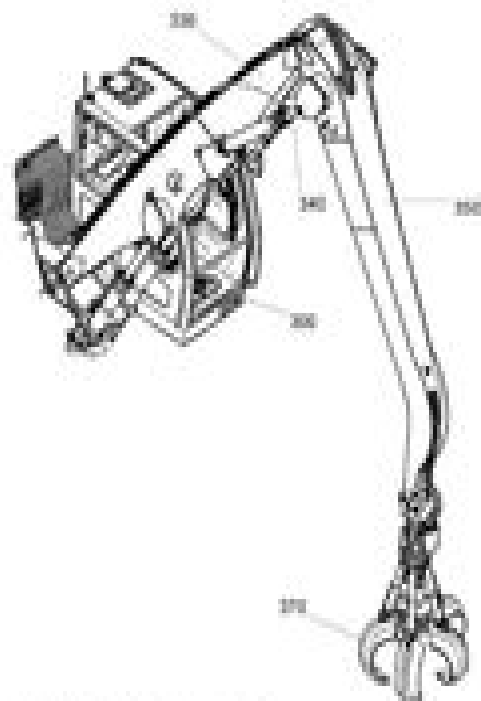


Fig. 1-2 Machine for transferring material

- | | | |
|------------------------|---------------------|---------------------|
| 300 Hydraulic cylinder | 310 Industrial boom | 320 Industrial mast |
| 330 Forklift truck | 340 Industrial fork | 350 Industrial mast |
| 360 Chassis | | |

1.1.3 Upper carriage

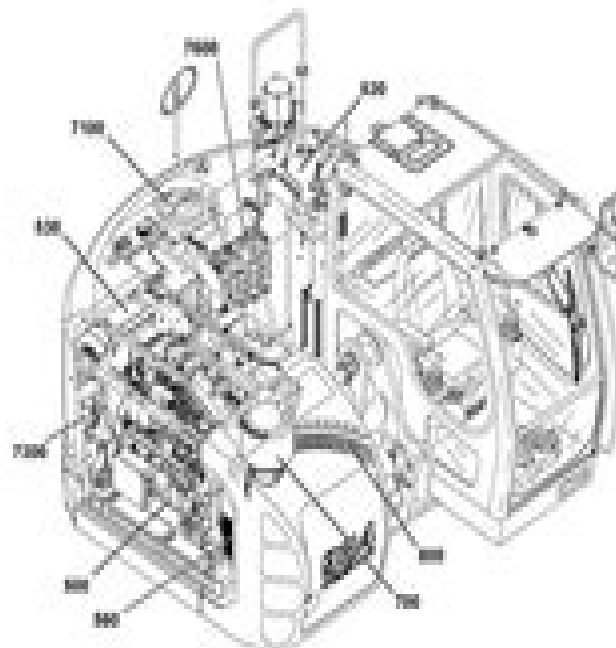


Fig. 1-3 Upper carriage

- | | |
|--------------------|--------------------------------|
| 600 Diesel engine | 610 Chassis |
| 620 Fuel tank | 630 Flywheel |
| 640 Clutch | 650 Steering gear transmission |
| 660 Steering ring | 670 Hydraulic fuel line |
| 680 Hydraulic pump | 690 Steering cylinder |

Liebherr 924 Manual

Huangqi Zhang



Liebherr 924 Manual:

When somebody should go to the books stores, search establishment by shop, shelf by shelf, it is truly problematic. This is why we present the books compilations in this website. It will enormously ease you to look guide **Liebherr 924 Manual** as you such as.

By searching the title, publisher, or authors of guide you in fact want, you can discover them rapidly. In the house, workplace, or perhaps in your method can be every best place within net connections. If you seek to download and install the Liebherr 924 Manual, it is unquestionably simple then, before currently we extend the connect to purchase and make bargains to download and install Liebherr 924 Manual suitably simple!

<https://staging.conocer.cide.edu/About/detail/fetch.php/Mathematics%20Pjune%202012%20Common%20Test.pdf>

Table of Contents Liebherr 924 Manual

1. Understanding the eBook Liebherr 924 Manual
 - The Rise of Digital Reading Liebherr 924 Manual
 - Advantages of eBooks Over Traditional Books
2. Identifying Liebherr 924 Manual
 - Exploring Different Genres
 - Considering Fiction vs. Non-Fiction
 - Determining Your Reading Goals
3. Choosing the Right eBook Platform
 - Popular eBook Platforms
 - Features to Look for in an Liebherr 924 Manual
 - User-Friendly Interface
4. Exploring eBook Recommendations from Liebherr 924 Manual
 - Personalized Recommendations
 - Liebherr 924 Manual User Reviews and Ratings
 - Liebherr 924 Manual and Bestseller Lists

5. Accessing Liebherr 924 Manual Free and Paid eBooks
 - Liebherr 924 Manual Public Domain eBooks
 - Liebherr 924 Manual eBook Subscription Services
 - Liebherr 924 Manual Budget-Friendly Options
6. Navigating Liebherr 924 Manual eBook Formats
 - ePub, PDF, MOBI, and More
 - Liebherr 924 Manual Compatibility with Devices
 - Liebherr 924 Manual Enhanced eBook Features
7. Enhancing Your Reading Experience
 - Adjustable Fonts and Text Sizes of Liebherr 924 Manual
 - Highlighting and Note-Taking Liebherr 924 Manual
 - Interactive Elements Liebherr 924 Manual
8. Staying Engaged with Liebherr 924 Manual
 - Joining Online Reading Communities
 - Participating in Virtual Book Clubs
 - Following Authors and Publishers Liebherr 924 Manual
9. Balancing eBooks and Physical Books Liebherr 924 Manual
 - Benefits of a Digital Library
 - Creating a Diverse Reading Collection Liebherr 924 Manual
10. Overcoming Reading Challenges
 - Dealing with Digital Eye Strain
 - Minimizing Distractions
 - Managing Screen Time
11. Cultivating a Reading Routine Liebherr 924 Manual
 - Setting Reading Goals Liebherr 924 Manual
 - Carving Out Dedicated Reading Time
12. Sourcing Reliable Information of Liebherr 924 Manual
 - Fact-Checking eBook Content of Liebherr 924 Manual
 - Distinguishing Credible Sources
13. Promoting Lifelong Learning

- Utilizing eBooks for Skill Development
 - Exploring Educational eBooks
14. Embracing eBook Trends
- Integration of Multimedia Elements
 - Interactive and Gamified eBooks

Liebherr 924 Manual Introduction

In this digital age, the convenience of accessing information at our fingertips has become a necessity. Whether its research papers, eBooks, or user manuals, PDF files have become the preferred format for sharing and reading documents. However, the cost associated with purchasing PDF files can sometimes be a barrier for many individuals and organizations. Thankfully, there are numerous websites and platforms that allow users to download free PDF files legally. In this article, we will explore some of the best platforms to download free PDFs. One of the most popular platforms to download free PDF files is Project Gutenberg. This online library offers over 60,000 free eBooks that are in the public domain. From classic literature to historical documents, Project Gutenberg provides a wide range of PDF files that can be downloaded and enjoyed on various devices. The website is user-friendly and allows users to search for specific titles or browse through different categories. Another reliable platform for downloading Liebherr 924 Manual free PDF files is Open Library. With its vast collection of over 1 million eBooks, Open Library has something for every reader. The website offers a seamless experience by providing options to borrow or download PDF files. Users simply need to create a free account to access this treasure trove of knowledge. Open Library also allows users to contribute by uploading and sharing their own PDF files, making it a collaborative platform for book enthusiasts. For those interested in academic resources, there are websites dedicated to providing free PDFs of research papers and scientific articles. One such website is Academia.edu, which allows researchers and scholars to share their work with a global audience. Users can download PDF files of research papers, theses, and dissertations covering a wide range of subjects. Academia.edu also provides a platform for discussions and networking within the academic community. When it comes to downloading Liebherr 924 Manual free PDF files of magazines, brochures, and catalogs, Issuu is a popular choice. This digital publishing platform hosts a vast collection of publications from around the world. Users can search for specific titles or explore various categories and genres. Issuu offers a seamless reading experience with its user-friendly interface and allows users to download PDF files for offline reading. Apart from dedicated platforms, search engines also play a crucial role in finding free PDF files. Google, for instance, has an advanced search feature that allows users to filter results by file type. By specifying the file type as "PDF," users can find websites that offer free PDF downloads on a specific topic. While downloading Liebherr 924 Manual free PDF files is convenient, its important to

note that copyright laws must be respected. Always ensure that the PDF files you download are legally available for free. Many authors and publishers voluntarily provide free PDF versions of their work, but its essential to be cautious and verify the authenticity of the source before downloading Liebherr 924 Manual. In conclusion, the internet offers numerous platforms and websites that allow users to download free PDF files legally. Whether its classic literature, research papers, or magazines, there is something for everyone. The platforms mentioned in this article, such as Project Gutenberg, Open Library, Academia.edu, and Issuu, provide access to a vast collection of PDF files. However, users should always be cautious and verify the legality of the source before downloading Liebherr 924 Manual any PDF files. With these platforms, the world of PDF downloads is just a click away.

FAQs About Liebherr 924 Manual Books

What is a Liebherr 924 Manual PDF? A PDF (Portable Document Format) is a file format developed by Adobe that preserves the layout and formatting of a document, regardless of the software, hardware, or operating system used to view or print it. **How do I create a Liebherr 924 Manual PDF?** There are several ways to create a PDF: Use software like Adobe Acrobat, Microsoft Word, or Google Docs, which often have built-in PDF creation tools. Print to PDF: Many applications and operating systems have a "Print to PDF" option that allows you to save a document as a PDF file instead of printing it on paper. Online converters: There are various online tools that can convert different file types to PDF. **How do I edit a Liebherr 924 Manual PDF?** Editing a PDF can be done with software like Adobe Acrobat, which allows direct editing of text, images, and other elements within the PDF. Some free tools, like PDFescape or Smallpdf, also offer basic editing capabilities. **How do I convert a Liebherr 924 Manual PDF to another file format?** There are multiple ways to convert a PDF to another format: Use online converters like Smallpdf, Zamzar, or Adobe Acrobats export feature to convert PDFs to formats like Word, Excel, JPEG, etc. Software like Adobe Acrobat, Microsoft Word, or other PDF editors may have options to export or save PDFs in different formats. **How do I password-protect a Liebherr 924 Manual PDF?** Most PDF editing software allows you to add password protection. In Adobe Acrobat, for instance, you can go to "File" -> "Properties" -> "Security" to set a password to restrict access or editing capabilities. Are there any free alternatives to Adobe Acrobat for working with PDFs? Yes, there are many free alternatives for working with PDFs, such as: LibreOffice: Offers PDF editing features. PDFsam: Allows splitting, merging, and editing PDFs. Foxit Reader: Provides basic PDF viewing and editing capabilities. How do I compress a PDF file? You can use online tools like Smallpdf, ILovePDF, or desktop software like Adobe Acrobat to compress PDF files without significant quality loss. Compression reduces the file size, making it easier to share and download. Can I fill out forms in a PDF file? Yes, most PDF viewers/editors like Adobe Acrobat, Preview (on Mac), or

various online tools allow you to fill out forms in PDF files by selecting text fields and entering information. Are there any restrictions when working with PDFs? Some PDFs might have restrictions set by their creator, such as password protection, editing restrictions, or print restrictions. Breaking these restrictions might require specific software or tools, which may or may not be legal depending on the circumstances and local laws.

Find Liebherr 924 Manual :

[mathematics pjune 2012 common test](#)

[maths a november 1mao 2h mark scheme](#)

[mathematics plimpopo doe june 2014 ncs](#)

mathematics scheme of work for jss3 for 3rd term

maths p1 grade 12 june 2014 mpumalanga mem

mathematics papers 2013 winter igcse

mathematics plimpopo doe november 2013 memo

[maths igese wed 14 may 2014 mark scheme](#)

[mathematics pnscc grade 12 exemplar dbc 2014 memorandum](#)

mathematics plimpopodoe november 20grade 11

[maths n4 study guide](#)

[maths litetacy pgrade 1scope november 2014](#)

maths exam papers grade 10

[mathematics paper1 november 2010](#)

maths lit 2014 memorandam

Liebherr 924 Manual :

John Updike: A Study of the Short Fiction (Twayne's ... Updike's short fiction captures the changing historical background, the shifting social mores, and the personal responses to the altered socio-cultural ... John Updike: A Study of the Short Fiction (Twayne's ... Title: John Updike: A Study of the Short Fiction (... Publisher: Twayne Pub. Publication Date: 1993. Binding: Hardcover. Condition: ... John Updike A Study Of The Short Fiction Twaynes ... Nov 25, 2023 — John Updike A Study Of The Short Fiction Twaynes Studies In Short Fiction. 3. 3. To the list of John Updike's well- intentioned protagonists ... John Updike: A Study of the Short Fiction - Document by TK Meier · 1994 — Robert M. Luscher provides in his John Updike: A

Study of the Short Fiction a useful and much needed guide to the works of one of the most important and ... John Updike: A Study of the Short Fiction (Twayne's ... John Updike: A Study of the Short Fiction (Twayne's Studies in Short Fiction) John Updike: A Study of the Short Fiction (Twayne's Studies in ... John Updike: A Study of the Short Fiction (Twayne's Studies in Short Fiction). \$15.08. Author: Luscher, Robert M. Publisher: Twayne Pub John Updike: A Study of the Short Fiction (Twayne's ... John Updike: A Study of the Short Fiction (Twayne's Studies in Short Fiction) ; Item Number. 154970210775 ; ISBN. 9780805708509 ; Book Title. John Updike : a Study ... John Updike: a study of the short fiction (Book) Luscher, R. M. (1993). John Updike: a study of the short fiction. New York : Toronto : New York, Twayne. Chicago / Turabian - Author Date Citation (style ... John Updike : a study of the short fiction / Robert M. Luscher. John Updike : a study of the short fiction / Robert M. Luscher. Prolific in a variety ... Twayne's studies in short fiction ; no. 43. Subjects: Updike, John ... John Updike: A Study of the Short Fiction (Twayne's ... Mar 1, 1993 — John Updike: A Study of the Short Fiction (Twayne's Studies in Short Fiction) ; Or just \$14.32 ; About This Item. Twayne Pub, 1993-03-01. State of Texas Procurement and Contract Management Guide The guide provides a framework for navigating the complexities of Texas procurement law and offers practical, step-by-step guidance to ensure agencies ... State of Texas Procurement and Contract Management Guide Jun 1, 2018 — Page 1. STATE OF TEXAS. PROCUREMENT AND CONTRACT. MANAGEMENT GUIDE. STATEWIDE PROCUREMENT ... manual for implementing the requirements of the ... Procurement and Contract Management Handbook The Office of the Attorney General (OAG) Procurement and Contract. Operations Division (PCO) is responsible for managing the procurement. Procurement & Contract Management Guide Procurement and Contracting Services (PCS) will regularly update this guide, based on changes in contracting laws, regulations, and policies. TMB utilizes the ... Texas Administrative Code Procurement Manual and Contract Management Guide. §20.132, Compliance. §20.133, Training and Certification Program. Link to Texas Secretary of State Home Page ... PROCUREMENT MANUAL This Manual discusses these procurement methods in detail. Texas state law does, however, provide a number of exceptions to procurement requirements. For ... Texas Municipal Procurement Laws Made Easy A city is not required to comply with competitive bidding procedures when purchasing personal property at an auction by a state licensed auctioneer.211. 87 ... Contract Management Handbook Credibility and public confidence are vital throughout the purchasing and contracting system.” The CPA's State of Texas Procurement Manual, Section 1.2. 4.1. Policies and Procedures : Procurement & Strategic Sourcing Texas State Financial Services Procurement & Strategic Sourcing How to Purchase Policies and Procedures. Policies and Procedures. Texas State University ... Texas Administrative Code Purchases of goods and services may be made in accordance with the following provisions. (A) State agencies must solicit at least three informal bids, including ... Emirati Women: Generations of Change: Bristol-Rhys, Jane Based on extensive fieldwork in Abu Dhabi, anthropologist Jane Bristol-Rhys explores crucial domains of experience that constitute daily life for women and ... Emirati Women: Generations of Change by T Decker · 2013 — In

Emirati Women: Generations of Change, Jane Bristol-Rhys draws on eight years of ethnographic research to share knowledge from and about a rarely-studied ... Emirati Women Emirati Women. Generations of Change. Jane Bristol-Rhys. Part of the Power and Politics in the Gulf series. Emirati Women: Generations of Change - Jane Bristol-Rhys In Emirati Women, Bristol-Rhys weaves together eight years of conversations and interviews with three generations of women, her observations of Emirati ... Emirati Women: Generations of Change (Columbia/Hurst) Based on extensive fieldwork in Abu Dhabi, anthropologist Jane Bristol-Rhys explores crucial domains of experience that constitute daily life for women and ... Emirati Women: Generations of Change by Jane Bristol ... by M Hashemi · 2011 — Jane Bristol-Ryhs' Emirati Women: Generations of Change provides a rareglimpse into how the lives of Abu Dhabi women have changed as a result ofthe ... Emirati Women: Generations of Change (review) by A Rugh · 2011 — WOMEN. Emirati Women: Generations of Change, by Jane Bristol-Rhys. New York: Columbia. University Press, 2010. 145 pages. \$40. Reviewed by Andrea Rugh. It is ... "Emirati Women: Generations of Change" by Jane Bristol-Rhys by J Bristol-Rhys · 2010 · Cited by 156 — All Works · Title. Emirati Women: Generations of Change · Author First name, Last name, Institution. Jane Bristol-Rhys, Zayed University · Document Type. Book ... Emirati Women: Generations of Change - Jane Bristol-Rhys The discovery of oil in the late 1960s catapulted Abu Dhabi out of isolating poverty. A boom in construction introduced new sightlines to the city's ... Emirati Women: Generations of Change by M Hashemi · 2011 — Jane Bristol-Ryhs' Emirati Women: Generations of Change provides a rare glimpse into how the lives of Abu Dhabi women have changed as a result of the ...