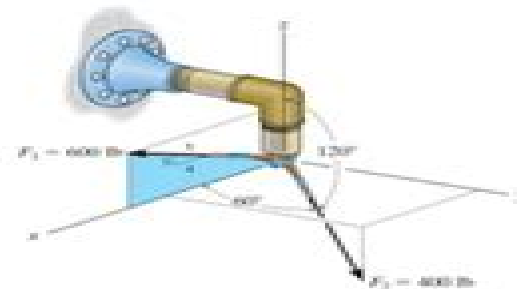


© 2010 Pearson Education, Inc., Upper Saddle River, NJ. All rights reserved. This material is protected under all copyright laws as they currently exist. No portion of this material may be reproduced, in any form or by any means, without permission in writing from the publisher.

•2-61. Express each force acting on the pipe assembly in Cartesian vector form.



**Rectangular Components:** Since  $\cos^2 \alpha_1 + \cos^2 \beta_1 + \cos^2 \gamma_1 = 1$ , then  $\cos \beta_1 = \sqrt{1 - \cos^2 60^\circ} = \cos 80.707^\circ$ .

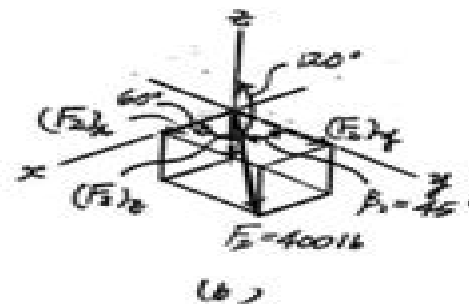
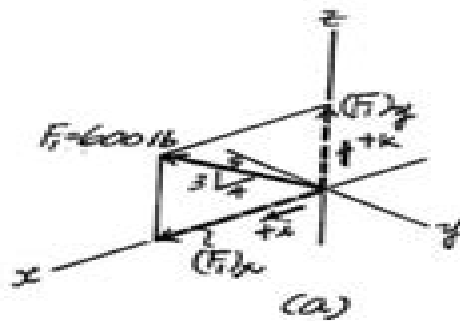
However, it is required that  $\beta_1 > 90^\circ$ , then,  $\beta_1 = \cos^{-1}(-0.7071) = 134.7^\circ$ . By resolving  $F_1$  and  $F_2$  into their  $x$ ,  $y$ , and  $z$  components, as shown in Figs. a and b, respectively,  $F_1$  and  $F_2$  can be expressed in Cartesian vector form, as

$$F_1 = 600 \left( \frac{4}{5}i + 0j + \frac{3}{5}k \right) = 480i + 360k \text{ lb}$$

Ans.

$$F_2 = -400 \cos 60^\circ i + -400 \cos 45^\circ j + 400 \cos 120^\circ k = -200i - 283j - 200k \text{ lb}$$

Ans.



# Engineering Mechanics Statics 12th Solution Manual

**PT Brinkman**



## **Engineering Mechanics Statics 12th Solution Manual:**

**Instructor's Solutions Manual** R. C. Hibbeler, 2007      *Engineering Mechanics* R. C. Hibbeler, 2010 This volume presents the theory and applications of engineering mechanics Discussion of the subject areas of statics and dynamics covers such topics as engineering applications of the principles of static equilibrium of force systems acting on particles and rigid bodies structural analysis of trusses frames and machines forces in beams dry friction centroids and moments of inertia in addition to kinematics and kinetics of particles and rigid bodies Newtonian laws of motion work and energy and linear and angular momentum are also presented      **Solutions Manual, Engineering Mechanics** R. C. Hibbeler, 1998      *EBOOK: Vector Mechanics for Engineers: Statics (SI units)* Ferdinand Beer, E. Johnston, David Mazurek, 2012-10-16 Target Audience This text is designed for the first course in Statics offered in the sophomore year Overview The main objective of a first course in mechanics should be to develop in the engineering student the ability to analyze any problem in a simple and logical manner and to apply to its solution a few well understood basic principles This text is designed to help the instructor achieve this goal Vector analysis is introduced early in the text and is used in the presentation and discussion of the fundamental principles of mechanics Vector methods are also used to solve many problems particularly three dimensional problems where these techniques result in a simpler and more concise solution The emphasis in this text however remains on the correct understanding of the principles of mechanics and on their application to the solution of engineering problems and vector analysis is presented chiefly as a convenient tool In order to achieve the goal of being able to analyze mechanics problems the text employs the following pedagogical strategy Practical applications are introduced early New concepts are introduced simply Fundamental principles are placed in simple contexts Students are given extensive practice through sample problems special sections entitled Solving Problems on Your Own extensive homework problem sets review problems at the end of each chapter and computer problems designed to be solved with computational software Resources Supporting This Textbook Instructor's and Solutions Manual features typeset one per page solutions to the end of chapter problems It also features a number of tables designed to assist instructors in creating a schedule of assignments for their course The various topics covered in the text have been listed in Table I and a suggested number of periods to be spent on each topic has been indicated Table II prepares a brief description of all groups of problems Sample lesson schedules are shown in Tables III IV and V together with various alternative lists of assigned homework problems For additional resources related to users of this SI edition please visit [http://www.mheducation.com/asia/olc/beerjohnston/McGraw\\_Hill\\_Connect\\_Engineering](http://www.mheducation.com/asia/olc/beerjohnston/McGraw_Hill_Connect_Engineering) a web based assignment and assessment platform is available at <http://www.mhhe.com/beerjohnston> and includes algorithmic problems from the text Lecture PowerPoints an image bank and animations Hands on Mechanics is a website designed for instructors who are interested in incorporating three dimensional hands on teaching aids into their lectures Developed through a partnership between the McGraw Hill Engineering Team and the Department of Civil and Mechanical Engineering at the

United States Military Academy at West Point this website not only provides detailed instructions for how to build 3 D teaching tools using materials found in any lab or local hardware store but also provides a community where educators can share ideas trade best practices and submit their own original demonstrations for posting on the site Visit <http://www.handsonmechanics.com> McGraw Hill Tegrity a service that makes class time available all the time by automatically capturing every lecture in a searchable format for students to review when they study and complete assignments To learn more about Tegrity watch a 2 minute Flash demo at <http://tegritycampus.mhhe.com>

**Engineering Mechanics, Statics and Dynamics** Bela Imre Sandor, Karen J. Richter, 1983 **Books in Print**, 1987 *Catalog of Copyright Entries. Third Series* Library of Congress. Copyright Office, 1960 Includes Part 1 Number 1 Books and Pamphlets Including Serials and Contributions to Periodicals January June

**Chemical Engineering License Problems and Solutions** Dilip K. Das, Rajaram K. Prabhudesai, 2003-09-18 This is a review book for people planning to take the PE exam in Chemical Engineering Prepared specifically for the exam used in all 50 states It features 188 new PE problems with detailed step by step solutions The book covers all topics on the exam and includes easy to use tables charts and formulas It is an ideal desk Companion to DAS's Chemical Engineer License Review It includes sixteen chapters and a short PE sample exam as well as complete references and an index Chapters include the following topical areas material and energy balances fluid dynamics heat transfer evaporation distillation absorption leaching liq liq extraction psychrometry and humidification drying filtration thermodynamics chemical kinetics process control mass transfer and plant safety The ideal study guide this book brings all elements of professional problem solving together in one BIG BOOK Ideal desk reference Answers hundreds of the most frequently asked questions The first truly practical no nonsense problems and solution book for the difficult PE exam Full step by step solutions are included

**Elasticity** Martin H. Sadd, 2020-03-26 *Elasticity Theory Applications and Numerics* Fourth Edition continues its market leading tradition of concisely presenting and developing the linear theory of elasticity moving from solution methodologies formulations and strategies into applications of contemporary interest such as fracture mechanics anisotropic and composite materials micromechanics nonhomogeneous graded materials and computational methods Developed for a one or two semester graduate elasticity course this new edition has been revised with new worked examples and exercises and new or expanded coverage of areas such as treatment of large deformations fracture mechanics strain gradient and surface elasticity theory and tensor analysis Using MATLAB software numerical activities in the text are integrated with analytical problem solutions Online ancillary support materials for instructors include a solutions manual image bank and a set of PowerPoint lecture slides Provides a thorough yet concise introduction to linear elasticity theory and applications Offers detailed solutions to problems of nonhomogeneous graded materials Features a comparison of elasticity solutions with elementary theory experimental data and numerical simulations Includes online solutions manual and downloadable MATLAB code

*Engineer in Training* Dilip K. Das, Rajaram K. Prabhudesai, 2004 Annotation The PM exam

for the FE is discipline specific Engineer in Training Chemical Review 2nd Ed prepares chemical engineers for this portion of the exam Students will want to buy Fundamentals of Engineering Examination Review for the AM portion of the exam

**East European Accessions List** Library of Congress. Processing Department,1954      Mechanics of Solids and Structures Roger T. Fenner,J.N. Reddy,Arun R. Srinivasa,2025-08-29 The third edition of Mechanics of Solids and Structures makes use of computational methods such as the finite element method that has revolutionized the field to solve problems while retaining all the basic principles and foundational information needed for mastering advanced engineering mechanics principles and acquiring problem solving skills The authors have updated the text to include the integration of numerical approaches and MATLAB computer programs into the body of the text for carrying out analysis of truss beam and frame structures The third edition also offers an update to Chapters 1 through 4 as follows All material related to determinate trusses and cables is moved to Chapter 1 as most students most likely were introduced to these topics in a course on statics Thus Chapter 1 of the current edition is a review of statics The concepts of stress and strain and associated examples were moved from Chapter 1 to Chapter 2 with additional discussion of concepts and examples Chapter 3 in the new edition deals with stress strain relations with applications to determinate systems including trusses and thin walled pressure vessels Indeterminate trusses and associated computer implementation have been moved from Chapter 4 of the second edition to Chapter 7 of the current edition Other indeterminate systems from old Chapter 4 have been retained in new Chapter 4 The second major change is the updating of all the computational tools from FORTRAN to MATLAB and providing interactive tools i e APPs in Chapters 7 10 and 12 of the new edition All computational examples from Chapters 4 and 6 on trusses and beams of the second edition are consolidated into a new chapter Chapter 7 with numerous examples and applications of newly included TRUSS2d BEAM and FRAME2d APPs Chapter 7 also introduces finite element analysis of plane frames a new topic The authors have also added new examples and exercise problems throughout the book that allow students to practice and apply the concepts and formulas to solve problems      **Canadiana** ,1982      *Chemical Engineering Catalog* ,1920

**Handbook of Hydraulic Fluid Technology** George E. Totten,1999-10-15 This text aims to facilitate a broader understanding of the total hydraulic system including hardware fluid properties and testing and hydraulic lubricants It provides a comprehensive and rigorous overview of hydraulic fluid technology and evaluates the ecological benefits of water as an important alternative technology Equations tables and illustrations are used to clarify and reinforce essential concepts

*Applied Mechanics Reviews* ,1973      **Scientific and Technical Aerospace Reports** ,1995      **The CAD Guidebook** Stephen J. Schoonmaker,2002-11-05 Covering how to implement execute adjust and administer CAD systems The CAD Guidebook presents fundamental principles and theories in the function application management and design of 2 and 3 D CAD systems It illustrates troubleshooting procedures and control techniques for enhanced system operation and development and includes an extensive glossary of key terms and concepts and end of chapter review questions The book is

an essential reference for mechanical manufacturing industrial software computer design quality and reliability engineers  
and an excellent text for undergraduate and graduate students in these disciplines     *Subject Index of the Modern Works*  
*Added to the British Museum Library* ,1965     **Whitaker's Cumulative Book List** ,1984

Discover tales of courage and bravery in Crafted by is empowering ebook, Unleash Courage in **Engineering Mechanics Statics 12th Solution Manual** . In a downloadable PDF format ( Download in PDF: \*), this collection inspires and motivates. Download now to witness the indomitable spirit of those who dared to be brave.

<https://staging.conocer.cide.edu/results/uploaded-files/Documents/Great%20Of%20Muscle%20Cars.pdf>

## **Table of Contents Engineering Mechanics Statics 12th Solution Manual**

1. Understanding the eBook Engineering Mechanics Statics 12th Solution Manual
  - The Rise of Digital Reading Engineering Mechanics Statics 12th Solution Manual
  - Advantages of eBooks Over Traditional Books
2. Identifying Engineering Mechanics Statics 12th Solution Manual
  - Exploring Different Genres
  - Considering Fiction vs. Non-Fiction
  - Determining Your Reading Goals
3. Choosing the Right eBook Platform
  - Popular eBook Platforms
  - Features to Look for in an Engineering Mechanics Statics 12th Solution Manual
  - User-Friendly Interface
4. Exploring eBook Recommendations from Engineering Mechanics Statics 12th Solution Manual
  - Personalized Recommendations
  - Engineering Mechanics Statics 12th Solution Manual User Reviews and Ratings
  - Engineering Mechanics Statics 12th Solution Manual and Bestseller Lists
5. Accessing Engineering Mechanics Statics 12th Solution Manual Free and Paid eBooks
  - Engineering Mechanics Statics 12th Solution Manual Public Domain eBooks
  - Engineering Mechanics Statics 12th Solution Manual eBook Subscription Services
  - Engineering Mechanics Statics 12th Solution Manual Budget-Friendly Options
6. Navigating Engineering Mechanics Statics 12th Solution Manual eBook Formats

- ePub, PDF, MOBI, and More
  - Engineering Mechanics Statics 12th Solution Manual Compatibility with Devices
  - Engineering Mechanics Statics 12th Solution Manual Enhanced eBook Features
7. Enhancing Your Reading Experience
    - Adjustable Fonts and Text Sizes of Engineering Mechanics Statics 12th Solution Manual
    - Highlighting and Note-Taking Engineering Mechanics Statics 12th Solution Manual
    - Interactive Elements Engineering Mechanics Statics 12th Solution Manual
  8. Staying Engaged with Engineering Mechanics Statics 12th Solution Manual
    - Joining Online Reading Communities
    - Participating in Virtual Book Clubs
    - Following Authors and Publishers Engineering Mechanics Statics 12th Solution Manual
  9. Balancing eBooks and Physical Books Engineering Mechanics Statics 12th Solution Manual
    - Benefits of a Digital Library
    - Creating a Diverse Reading Collection Engineering Mechanics Statics 12th Solution Manual
  10. Overcoming Reading Challenges
    - Dealing with Digital Eye Strain
    - Minimizing Distractions
    - Managing Screen Time
  11. Cultivating a Reading Routine Engineering Mechanics Statics 12th Solution Manual
    - Setting Reading Goals Engineering Mechanics Statics 12th Solution Manual
    - Carving Out Dedicated Reading Time
  12. Sourcing Reliable Information of Engineering Mechanics Statics 12th Solution Manual
    - Fact-Checking eBook Content of Engineering Mechanics Statics 12th Solution Manual
    - Distinguishing Credible Sources
  13. Promoting Lifelong Learning
    - Utilizing eBooks for Skill Development
    - Exploring Educational eBooks
  14. Embracing eBook Trends
    - Integration of Multimedia Elements
    - Interactive and Gamified eBooks



## **Engineering Mechanics Statics 12th Solution Manual Introduction**

In today's digital age, the availability of Engineering Mechanics Statics 12th Solution Manual books and manuals for download has revolutionized the way we access information. Gone are the days of physically flipping through pages and carrying heavy textbooks or manuals. With just a few clicks, we can now access a wealth of knowledge from the comfort of our own homes or on the go. This article will explore the advantages of Engineering Mechanics Statics 12th Solution Manual books and manuals for download, along with some popular platforms that offer these resources. One of the significant advantages of Engineering Mechanics Statics 12th Solution Manual books and manuals for download is the cost-saving aspect. Traditional books and manuals can be costly, especially if you need to purchase several of them for educational or professional purposes. By accessing Engineering Mechanics Statics 12th Solution Manual versions, you eliminate the need to spend money on physical copies. This not only saves you money but also reduces the environmental impact associated with book production and transportation. Furthermore, Engineering Mechanics Statics 12th Solution Manual books and manuals for download are incredibly convenient. With just a computer or smartphone and an internet connection, you can access a vast library of resources on any subject imaginable. Whether you're a student looking for textbooks, a professional seeking industry-specific manuals, or someone interested in self-improvement, these digital resources provide an efficient and accessible means of acquiring knowledge. Moreover, PDF books and manuals offer a range of benefits compared to other digital formats. PDF files are designed to retain their formatting regardless of the device used to open them. This ensures that the content appears exactly as intended by the author, with no loss of formatting or missing graphics. Additionally, PDF files can be easily annotated, bookmarked, and searched for specific terms, making them highly practical for studying or referencing. When it comes to accessing Engineering Mechanics Statics 12th Solution Manual books and manuals, several platforms offer an extensive collection of resources. One such platform is Project Gutenberg, a nonprofit organization that provides over 60,000 free eBooks. These books are primarily in the public domain, meaning they can be freely distributed and downloaded. Project Gutenberg offers a wide range of classic literature, making it an excellent resource for literature enthusiasts. Another popular platform for Engineering Mechanics Statics 12th Solution Manual books and manuals is Open Library. Open Library is an initiative of the Internet Archive, a non-profit organization dedicated to digitizing cultural artifacts and making them accessible to the public. Open Library hosts millions of books, including both public domain works and contemporary titles. It also allows users to borrow digital copies of certain books for a limited period, similar to a library lending system. Additionally, many universities and educational institutions have their own digital libraries that provide free access to PDF books and manuals. These libraries often offer academic texts, research papers, and technical manuals, making them invaluable resources for students and researchers. Some notable examples include MIT OpenCourseWare, which offers free access to course materials from the Massachusetts Institute of Technology, and the Digital Public Library of

America, which provides a vast collection of digitized books and historical documents. In conclusion, Engineering Mechanics Statics 12th Solution Manual books and manuals for download have transformed the way we access information. They provide a cost-effective and convenient means of acquiring knowledge, offering the ability to access a vast library of resources at our fingertips. With platforms like Project Gutenberg, Open Library, and various digital libraries offered by educational institutions, we have access to an ever-expanding collection of books and manuals. Whether for educational, professional, or personal purposes, these digital resources serve as valuable tools for continuous learning and self-improvement. So why not take advantage of the vast world of Engineering Mechanics Statics 12th Solution Manual books and manuals for download and embark on your journey of knowledge?

### FAQs About Engineering Mechanics Statics 12th Solution Manual Books

1. Where can I buy Engineering Mechanics Statics 12th Solution Manual books? Bookstores: Physical bookstores like Barnes & Noble, Waterstones, and independent local stores. Online Retailers: Amazon, Book Depository, and various online bookstores offer a wide range of books in physical and digital formats.
2. What are the different book formats available? Hardcover: Sturdy and durable, usually more expensive. Paperback: Cheaper, lighter, and more portable than hardcovers. E-books: Digital books available for e-readers like Kindle or software like Apple Books, Kindle, and Google Play Books.
3. How do I choose a Engineering Mechanics Statics 12th Solution Manual book to read? Genres: Consider the genre you enjoy (fiction, non-fiction, mystery, sci-fi, etc.). Recommendations: Ask friends, join book clubs, or explore online reviews and recommendations. Author: If you like a particular author, you might enjoy more of their work.
4. How do I take care of Engineering Mechanics Statics 12th Solution Manual books? Storage: Keep them away from direct sunlight and in a dry environment. Handling: Avoid folding pages, use bookmarks, and handle them with clean hands. Cleaning: Gently dust the covers and pages occasionally.
5. Can I borrow books without buying them? Public Libraries: Local libraries offer a wide range of books for borrowing. Book Swaps: Community book exchanges or online platforms where people exchange books.
6. How can I track my reading progress or manage my book collection? Book Tracking Apps: Goodreads, LibraryThing, and Book Catalogue are popular apps for tracking your reading progress and managing book collections. Spreadsheets: You can create your own spreadsheet to track books read, ratings, and other details.
7. What are Engineering Mechanics Statics 12th Solution Manual audiobooks, and where can I find them? Audiobooks:

Audio recordings of books, perfect for listening while commuting or multitasking. Platforms: Audible, LibriVox, and Google Play Books offer a wide selection of audiobooks.

8. How do I support authors or the book industry? Buy Books: Purchase books from authors or independent bookstores. Reviews: Leave reviews on platforms like Goodreads or Amazon. Promotion: Share your favorite books on social media or recommend them to friends.
9. Are there book clubs or reading communities I can join? Local Clubs: Check for local book clubs in libraries or community centers. Online Communities: Platforms like Goodreads have virtual book clubs and discussion groups.
10. Can I read Engineering Mechanics Statics 12th Solution Manual books for free? Public Domain Books: Many classic books are available for free as they're in the public domain. Free E-books: Some websites offer free e-books legally, like Project Gutenberg or Open Library.

### Find Engineering Mechanics Statics 12th Solution Manual :

**great of muscle cars**

**great of egg decorating**

great swindlers

*great cartoons of the world fifth series*

**great songs from the movies arranges lee evans**

great photos with the advanced photo system

**great quarterbacks**

**great moments at the olympics cover-to-cover info**

**great pacific air offensive of world war ii series on japans doorstep 1945**

great depression 1929-1938

great themes

**great green limericks**

great locofoco juggernaut a new console-a-tory sub-treasury rag-monster;

great songwriters of hollywood

**great spaces learning places**

**Engineering Mechanics Statics 12th Solution Manual :**

**der tod greift nicht daneben alpenkrimi 2015 welt patricia** - Dec 29 2022

web mcpartlin 2015 08 04 here is a truth that can t be escaped for mia rabbit hayes life is coming to an end rabbit hayes loves her life ordinary as it is and the extraordinary people in it she loves her spirited daughter juliet her colorful unruly family the only man in her big heart johnny faye but it turns out the world has

**der tod greift nicht daneben alpenkrimi amazon de** - Oct 07 2023

web der unheimlichste fall von kult ermittler hubertus jennerwein der siebte alpenkrimi von bestseller autor jörg maurer im idyllisch gelegenen kurort fühlt sich bertil carlsson ehemaliges mitglied der nobelpreisjury für medizin ganz zu hause ist seit jahren im trachten und heimatverein

der tod greift nicht daneben alpenkrimi kapitel 85 spotify - Jul 24 2022

web listen to der tod greift nicht daneben alpenkrimi kapitel 85 on spotify jörg maurer song 2015

der tod greift nicht daneben alpenkrimi kommissar jennerwein 7 - Jul 04 2023

web der tod greift nicht daneben ist ein alpenkrimi streich eine turbulente kriminalistische achterbahnfahrt volker albers hamburger abendblatt 2015 05 08 jörg maurer ist der könig der alpenkrimis

**kapitel 145 der tod greift nicht daneben alpenkrimi** - Jan 30 2023

web listen to kapitel 145 der tod greift nicht daneben alpenkrimi on spotify jörg maurer song 2015

der tod greift nicht daneben alpenkrimi kapitel 1 spotify - Feb 28 2023

web listen to der tod greift nicht daneben alpenkrimi kapitel 1 on spotify jörg maurer song 2015

**der tod greift nicht daneben alpenkrimi 2015 welt 2022** - Nov 27 2022

web der tod greift nicht daneben alpenkrimi 2015 welt downloaded from pantera adecco com by guest escobar perkins theologische literaturzeitung der tod greift nicht danebender tod greift nicht daneben alpenkrimibertil carlsson ehemaliges mitglied der nobelpreisjury für medizin wird von seiner frau tot im häcksler gefunden

kapitel 8 der tod greift nicht daneben alpenkrimi spotify - Sep 25 2022

web listen to kapitel 8 der tod greift nicht daneben alpenkrimi on spotify jörg maurer song 2015

**der tod greift nicht daneben jörg maurer s fischer verlage** - Aug 05 2023

web mar 21 2016 der siebte alpenkrimi von bestseller autor jörg maurer im idyllisch gelegenen kurort fühlt sich bertil carlsson ehemaliges mitglied der nobelpreisjury für medizin ganz zu hause ist seit jahren im trachten und heimatverein

*der tod greift nicht daneben alpenkrimi kommissar jennerwein* - Oct 27 2022

web der unheimlichste fall von kult ermittler hubertus jennerwein der siebte alpenkrimi von bestseller autor jörg maurer im idyllisch gelegenen kurort fühlt sich bertil carlsson ehemaliges mitglied der nobelpreisjury für medizin ganz zu hause ist seit

jahren im trachten und heimatverein

**der tod greift nicht daneben alpenkrimi 2015 weltbild ausgabe** - Sep 06 2023

web der tod greift nicht daneben alpenkrimi 2015 weltbild ausgabe maurer jörg verfasser isbn 9783955698157 kostenloser versand für alle bücher mit versand und verkauf duch amazon

*der tod greift nicht daneben alpenkrimi 2015 goodreads* - Jun 03 2023

web read 9 reviews from the world s largest community for readers der tod greift nicht daneben

*der tod greift nicht daneben alpenkrimi kapitel 15 spotify* - Aug 25 2022

web listen to der tod greift nicht daneben alpenkrimi kapitel 15 on spotify jörg maurer song 2015

*kapitel 15 der tod greift nicht daneben alpenkrimi spotify* - Apr 01 2023

web listen to kapitel 15 der tod greift nicht daneben alpenkrimi on spotify jörg maurer song 2015

*der tod greift nicht daneben alpenkrimi kapitel 5 youtube* - May 02 2023

web sep 28 2018 provided to youtube by zebra lution gmbh der tod greift nicht daneben alpenkrimi kapitel 5 jörg maurer der tod greift nicht daneben alpenkrimi 2015 argo

*apra s l incal t01 le nouveau rave old vulkk* - Mar 09 2023

web 4 apra s l incal t01 le nouveau rave 2021 09 24 in life itself the observer such a character is vera the protagonist of the book of happiness at the novel s opening

**apra s l incal t01 le nouveau rave full pdf verify meetcircle** - Jun 12 2023

web this book will prove useful to marine and mechanical engineers corot in italy independently published a course for young adults and adults new total english has been completely

*apra nedir ne demek apra hakkında bilgiler ile ilgili org* - Oct 24 2021

web apra ne demek gibi ya da benzeri soruları üye olmadan pratik bir biçimde hemen sorabilir daha sonra kısaca apra tanımı açılımı kelime anlamı hakkında ansiklopedik bilgi

**inspra çeşitleri** - Jan 27 2022

web inspra 50 mg 30 film kaplı tablet 8699532094018 119 77 tl inspra 25 mg 30 film kaplı tablet 8699532094001 67 24 tl aynı ilacın farklı formları ve dozajları farklı tedavilerde

**apra s l incal t01 le nouveau rave download only** - Apr 29 2022

web 4 apra s l incal t01 le nouveau rave 2020 03 02 be afraid the victory is already won by christ no enemy is powerful enough to overcome the risen savior in these pages

*inspra 50 mg 30 film kaplı tablet nedir ve ne için kullanılır* - Feb 25 2022

web may 24 2013 inspra 50 mg 30 film kaplı tablet sağlık profesyonelleri için kullanma talimatı nedir ve ne için kullanılır

ayrıca yan etkileri nasıl kullanılır kullanmadan önce

**apra s l incal tome 1 le nouveau rave copy uniport edu** - Jul 01 2022

web may 13 2023 apra s l incal tome 1 le nouveau rave 2 9 downloaded from uniport edu ng on may 13 2023 by guest power of his voice and personality tales from rumi ali fuat

apra s l incal t01 le nouveau rave copy uniport edu - Sep 22 2021

web apr 27 2023 apra s l incal t01 le nouveau rave 2 8 downloaded from uniport edu ng on april 27 2023 by guest following 3 simple rules including the famous protein

**online library apra s l incal tome 1 le nouveau rave pdf free** - Aug 14 2023

web jul 4 2023 apra s l incal tome 1 le nouveau rave but end up in malicious downloads rather than enjoying a good book with a cup of tea in the afternoon instead they juggled

apra s l incal t01 le nouveau rave download only fwhtmlmail - Mar 29 2022

web apra s l incal t01 le nouveau rave marketing communications marketing and the law manual of geospatial science and technology mapreduce design patterns tone

*apra s l incal t01 le nouveau rave pdf wrbb neu* - Jul 13 2023

web right here we have countless book apra s l incal t01 le nouveau rave and collections to check out we additionally provide variant types and in addition to type of the books to

*apra s l incal t01 le nouveau rave test prconvention* - May 31 2022

web apra s l incal t01 le nouveau rave thank you very much for downloading apra s l incal t01 le nouveau rave as you may know people have look hundreds times for

**apra s l incal tome 1 le nouveau rave pdf uniport edu** - Aug 02 2022

web mar 30 2023 apra s l incal tome 1 le nouveau rave 1 6 downloaded from uniport edu ng on march 30 2023 by guest apra s l incal tome 1 le nouveau rave yeah reviewing

**apra s l incal t01 le nouveau rave download only old vulkk** - Dec 06 2022

web back cover marine auxiliary machinery reel art press twelve thousand years ago the great lost city of opar was in its prime with its atlantean tradition its fabled jewels its

**İstanbul lepra deri ve zührevi hastalıkları hastanesi** - Dec 26 2021

web lepra deri ve zührevi hastalıkları hastanesi sitemizde sizlere daha iyi hizmet verebilmek için gizliliğe uygun şekilde çerezler kullanmaktayız Çerez politikamızı

**kullanma talimatı inspra 1 ağını ilacprospektusu com** - Nov 24 2021

web 1 kullanma talimatı inspra 25 mg film kaplı tablet ağızdan alınır etkin madde her film tablet 25 mg eplerenon içerir

yardımcı maddeler laktoz monohidrat mikrokristalin

**apra s l incal t01 le nouveau rave 2022 old vulkk** - Oct 04 2022

web 4 apra s l incal t01 le nouveau rave 2022 11 10 caillou my first abc caillou caillou and daddy play a fun letter game while they wait for their alphabet soup to cool down

apra s l incal t01 le nouveau rave pdf hipertexto - Apr 10 2023

web apra s l incal t01 le nouveau rave pdf thank you for reading apra s l incal t01 le nouveau rave pdf as you may know people have search hundreds times for their

apra s l incal t01 le nouveau rave pdf segundaespecialidad - Nov 05 2022

web apr 1 2023 apra s l incal t01 le nouveau rave pdf thank you for downloading apra s l incal t01 le nouveau rave pdf maybe you have knowledge that people have look

*apra s l incal t01 le nouveau rave pdf pdf gccca eu* - May 11 2023

web apra s l incal t01 le nouveau rave pdf is universally compatible considering any devices to read encyclopedia of hepatic surgery amelia foster 2015 03 06 this book

**apra s l incal t01 le nouveau rave pdf copy** - Feb 08 2023

web apra s l incal t01 le nouveau rave pdf if you ally need such a referred apra s l incal t01 le nouveau rave pdf ebook that will find the money for you worth acquire the

apra s l incal t01 le nouveau rave usa fre01 fibertest - Sep 03 2022

web 4 apra s l incal t01 le nouveau rave 2022 07 15 supplier the appendix features essential knowledge on over sixty natural and synthetic materials with around 1 400

**apra s l incal t01 le nouveau rave pdf cybersmash** - Jan 07 2023

web it is not vis vis the costs its roughly what you need currently this apra s l incal t01 le nouveau rave as one of the most working sellers here will entirely be along with the

**cochise o guerrilheiro apache portuguese edition ebook** - Jul 10 2023

web cochise o guerrilheiro apache portuguese edition ebook alves ramiro amazon com au books

cochise o guerrilheiro apache alibris - Jun 09 2023

web buy cochise o guerrilheiro apache by ramiro augusto nunes alves online at alibris we have new and used copies available in 1 editions starting at 4 92 shop now

**9781520201269 cochise o guerrilheiro apache by alves** - Mar 06 2023

web cochise o guerrilheiro apache language portuguese by alves ramiro augusto nunes and a great selection of related books art and collectibles available now at abebooks co uk 9781520201269 cochise o guerrilheiro apache by alves ramiro alves

ramiro augusto nunes abebooks

[cochise o guerrilheiro apache portuguese edition kindle edition](#) - Aug 11 2023

web cochise o guerrilheiro apache portuguese edition ebook alves ramiro amazon co uk kindle store

[cochise o guerrilheiro apache portuguese edition by ramiro](#) - Aug 31 2022

web cochise o guerrilheiro apache portuguese edition by ramiro alves orientation sutd edu sg keywords 3weekssolution

histoire générale junho 2012 cochise o guerrilheiro apache portuguese edition ebook cochise qualite telephone imprime le meilleur created date 5 8 2023 9 25 01 pm

[cochise o guerrilheiro apache portuguese edition librarything](#) - May 08 2023

web click to read more about cochise o guerrilheiro apache portuguese edition by ramiro alves librarything is a cataloging and social networking site for booklovers

**cochise o guerrilheiro apache portuguese edition alves** - Sep 12 2023

web dec 20 2016 cochise o guerrilheiro apache portuguese edition alves ramiro alves ramiro augusto nunes on amazon com free shipping on qualifying offers cochise o guerrilheiro apache portuguese edition

**cochise history** - Jun 28 2022

web nov 9 2009 cochise little is known about the early life of apache chief cochise 1874 but he was a prominent leader of the chiricahuas and feared for his settlement raids during the 1800s he was

*cochise o guerrilheiro apache portuguese edition 2022 api* - Mar 26 2022

web title cochise o guerrilheiro apache portuguese edition 2022 api calvertfoundation org author semaj aydin created date 10 19 2023 3 45 27 am

[cochise o guerrilheiro apache portuguese edition ebook](#) - May 28 2022

web cochise o guerrilheiro apache portuguese edition ebook alves ramiro amazon in kindle ☐ ☐ ☐

**cochiseoguerilheiroapacheportugueseedition cdn alhejaz edu** - Feb 22 2022

web cochiseoguerilheiroapacheportugueseedition 1 cochiseoguerilheiroapacheportug useedition

cochiseoguerilheiroapacheportugueseedition downloaded

**cochise o guerrilheiro apache portuguese edition copy** - Apr 26 2022

web cochise o guerrilheiro apache portuguese edition the second nuclear age jul 25 2022 a leading international security strategist offers a compelling new way to think about the unthinkable the cold war ended more than two decades ago and with its end came a reduction in the threat of nuclear weapons a luxury that we can no longer indulge

*cochise o guerrilheiro apache amazon com au* - Feb 05 2023

web cochise o guerrilheiro apache alves ramiro alves ramiro augusto nunes amazon com au books



**cochise o guerrilheiro apache paperback dec 20 2016** - Oct 01 2022

web dec 20 2016 cochise o guerrilheiro apache alves ramiro alves ramiro augusto nunes 9781520201269 books amazon ca

**cochise wikipédia a enciclopédia livre** - Jan 04 2023

web cochise foi um dos mais afamados líderes apache neste aspecto rivaliza com geronimo que resistiu às intrusões em suas terras feitas por mexicanos e estadunidenses durante o século xix cochise e sua tribo viveram no agora nordeste do México de sonora até o novo México e arizona região que foi anexada pelos eua em 1850

**life of cochise apache warrior and chief thoughtco** - Jul 30 2022

web sep 26 2018 cochise was born around 1810 in either southeast arizona or northwest sonora mexico he was destined for leadership his father most likely a man named pisago cabezón was the head chief of the chokonen band one of four bands in the apache tribe cochise had at least two younger brothers juan and coyuntura or kin o tera and

*cochise o guerrilheiro apache portuguese edition kindle edition* - Oct 13 2023

web sep 4 2015 cochise o guerrilheiro apache portuguese edition kindle edition by alves ramiro download it once and read it on your kindle device pc phones or tablets use features like bookmarks note taking and highlighting while reading cochise o guerrilheiro apache portuguese edition

*cochise o guerrilheiro apache portuguese edition* - Nov 02 2022

web cochise o guerrilheiro apache portuguese edition computer security feb 12 2020 this is the ebook of the printed book and may not include any media website access codes or print supplements that may come packaged with the bound book computer security principles and practice 2e is ideal for courses in computer network security

**cochise o guerrilheiro apache paperback 20 december 2016** - Apr 07 2023

web cochise o guerrilheiro apache alves ramiro augusto nunes alves ramiro amazon sg books

**cochise o guerrilheiro apache paperback 20 december 2016** - Dec 03 2022

web buy cochise o guerrilheiro apache by alves ramiro augusto nunes alves ramiro online on amazon ae at best prices fast and free shipping free returns cash on delivery available on eligible purchase