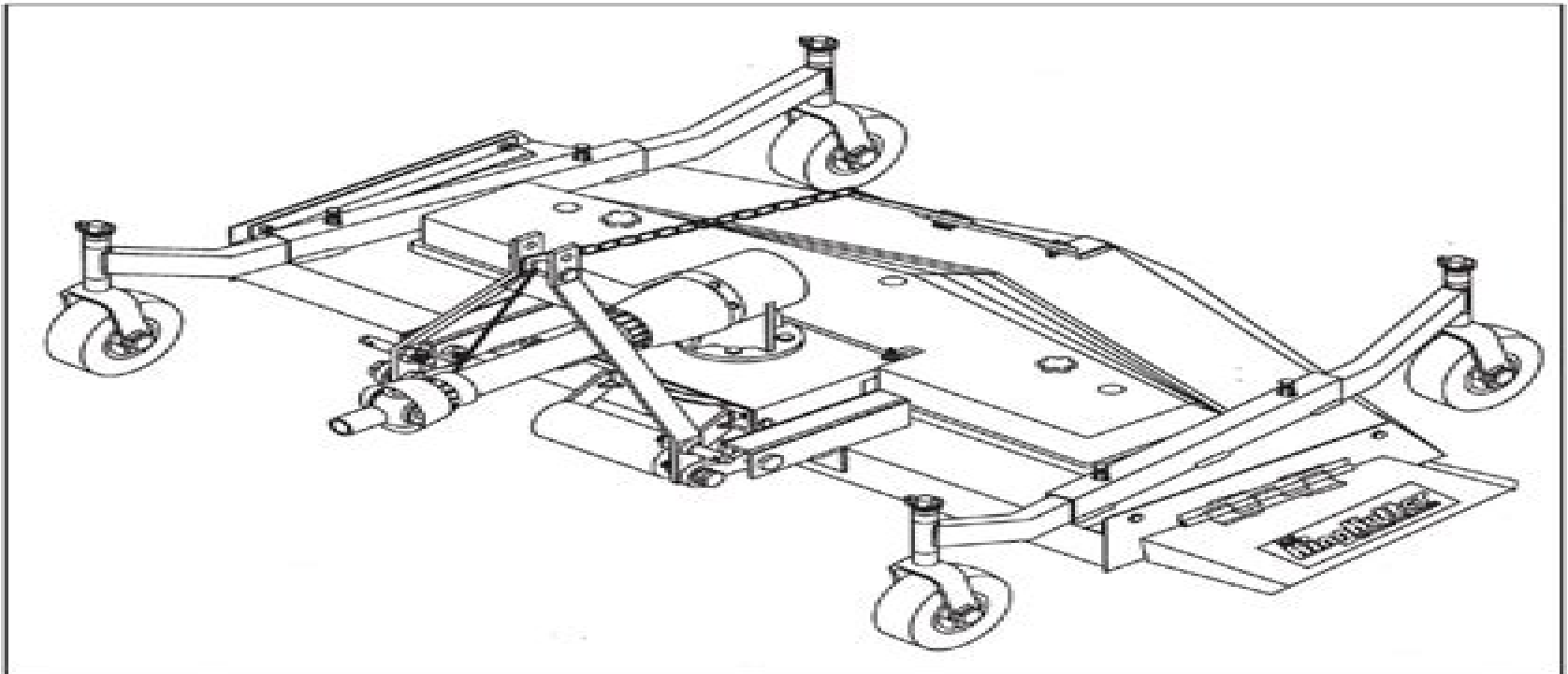


FREE FLOATING FINISHING MOWER



King Kutter Finish Mower Manual

M Tight



King Kutter Finish Mower Manual:

When people should go to the book stores, search inauguration by shop, shelf by shelf, it is in reality problematic. This is why we allow the book compilations in this website. It will entirely ease you to look guide **King Kutter Finish Mower Manual** as you such as.

By searching the title, publisher, or authors of guide you really want, you can discover them rapidly. In the house, workplace, or perhaps in your method can be all best place within net connections. If you mean to download and install the King Kutter Finish Mower Manual, it is totally simple then, since currently we extend the associate to purchase and create bargains to download and install King Kutter Finish Mower Manual in view of that simple!

https://staging.conocer.cide.edu/About/detail/Download_PDFS/honda_wave_100_repair_manual.pdf

Table of Contents King Kutter Finish Mower Manual

1. Understanding the eBook King Kutter Finish Mower Manual
 - The Rise of Digital Reading King Kutter Finish Mower Manual
 - Advantages of eBooks Over Traditional Books
2. Identifying King Kutter Finish Mower Manual
 - Exploring Different Genres
 - Considering Fiction vs. Non-Fiction
 - Determining Your Reading Goals
3. Choosing the Right eBook Platform
 - Popular eBook Platforms
 - Features to Look for in an King Kutter Finish Mower Manual
 - User-Friendly Interface
4. Exploring eBook Recommendations from King Kutter Finish Mower Manual
 - Personalized Recommendations
 - King Kutter Finish Mower Manual User Reviews and Ratings
 - King Kutter Finish Mower Manual and Bestseller Lists

5. Accessing King Kutter Finish Mower Manual Free and Paid eBooks
 - King Kutter Finish Mower Manual Public Domain eBooks
 - King Kutter Finish Mower Manual eBook Subscription Services
 - King Kutter Finish Mower Manual Budget-Friendly Options
6. Navigating King Kutter Finish Mower Manual eBook Formats
 - ePub, PDF, MOBI, and More
 - King Kutter Finish Mower Manual Compatibility with Devices
 - King Kutter Finish Mower Manual Enhanced eBook Features
7. Enhancing Your Reading Experience
 - Adjustable Fonts and Text Sizes of King Kutter Finish Mower Manual
 - Highlighting and Note-Taking King Kutter Finish Mower Manual
 - Interactive Elements King Kutter Finish Mower Manual
8. Staying Engaged with King Kutter Finish Mower Manual
 - Joining Online Reading Communities
 - Participating in Virtual Book Clubs
 - Following Authors and Publishers King Kutter Finish Mower Manual
9. Balancing eBooks and Physical Books King Kutter Finish Mower Manual
 - Benefits of a Digital Library
 - Creating a Diverse Reading Collection King Kutter Finish Mower Manual
10. Overcoming Reading Challenges
 - Dealing with Digital Eye Strain
 - Minimizing Distractions
 - Managing Screen Time
11. Cultivating a Reading Routine King Kutter Finish Mower Manual
 - Setting Reading Goals King Kutter Finish Mower Manual
 - Carving Out Dedicated Reading Time
12. Sourcing Reliable Information of King Kutter Finish Mower Manual
 - Fact-Checking eBook Content of King Kutter Finish Mower Manual
 - Distinguishing Credible Sources
13. Promoting Lifelong Learning

- Utilizing eBooks for Skill Development
 - Exploring Educational eBooks
14. Embracing eBook Trends
- Integration of Multimedia Elements
 - Interactive and Gamified eBooks

King Kutter Finish Mower Manual Introduction

In the digital age, access to information has become easier than ever before. The ability to download King Kutter Finish Mower Manual has revolutionized the way we consume written content. Whether you are a student looking for course material, an avid reader searching for your next favorite book, or a professional seeking research papers, the option to download King Kutter Finish Mower Manual has opened up a world of possibilities. Downloading King Kutter Finish Mower Manual provides numerous advantages over physical copies of books and documents. Firstly, it is incredibly convenient. Gone are the days of carrying around heavy textbooks or bulky folders filled with papers. With the click of a button, you can gain immediate access to valuable resources on any device. This convenience allows for efficient studying, researching, and reading on the go. Moreover, the cost-effective nature of downloading King Kutter Finish Mower Manual has democratized knowledge. Traditional books and academic journals can be expensive, making it difficult for individuals with limited financial resources to access information. By offering free PDF downloads, publishers and authors are enabling a wider audience to benefit from their work. This inclusivity promotes equal opportunities for learning and personal growth. There are numerous websites and platforms where individuals can download King Kutter Finish Mower Manual. These websites range from academic databases offering research papers and journals to online libraries with an expansive collection of books from various genres. Many authors and publishers also upload their work to specific websites, granting readers access to their content without any charge. These platforms not only provide access to existing literature but also serve as an excellent platform for undiscovered authors to share their work with the world. However, it is essential to be cautious while downloading King Kutter Finish Mower Manual. Some websites may offer pirated or illegally obtained copies of copyrighted material. Engaging in such activities not only violates copyright laws but also undermines the efforts of authors, publishers, and researchers. To ensure ethical downloading, it is advisable to utilize reputable websites that prioritize the legal distribution of content. When downloading King Kutter Finish Mower Manual, users should also consider the potential security risks associated with online platforms. Malicious actors may exploit vulnerabilities in unprotected websites to distribute malware or steal personal information. To protect themselves, individuals should ensure their devices have reliable antivirus software installed and validate the legitimacy of the websites they are downloading from. In conclusion, the ability

to download King Kutter Finish Mower Manual has transformed the way we access information. With the convenience, cost-effectiveness, and accessibility it offers, free PDF downloads have become a popular choice for students, researchers, and book lovers worldwide. However, it is crucial to engage in ethical downloading practices and prioritize personal security when utilizing online platforms. By doing so, individuals can make the most of the vast array of free PDF resources available and embark on a journey of continuous learning and intellectual growth.

FAQs About King Kutter Finish Mower Manual Books

What is a King Kutter Finish Mower Manual PDF? A PDF (Portable Document Format) is a file format developed by Adobe that preserves the layout and formatting of a document, regardless of the software, hardware, or operating system used to view or print it. **How do I create a King Kutter Finish Mower Manual PDF?** There are several ways to create a PDF: Use software like Adobe Acrobat, Microsoft Word, or Google Docs, which often have built-in PDF creation tools. Print to PDF: Many applications and operating systems have a "Print to PDF" option that allows you to save a document as a PDF file instead of printing it on paper. Online converters: There are various online tools that can convert different file types to PDF. **How do I edit a King Kutter Finish Mower Manual PDF?** Editing a PDF can be done with software like Adobe Acrobat, which allows direct editing of text, images, and other elements within the PDF. Some free tools, like PDFescape or Smallpdf, also offer basic editing capabilities. **How do I convert a King Kutter Finish Mower Manual PDF to another file format?** There are multiple ways to convert a PDF to another format: Use online converters like Smallpdf, Zamzar, or Adobe Acrobats export feature to convert PDFs to formats like Word, Excel, JPEG, etc. Software like Adobe Acrobat, Microsoft Word, or other PDF editors may have options to export or save PDFs in different formats. **How do I password-protect a King Kutter Finish Mower Manual PDF?** Most PDF editing software allows you to add password protection. In Adobe Acrobat, for instance, you can go to "File" -> "Properties" -> "Security" to set a password to restrict access or editing capabilities. Are there any free alternatives to Adobe Acrobat for working with PDFs? Yes, there are many free alternatives for working with PDFs, such as: LibreOffice: Offers PDF editing features. PDFsam: Allows splitting, merging, and editing PDFs. Foxit Reader: Provides basic PDF viewing and editing capabilities. How do I compress a PDF file? You can use online tools like Smallpdf, ILovePDF, or desktop software like Adobe Acrobat to compress PDF files without significant quality loss. Compression reduces the file size, making it easier to share and download. Can I fill out forms in a PDF file? Yes, most PDF viewers/editors like Adobe Acrobat, Preview (on Mac), or various online tools allow you to fill out forms in PDF files by selecting text fields and entering information. Are there any restrictions when working with PDFs? Some PDFs might have restrictions set by their creator, such as password protection, editing restrictions, or print restrictions. Breaking these

restrictions might require specific software or tools, which may or may not be legal depending on the circumstances and local laws.

Find King Kutter Finish Mower Manual :

~~[honda wave 100 repair manual](#)~~

[honda vt700c vt750c shadow service repair manual 1983 1985](#)

~~[honda vtx 1300 uk](#)~~

[honda umk431 manual](#)

[honda xr2600 manual fitting](#)

[honda z50ae manual](#)

[honda xr 400 r service motorcycle repair manual](#)

[honda trx500fa rubicon 2001 2002 2003 service repair manual](#)

~~[honda trx 90 four wheeler manual](#)~~

~~[honeywell 6220d manual](#)~~

[honeywell chronotherm iv plus manual t8611g2002](#)

~~[honda xr50r service manual](#)~~

[honda trx350tm trx350te rancher full service repair manual 2000 2003](#)

~~[honda vtx 1300 user manual](#)~~

[honda vt500c service repair manual 1983 1987](#)

King Kutter Finish Mower Manual :

Amazon.com: Astrology/Karma & Transformation 2nd Ed This insightful and original book focuses on the understanding and use of astrology as a tool for spiritual and psychological growth. Astrology, Karma & Transformation: The Inner Dimensions ... This book takes a positive, helpful view of the topic of karma as it can be understood through astrology. There is a particular focus on the outer planets, ... Astrology, Karma & Transformation: The Inner Dimensions ... Jan 1, 1978 — This insightful and original book focuses on the understanding and use of astrology as a tool for spiritual and psychological growth. Astrology, Karma & Transformation by Stephen Arroyo, Pacia ... The chart shows what we are now because of what we have thought and done in the past. These age-old, deeply-entrenched patterns are not easily changed. Let this ... Astrology, Karma and Transformation: The Inner ... Astrology, Karma and Transformation: The Inner Dimensions of the Birth

Chart by Arroyo, Stephen - ISBN 10: 0916360032 - ISBN 13: 9780916360030 - CRCS ... Astrology/Karma & Transformation 2nd Ed This insightful and original book focuses on the understanding and use of astrology as a tool for spiritual and psychological growth. Astrology, Karma & Transformation: The Inner Dimensions ... This insightful and original book focuses on the understanding and use of astrology as a tool for spiritual and psychological growth. Stephen Arroyo Astrology/Karma & Transformation 2nd Ed Stephen Arroyo (born October 6, 1946 in Kansas City, Missouri) is an American author and astrologer. Arroyo has written seven books on psychologically ... Astrology/Karma & Transformation 2nd Ed (Paperback) Nov 1, 1992 — This insightful and original book focuses on the understanding and use of astrology as a tool for spiritual and psychological growth. In ... Astrology, Karma & Transformation: The Inner Dimensions ... Arroyo has written seven books on psychologically oriented astrology which outline his theory that the individual's experience of the Solar System's impacts on ... Workshop manual for Vauxhall Holden Viva HB series ... You are purchasing a Workshop manual for Vauxhall Holden Viva HB series 1967-1969. Used service manual as shown in the photos. Holden Viva Factory Workshop Manual 2002-2008 ... Holden Viva was sold in Australia as a rebadged Daewoo Lacetti, this manual covers the Daewoo Lacetti. ENGINES - Petrol/Gasoline. 1.4L DOHC F14D Vauxhall Viva HB and Holden Torana HB Workshop ... Vauxhall Viva HB and Holden Torana HB Workshop Manual, 1967-69 ; Publisher. Inter-Europe ; Publication date. October 1, 1970 ; ISBN-10. 0901610178 ; ISBN-13. 978- ... HOLDEN Workshop Repair Manuals Holden Workshop Repair Manuals and Wiring Diagrams. The same workshop repair and service manuals used by Holden garages worldwide. Download Now! Holden Viva Repair & Service Manuals (2 PDF's 2 Holden Viva Workshop, Owners, Service and Repair Manuals. Updated - September 23. We have 2 Holden Viva manuals covering a total of 3 years of production ... Vauxhall Viva HB and Holden Torana HB Workshop ... Vauxhall Viva HB and Holden Torana HB Workshop Manual, 1967-69 by Russek, Peter - ISBN 10: 0901610178 - ISBN 13: 9780901610171 - Inter-Europe - 1970 ... Holden Viva owner's manual Holden Viva owner's manuals. Below you can find links to download for free the owner's manual of your Holden Viva. Manuals from 2005 to 2009. New & Used in holden viva workshop manual in Australia holden viva workshop manual | Find new and used Cars, Vans & Utes for Sale in Australia. Buy and sell almost anything on Gumtree classifieds. I have a Holden Viva JF 2007 so far diagnosed with error Feb 23, 2021 — Hi I have a Holden Viva JF 2007 so far diagnosed with error message: P0700 (TCM) Transmission Control Module. I am looking for a repair manual ... (ADOS®-2) Autism Diagnostic Observation Schedule, ... Autism Diagnostic Observation Schedule, Second Edition (ADOS-2) accurately assesses ASD across age, developmental level & language skills. Buy today! Autism Diagnostic Observation Schedule - Second Edition ADOS-2 manual. Accurately assess and diagnose autism spectrum disorders across age, developmental level, and language skills. ADOS-2 manual. Choose from our ... ADOS-2 - Autism Diagnostic Observation Schedule, 2nd ... Like its predecessor, the ADOS, ADOS-2 is a semi-structured, standardised assessment of communication, social interaction, play, and restricted and repetitive ... ADOS 2 Manual - ACER Shop The

Autism Diagnostic Observation Schedule - Second Edition (ADOS-2) is a semistructured, standardised assessment of communication, social interaction, ... Autism Diagnostic Observation Schedule, Second Edition ADOS-2 is used to assess and diagnose autism spectrum disorders across age, developmental level and language skills. Autism Diagnostic Observation Schedule, Second Edition ... by A McCrimmon · 2014 · Cited by 121 — (2012). Autism diagnostic observation schedule, second edition (ADOS-2) manual (Part II): Toddler module. Torrance, CA: Western Psychological Services. Autism Diagnostic Observation Schedule ADOS 2 Manual Jan 1, 2014 — The manual provides the user with information on the theoretical background, development, administration, scoring, applications, ... (PDF) Test Review: Autism Diagnostic Observation ... PDF | On Dec 16, 2013, Adam McCrimmon and others published Test Review: Autism Diagnostic Observation Schedule, Second Edition (ADOS-2) Manual (Part II): ... Autism Diagnostic Observation Schedule, Second Edition ... by A McCrimmon · 2014 · Cited by 121 — Autism diagnostic observation schedule, second edition (ADOS-2) manual (Part II): Toddler module. Torrance, CA: Western Psychological Services. Google Scholar. Autism Diagnostic Observation Schedule, 2nd Edition ... Jun 23, 2020 — The Autism Diagnostic Observation Schedule , 2nd Edition (ADOS -2) is a highly recognized evaluative measure for diagnosing Autism Spectrum ...