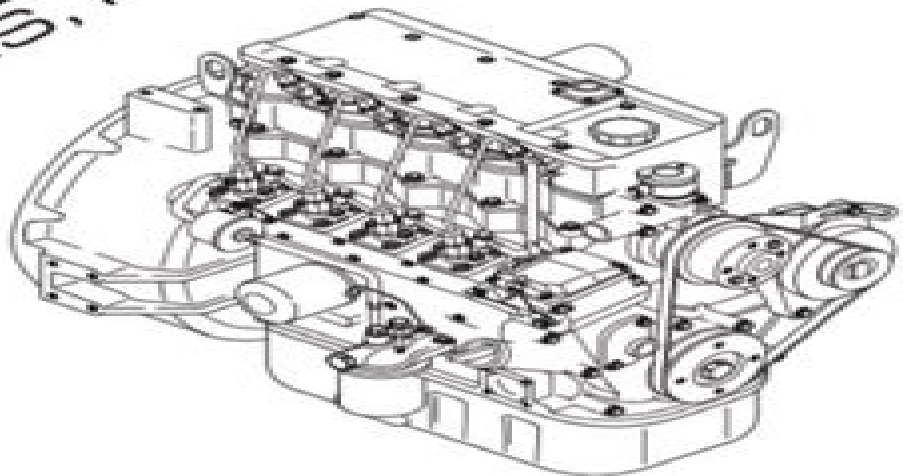


0D9255

**GENERAC®**  
POWER SYSTEMS, INC.



**2.2** LITER  
DIESEL

*ISUZU*

***ENGINE  
PARTS  
MANUAL***

# Isuzu 4marine Engine Manual

**J Elliott**



## **Isuzu 4marine Engine Manual:**

Eventually, you will definitely discover a additional experience and expertise by spending more cash. nevertheless when? do you admit that you require to get those all needs behind having significantly cash? Why dont you try to acquire something basic in the beginning? Thats something that will lead you to understand even more not far off from the globe, experience, some places, following history, amusement, and a lot more?

It is your completely own epoch to accomplish reviewing habit. in the midst of guides you could enjoy now is **Isuzu 4marine Engine Manual** below.

[https://staging.conocer.cide.edu/public/browse/fetch.php/jack\\_keller\\_wine\\_recipe.pdf](https://staging.conocer.cide.edu/public/browse/fetch.php/jack_keller_wine_recipe.pdf)

## **Table of Contents Isuzu 4marine Engine Manual**

1. Understanding the eBook Isuzu 4marine Engine Manual
  - The Rise of Digital Reading Isuzu 4marine Engine Manual
  - Advantages of eBooks Over Traditional Books
2. Identifying Isuzu 4marine Engine Manual
  - Exploring Different Genres
  - Considering Fiction vs. Non-Fiction
  - Determining Your Reading Goals
3. Choosing the Right eBook Platform
  - Popular eBook Platforms
  - Features to Look for in an Isuzu 4marine Engine Manual
  - User-Friendly Interface
4. Exploring eBook Recommendations from Isuzu 4marine Engine Manual
  - Personalized Recommendations
  - Isuzu 4marine Engine Manual User Reviews and Ratings
  - Isuzu 4marine Engine Manual and Bestseller Lists
5. Accessing Isuzu 4marine Engine Manual Free and Paid eBooks

- Isuzu 4marine Engine Manual Public Domain eBooks
  - Isuzu 4marine Engine Manual eBook Subscription Services
  - Isuzu 4marine Engine Manual Budget-Friendly Options
6. Navigating Isuzu 4marine Engine Manual eBook Formats
    - ePub, PDF, MOBI, and More
    - Isuzu 4marine Engine Manual Compatibility with Devices
    - Isuzu 4marine Engine Manual Enhanced eBook Features
  7. Enhancing Your Reading Experience
    - Adjustable Fonts and Text Sizes of Isuzu 4marine Engine Manual
    - Highlighting and Note-Taking Isuzu 4marine Engine Manual
    - Interactive Elements Isuzu 4marine Engine Manual
  8. Staying Engaged with Isuzu 4marine Engine Manual
    - Joining Online Reading Communities
    - Participating in Virtual Book Clubs
    - Following Authors and Publishers Isuzu 4marine Engine Manual
  9. Balancing eBooks and Physical Books Isuzu 4marine Engine Manual
    - Benefits of a Digital Library
    - Creating a Diverse Reading Collection Isuzu 4marine Engine Manual
  10. Overcoming Reading Challenges
    - Dealing with Digital Eye Strain
    - Minimizing Distractions
    - Managing Screen Time
  11. Cultivating a Reading Routine Isuzu 4marine Engine Manual
    - Setting Reading Goals Isuzu 4marine Engine Manual
    - Carving Out Dedicated Reading Time
  12. Sourcing Reliable Information of Isuzu 4marine Engine Manual
    - Fact-Checking eBook Content of Isuzu 4marine Engine Manual
    - Distinguishing Credible Sources
  13. Promoting Lifelong Learning
    - Utilizing eBooks for Skill Development

- Exploring Educational eBooks
- 14. Embracing eBook Trends
  - Integration of Multimedia Elements
  - Interactive and Gamified eBooks

### **Isuzu 4marine Engine Manual Introduction**

Isuzu 4marine Engine Manual Offers over 60,000 free eBooks, including many classics that are in the public domain. Open Library: Provides access to over 1 million free eBooks, including classic literature and contemporary works. Isuzu 4marine Engine Manual Offers a vast collection of books, some of which are available for free as PDF downloads, particularly older books in the public domain. Isuzu 4marine Engine Manual : This website hosts a vast collection of scientific articles, books, and textbooks. While it operates in a legal gray area due to copyright issues, its a popular resource for finding various publications. Internet Archive for Isuzu 4marine Engine Manual : Has an extensive collection of digital content, including books, articles, videos, and more. It has a massive library of free downloadable books. Free-eBooks Isuzu 4marine Engine Manual Offers a diverse range of free eBooks across various genres. Isuzu 4marine Engine Manual Focuses mainly on educational books, textbooks, and business books. It offers free PDF downloads for educational purposes. Isuzu 4marine Engine Manual Provides a large selection of free eBooks in different genres, which are available for download in various formats, including PDF. Finding specific Isuzu 4marine Engine Manual, especially related to Isuzu 4marine Engine Manual, might be challenging as theyre often artistic creations rather than practical blueprints. However, you can explore the following steps to search for or create your own Online Searches: Look for websites, forums, or blogs dedicated to Isuzu 4marine Engine Manual, Sometimes enthusiasts share their designs or concepts in PDF format. Books and Magazines Some Isuzu 4marine Engine Manual books or magazines might include. Look for these in online stores or libraries. Remember that while Isuzu 4marine Engine Manual, sharing copyrighted material without permission is not legal. Always ensure youre either creating your own or obtaining them from legitimate sources that allow sharing and downloading. Library Check if your local library offers eBook lending services. Many libraries have digital catalogs where you can borrow Isuzu 4marine Engine Manual eBooks for free, including popular titles. Online Retailers: Websites like Amazon, Google Books, or Apple Books often sell eBooks. Sometimes, authors or publishers offer promotions or free periods for certain books. Authors Website Occasionally, authors provide excerpts or short stories for free on their websites. While this might not be the Isuzu 4marine Engine Manual full book , it can give you a taste of the authors writing style. Subscription Services Platforms like Kindle Unlimited or Scribd offer subscription-based access to a wide range of Isuzu 4marine Engine Manual eBooks, including some popular titles.

### FAQs About Isuzu 4marine Engine Manual Books

How do I know which eBook platform is the best for me? Finding the best eBook platform depends on your reading preferences and device compatibility. Research different platforms, read user reviews, and explore their features before making a choice. Are free eBooks of good quality? Yes, many reputable platforms offer high-quality free eBooks, including classics and public domain works. However, make sure to verify the source to ensure the eBook credibility. Can I read eBooks without an eReader? Absolutely! Most eBook platforms offer web-based readers or mobile apps that allow you to read eBooks on your computer, tablet, or smartphone. How do I avoid digital eye strain while reading eBooks? To prevent digital eye strain, take regular breaks, adjust the font size and background color, and ensure proper lighting while reading eBooks. What the advantage of interactive eBooks? Interactive eBooks incorporate multimedia elements, quizzes, and activities, enhancing the reader engagement and providing a more immersive learning experience. Isuzu 4marine Engine Manual is one of the best book in our library for free trial. We provide copy of Isuzu 4marine Engine Manual in digital format, so the resources that you find are reliable. There are also many Ebooks of related with Isuzu 4marine Engine Manual. Where to download Isuzu 4marine Engine Manual online for free? Are you looking for Isuzu 4marine Engine Manual PDF? This is definitely going to save you time and cash in something you should think about.

### Find Isuzu 4marine Engine Manual :

#### **jack keller wine recipe**

[jaguar x100 1996 2006 workshop service repair manual](#)

[jan 2009 f211 past paper grade boundaries](#)

[jacques pepin emeril live potato recipe](#)

[jab admission board 2014 2015](#)

[jaguar x type diesel service manual](#)

#### **j c hull solutions manual**

[j weston walch gas law problems answers](#)

[jacques derrida key concepts](#)

[jaguar xk8 xkr complete workshop service repair manual 1997 1998](#)

[jaguar cooling system diagram](#)

#### **jaguar s type x200 2003 2008 shop service repair manual**

[jacob jensen t 5 manual](#)

**jaguar xj40 manual transmission**

[jacorb programming guide](#)

**Isuzu 4marine Engine Manual :**

[plague ship the oregon files amazon com](#) - Sep 05 2023

web feb 24 2009 audio cd 3 25 14 used from 3 25 chairman juan cabrillo and the rest of the corporation s mercenaries fight to stop a corrupt activist group from unleashing a

*plague ship oregon files 5 by clive cussler* - Oct 06 2023

web jun 3 2008 4 08 11 886 ratings482 reviews for four novels clive cussler has charted the exploits of the oregon a covert ship completely dilapidated on the outside but on the inside packed with sophisticated weaponry and intelligence gathering equipment

*plague ship a novel of the oregon files amazon co uk* - Feb 27 2023

web summary clive cussler s fifth oregon files novel plague ship pits juan cabrillo against a deadly adversary in a norwegian glacier during world war two a nazi officer makes

**plague ship oregon files 5 the oregon files kindle edition** - May 21 2022

web plague ship a novel of the oregon files audible audio edition jack du brul scott brick clive cussler penguin audio amazon ca books

**plague ship a novel of the oregon files worldcat org** - Nov 14 2021

**plague ship by clive cussler open library** - Aug 24 2022

web plague ship a novel of the oregon files 9780425228562 books amazon ca skip to main content ca hello select your address books select the department you want to

*plague ship oregon files 5 google play* - Sep 24 2022

web may 28 2023 the crew of the oregon has just completed a top secret mission against iran in the persian gulf when they come across a cruise ship adrift in the sea hundreds of

*plague ship a novel of the oregon files paperback amazon com* - Aug 04 2023

web feb 24 2009 amazon com plague ship a novel of the oregon files 9781594133107 dubrul clive cussler with jack books

*plague ship a novel of the oregon files amazon com* - May 01 2023

web jun 3 2008 5 of 5 stars for the fiction novel plague ship oregon files 5 by clive cussler first you need a little background on the oregon imagine a very old run down



*plague ship a novel of the oregon files worldcat org* - Nov 26 2022

web plague ship a novel from the oregon files clive cussler jack du brul the crew of the oregon has just completed a top secret mission against iran in the persian gulf when

**livros encontrados sobre clive cussler plague ship a novel from** - Jan 17 2022

web plague ship is a science fiction novel by andre norton under the pseudonym andrew north it was published in 1956 by gnome press in an edition of 5 000 copies the book

**plague ship a novel of the oregon files worldcat org** - Jun 21 2022

web kindle edition clive cussler s fifth oregon files novel plague ship pits juan cabrillo against a deadly adversary in a norwegian glacier during world war two a nazi officer

plague ship clive cussler jack du brul google books - Mar 31 2023

web buy plague ship a novel of the oregon files by cussler clive du brul jack isbn 9780399154973 from amazon s book store everyday low prices and free delivery on

**plague ship a novel of the oregon files colorado** - Mar 19 2022

web plague ship a novel of the oregon files by dubrul clive cussler with jack and a great selection of related books art and collectibles available now at abebooks com

**plague ship a novel of the oregon files google books** - Jul 03 2023

web the crew of the oregon has just completed a top secret mission against iran in the persian gulf when they come across a cruise ship adrift in the sea hundreds of bodies litter its

plague ship a novel of the oregon files audible audiobook - Apr 19 2022

web plague ship a novel of the oregon files book author cussler clive contributors du brul jack b novelist series oregon files volume 5 published new york g p

plague ship penguin books uk - Jan 29 2023

web jan 18 2011 plague ship has all the exciting intrigue and fast paced escapades of the crew of the oregon juan cabrillo the ship s captain leads the way as cussler s hero

plague ship a novel from the oregon files worldcat org - Oct 26 2022

web clive cussler s fifth oregon files novel plague ship pits juan cabrillo against a deadly adversary in a norwegian glacier during world war two a nazi officer makes an

plague ship a novel of the oregon files bookreporter com - Dec 28 2022

web plague ship a novel of the oregon files authors clive cussler jack b du brul summary the oregon crew captained by juan cabrillo has just completed a top

**plague ship wikipedia** - Dec 16 2021

web get this from a library plague ship a novel of the oregon files clive cussler the crew of the oregon has just completed a top secret mission against iran in the persian gulf

**plague ship a novel of the oregon files paperback** - Jul 23 2022

web plague ship a novel of the oregon files authors clive cussler jack b du brul jason culp summary captain juan cabrillo and and the crew of his intelligence gathering

**plague ship novel oregon abebooks** - Feb 15 2022

web milhares de livros encontrados sobre clive cussler plague ship a novel from the oregon files no maior acervo de livros do brasil encontre aqui obras novas exemplares usados

*plague ship a novel of the oregon files google books* - Jun 02 2023

web the crew has just completed a top secret mission against iran in the persian gulf when they come across a cruise ship adrift at sea hundreds of bodies litter its deck and as

**complete genome analysis of the novel alcaligenes faecalis** - Nov 07 2022

web feb 3 2022 *alcaligenes faecalis* is an obligate aerobe that is commonly found in the environment it is a gram negative rod shaped bacterium without pigment and it is motile with peritrichous flagella 1 this bacterium is an opportunistic pathogen that can cause serious infections

unknown laboratory report alcaligenes faecalis 5 studocu - Jun 14 2023

web unknown bacteria 5 was *alcaligenes faecalis* many cultural morphological and physiological characteristics which make it easier to determine the unknown species and its capability is given different environments

**extensively drug resistant alcaligenes faecalis infection biomed** - May 13 2023

web the best sensitivity rate to *alcaligenes faecalis* was 66 7 for three antibiotics imipenem meropenem and ceftazidime in 2019 two antibiotics ciprofloxacin and piperacillin tazobactam sensitivity rates to a *faecalis* were less than 50

**gene expression analysis of alcaligenes faecalis during induction** - Feb 10 2023

web nov 29 2021 *alcaligenes faecalis* is a heterotrophic nitrifying bacterium that oxidizes ammonia and generates nitrite and nitrate

**alcaligenes faecalis lab report 1481 words cram** - Dec 28 2021

web the results of the gram negative tests lead to the identification of the bacteria *alcaligenes faecalis* the gram stain procedure was the first test performed by isolating a colony from the pure culture streak plate the gram stain was followed orderly right from the referenced laboratory manual

**alcaligenes mikrobiyoloji** - Apr 12 2023

web alcaligenes bu cins içerisinde alcaligenes faecalis alcaligenes xylosoxidans türleri bulunur Önemli olan türü a faecalis dir hareketli gram negatif kapsülsüz sporsuz aerop 0 5 2 6 µm boy ve 0 5 1 µm ende tekli veya kısa zincirli kokobasillerdir

**extensively drug resistant alcaligenes faecalis infection bmc** - Jul 15 2023

web nov 11 2020 extensively drug resistant infections have been reported since 2018 the best sensitivity rate to alcaligenes faecalis was 66 7 for three antibiotics imipenem meropenem and ceftazidime in 2019 two antibiotics ciprofloxacin and piperacillin tazobactam sensitivity rates to a faecalis were less than 50

**biochemical test of alcaligenes faecalis subsp faecalis microbe** - Feb 27 2022

web apr 10 2022 biochemical test of alcaligenes faecalis subsp faecalis they are non capsulated catalase ve citrate ve flagellated gram ve bacteria

**alcaligenes faecalis an overview sciencedirect topics** - Jan 09 2023

web clinical signs and pathology infection with bordetella is most likely persistent the morbidity is unknown some infected mice may develop dyspnoea at necropsy there may be mild bronchopneumonia microscopically bronchiectasis and bronchopneumonia resembles that produced by infection with car bacillus

**misidentification of acinetobacter baumannii as alcaligenes faecalis** - Jul 03 2022

web dec 1 2017 alcaligenes faecalis a faecalis was identified from four individual patient clinical samples two sputum and two urine that were cultured on macconkey agar after 24 hours of incubation round shaped and colorless colonies were observed image 1

*lab report alcaligenes faecalis harvard university* - Jan 29 2022

web it is your categorically own time to accomplishment reviewing habit along with guides you could enjoy now is lab report alcaligenes faecalis below clinical laboratory methods john d bauer 1982 diseases of poultry 2 volume set martine boulianne 2019 11 19 the most complete and definitive reference to all aspects of poultry

genomic and resistome analysis of alcaligenes faecalis strain - Dec 08 2022

web apr 20 2022 alcaligenes faecalis a faecalis is a gram negative rod shaped motile and obligate aerobe as an oxidase catalase and citrate positive bacteria it is widely distributed in the soil water and elsewhere in the environment

**first report of qnr and bla producing clinical alcaligenes faecalis** - Mar 11 2023

web first report of qnr and bla vim 4 like producing clinical alcaligenes faecalis isolated in türkiye türkiye den izole edilen qnr ve bla vim 4 like üreten klinik alcaligenes faecalis in ilk raporu esma akyıldız1 a ayşegül saral sariyer2 b tuba köse3 c mikail arslan3 d fatih şaban beriş4 e azer Özad düzgün 5 f

*a novel alcaligenes faecalis antibacterial producing strain isolated* - Sep 05 2022

web laboratory of microbial biotechnology department of biology faculty of sciences and technology university sidi mohamed

ben abdellah bp 2202 road of immouzer fez morocco bw1 was identified as *alcaligenes faecalis* on the basis of phenotypic characteristics biochemical analyses and pcr amplification of 16 s ribosomal rna

*genome sequencing and analysis of alcaligenes faecalis subsp* - Oct 06 2022

web feb 26 2018 abstract bacteria within the genus *alcaligenes* exhibit diverse properties but remain largely unexplored at genome scale to shed light on the genome structure heterogeneity and traits of *alcaligenes* species the genome of a tannery effluent isolated *alcaligenes faecalis* subsp *phenolicus* mb207 was sequenced and assembled

extensively drug resistant *alcaligenes faecalis* infection pmc - Aug 16 2023

web nov 11 2020 extensively drug resistant infections have been reported since 2018 the best sensitivity rate to *alcaligenes faecalis* was 66.7 for three antibiotics imipenem meropenem and ceftazidime in 2019 two antibiotics ciprofloxacin and piperacillin tazobactam sensitivity rates to a *faecalis* were less than 50

**frontiers lymphoid tissue resident *alcaligenes* establish an** - Aug 04 2022

web sep 24 2020 regarding an underlying mechanism a *faecalis* unlike *e coli* did not induce intracellular nitric oxide no production in dcs due to the low activity of its lipopolysaccharide lps therefore a *faecalis* an example of lracs may persist within intestinal lymphoid tissue because they elicit little no production in dcs

*alcaligenes faecalis* unknowns report course hero - Mar 31 2022

web yes 1 notes explanations optional using my flowchart i was able to determine this unknown to be *alcaligenes faecalis* using two different conformational tests i was able to further support my findings and confirm the presence of *alcaligenes faecalis* as one of the a 1 unknowns 2

*draft genome sequence of alcaligenes faecalis strain iitr89* - Jun 02 2022

web mar 3 2016 we report the draft genome sequence of *alcaligenes faecalis* strain iitr89 a bacterium able to form indigo by utilizing indole as the sole carbon source the *alcaligenes* species is increasingly reported for biodegradation of diverse toxicants and thus complete sequencing may provide insight into bio

*alcaligenes faecalis* an overview sciencedirect topics - May 01 2022

web biology *b hinzii* is closely related to *b avium* which was previously known as *alcaligenes faecalis* diagnostic reports of *b avium* should be carefully considered to insure that *b avium* was properly differentiated from *b hinzii* epidemiology and prevalence

**kiki smith prints books things amazon co uk** - Mar 10 2023

web kiki smith prints books and other things accompanies an exhibition devoted to this underacknowledged but crucial dimension of her art synopsis may belong to another

kiki smith online art cyclopedia - Nov 25 2021

*kiki smith prints books things google books* - Sep 23 2021

*kiki smith prints books things hardcover 27 october 2003* - Sep 04 2022

web kiki smith prints books things by wendy weitman at abebooks co uk isbn 10 0870705830 isbn 13 9780870705830 the museum of modern art new york 2003

kiki smith prints books and things amazon com - Apr 11 2023

web the museum of modern art 2003 prints 150 pages well known as a sculptor kiki smith has also worked extensively as a printmaker in fact her printed works and other

**kiki smith prints books things wendy weitman** - Jun 01 2022

web buy kiki smith prints books and things by kiki smith wendy weitman text by online at alibris we have new and used copies available in 1 editions starting at

**kiki smith prints books and things by wendy** - Feb 09 2023

web kiki smith brochure prints books things december 5 2003 march 8 2004 text wendy weitman author smith kiki 1954 date 2003 publisher the museum of

kiki smith prints books things prints books and things - Aug 03 2022

web kiki smith prints books and things by weitman wendy and a great selection of related books art and collectibles available now at abebooks com

**kiki smith prints books and things by wendy weitman** - Oct 25 2021

*kiki smith prints books and things artbook d a p* - Oct 05 2022

web the exhibition and accompanying catalogue kiki smith prints books and things 2003 showcase the scope of smith s printed art and present it thematically focusing

kiki smith prints books things jstor - May 12 2023

web oct 27 2003 kiki smith prints books and other things accompanies an exhibition devoted to this underacknowledged but crucial dimension of her art

**kiki smith prints books and things alibris** - Feb 26 2022

web pbs profile from art 21 art in the 21st century the charlie rose interview show pbs kiki smith participates in a 2000 discussion about pace wildenstein gallery youtube

**kiki smith brochure prints books things moma** - Nov 06 2022

web books like kiki smith prints books things prints books and things find out more recommended books with our spot on

books app

**moma org interactives exhibitions 2003 kiki smith prints** - Jul 02 2022

web well known as a sculptor kiki smith has also worked extensively as a printmaker in fact her printed works and other editioned art including books and multiples are arguably

**kiki smith prints books abebooks** - Apr 30 2022

web in 1988 she created all souls a fifteen foot screen print work featuring repetitive images of a fetus an image smith found in a japanese anatomy book smith printed the

*kiki smith prints books and things david krut books* - Mar 30 2022

web moma museum of modern art kiki smith prints books and things written by james w yood james yood was associate professor of art history theory and criticism at

*kiki smith prints books and things moma* - Jul 14 2023

web audio from kiki smith prints books and things hear the artist speak about her work caption the museum of modern art renovation and expansion designed by diller

kiki smith prints books and things moma - Jun 13 2023

web of modern art s moma catalogue kiki smith prints books things by curator wendy weitman moma director glenn d lowry referred to the 150 page lavishly illustrated

**kiki smith prints books and things hardcover** - Dec 07 2022

web kiki smith prints books and things is the most complete survey yet of smith s printed art published to accompany an exhibition at the museum of modern art new york in

*kiki smith biography art sculptures prints textiles facts* - Dec 27 2021

web her prolific body of printed art incorporates techniques extending from elaborate etchings to crude rubber stamps and images ranging from wall sized lithographs and deluxe artist s

*kiki smith prints books things google books* - Jan 08 2023

web jul 31 2009 kiki smith prints books and things published by the museum of modern art new york well known as a sculptor kiki smith has also worked extensively as a

**kiki smith prints books and things moma** - Aug 15 2023

web dec 5 2003 kiki smith prints books and things comprises more than 150 prints books and multiples and is the first new york museum survey of her printed art

*kiki smith 46 artworks printmaking wikiart org* - Jan 28 2022

web 4 68 103 ratings4 reviews well known as a sculptor kiki smith has also worked extensively as a printmaker in fact her

printed works and other editioned art including books and