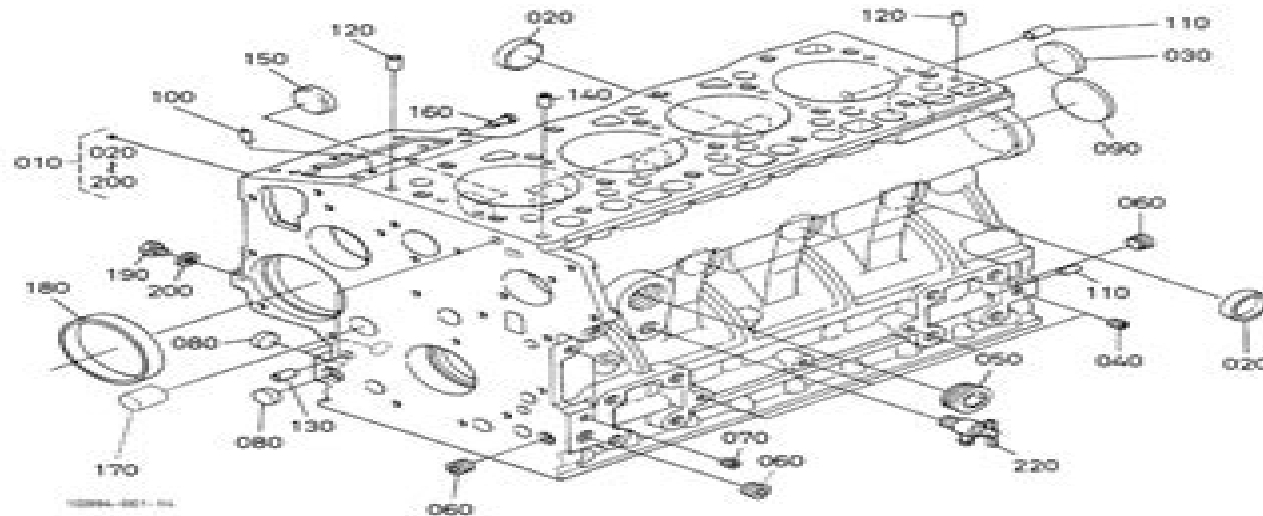


**CRANKCASE - 0001**

**KUBOTA V1505 DIESEL ENGINE**



A-V1505-E3B-ERR-1

| M.M.F.    | KIT No.<br>No. of KIT<br>P.C. No. | PART No.<br>No. REF.<br>REFERENCE | PART NAME           | DESCRIPTION          | DESIGNATION          | QTY. No. DE<br>CANTIDAD No. DE |   | S. C. | REMARKS<br>NOTA<br>REMARKES |
|-----------|-----------------------------------|-----------------------------------|---------------------|----------------------|----------------------|--------------------------------|---|-------|-----------------------------|
|           |                                   |                                   |                     |                      |                      | A                              | B |       |                             |
| 3.345.324 | 010                               | 16698-0101-2                      | COMP. CRANKCASE     | COMP. BLOQUE MOTOR   | BLOC MOTEUR COMPLET  | 1                              | - |       |                             |
| 3.337.579 | 020                               | 15451-9627-0                      | CAP. SEALING        | TAPA, SELLADO        | PASTILLE             | 6                              | - |       |                             |
| 3.331.604 | 030                               | 15221-0349-0                      | CAP. SEALING        | TAPA, SELLADO        | PASTILLE             | 1                              | - |       |                             |
| 3.331.605 | 040                               | 15261-9601-0                      | PLUG                | TAPON                | BOUCHON              | 4                              | - |       |                             |
| 3.345.102 | 050                               | 16683-9602-0                      | PLUG                | TAPON                | BOUCHON              | 1                              | - |       |                             |
| 3.345.103 | 060                               | 16241-9601-0                      | PLUG                | TAPON                | BOUCHON              | 3                              | - |       |                             |
| 3.331.536 | 070                               | 15521-9602-0                      | PLUG                | TAPON                | BOUCHON              | 2                              | - |       |                             |
| 3.331.538 | 080                               | 17391-9616-0                      | PLUG, EXPANSION     | TAPON, EXPANSION     | BOUCHON EXPANSIBLE   | 2                              | - |       |                             |
| 3.337.581 | 090                               | 16271-9616-0                      | PLUG, EXPANSION     | TAPON, EXPANSION     | BOUCHON EXPANSIBLE   | 1                              | - |       |                             |
| 3.345.325 | 100                               | 05012-00508                       | PIN, STRAIGHT       | PASADOR, RECTO       | GOUILLE CYLINDRIQUE  | 2                              | - |       |                             |
| 3.345.104 | 110                               | 05012-00814                       | PIN, STRAIGHT       | PASADOR, RECTO       | GOUILLE CYLINDRIQUE  | 2                              | - |       |                             |
| 3.345.105 | 120                               | 05012-00610                       | PIN, STRAIGHT       | PASADOR, RECTO       | GOUILLE CYLINDRIQUE  | 2                              | - |       |                             |
| 3.345.106 | 130                               | 15231-3396-0                      | PIN, PIPE           | PASADOR, TUBO        | GIOLEUR              | 2                              | - |       |                             |
| 3.345.107 | 140                               | 16241-3365-0                      | PIN, PIPE           | PASADOR, TUBO        | GIOLEUR              | 1                              | - |       |                             |
| 3.336.927 | 150                               | 16241-9626-2                      | PLUG                | TAPON                | BOUCHON              | 1                              | - |       |                             |
| 3.345.108 | 160                               | 16221-5628-0                      | PIN, START SPRING   | PASADOR, ARRIND RSRT | GOUILLE DU RESSORT   | 1                              | - |       |                             |
| 3.345.326 | 170                               | 16282-9601-0                      | PLUG                | TAPON                | BOUCHON              | 1                              | - |       |                             |
| 3.345.327 | 180                               | 16271-5535-0                      | BUSH, GOVERNOR GEAR | CASQUILLO, RGLDR     | BAGUE DE REG. PIGNON | 1                              | - |       |                             |
| 3.331.568 | 190                               | 15221-3361-0                      | PLUG                | TAPON                | BOUCHON              | 1                              | - |       |                             |
| 3.331.569 | 200                               | 15021-3366-0                      | GASKET              | JUNTA                | JOINT                | 1                              | - |       |                             |
| N/A       | 210                               |                                   | BLANK               | POSTIZO              | BLANC                | -                              | - |       |                             |
| 3.336.28  | 220                               | 15841-7302-0                      | ASSY COCK, DRAIN    | CONJ. GRIFO, VCR     | ENS. ROBINET VIDANGE | 1                              | - |       |                             |

# Kubota Engine V1505 Parts Manual

**ML Yell**



## **Kubota Engine V1505 Parts Manual:**

Embark on a breathtaking journey through nature and adventure with Crafted by is mesmerizing ebook, Witness the Wonders in **Kubota Engine V1505 Parts Manual** . This immersive experience, available for download in a PDF format (Download in PDF: \*), transports you to the heart of natural marvels and thrilling escapades. Download now and let the adventure begin!

<https://staging.conocer.cide.edu/results/detail/Documents/Ib%20Business%20And%20Management%20Paper%202023.pdf>

## **Table of Contents Kubota Engine V1505 Parts Manual**

1. Understanding the eBook Kubota Engine V1505 Parts Manual
  - The Rise of Digital Reading Kubota Engine V1505 Parts Manual
  - Advantages of eBooks Over Traditional Books
2. Identifying Kubota Engine V1505 Parts Manual
  - Exploring Different Genres
  - Considering Fiction vs. Non-Fiction
  - Determining Your Reading Goals
3. Choosing the Right eBook Platform
  - Popular eBook Platforms
  - Features to Look for in an Kubota Engine V1505 Parts Manual
  - User-Friendly Interface
4. Exploring eBook Recommendations from Kubota Engine V1505 Parts Manual
  - Personalized Recommendations
  - Kubota Engine V1505 Parts Manual User Reviews and Ratings
  - Kubota Engine V1505 Parts Manual and Bestseller Lists
5. Accessing Kubota Engine V1505 Parts Manual Free and Paid eBooks
  - Kubota Engine V1505 Parts Manual Public Domain eBooks
  - Kubota Engine V1505 Parts Manual eBook Subscription Services
  - Kubota Engine V1505 Parts Manual Budget-Friendly Options

6. Navigating Kubota Engine V1505 Parts Manual eBook Formats
  - ePub, PDF, MOBI, and More
  - Kubota Engine V1505 Parts Manual Compatibility with Devices
  - Kubota Engine V1505 Parts Manual Enhanced eBook Features
7. Enhancing Your Reading Experience
  - Adjustable Fonts and Text Sizes of Kubota Engine V1505 Parts Manual
  - Highlighting and Note-Taking Kubota Engine V1505 Parts Manual
  - Interactive Elements Kubota Engine V1505 Parts Manual
8. Staying Engaged with Kubota Engine V1505 Parts Manual
  - Joining Online Reading Communities
  - Participating in Virtual Book Clubs
  - Following Authors and Publishers Kubota Engine V1505 Parts Manual
9. Balancing eBooks and Physical Books Kubota Engine V1505 Parts Manual
  - Benefits of a Digital Library
  - Creating a Diverse Reading Collection Kubota Engine V1505 Parts Manual
10. Overcoming Reading Challenges
  - Dealing with Digital Eye Strain
  - Minimizing Distractions
  - Managing Screen Time
11. Cultivating a Reading Routine Kubota Engine V1505 Parts Manual
  - Setting Reading Goals Kubota Engine V1505 Parts Manual
  - Carving Out Dedicated Reading Time
12. Sourcing Reliable Information of Kubota Engine V1505 Parts Manual
  - Fact-Checking eBook Content of Kubota Engine V1505 Parts Manual
  - Distinguishing Credible Sources
13. Promoting Lifelong Learning
  - Utilizing eBooks for Skill Development
  - Exploring Educational eBooks
14. Embracing eBook Trends
  - Integration of Multimedia Elements

- Interactive and Gamified eBooks

### **Kubota Engine V1505 Parts Manual Introduction**

Kubota Engine V1505 Parts Manual Offers over 60,000 free eBooks, including many classics that are in the public domain.

**Open Library:** Provides access to over 1 million free eBooks, including classic literature and contemporary works. Kubota Engine V1505 Parts Manual Offers a vast collection of books, some of which are available for free as PDF downloads, particularly older books in the public domain.

**Kubota Engine V1505 Parts Manual :** This website hosts a vast collection of scientific articles, books, and textbooks. While it operates in a legal gray area due to copyright issues, its a popular resource for finding various publications.

**Internet Archive for Kubota Engine V1505 Parts Manual :** Has an extensive collection of digital content, including books, articles, videos, and more. It has a massive library of free downloadable books.

**Free-eBooks Kubota Engine V1505 Parts Manual Offers** a diverse range of free eBooks across various genres. Kubota Engine V1505 Parts Manual Focuses mainly on educational books, textbooks, and business books. It offers free PDF downloads for educational purposes.

**Kubota Engine V1505 Parts Manual Provides** a large selection of free eBooks in different genres, which are available for download in various formats, including PDF. Finding specific Kubota Engine V1505 Parts Manual, especially related to Kubota Engine V1505 Parts Manual, might be challenging as theyre often artistic creations rather than practical blueprints. However, you can explore the following steps to search for or create your own Online Searches: Look for websites, forums, or blogs dedicated to Kubota Engine V1505 Parts Manual, Sometimes enthusiasts share their designs or concepts in PDF format.

**Books and Magazines** Some Kubota Engine V1505 Parts Manual books or magazines might include. Look for these in online stores or libraries. Remember that while Kubota Engine V1505 Parts Manual, sharing copyrighted material without permission is not legal. Always ensure youre either creating your own or obtaining them from legitimate sources that allow sharing and downloading.

**Library Check** if your local library offers eBook lending services. Many libraries have digital catalogs where you can borrow Kubota Engine V1505 Parts Manual eBooks for free, including popular titles.

**Online Retailers:** Websites like Amazon, Google Books, or Apple Books often sell eBooks. Sometimes, authors or publishers offer promotions or free periods for certain books.

**Authors Website** Occasionally, authors provide excerpts or short stories for free on their websites. While this might not be the Kubota Engine V1505 Parts Manual full book , it can give you a taste of the authors writing style.

**Subscription Services** Platforms like Kindle Unlimited or Scribd offer subscription-based access to a wide range of Kubota Engine V1505 Parts Manual eBooks, including some popular titles.

## FAQs About Kubota Engine V1505 Parts Manual Books

How do I know which eBook platform is the best for me? Finding the best eBook platform depends on your reading preferences and device compatibility. Research different platforms, read user reviews, and explore their features before making a choice. Are free eBooks of good quality? Yes, many reputable platforms offer high-quality free eBooks, including classics and public domain works. However, make sure to verify the source to ensure the eBook credibility. Can I read eBooks without an eReader? Absolutely! Most eBook platforms offer web-based readers or mobile apps that allow you to read eBooks on your computer, tablet, or smartphone. How do I avoid digital eye strain while reading eBooks? To prevent digital eye strain, take regular breaks, adjust the font size and background color, and ensure proper lighting while reading eBooks. What the advantage of interactive eBooks? Interactive eBooks incorporate multimedia elements, quizzes, and activities, enhancing the reader engagement and providing a more immersive learning experience. Kubota Engine V1505 Parts Manual is one of the best book in our library for free trial. We provide copy of Kubota Engine V1505 Parts Manual in digital format, so the resources that you find are reliable. There are also many Ebooks of related with Kubota Engine V1505 Parts Manual. Where to download Kubota Engine V1505 Parts Manual online for free? Are you looking for Kubota Engine V1505 Parts Manual PDF? This is definitely going to save you time and cash in something you should think about.

## Find Kubota Engine V1505 Parts Manual :

### **ib business and management paper 23**

[i can statements math 7 common core](#)

[i2 analyst notebook 7 user guide](#)

### **i tituba black witch of salem by maryse conde**

### **hyundai vera cruz owners manual**

[ib economics extended essay example](#)

[i want it all book 2](#)

[iata airport handling manual general chapter](#)

### **ib history paper 2 may 2012 markscheme**

[iahss basic training manual answer](#)

### **i mille italian edition**

[ib english b sl may 2paper](#)

[hyundai wheel loader hl780 7a workshop service repair manual](#)

**iahcsmm sterile processing technition study guide**

[iari phd question paper](#)

**Kubota Engine V1505 Parts Manual :**

*the complete idiot s guide to music composition methods for* - Aug 09 2022

web the complete idiot s guide to music composition methods for developing simple melodies and longer compositions miller michael amazon co uk books arts photography

**the complete idiot s guide to music composition google books** - Oct 23 2023

web oct 4 2005 bibtex endnote refman write the songs that make the whole world sing a step by step guide to writing music this book shows musicians how to compose simple chord progressions and melodies

**the complete idiot s guide to music composition pdf** - Sep 10 2022

web the complete idiot s guide to music composition author michael miller category art music language english year 2005 pages 290 file size 29 mb total downloads 3 238 total views 14 448 series the complete idiot s guide pages in file 290 topic 61 org file size 30 408 019 extension pdf

*the complete idiot s guide to music by miller michael* - Sep 22 2023

web oct 4 2005 learn to compose your own music with this simple straightforward guide the songwriting process can seem intimidating at first but idiot s guides music composition teaches musicians of all skill levels step by step how to write music and compose simple chord progressions and melodies

**the complete idiot s guide to music composition paperback** - Apr 17 2023

web write the songs that make the whole world sing a step by step guide to writing music this book shows musicians how to compose simple chord progressions and melodies and leads them through more advanced compositional techniques and musical forms

*the complete idiot s guide to music composition methods for* - Oct 11 2022

web learn to compose your own music with this simple straightforward guide the songwriting process can seem intimidating at first but idiot s guides music composition teaches musicians of all skill levels step by step how to write music and compose simple chord progressions and melodies

[complete idiot s guide to music composition textbook sheet music](#) - Jun 07 2022

web complete idiot s guide to music composition textbook sheet music complete idiot s guide to music composition 21 99 available ready to ship in 4 to 6 weeks 2 pricing save 5 when you buy 2 or more copies of this item add to cart taxes vat calculated at checkout



**download the complete idiot s guide to music composition pdf** - May 06 2022

web download the complete idiot s guide to music composition pdf type pdf size 29mb download as pdf download original pdf this document was uploaded by user and they confirmed that they have the permission to share it if you are author or own the copyright of this book please report to us by using this dmca report form report dmca

**the complete idiot s guide to music book by michael miller thriftbooks** - Jul 08 2022

web the songwriting process can seem intimidating at first but idiot s guides music composition teaches musicians of all skill levels step by step how to write music and compose simple chord progressions and melodies it also leads them through more advanced compositional techniques and musical forms

**read download the complete idiot s guide to music composition** - Mar 04 2022

web sep 24 2020 designed for composers of all types of music it includes instruction on composing stand alone melodies using different scales and modes themes and variations orchestration and composing for film theater and videogames here s what you ll find in this practical guide the essential basics every aspiring songwriter needs

**the complete idiot s guide to music composition method** - Aug 21 2023

web oct 4 2005 4 14 152 ratings11 reviews write the songs that make the whole world sing a step by step guide to writing music this book shows musicians how to compose simple chord progressions and melodies and leads them through more advanced compositional techniques and musical forms

the complete idiot s guide to music composition alfred music - Nov 12 2022

web learn how to compose music the easy way this book shows you how to compose with chords first and melody first methods for developing simple melodic motifs and themes into longer compositions tips for creating interesting chord progressions and much more

the complete idiot s guide to music composition barnes - Feb 15 2023

web oct 4 2005 learn to compose your own music with this simple straightforward guide the songwriting process can seem intimidating at first but idiot s guides music composition teaches musicians of all skill levels step by step how to write music and compose simple chord progressions and melodies it also leads them through more

**the complete idiot s guide to music composition archive org** - Jul 20 2023

web the complete idiot s guide to music composition miller michael 1958 free download borrow and streaming internet archive

**the complete idiot s guide to music composition dk us** - Mar 16 2023

web oct 4 2005 write the songs that make the whole world sing a step by step guide to writing music this book shows musicians how to compose simple chord progressions and melodies and leads them through more advanced

**the complete idiot s guide to music composition academia edu** - Apr 05 2022

web download pdf loading preview the complete idiot s guide to music composition

**the complete idiot s guide to music composition pdf** - Dec 13 2022

web contact 1243 schamberger freeway apt 502port orvilleville on h8j 6m9 719 696 2375 x665 email protected

*the complete idiot s guide to music composition open library* - May 18 2023

web oct 4 2005 the complete idiot s guide to music composition by michael miller open library preview want to read 1 2

more when you buy books using these links the internet archive may earn a small commission overview view 1 edition details

reviews lists related books last edited by importbot december 17 2022 history edit

*the complete idiot s guide to music composition google books* - Jun 19 2023

web oct 4 2005 learn to compose your own music with this simple straightforward guide the songwriting process can seem

intimidating at first but idiot s guides music composition teaches musicians of

**the complete idiot s guide to music composition ebooks com** - Jan 14 2023

web write the songs that make the whole world sing a step by step guide to writing music this book shows musicians how to

compose simple chord progressions and melodies and leads them through more advanced compositional techniques and

musical forms

how to help children with anxiety psycom - Dec 06 2022

web dec 20 2017 a simple two step process helps kids learn to use their muscles to relieve the physical stress they

experience when anxious 1 tense a specific muscle group e g

*conquering anxiety in children simple 30 minute fun games* - Apr 29 2022

web jun 13 2023 conquering anxiety in children simple 30 minute fun games and techniques to help kids take control of

their fears worries and confusion by sarah

**conquering anxiety in children simple 30 minute f pdf 2023** - Sep 22 2021

web conquering anxiety in children simple 30 minute f pdf whispering the secrets of language an psychological quest through

conquering anxiety in children simple 30

conquering anxiety in children simple 30 minute fun games - Jun 12 2023

web buy conquering anxiety in children simple 30 minute fun games and techniques to help kids take control of their fears

worries and confusion by howell sarah online

**conquering anxiety in children simple 30 minute f pdf pdf** - Dec 26 2021

web children and their parents will understand the biological and emotional components of anxiety responsible for the

upsetting symptoms they experience ÿplease explain

**read e book conquering anxiety in children simple 30 minute** - Mar 09 2023

web pdf download conquering anxiety in children simple 30 minute fun games and techniques to help kids take control of their fears worries and confusion read

**conquering anxiety in children simple 30 minute f 2022** - Oct 24 2021

web with anxiety at epidemic levels among our children anxious kids anxious parents offers a contrarian yet effective approach to help children and teens push through

*how to handle anxiety in children verywell family* - Feb 08 2023

web aug 8 2021 turn off the tv play some soothing music and try some relaxing yoga poses and other stress relieving strategies the more you are able to keep things calm and

**conquering anxiety in children simple 30 minute fun games** - Jul 13 2023

web conquering anxiety in children simple 30 minute fun games and techniques to help kids take control of their fears worries and confusion ebook howell sarah

*conquering anxiety in children simple 30 minute fun ga* - Aug 14 2023

web unique stories of kids experiences with anxiety and how they learned to cope and deal with their struggles scientifically proven techniques activities and games designed to do in 30 mins or less for busy schedules

**conquering anxiety in children simple 30 minute f copy** - Feb 25 2022

web conquering anxiety in children simple 30 minute f don t worry be happy helping your kids anxiety 2 in 1 katie not afraidly helping children manage anxiety at school a

conquering anxiety in chi yumpu - Aug 02 2022

web conquering anxiety in chi conquering anxiety in children simple 30 minute fungames and techniques to help kids take control of theirfears

*opinion helping anxious kids might be easy the new york* - Jan 27 2022

web sep 4 2023 this simple fix could help anxious kids dr ortiz a psychologist is an associate professor of psychology at long island university post ms skenazy is the

*conquering anxiety in chi yumpu* - May 11 2023

web pdf download conquering anxiety in children simple 30 minute fun games and techniques to help kids take control of their fears worries and confusion read

sell buy or rent conquering anxiety in children simple 30 - Mar 29 2022

web sell conquering anxiety in children simple 30 minute fun games and techniques to hel 1721711570 at booksrun ship for free and get fast cash back

*10 tips for parenting anxious children webmd* - Sep 03 2022

web 6 don t reinforce the child s fears avoid suggesting with your tone of voice or body language maybe this is something that you should be afraid of 7 be encouraging let

conquering anxiety in children simple 30 minute f full pdf - Nov 24 2021

web conquering anxiety in children simple 30 minute f when my worries get too big a very unusual journey into play 101 tips to help your anxious child scaredies away a

*read pdf books conquering anxiety in children simple 30* - Oct 04 2022

web pdf download conquering anxiety in children simple 30 minute fun games and techniques to help kids take control of their fears worries

**anxiety in children harvard health** - Jul 01 2022

web aug 14 2018 common symptoms of anxiety in children thumping heart rapid breathing sweating tense muscles nausea and dread are familiar symptoms of anxiety that

**conquering anxiety in children simple 30 minute fun games** - Apr 10 2023

web jul 23 2018 interactive ways to get kids to enjoy overcoming their anxiety keep their focus and interest with you it s hard to understand if you haven t experienced it yourself

*buy new used books online with free shipping better world* - May 31 2022

web jun 20 2018 conquering anxiety in children simple 30 minute fun games and techniques to help kids take control of their fears worries and confusion by sarah

amazon com au customer reviews conquering anxiety in - Nov 05 2022

web find helpful customer reviews and review ratings for conquering anxiety in children simple 30 minute fun games and techniques to help kids take control of their

**anxiety in children nhs** - Jan 07 2023

web home mental health mental health for children teenagers and young adults advice for parents anxiety in children just like adults children and young people feel worried and

**briefe und selbstzeugnisse by sigmund freud audible com** - Mar 10 2023

web briefe und selbstzeugnisse as it s meant to be heard narrated by paul hoffmann discover the abridged german audiobook at audible free trial available

**siegmund freud briefe und selbstzeugnisse spotify** - Dec 07 2022

web mar 18 2021 listen free to briefe und selbstzeugnisse gekürzt audiobook by sigmund freud with a 30 day free trial stream and download audiobooks to your

**briefe und selbstzeugnisse von sigmund freud 2021 digital** - Jun 01 2022

web briefe und selbstzeugnisse 1 audio cd originalaufnahme einer veranstaltung im theater in der josefstadt wien im februar 1974 freud sigmund bestelltelefon 0800

**briefe und selbstzeugnisse 1 audio cd sigmund freud** - Apr 30 2022

web kaufen sie briefe und selbstzeugnisse gekürzt von sigmund freud als hörbuch download im mp3 format ohne anmeldung ohne kopierschutz und ohne extra

**sigmund freud briefe und selbstzeugnisse pdf free** - Oct 25 2021

web freuds wien bücherpick geschichte der wirtschaftsinformatik max weber und die literarische moderne die rezeption des exils mathilde freud pioniere des unbewussten

*sigmund freud briefe und selbstzeugnisse gekürzt* - Mar 30 2022

web versandkosten lieferdatum und gesamtbetrag der bestellung einschließlich steuern wie bei der bezahlung angezeigt in den einkaufswagen jetzt kaufen von dir ausgewählte

**briefe und selbstzeugnisse mp3 download von sigmund freud** - Aug 03 2022

web apple music

briefe und selbstzeugnisse von sigmund freud hörbuch dtv - Aug 15 2023

web mar 18 2021 briefe und selbstzeugnisse sigmund freud war ein revolutionär er begründete die psychoanalyse und setzte damit einen meilenstein in der geschichte der

**sigmund freud briefe und selbstzeugnisse ftp williamcurley co** - Sep 23 2021

*briefe und selbstzeugnisse lesung mit paul hoffmann 1 mp3* - Feb 09 2023

web briefe und selbstzeugnisse lesung mit paul hoffmann 1 mp3 cd freud sigmund hoffmann paul isbn 9783742415684 kostenloser versand für alle bücher mit

*apple music* - Jul 02 2022

web entdecken sie briefe und selbstzeugnisse von sigmund freud 2021 digital in der großen auswahl bei ebay kostenlose lieferung für viele artikel

briefe und selbstzeugnisse mp3 download freud sigmund - Jan 08 2023

web briefe und selbstzeugnisse mp3 download finden sie alle bücher von freud sigmund bei der büchersuchmaschine eurobuch com können sie antiquarische und

briefe und selbstzeugnisse by sigmund freud overdrive - Jul 14 2023

web mar 18 2021 sigmund freud war ein revolutionär er begründete die psychoanalyse und setzte damit einen meilenstein

in der geschichte der menschheit freud war aber auch

*listen free to briefe und selbstzeugnisse gekürzt by sigmund* - Nov 06 2022

web jetzt das hörbuch briefe und selbstzeugnisse 1 audio cd 1 mp3 von sigmund freud bequem einfach online kaufen

versandkostenfrei ab 29 bücher ab 5 30 tage

briefe und selbstzeugnisse von sigmund freud bücher de - Apr 11 2023

web er begründete die psychoanalyse und setzte damit einen meilenstein in der geschichte der menschheit freud war aber auch ein freund der sprache stöbern sie im onlineshop

9783742415684 briefe und selbstzeugnisse freud sigmund - May 12 2023

web briefe und selbstzeugnisse finden sie alle bücher von freud sigmund bei der büchersuchmaschine eurobuch com können sie antiquarische und neubücher

**briefe und selbstzeugnisse sigmund freud der audio verlag** - Jun 13 2023

web mar 18 2021 briefe und selbstzeugnisse ist eine unverzichtbare ergänzung zu freuds wissenschaftlichem werk und gibt einblicke in das privatleben des genies das

sigmund freud briefe und selbstzeugnisse neues buch - Sep 04 2022

web er begründete die psychoanalyse und setzte damit einen meilenstein in der geschichte der menschheit freud war aber auch ein freund der sprache stöbern sie im onlineshop

**siegmund freud briefe und selbstzeugnisse amazon de** - Feb 26 2022

web briefe und selbstzeugnisse sigmund freud 20 eur myy ja toimittaa adlibris arvointu toimitusaika 3 7 arkipäivää toimitusmaksu 3 90 sigmund freud arvostelut ei

**briefe und selbstzeugnisse sigmund freud 9783742415684** - Jan 28 2022

web sigmund freud war ein revolutionär er begründete die psychoanalyse und setzte damit einen meilenstein in der geschichte der menschheit freud war aber auch ein freund

*briefe und selbstzeugnisse 1 audio cd 1 mp3 weltbild* - Oct 05 2022

web sigmund freud briefe und selbstzeugnisse finden sie alle bücher von sigmund freud paul hoffmann preiser records bei der büchersuchmaschine eurobuch com

**briefe und selbstzeugnisse by sigmund freud is available in** - Dec 27 2021

web sigmund freud briefe und selbstzeugnisse 3 3 und seelenforscher das wissen um unser inneres für immer verändert hat sigmund freud die biographen aber sollen

**sigmund freud briefe und selbstzeugnisse copy** - Nov 25 2021

web sigmund freud briefe und selbstzeugnisse pdf decoding sigmund freud briefe und selbstzeugnisse pdf revealing the

captivating potential of verbal expression in a time