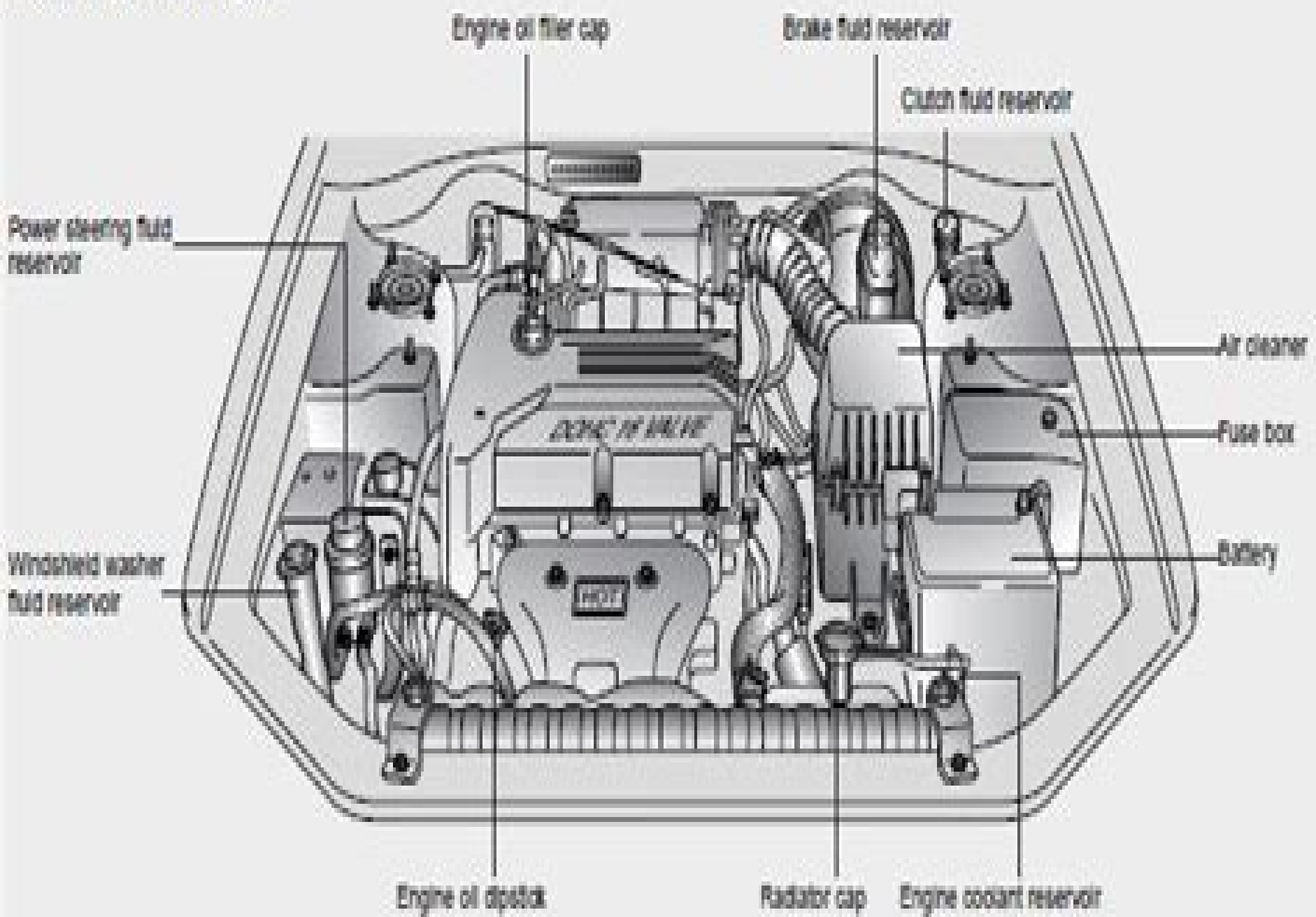


2400cc 4-cyl. DOHC Engine



Kia Magentis 2000 2005 Service And Repair Manual

Wolfgang Guggemos



Kia Magentis 2000 2005 Service And Repair Manual:

Kia Magentis 2000 2005 Service And Repair Manual Book Review: Unveiling the Magic of Language

In a digital era where connections and knowledge reign supreme, the enchanting power of language has become more apparent than ever. Its ability to stir emotions, provoke thought, and instigate transformation is actually remarkable. This extraordinary book, aptly titled "**Kia Magentis 2000 2005 Service And Repair Manual**," compiled by a very acclaimed author, immerses readers in a captivating exploration of the significance of language and its profound impact on our existence. Throughout this critique, we will delve to the book's central themes, evaluate its unique writing style, and assess its overall influence on its readership.

https://staging.conocer.cide.edu/results/uploaded-files/HomePages/idiot_s_guides_reflexology.pdf

Table of Contents Kia Magentis 2000 2005 Service And Repair Manual

1. Understanding the eBook Kia Magentis 2000 2005 Service And Repair Manual
 - The Rise of Digital Reading Kia Magentis 2000 2005 Service And Repair Manual
 - Advantages of eBooks Over Traditional Books
2. Identifying Kia Magentis 2000 2005 Service And Repair Manual
 - Exploring Different Genres
 - Considering Fiction vs. Non-Fiction
 - Determining Your Reading Goals
3. Choosing the Right eBook Platform
 - Popular eBook Platforms
 - Features to Look for in an Kia Magentis 2000 2005 Service And Repair Manual
 - User-Friendly Interface
4. Exploring eBook Recommendations from Kia Magentis 2000 2005 Service And Repair Manual
 - Personalized Recommendations
 - Kia Magentis 2000 2005 Service And Repair Manual User Reviews and Ratings
 - Kia Magentis 2000 2005 Service And Repair Manual and Bestseller Lists

5. Accessing Kia Magentis 2000 2005 Service And Repair Manual Free and Paid eBooks
 - Kia Magentis 2000 2005 Service And Repair Manual Public Domain eBooks
 - Kia Magentis 2000 2005 Service And Repair Manual eBook Subscription Services
 - Kia Magentis 2000 2005 Service And Repair Manual Budget-Friendly Options
6. Navigating Kia Magentis 2000 2005 Service And Repair Manual eBook Formats
 - ePub, PDF, MOBI, and More
 - Kia Magentis 2000 2005 Service And Repair Manual Compatibility with Devices
 - Kia Magentis 2000 2005 Service And Repair Manual Enhanced eBook Features
7. Enhancing Your Reading Experience
 - Adjustable Fonts and Text Sizes of Kia Magentis 2000 2005 Service And Repair Manual
 - Highlighting and Note-Taking Kia Magentis 2000 2005 Service And Repair Manual
 - Interactive Elements Kia Magentis 2000 2005 Service And Repair Manual
8. Staying Engaged with Kia Magentis 2000 2005 Service And Repair Manual
 - Joining Online Reading Communities
 - Participating in Virtual Book Clubs
 - Following Authors and Publishers Kia Magentis 2000 2005 Service And Repair Manual
9. Balancing eBooks and Physical Books Kia Magentis 2000 2005 Service And Repair Manual
 - Benefits of a Digital Library
 - Creating a Diverse Reading Collection Kia Magentis 2000 2005 Service And Repair Manual
10. Overcoming Reading Challenges
 - Dealing with Digital Eye Strain
 - Minimizing Distractions
 - Managing Screen Time
11. Cultivating a Reading Routine Kia Magentis 2000 2005 Service And Repair Manual
 - Setting Reading Goals Kia Magentis 2000 2005 Service And Repair Manual
 - Carving Out Dedicated Reading Time
12. Sourcing Reliable Information of Kia Magentis 2000 2005 Service And Repair Manual
 - Fact-Checking eBook Content of Kia Magentis 2000 2005 Service And Repair Manual
 - Distinguishing Credible Sources
13. Promoting Lifelong Learning

- Utilizing eBooks for Skill Development
 - Exploring Educational eBooks
14. Embracing eBook Trends
- Integration of Multimedia Elements
 - Interactive and Gamified eBooks

Kia Magentis 2000 2005 Service And Repair Manual Introduction

In today's digital age, the availability of Kia Magentis 2000 2005 Service And Repair Manual books and manuals for download has revolutionized the way we access information. Gone are the days of physically flipping through pages and carrying heavy textbooks or manuals. With just a few clicks, we can now access a wealth of knowledge from the comfort of our own homes or on the go. This article will explore the advantages of Kia Magentis 2000 2005 Service And Repair Manual books and manuals for download, along with some popular platforms that offer these resources. One of the significant advantages of Kia Magentis 2000 2005 Service And Repair Manual books and manuals for download is the cost-saving aspect. Traditional books and manuals can be costly, especially if you need to purchase several of them for educational or professional purposes. By accessing Kia Magentis 2000 2005 Service And Repair Manual versions, you eliminate the need to spend money on physical copies. This not only saves you money but also reduces the environmental impact associated with book production and transportation. Furthermore, Kia Magentis 2000 2005 Service And Repair Manual books and manuals for download are incredibly convenient. With just a computer or smartphone and an internet connection, you can access a vast library of resources on any subject imaginable. Whether you're a student looking for textbooks, a professional seeking industry-specific manuals, or someone interested in self-improvement, these digital resources provide an efficient and accessible means of acquiring knowledge. Moreover, PDF books and manuals offer a range of benefits compared to other digital formats. PDF files are designed to retain their formatting regardless of the device used to open them. This ensures that the content appears exactly as intended by the author, with no loss of formatting or missing graphics. Additionally, PDF files can be easily annotated, bookmarked, and searched for specific terms, making them highly practical for studying or referencing. When it comes to accessing Kia Magentis 2000 2005 Service And Repair Manual books and manuals, several platforms offer an extensive collection of resources. One such platform is Project Gutenberg, a nonprofit organization that provides over 60,000 free eBooks. These books are primarily in the public domain, meaning they can be freely distributed and downloaded. Project Gutenberg offers a wide range of classic literature, making it an excellent resource for literature enthusiasts. Another popular platform for Kia Magentis 2000 2005 Service And Repair Manual books and manuals is Open Library. Open Library is an initiative of the Internet Archive, a non-profit organization dedicated to digitizing cultural artifacts and making them

accessible to the public. Open Library hosts millions of books, including both public domain works and contemporary titles. It also allows users to borrow digital copies of certain books for a limited period, similar to a library lending system. Additionally, many universities and educational institutions have their own digital libraries that provide free access to PDF books and manuals. These libraries often offer academic texts, research papers, and technical manuals, making them invaluable resources for students and researchers. Some notable examples include MIT OpenCourseWare, which offers free access to course materials from the Massachusetts Institute of Technology, and the Digital Public Library of America, which provides a vast collection of digitized books and historical documents. In conclusion, Kia Magentis 2000 2005 Service And Repair Manual books and manuals for download have transformed the way we access information. They provide a cost-effective and convenient means of acquiring knowledge, offering the ability to access a vast library of resources at our fingertips. With platforms like Project Gutenberg, Open Library, and various digital libraries offered by educational institutions, we have access to an ever-expanding collection of books and manuals. Whether for educational, professional, or personal purposes, these digital resources serve as valuable tools for continuous learning and self-improvement. So why not take advantage of the vast world of Kia Magentis 2000 2005 Service And Repair Manual books and manuals for download and embark on your journey of knowledge?

FAQs About Kia Magentis 2000 2005 Service And Repair Manual Books

What is a Kia Magentis 2000 2005 Service And Repair Manual PDF? A PDF (Portable Document Format) is a file format developed by Adobe that preserves the layout and formatting of a document, regardless of the software, hardware, or operating system used to view or print it. **How do I create a Kia Magentis 2000 2005 Service And Repair Manual PDF?** There are several ways to create a PDF: Use software like Adobe Acrobat, Microsoft Word, or Google Docs, which often have built-in PDF creation tools. Print to PDF: Many applications and operating systems have a "Print to PDF" option that allows you to save a document as a PDF file instead of printing it on paper. Online converters: There are various online tools that can convert different file types to PDF. **How do I edit a Kia Magentis 2000 2005 Service And Repair Manual PDF?** Editing a PDF can be done with software like Adobe Acrobat, which allows direct editing of text, images, and other elements within the PDF. Some free tools, like PDFescape or Smallpdf, also offer basic editing capabilities. **How do I convert a Kia Magentis 2000 2005 Service And Repair Manual PDF to another file format?** There are multiple ways to convert a PDF to another format: Use online converters like Smallpdf, Zamzar, or Adobe Acrobats export feature to convert PDFs to formats like Word, Excel, JPEG, etc. Software like Adobe Acrobat, Microsoft Word, or other PDF editors may have options to export or save PDFs in different formats. **How do I password-protect a Kia Magentis 2000 2005 Service And Repair**

Manual PDF? Most PDF editing software allows you to add password protection. In Adobe Acrobat, for instance, you can go to "File" -> "Properties" -> "Security" to set a password to restrict access or editing capabilities. Are there any free alternatives to Adobe Acrobat for working with PDFs? Yes, there are many free alternatives for working with PDFs, such as: LibreOffice: Offers PDF editing features. PDFsam: Allows splitting, merging, and editing PDFs. Foxit Reader: Provides basic PDF viewing and editing capabilities. How do I compress a PDF file? You can use online tools like Smallpdf, ILovePDF, or desktop software like Adobe Acrobat to compress PDF files without significant quality loss. Compression reduces the file size, making it easier to share and download. Can I fill out forms in a PDF file? Yes, most PDF viewers/editors like Adobe Acrobat, Preview (on Mac), or various online tools allow you to fill out forms in PDF files by selecting text fields and entering information. Are there any restrictions when working with PDFs? Some PDFs might have restrictions set by their creator, such as password protection, editing restrictions, or print restrictions. Breaking these restrictions might require specific software or tools, which may or may not be legal depending on the circumstances and local laws.

Find Kia Magentis 2000 2005 Service And Repair Manual :

[idiot s guides reflexology](#)

[ideas for music movement for the elderly](#)

if only it were true

ieee guide for transformer protection

ideas for diabetes month bulletin boards

ifsta power point pumping apparatus operator

ict thursday june 2paper gcse

icse english literature question paper 2014

ied final study guide key

[if you knew jack the center book 2](#)

ifrs guidebook 2015 edition

ifrs pocket guide 2pricewaterhousecoopers

[ics 300 course materials instructor manual](#)

ieb afrikaans past exam papers

idea pad flex 15 manual

Kia Magentis 2000 2005 Service And Repair Manual :

asm handbook volume 22b metals process simulation - Mar 14 2023

web asm handbook volume 22b metals process simulation editor david furrer and s l semiatin hardcover product code 05281g isbn 978 1 61503 005 7 price 380 00 member price 285 00 buy product

handbooks asm digital library - Jul 18 2023

web handbooks asm digital library the asm handbook is a comprehensive and authoritative guide to the structure properties processing performance and evaluation of metals and nonmetallic engineering materials to learn more about the features of asm handbooks online view the demonstration video

metals process simulation handbooks asm digital library - Nov 10 2022

web nov 1 2010 volume 22b describes the methods models and tools used to simulate manufacturing processes and predict the microstructure and mechanical properties of metals and metal parts it covers a wide range of processes from melting casting and solidification to heat treating welding and machining

handbook of workability and process design asm international - Sep 08 2022

web such book describes the underlying concepts and practical methods for effective design rating and optimization of bulk active operations such as forging rolling both extrusion

handbook of workability and process design asm international asm - Aug 07 2022

web this show characteristics the primary concepts and practical methods for effective design evaluation also optimization on bulk working operations such like forging rolling and protrusion

1 asm handbook pdf alloy metalworking scribd - Apr 03 2022

web 1 asm handbook free download as pdf file pdf text file txt or read online for free lo l l fatigue and fracture volume 20 materials selection and design volume 21 composites asm desk editions asm handbook volume 09 metallography and microstructures hardbound publisher asm publication date 2004 isbn 0 87170 706

metallography and microstructures handbooks asm digital - Oct 09 2022

web dec 1 2004 it addresses composition sample preparation imaging technology and analysis it also explains what metallography and micrographs reveal about metallurgical processes such as solidification and solid state transformations that drive microstructure development and influence material properties

additive manufacturing design and applications handbooks asm - May 04 2022

web jun 30 2023 volume 24a provides a comprehensive review of additive manufacturing am design fundamentals and applications the primary focus of the volume is on metallic systems with limited emphasis on polymers and ceramics where applicable the first five divisions provide an in depth review of each of the key aspects of the entire am value chain

[download handbook of metallurgical process design pdf](#) - Aug 19 2023

web download pdf handbook of metallurgical process design pdf 4a5p7kj0tm90 reviewing an extensive array of procedures in hot and cold forming casting heat treatment machining and surface engi

materials selection and design handbooks asm digital library - Jul 06 2022

web jan 1 1997 volume 20 provides insights on how to improve products and reduce costs by leveraging materials technology in the context of engineering design it begins with a review of best design practices identifying roles and responsibilities workflows and tools and considerations such as industry standards and codes environmental regulations

[handbook of metallurgical process design asm international](#) - Sep 20 2023

web metallurgical materials transactions b shape memory and superelasticity online databases asm alloy center database asm alloy phase diagram database asm desk editions free for asm members asm failure analysis database asm global materials platform asm handbooks online asm materials platform for data science asm

handbook of metallurgical process design 1st edition routledge - Feb 13 2023

web reviewing an extensive array of procedures in hot and cold forming casting heat treatment machining and surface engineering of steel and aluminum this comprehensive reference explores a vast range of processes relating to metallurgical component design enhancing the production and the properties of engineered components while reducing

handbook of metallurgical process design 1st edition joseph - Mar 02 2022

web reviewing an comprehensive array of procedures in hot and cold forming casting heat treatment machining and surface engineering of steel and aluminum this comprehensive references explores a vast range of processes relating to metallurgical component design enhancing the creation and the properties of engineered components while lower

asm handbook volume 20 materials selection and design - Dec 11 2022

web design for manufacture and assembly manufacturing processes and their selection modeling of manufacturing processes manufacturing cost estimating design for casting design for deformation processes design for powder metallurgy design for machining design for joining design for heat treatment design for ceramic processing

handbook of metallurgical process design idu ac id - Jun 05 2022

web there are an extensive array of process designs discussed in this book in part one chapters 1 and 2 provide an overview of hot and cold forming process design which includes forging process design chapter 3 details the effect of steel rolling process on microstructure and properties chapter 4 provides the most thorough and current over

asm handbook asm international - May 16 2023

web asm international is pleased to publish a new edition of metallography and microstructures volume 9 of the asm handbook series metallography is a longstanding core interest of asm international members and this new volume 9 reflects the

continuing importance of metallography in metallurgical

asm handbook asm international - Apr 15 2023

web the asm handbook series in 1991 metalworking practice has seen a number of notable advances with regard to development of new processes that include a number of novel techniques such as advanced roll forming methods equal channel angular extrusion and incremental forging processes for new materials such as structural intermetallic alloys and

asm metals handbook metallurgical science sciarium - Feb 01 2022

web jan 16 2018 new addition to asm handbooks condensed table of contents fundamentals of process modeling deformation slab and upper bound methods fem computational fluid dynamics vapor phase thermal modeling heat

handbook of metallurgical process design google books - Jun 17 2023

web may 25 2004 handbook of metallurgical process design george e totten kiyoshi funatani lin xie crc press may 25 2004 technology engineering 984 pages reviewing an extensive array of procedures

asm handbook set 42 volumes asm international - Jan 12 2023

web asm handbook volume 11a analysis and prevention of component and equipment failures asm handbook volume 22b metals process simulation asm handbook volume 24a additive manufacturing design and applications 345 00 0 00 quantity 1 asm handbook volume 9 metallography and microstructures 380 00 0 00 quantity 1

beyond the door 1982 imdb - Oct 19 2023

web original title oltre la porta 1982 1h 50m imdb rating 4 8 10 252 your rating rate drama mastroianni plays an ex diplomat imprisoned for the murder of his wife who is visited by a young woman who is not only his lover but also his step daughter director liliana cavani writers liliana cavani enrico medioli stars

oltre la porta cineuropa - Mar 12 2023

web oltre la porta by liliana cavani synopsis mastroianni plays an ex diplomat imprisoned for the murder of his wife who is visited by a young woman who is not only his lover but also his step daughter cineuropa the best of european cinema

porta porta italian restaurant 24 reviews photos menu location - May 02 2022

web porta porta italian restaurant 24 reviews photos menu location food advisor porta porta italian restaurant videos photos reviews q a contact porta porta italian restaurant 6 porta porta italian restaurant location porta porta italian restaurant menus tiramisu grannyâ s cake dark chocolate profiterole videos

oltre la porta cineuropa - Oct 07 2022

web oltre la porta paese italia anno 1982 genere fiction regia liliana cavani durata 110 data di uscita it 05 09 1982 fr 04 05 1983 dk 11 02 1984 pt 16 05 1985 sceneggiatura liliana cavani enrico medioli cast

oltre la porta film 1982 comingsoon it - May 14 2023

web oltre la porta è un film di genere drammatico del 1982 diretto da liliana cavani con marcello mastroianni e eleonora giorgi durata 118 minuti distribuito da cineriz home film 1982

beyond the door 1982 directed by liliana cavani letterboxd - Jul 16 2023

web beyond the door 1982 directed by liliana cavani reviews film cast letterboxd 1982 oltre la porta directed by liliana cavani nina lives a morbid relationship with her stepfather who is serving time in prison for the murder of the girl s mother

oltre la porta cast e trama film super guida tv - Aug 05 2022

web oltre la porta è un film del 1982 di genere drammatico diretto da liliana cavani con marcello mastroianni eleonora giorgi tom berenger michel piccoli maria sofia amendolea durata 109

oltre la porta youtube - Jul 04 2022

web jan 7 2021 provided to youtube by universal music groupoltre la porta pino donaggiooltre la porta 1982 creazioni artistiche musicali c a m srl una società del grup

liliana cavani oltre la porta aka beyond obsession aka beyond - Apr 13 2023

web feb 28 2020 1981 1990 drama erotica italy liliana cavani liliana cavani oltre la porta aka beyond obsession aka beyond the door 1982 admin february 28 2020 0 4 004 from time out film guide there is something to be said for liliana cavani but it is difficult to remember what it is

francesca lai oltre la porta lyrics english translation - Dec 09 2022

web sep 19 2021 oltre la porta oltre la porta ci aspettano giorni feroci e tanti no bocche senza voce contro di te ignora che cosa dicono quelli che ci minacciano vogliono avere ragione e anche di più di più ed è più facile credere andare avanti e resistere oltre le apparenze e la fragilità

porta porta italian restaurant comunità italiana singapore - Jun 03 2022

web sep 10 2023 dopo oltre 25 anni al servizio dei nostri clienti a changi porta porta si è ora trasferita in un altra casa negozio al picardy garden situato vicino a simpang bedok lungo una fila di bottegh

oltre la porta manga animeclick it - Apr 01 2022

web trama oltre la porta è una raccolta di quattro storie brevi legate da un filo comune tutti e quattro i protagonisti si ritroveranno per un motivo o per l altro a soggiornare nel misterioso hotel che fa da cornice alle storie

oltre la porta film 1982 mymovies it - Jun 15 2023

web nina giovane italiana da tempo emigrata in marocco nasconde un terribile segreto il suo patrigno è in carcere con l accusa di aver ucciso sua madre che in realtà si era suicidata quando aveva scoperto la relazione tra l uomo e nina

beyond obsession 1982 marcello mastroianni youtube - Aug 17 2023

web aug 11 2021 9 4k views 1 year ago beyond obsession aka oltre la porta is a classic 1982 drama by liliana cavani also

director of francesco with mickey rourke and ripley s game with john malkovich co

oltre la porta wikipedia - Nov 08 2022

web oltre la porta è un film del 1982 diretto da liliana cavani trama il patrigno di nina è in carcere a marrakech in marocco accusato dell omicidio della madre della ragazza l uomo in realtà è innocente ma nina che conosce la verità lo vuole in carcere per poterlo dominare spetterà a un giovane americano portare a galla la verità

beyond the door 1982 the movie database tmdb - Feb 11 2023

web a young american man matthieu falls in love with nina and marries her but is soon abandoned by her when she goes to live with her stepfather who has meanwhile come out of prison old depressed and at the complete mercy of his stepdaughter

Фильм По ту сторону двери oltre la porta 2021 год - Feb 28 2022

web НОВИНКА НОВИНКА НОВИНКА Смотреть По ту сторону двери онлайн в хорошем качестве с хорошей озвучкой
Без рекламы

beyond the door 1982 filmaffinity - Jan 10 2023

web beyond the door is a film directed by liliana cavani with marcello mastroianni eleonora giorgi tom berenger michel piccoli year 1982 original title oltre la porta synopsis you can watch beyond the door through rent buy on the platforms amazon video

beyond the door 1982 film wikipedia - Sep 18 2023

web beyond the door italian oltre la porta and also known as beyond obsession is a 1982 italian drama film directed by liliana cavani cast marcello mastroianni as enrico sommi eleonora giorgi as nina tom berenger as matthew jackson michel piccoli as mr mutti paolo bonetti maria sofia amendolea as secretary enrico bergier

oltre la porta film 1982 trama cast foto movieplayer it - Sep 06 2022

web sep 5 1982 genere drammatico anno 1982 regia liliana cavani paese italia durata 110 min trama del film oltre la porta una strana relazione d amore e odio lega una bella ragazza al patrigno

calling all minds by temple grandin ph d 9781524738228 - Jan 08 2023

web in calling all minds temple grandin explores the ideas behind all of those questions and more she delves into the science behind inventions the steps various people took to create and improve upon ideas as they evolved and the ways in which young inventors can continue to think about and understand what it means to tinker to fiddle and to

calling all minds how to think and create like an inventor - Feb 09 2023

web apr 30 2019 buy calling all minds how to think and create like an inventor reprint by temple grandin ph d isbn 9781524738228 from amazon s book store everyday low prices and free delivery on eligible orders calling all minds how to think and create like an inventor amazon co uk temple grandin ph d 9781524738228 books skip to

calling all minds how to think and create like an inventor - Dec 27 2021

web apr 30 2019 calling all minds how to think and create like an inventor temple grandin ph d penguin apr 30 2019

juvenile nonfiction 240 pages from world renowned autism spokesperson scientist and

calling all minds how to think and create like an inventor - Apr 30 2022

web may 15 2018 parents need to know that calling all minds how to think and create like an inventor is by temple grandin a world renowned scientist and inventor who is also one of the best known adults on the autism spectrum the book has more than 20 hands on projects from making a jumping jack puppet and toy sailboat

calling all minds how to think and create like an inventor - Nov 06 2022

web may 15 2018 from world renowned autism spokesperson scientist and inventor temple grandin a book of personal stories inventions and facts that will blow young inventors minds and make them soar have you ever wondered what makes a kite fly or a boat float

calling all minds how to think and create like an inventor - May 12 2023

web may 15 2018 temple grandin ph d penguin may 15 2018 juvenile nonfiction 240 pages from world renowned autism spokesperson scientist and inventor temple grandin a book of personal stories

calling all minds how to think and create like an inventor - Sep 04 2022

web apr 30 2019 in calling all minds temple grandin explores the ideas behind all of those questions and more she delves into the science behind inventions the steps various people took to create and improve upon ideas as they evolved and the ways in which young inventors can continue to think about and understand what it means to tinker to fiddle

calling all minds how to think and create like an inventor ciltli - Jul 14 2023

web calling all minds how to think and create like an inventor grandin temple amazon com tr kitap

calling all minds how to think and create like an inventor - Aug 03 2022

web from world renowned autism spokesperson scientist and inventor temple grandin an audiobook of personal stories inventions and facts that will blow young inventors minds and make them soar

calling all minds how to think and create like an inventor - Apr 11 2023

web may 15 2018 from world renowned autism spokesperson scientist and inventor temple grandin a book of personal stories inventions and facts that will blow young inventors minds and make them soar

calling all minds how to think and create like an inventor - Oct 05 2022

web may 15 2018 paperback 599 00 7 new from 568 94 returns policy secure transaction from world renowned autism spokesperson scientist and inventor temple grandin a book of personal stories inventions and facts that will blow young inventors minds and make them soar

calling all minds how to think and create like an inventor - Dec 07 2022

web apr 30 2019 synopsis about this title from world renowned autism spokesperson scientist and inventor temple grandin a book of personal stories inventions and facts that will blow young inventors minds and make them soar

[calling all minds how to think and create like an inventor](#) - Jun 01 2022

web jan 1 2018 calling all minds how to think and create like an inventor temple grandin ann richardson on amazon com free shipping on qualifying offers calling all minds how to think and create like an inventor

calling all minds how to think and create like an inventor - Jun 13 2023

web apr 30 2019 in calling all minds temple grandin explores the ideas behind all of those questions and more she delves into the science behind inventions the steps various people took to create and improve upon ideas as they evolved and the ways in which young inventors can continue to think about and understand what it means to tinker to fiddle

grandin temple calling all minds how to think and create like an - Feb 26 2022

web may 26 2018 in calling all minds temple grandin explores the ideas behind all of those questions and more she delves into the science behind inventions the steps various people took to create and improve upon ideas as they evolved and the ways in which young inventors can continue to think about and understand what it means to tinker to fiddle

book review calling all minds how to think and create like an aace - Mar 30 2022

web jul 10 2018 temple grandin s book calling all minds how to think and create like an inventor opens with a description of her powerful ability to organise her thinking and her world as a series of detailed visual images what is visual thinking on the front cover grandin is described as world renowned scientist inventor and expert on visual

calling all minds how to think and create like an inventor thriftbooks - Jan 28 2022

web book overview from world renowned autism spokesperson scientist and inventor temple grandin a book of personal stories inventions and facts that will blow young inventors minds and make them soar

[calling all minds by temple grandin goodreads](#) - Mar 10 2023

web temple grandin 194 books 1 471 followers temple grandin ph d didn t talk until she was three and a half years old communicating her frustration instead by screaming peeping and humming in 1950 she was diagnosed with autism and her parents were told she should be institutionalized

ckla unit 2 calling all minds how to think and create like an - Jul 02 2022

web grade 6 language arts focus unit 2 calling all minds how to think and create like an inventor addresses science topics in an informational text read as part of the language arts program students will learn about inventors and their inventions

calling all minds how to think and create like an inventor - Aug 15 2023

web may 15 2018 calling all minds how to think and create like an inventor hardcover may 15 2018 from world renowned

autism spokesperson scientist and inventor temple grandin a book of personal stories inventions and facts that will blow young inventors minds and make them soar