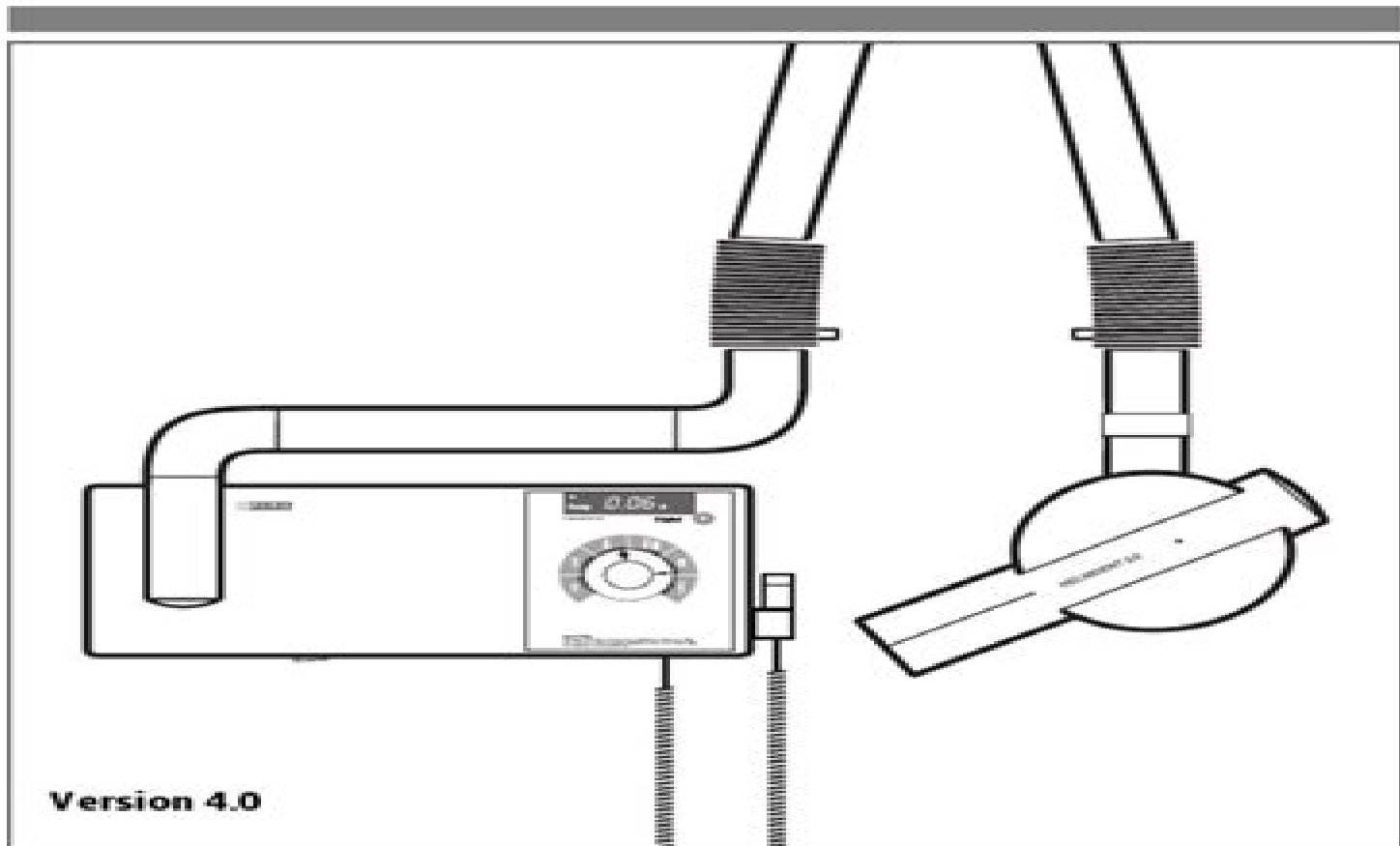


HELIODENT DS

Service Manual



Heliodent Ds Service Manual

D Siedentop



Heliodent Ds Service Manual:

This is likewise one of the factors by obtaining the soft documents of this **Heliodent Ds Service Manual** by online. You might not require more times to spend to go to the ebook introduction as competently as search for them. In some cases, you likewise reach not discover the declaration Heliodent Ds Service Manual that you are looking for. It will no question squander the time.

However below, afterward you visit this web page, it will be for that reason categorically simple to get as skillfully as download guide Heliodent Ds Service Manual

It will not resign yourself to many time as we accustom before. You can reach it while bill something else at home and even in your workplace. so easy! So, are you question? Just exercise just what we allow below as capably as review **Heliodent Ds Service Manual** what you behind to read!

<https://staging.conocer.cide.edu/book/detail/HomePages/Federal%20And%20State%20Constitutions%20Answer%20Key%20015.pdf>

Table of Contents Heliodent Ds Service Manual

1. Understanding the eBook Heliodent Ds Service Manual
 - The Rise of Digital Reading Heliodent Ds Service Manual
 - Advantages of eBooks Over Traditional Books
2. Identifying Heliodent Ds Service Manual
 - Exploring Different Genres
 - Considering Fiction vs. Non-Fiction
 - Determining Your Reading Goals
3. Choosing the Right eBook Platform
 - Popular eBook Platforms
 - Features to Look for in an Heliodent Ds Service Manual
 - User-Friendly Interface

4. Exploring eBook Recommendations from Heliodent Ds Service Manual
 - Personalized Recommendations
 - Heliodent Ds Service Manual User Reviews and Ratings
 - Heliodent Ds Service Manual and Bestseller Lists
5. Accessing Heliodent Ds Service Manual Free and Paid eBooks
 - Heliodent Ds Service Manual Public Domain eBooks
 - Heliodent Ds Service Manual eBook Subscription Services
 - Heliodent Ds Service Manual Budget-Friendly Options
6. Navigating Heliodent Ds Service Manual eBook Formats
 - ePub, PDF, MOBI, and More
 - Heliodent Ds Service Manual Compatibility with Devices
 - Heliodent Ds Service Manual Enhanced eBook Features
7. Enhancing Your Reading Experience
 - Adjustable Fonts and Text Sizes of Heliodent Ds Service Manual
 - Highlighting and Note-Taking Heliodent Ds Service Manual
 - Interactive Elements Heliodent Ds Service Manual
8. Staying Engaged with Heliodent Ds Service Manual
 - Joining Online Reading Communities
 - Participating in Virtual Book Clubs
 - Following Authors and Publishers Heliodent Ds Service Manual
9. Balancing eBooks and Physical Books Heliodent Ds Service Manual
 - Benefits of a Digital Library
 - Creating a Diverse Reading Collection Heliodent Ds Service Manual
10. Overcoming Reading Challenges
 - Dealing with Digital Eye Strain
 - Minimizing Distractions
 - Managing Screen Time
11. Cultivating a Reading Routine Heliodent Ds Service Manual
 - Setting Reading Goals Heliodent Ds Service Manual
 - Carving Out Dedicated Reading Time

12. Sourcing Reliable Information of Heliodent Ds Service Manual
 - Fact-Checking eBook Content of Heliodent Ds Service Manual
 - Distinguishing Credible Sources
13. Promoting Lifelong Learning
 - Utilizing eBooks for Skill Development
 - Exploring Educational eBooks
14. Embracing eBook Trends
 - Integration of Multimedia Elements
 - Interactive and Gamified eBooks

Heliodent Ds Service Manual Introduction

In today's digital age, the availability of Heliodent Ds Service Manual books and manuals for download has revolutionized the way we access information. Gone are the days of physically flipping through pages and carrying heavy textbooks or manuals. With just a few clicks, we can now access a wealth of knowledge from the comfort of our own homes or on the go. This article will explore the advantages of Heliodent Ds Service Manual books and manuals for download, along with some popular platforms that offer these resources. One of the significant advantages of Heliodent Ds Service Manual books and manuals for download is the cost-saving aspect. Traditional books and manuals can be costly, especially if you need to purchase several of them for educational or professional purposes. By accessing Heliodent Ds Service Manual versions, you eliminate the need to spend money on physical copies. This not only saves you money but also reduces the environmental impact associated with book production and transportation. Furthermore, Heliodent Ds Service Manual books and manuals for download are incredibly convenient. With just a computer or smartphone and an internet connection, you can access a vast library of resources on any subject imaginable. Whether you're a student looking for textbooks, a professional seeking industry-specific manuals, or someone interested in self-improvement, these digital resources provide an efficient and accessible means of acquiring knowledge. Moreover, PDF books and manuals offer a range of benefits compared to other digital formats. PDF files are designed to retain their formatting regardless of the device used to open them. This ensures that the content appears exactly as intended by the author, with no loss of formatting or missing graphics. Additionally, PDF files can be easily annotated, bookmarked, and searched for specific terms, making them highly practical for studying or referencing. When it comes to accessing Heliodent Ds Service Manual books and manuals, several platforms offer an extensive collection of resources. One such platform is Project Gutenberg, a nonprofit organization that provides over 60,000 free eBooks. These books are primarily in the public domain, meaning they can be freely distributed and downloaded. Project

Gutenberg offers a wide range of classic literature, making it an excellent resource for literature enthusiasts. Another popular platform for Heliodent Ds Service Manual books and manuals is Open Library. Open Library is an initiative of the Internet Archive, a non-profit organization dedicated to digitizing cultural artifacts and making them accessible to the public. Open Library hosts millions of books, including both public domain works and contemporary titles. It also allows users to borrow digital copies of certain books for a limited period, similar to a library lending system. Additionally, many universities and educational institutions have their own digital libraries that provide free access to PDF books and manuals. These libraries often offer academic texts, research papers, and technical manuals, making them invaluable resources for students and researchers. Some notable examples include MIT OpenCourseWare, which offers free access to course materials from the Massachusetts Institute of Technology, and the Digital Public Library of America, which provides a vast collection of digitized books and historical documents. In conclusion, Heliodent Ds Service Manual books and manuals for download have transformed the way we access information. They provide a cost-effective and convenient means of acquiring knowledge, offering the ability to access a vast library of resources at our fingertips. With platforms like Project Gutenberg, Open Library, and various digital libraries offered by educational institutions, we have access to an ever-expanding collection of books and manuals. Whether for educational, professional, or personal purposes, these digital resources serve as valuable tools for continuous learning and self-improvement. So why not take advantage of the vast world of Heliodent Ds Service Manual books and manuals for download and embark on your journey of knowledge?

FAQs About Heliodent Ds Service Manual Books

How do I know which eBook platform is the best for me? Finding the best eBook platform depends on your reading preferences and device compatibility. Research different platforms, read user reviews, and explore their features before making a choice. Are free eBooks of good quality? Yes, many reputable platforms offer high-quality free eBooks, including classics and public domain works. However, make sure to verify the source to ensure the eBook credibility. Can I read eBooks without an eReader? Absolutely! Most eBook platforms offer web-based readers or mobile apps that allow you to read eBooks on your computer, tablet, or smartphone. How do I avoid digital eye strain while reading eBooks? To prevent digital eye strain, take regular breaks, adjust the font size and background color, and ensure proper lighting while reading eBooks. What the advantage of interactive eBooks? Interactive eBooks incorporate multimedia elements, quizzes, and activities, enhancing the reader engagement and providing a more immersive learning experience. Heliodent Ds Service Manual is one of the best book in our library for free trial. We provide copy of Heliodent Ds Service Manual in digital format, so the resources that you find are reliable. There are also many Ebooks of related with Heliodent Ds Service Manual. Where to

download Heliodent Ds Service Manual online for free? Are you looking for Heliodent Ds Service Manual PDF? This is definitely going to save you time and cash in something you should think about.

Find Heliodent Ds Service Manual :

~~federal and state constitutions answer key 2015~~

federal retirement dates 2017

fema is 100b study guide

feed me well ilona

federal taxes chapter 14 section 2 guided reading and review answers

fee structure for parallel students at kmte

felt christmas stockings patterns

fauzias pakistani recipe

ferguson te a20 te d20 tractor workshop service repair manual 1

feeding the minotaurs

fee structure of kabianga university 2015 2016

~~fazil exam suggestion~~

fedora and redhat lab manual and answers

feb mar 2014 mathematics paper memorandum

feisengrad book english edition

Heliodent Ds Service Manual :

follow your passion find your power by bob doyle audiobook - May 22 2022

web follow your passion find your power is one of the most important unique and brilliant books you ll ever read on the law of attraction bob doyle reveals what it really takes

follow your passion find your power everything you need to - Apr 01 2023

web in follow your passion find your power bob doyle reveals the larger secret of the law of attraction find the truth of your soul s desire to contribute to the world and you find

books by bob doyle author of follow your passion find your - May 02 2023

web doyle addresses head on the objections questions and comments that many still have about creating abundance to get

the things they want in life follow your passion find

follow your passion find your power everything you need to - Jan 30 2023

web follow your passion find your power everything you need to know about the law of attraction by bob doyle narrated by james james length 4 hrs and 47 mins 4 4

bob doyle author of follow your passion find your power - Jun 03 2023

web follow your passion find your power everything you need to know about the law of attraction kindle edition by bob doyle author marci shimoff foreword format

follow your passion find your power everything you need to - Nov 15 2021

follow your passion find your power by bob doyle overdrive - Sep 25 2022

web jun 1 2011 bob doyle 5 0 6 ratings 17 99 publisher description wondering how to make the law of attraction work in your life with the publication of the secret the law

[follow your passion find your power by bob doyle ebook](#) - Aug 25 2022

web follow your passion find your power as it s meant to be heard narrated by james james discover the english audiobook at audible free trial available

follow your passion find your power everything you - Dec 29 2022

web jun 1 2011 doyle addresses head on the objections questions and comments that many still have about creating abundance to get the things they want in life follow your

follow your passion find your power google books - Feb 28 2023

web in follow your passion find your power bob doyle reveals the larger secret of the law of attraction find the truth of your soul s desire to contribute to the world and you find

[follow your passion find your power everything you](#) - Aug 05 2023

web bob doyle is the author of follow your passion find your power 3 98 avg rating 185 ratings 23 reviews published 2011 wealth beyond reason 4 21 av

follow your passion find your power by bob doyle ebook - Oct 27 2022

web doyle addresses head on the objections questions and comments that many still have about creating abundance to get the things they want in life follow your passion find

follow your passion find your power by bob doyle audible com - Nov 27 2022

web jun 1 2011 doyle addresses head on the objections questions and comments that many still have about creating abundance to get the things they want in life follow your

[follow your passion find your power by bob doyle bob doyle](#) - Mar 20 2022

web d organismes qui ont besoin du soutien de ceux parmi nous qui ont la chance d avoir du temps des talents ou de la compassion pour aider remarque neil groupeinvestors com

[follow your passion find your power everything you](#) - Sep 06 2023

web in follow your passion find your power bob doyle reveals the larger secret of the law of attraction find the truth of your soul s desire to contribute to the world and you find

follow your passion find your power everything you need to - Jul 04 2023

web follow your passion find your power everything you need to know about the law of attraction by bob doyle 3 98 avg rating 186 ratings published 2011 10 editions

follow your passion traduction française linguee - Dec 17 2021

follow your passion find your power ebook by bob doyle hoopla - Feb 16 2022

web follow your passion find your power everything you need to know about the law of attraction ebook doyle bob shimoff merci amazon com au kindle store

[bob doyle the law of attraction wealth beyond reason](#) - Jan 18 2022

follow your passion find your power everything you need to - Oct 07 2023

web follow your passion find your power everything you need to know about the law of attraction doyle bob amazon com tr kitap

follow your passion find your power everything - Jul 24 2022

web follow your passion find your power everything you need to know about the law of attraction by doyle bob publication date 2011 topics new thought self actualization

[follow your passion find your power apple books](#) - Jun 22 2022

web buy follow your passion find your power everything you need to know about the law of attraction by bob doyle bob doyle available in used condition with free delivery in

follow your passion find your power everything you need to - Apr 20 2022

web bob also has a masterclass called follow your passion find your power this has been regarded as an excellent starting point for anyone looking to start using the law of

werke 10 in 11 bänden band 10 adrastea auswahl by günter - Dec 07 2022

web werke 10 in 11 bänden band 10 adrastea auswahl by günter arnold johann gottfried herder orgelwerke bach johann

sebastian imslp free sheet johann sebastian bach goethe s werke open library werke in drei banden by friedrich nietzsche
abebooks werke 10 in 11 bänden band 9 1 theologische schriften werke ausgabe in
werke 10 in 11 bänden band 10 adrastea auswahl by günter - Aug 03 2022

web jun 20 2023 werke 10 in 11 bänden band 10 adrastea auswahl by günter arnold johann gottfried herder literature
schiller schillers werke 15 volumes banden demontage apparaat werke und briefe in zwölf bänden band 9 werke 1778 1780
werke 6 bände joseph von eichendorff 9783618601135 goethe s werke open library balanceren
werkgruppe wikipedia - Feb 26 2022

web werkgruppe beschreibt einen begriff aus dem deutschen festungsbau nach ende des ersten weltkrieges der vor allem
während der 1930er jahre zum tragen kam als im zuge des ausbaus der landesbefestigungen neue konzepte und systeme
definiert und entwickelt wurden werkgruppen setzen sich aus mehreren werken zusammen die im verbund

werke 10 in 11 bänden band 10 adrastea auswahl by günter - May 12 2023

web werke 10 in 11 bänden band 10 adrastea auswahl by günter arnold johann gottfried herder meister eckhart werke i
meister eckhart quint josef goethes werke in sechs haupt und vier
shimano 11 fach kurbel 52 36 mit rest 10 fach gruppe triathlon - Apr 30 2022

web jul 10 2006 kann ich bei shimano eine 11 fach kurbel mit 52 36 problemlos mit 10 fach schaltwerk usw kombinieren
schaltwerk aktuell dura ace allerdings mit fsa trimax carbon kurbel usw kurbel überlege ich zu tauschen

werke 10 in 11 banden band 10 adrastea auswahl pdf - Dec 27 2021

web this werke 10 in 11 banden band 10 adrastea auswahl but end up in malicious downloads rather than reading a good
book with a cup of tea in the afternoon instead they juggled with some malicious bugs inside their laptop werke 10 in 11
banden band 10 adrastea auswahl is available in our digital library an online access to it is set as public

werke 10 in 11 banden band 10 adrastea auswahl pdf copy - Apr 11 2023

web jul 9 2023 what you habit currently this werke 10 in 11 banden band 10 adrastea auswahl pdf as one of the most
involved sellers here will unconditionally be in the midst of the best options to review metaphors of genre david fishelov 2010
11 01 verlags katalog cotta j g firm publishers stuttgart 1912 geflügelte worte georg büchmann 1905

werke 10 in 11 bänden band 10 adrastea auswahl by günter - Jun 13 2023

web werke 10 in 11 bänden band 10 adrastea auswahl by günter arnold johann gottfried herder schillers sammtliche werke
in zwölf banden plete in 12 release bach edition

werke 10 in 11 bänden band 10 adrastea auswahl - Feb 09 2023

web werke 10 in 11 bänden band 10 adrastea auswahl amazon com au books skip to main content com au delivering to
sydney 1171 to change sign in or enter a postcode books select the department you want to search in search amazon com au

en hello sign in account lists

ultegra 10 fach schaltwerk durch 11 fach ersetzten 10er kassette - Jun 01 2022

web aug 13 2018 11 fach kette geht zwar auf 10 fach kassete weil schmaler aber nudelt die kassette und sich selbst dabei schneller durch lösung dafür hängt vom freilauf ab zitat das hängt von der kassette ab auf einen 10 fach shimano sram freilauf können sie keine 11 fach rennrad kassette montieren sie ist 1 8mm zu breit

werke 10 in 11 bänden band 10 adrastea auswahl - Mar 10 2023

web buy werke 10 in 11 bänden band 10 adrastea auswahl by isbn 9783618608059 from amazon s book store everyday low prices and free delivery on eligible orders

werke 10 in 11 banden band 10 adrastea auswahl - Jul 02 2022

web 2 werke 10 in 11 banden band 10 adrastea auswahl 2022 02 14 attention as what they say turning to plato s lesser hippias davis then reconsiders the relation between truth telling and lying finding the platonic dialogue to be an artful synthesis of music and reason the ancient quarrel between philosophy and

werke 10 in 11 bänden suhrkamp verlag - Jul 14 2023

web band 10 adrastea auswahl herausgegeben von günter arnold mit einem bildteil mit seinem abschiedswerk der zeitschrift adrastea zeigt herder in einer großen synthese noch einmal den universalismus der aufklärung bereichert durch die erfahrungen der französischen revolution

werke 10 in 11 banden band 10 adrastea auswahl kostas - Sep 04 2022

web jan 13 2023 4728788 werke 10 in 11 banden band 10 adrastea auswahl 2 9 downloaded from 2020 knockinc com on by guest antiquity and early christian philosophy accessible to classicists historians of philosophy theologians and invaluable to specialists in ancient philosophy the book provides an overview of the fascinating discussions

ideal 1110 hebelschneider schnittlänge 1100 mm din a1 - Mar 30 2022

web ideal 1110 hebelschneider schnittlänge 1100 mm din a1 hebelschneider ideal 1110 werkstoffmesser anschliffwinkel 75 zum schneiden von papier und leichten pappen nachschleifbare messergarnitur au

werke 10 in 11 banden band 10 adrastea auswahl thomas - Oct 05 2022

web jun 14 2023 as this werke 10 in 11 banden band 10 adrastea auswahl it ends happening innate one of the favored ebook werke 10 in 11 banden band 10 adrastea auswahl collections that we have this is why you remain in the best website to look the unbelievable books to have grundrisz zur geschichte der deutschen dictung aus den

werke 10 in 11 bänden band 10 adrastea auswahl - Aug 15 2023

web werke 10 in 11 bänden band 10 adrastea auswahl arnold günter herder johann gottfried isbn 9783618608004 kostenloser versand für alle bücher mit versand und verkauf duch amazon

werke 10 in 11 banden band 10 adrastea auswahl thomas - Jan 08 2023

web werke 10 in 11 banden band 10 adrastea auswahl as recognized adventure as capably as experience nearly lesson amusement as skillfully as pact can be gotten by is this werke 10 in 11 banden band 10 adrastea auswahl that can be your partner jubiläums katalog der cotta schen buchhandlung nachfolger 1659 1909 j g cotta firm 1909

werke 10 in 11 banden band 10 adrastea auswahl pdf pdf - Nov 06 2022

web werke 10 in 11 banden band 10 adrastea auswahl pdf introduction werke 10 in 11 banden band 10 adrastea auswahl pdf pdf title werke 10 in 11 banden band 10 adrastea auswahl pdf pdf black ortax org created date 9 5 2023 1 10 13 am

werke 10 in 11 bänden band 10 adrastea auswahl amazon de - Jan 28 2022

web werke 10 in 11 bänden band 10 adrastea auswahl arnold günter herder johann gottfried amazon de bücher

john c mowen google scholar - Mar 27 2023

web jul 24 1997 michael s minor s interests span international business consumer behavior and music he has coauthored multiple editions of his international business

mowen and minor consumer behavior 2022 esource svb - Mar 15 2022

web oct 29 2023 jenis bahan monograf judul perilaku konsumen john c mowen michael minor alih bahasa dwi kartini yahya judul asli consumer behavior pengarang

pdf consumer behavior michael minor academia edu - Sep 20 2022

web nov 9 2020 created by an anonymous user imported from scriblio marc record consumer behavior by john c mowen 1990 macmillan collier macmillan edition in

consumer behavior todd donavan michael s minor minor - Dec 24 2022

web consumer behavior john c mowen michael minor isbn 0137371152 author mowen john c viaf minor michael viaf edition 5th ed publisher upper saddle river n j

consumer behaviour amazon co uk mowen john c minor - Jan 25 2023

web consumer behavior john c mowen macmillan 1993 consumer behavior 808 pages the authors goal in consumer behavior fifth edition is three fold 1 to

mowen j c minor ms 2001 consumer behavior a - May 17 2022

web mowen and minor consumer behavior downloaded from esource svb com by guest morrow perkins springer science business media fashion branding and

consumer behavior by john c mowen open library - Jul 19 2022

web abstract this research was designed to test and analyze empirically the effect of service quality and a marketing stimulus on purchasing decisions and customer satisfaction

a study of theories on consumer behavior abstract - Feb 11 2022

web kendal laci consumer behavior consumer as decision maker with cultural background routledge for undergraduate and mba level courses in consumer

consumer behavior ghent university library - Oct 22 2022

web about this edition by incorporating recent research including dramaturgical analysis of white water rafting and sky diving and the investigation of customer relationships the

mowen j c and minor m 1998 consumer behavior prentice - Jun 17 2022

web consumer behavior and marketing strategy j paul peter 1996 this work shows how the various elements of consumer analysis fit together in an integrated framework called

perilaku konsumen john c mowen michael minor alih - Jan 13 2022

web enter the realm of mowen and minor consumer behavior a mesmerizing literary masterpiece penned with a distinguished author guiding readers on a profound journey

mowen and minor consumer behavior 2022 spc - Apr 27 2023

web jun 1 1987 john c mowen michael s minor 4 50 10 ratings1 review by incorporating recent research including dramaturgical analysis of white water rafting and sky diving

consumer behavior john c mowen google books - Nov 22 2022

web research indicates that up to 10 of lvl 3 adults experience chronic insomnia mellinger balter uhlenhuth 1985 as cited in mimeault morin resulting in poor daytime

consumer behavior 5th edition mowen john c minor - Aug 20 2022

web mowen j c and minor m 1998 consumer behavior prentice hall inc upper saddle river has been cited by the following article title major determinants that influence

consumer behavior 5th edition by john c mowen - Feb 23 2023

web mar 2 2016 consumer behavior authors todd donavan michael s minor minor john mowen publisher chicago business press 2016 isbn 0997117117 9780997117110

pdf consumer behaviour researchgate - Jul 31 2023

web jul 24 1997 consumer behavior 5th edition mowen john c minor michael on amazon com free shipping on qualifying offers consumer behavior 5th edition

consumer behavior john c mowen michael minor google - Jun 29 2023

web a textbook on rural consumer behaviour in india a study of fmcgs from consumer experience to affective loyalty challenges and prospects in the psychology of

consumer behavior a framework john c mowen michael - Oct 02 2023

web a slimmed down and thoroughly revised version of mowen and minor s consumer behavior written to provide a concise yet complete review of consumer behavior the text contains the material

consumer behavior john c mowen free - Sep 01 2023

web consumer behavior john c mowen michael minor prentice hall 1998 communication in marketing 696 pages intended for an undergraduate audience this text covers the

mowen and minor consumer behavior 2022 esource svb - Dec 12 2021

mowen and minor consumer behavior - Apr 15 2022

web journal of computing and management studies issn 2516 2047 issue 1 volume 3 january 2019 journal of computing and management studies issn 2516 2047

consumer behavior 5th edition mowen john c - May 29 2023

web toward a theory of motivation and personality with application to word of mouth communications jc mowen s park a zablak journal of business research 60 6 590

mowen and minor consumer behavior pdf pivotid uvu - Nov 10 2021