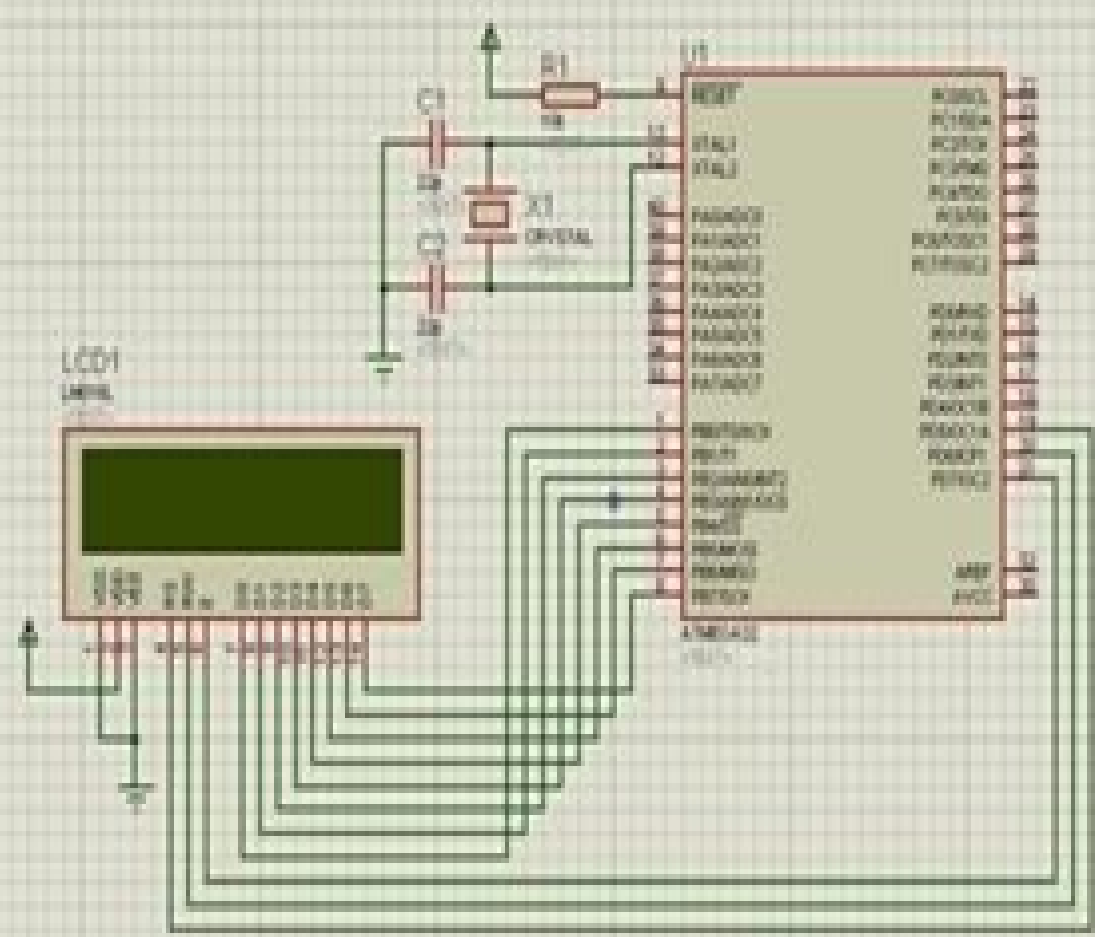




- SEARCH
- LIBRARY
- COMPONENTS
- RESISTOR
- CAPACITOR
- DIODE
- LED
- SWITCH
- BUTTON
- RELAY
- TRANSISTOR
- IC
- CRYSTAL
- INDUCTOR
- COIL
- SPRING
- WIRE
- GROUND



Lcd Code For Atmega32

Didier Musso



Lcd Code For Atmega32:

This book delves into Lcd Code For Atmega32. Lcd Code For Atmega32 is an essential topic that must be grasped by everyone, ranging from students and scholars to the general public. This book will furnish comprehensive and in-depth insights into Lcd Code For Atmega32, encompassing both the fundamentals and more intricate discussions.

1. This book is structured into several chapters, namely:
 - Chapter 1: Introduction to Lcd Code For Atmega32
 - Chapter 2: Essential Elements of Lcd Code For Atmega32
 - Chapter 3: Lcd Code For Atmega32 in Everyday Life
 - Chapter 4: Lcd Code For Atmega32 in Specific Contexts
 - Chapter 5: Conclusion
2. In chapter 1, this book will provide an overview of Lcd Code For Atmega32. This chapter will explore what Lcd Code For Atmega32 is, why Lcd Code For Atmega32 is vital, and how to effectively learn about Lcd Code For Atmega32.
3. In chapter 2, the author will delve into the foundational concepts of Lcd Code For Atmega32. This chapter will elucidate the essential principles that need to be understood to grasp Lcd Code For Atmega32 in its entirety.
4. In chapter 3, this book will examine the practical applications of Lcd Code For Atmega32 in daily life. The third chapter will showcase real-world examples of how Lcd Code For Atmega32 can be effectively utilized in everyday scenarios.
5. In chapter 4, the author will scrutinize the relevance of Lcd Code For Atmega32 in specific contexts. The fourth chapter will explore how Lcd Code For Atmega32 is applied in specialized fields, such as education, business, and technology.
6. In chapter 5, this book will draw a conclusion about Lcd Code For Atmega32. The final chapter will summarize the key points that have been discussed throughout the book.

This book is crafted in an easy-to-understand language and is complemented by engaging illustrations. This book is highly recommended for anyone seeking to gain a comprehensive understanding of Lcd Code For Atmega32.

https://staging.conocer.cide.edu/data/book-search/index.jsp/Liebherr_Crane_Operation_Manual.pdf

Table of Contents Lcd Code For Atmega32

1. Understanding the eBook Lcd Code For Atmega32

- The Rise of Digital Reading Lcd Code For Atmega32
- Advantages of eBooks Over Traditional Books
- 2. Identifying Lcd Code For Atmega32
 - Exploring Different Genres
 - Considering Fiction vs. Non-Fiction
 - Determining Your Reading Goals
- 3. Choosing the Right eBook Platform
 - Popular eBook Platforms
 - Features to Look for in an Lcd Code For Atmega32
 - User-Friendly Interface
- 4. Exploring eBook Recommendations from Lcd Code For Atmega32
 - Personalized Recommendations
 - Lcd Code For Atmega32 User Reviews and Ratings
 - Lcd Code For Atmega32 and Bestseller Lists
- 5. Accessing Lcd Code For Atmega32 Free and Paid eBooks
 - Lcd Code For Atmega32 Public Domain eBooks
 - Lcd Code For Atmega32 eBook Subscription Services
 - Lcd Code For Atmega32 Budget-Friendly Options
- 6. Navigating Lcd Code For Atmega32 eBook Formats
 - ePub, PDF, MOBI, and More
 - Lcd Code For Atmega32 Compatibility with Devices
 - Lcd Code For Atmega32 Enhanced eBook Features
- 7. Enhancing Your Reading Experience
 - Adjustable Fonts and Text Sizes of Lcd Code For Atmega32
 - Highlighting and Note-Taking Lcd Code For Atmega32
 - Interactive Elements Lcd Code For Atmega32
- 8. Staying Engaged with Lcd Code For Atmega32
 - Joining Online Reading Communities
 - Participating in Virtual Book Clubs
 - Following Authors and Publishers Lcd Code For Atmega32

9. Balancing eBooks and Physical Books Lcd Code For Atmega32
 - Benefits of a Digital Library
 - Creating a Diverse Reading Collection Lcd Code For Atmega32
10. Overcoming Reading Challenges
 - Dealing with Digital Eye Strain
 - Minimizing Distractions
 - Managing Screen Time
11. Cultivating a Reading Routine Lcd Code For Atmega32
 - Setting Reading Goals Lcd Code For Atmega32
 - Carving Out Dedicated Reading Time
12. Sourcing Reliable Information of Lcd Code For Atmega32
 - Fact-Checking eBook Content of Lcd Code For Atmega32
 - Distinguishing Credible Sources
13. Promoting Lifelong Learning
 - Utilizing eBooks for Skill Development
 - Exploring Educational eBooks
14. Embracing eBook Trends
 - Integration of Multimedia Elements
 - Interactive and Gamified eBooks

Lcd Code For Atmega32 Introduction

Free PDF Books and Manuals for Download: Unlocking Knowledge at Your Fingertips In today's fast-paced digital age, obtaining valuable knowledge has become easier than ever. Thanks to the internet, a vast array of books and manuals are now available for free download in PDF format. Whether you are a student, professional, or simply an avid reader, this treasure trove of downloadable resources offers a wealth of information, conveniently accessible anytime, anywhere. The advent of online libraries and platforms dedicated to sharing knowledge has revolutionized the way we consume information. No longer confined to physical libraries or bookstores, readers can now access an extensive collection of digital books and manuals with just a few clicks. These resources, available in PDF, Microsoft Word, and PowerPoint formats, cater to a wide range of interests, including literature, technology, science, history, and much more. One notable platform where you can explore and download free Lcd Code For Atmega32 PDF books and manuals is the internet's largest free library. Hosted

online, this catalog compiles a vast assortment of documents, making it a veritable goldmine of knowledge. With its easy-to-use website interface and customizable PDF generator, this platform offers a user-friendly experience, allowing individuals to effortlessly navigate and access the information they seek. The availability of free PDF books and manuals on this platform demonstrates its commitment to democratizing education and empowering individuals with the tools needed to succeed in their chosen fields. It allows anyone, regardless of their background or financial limitations, to expand their horizons and gain insights from experts in various disciplines. One of the most significant advantages of downloading PDF books and manuals lies in their portability. Unlike physical copies, digital books can be stored and carried on a single device, such as a tablet or smartphone, saving valuable space and weight. This convenience makes it possible for readers to have their entire library at their fingertips, whether they are commuting, traveling, or simply enjoying a lazy afternoon at home. Additionally, digital files are easily searchable, enabling readers to locate specific information within seconds. With a few keystrokes, users can search for keywords, topics, or phrases, making research and finding relevant information a breeze. This efficiency saves time and effort, streamlining the learning process and allowing individuals to focus on extracting the information they need. Furthermore, the availability of free PDF books and manuals fosters a culture of continuous learning. By removing financial barriers, more people can access educational resources and pursue lifelong learning, contributing to personal growth and professional development. This democratization of knowledge promotes intellectual curiosity and empowers individuals to become lifelong learners, promoting progress and innovation in various fields. It is worth noting that while accessing free Lcd Code For Atmega32 PDF books and manuals is convenient and cost-effective, it is vital to respect copyright laws and intellectual property rights. Platforms offering free downloads often operate within legal boundaries, ensuring that the materials they provide are either in the public domain or authorized for distribution. By adhering to copyright laws, users can enjoy the benefits of free access to knowledge while supporting the authors and publishers who make these resources available. In conclusion, the availability of Lcd Code For Atmega32 free PDF books and manuals for download has revolutionized the way we access and consume knowledge. With just a few clicks, individuals can explore a vast collection of resources across different disciplines, all free of charge. This accessibility empowers individuals to become lifelong learners, contributing to personal growth, professional development, and the advancement of society as a whole. So why not unlock a world of knowledge today? Start exploring the vast sea of free PDF books and manuals waiting to be discovered right at your fingertips.

FAQs About Lcd Code For Atmega32 Books

How do I know which eBook platform is the best for me? Finding the best eBook platform depends on your reading

preferences and device compatibility. Research different platforms, read user reviews, and explore their features before making a choice. Are free eBooks of good quality? Yes, many reputable platforms offer high-quality free eBooks, including classics and public domain works. However, make sure to verify the source to ensure the eBook credibility. Can I read eBooks without an eReader? Absolutely! Most eBook platforms offer webbased readers or mobile apps that allow you to read eBooks on your computer, tablet, or smartphone. How do I avoid digital eye strain while reading eBooks? To prevent digital eye strain, take regular breaks, adjust the font size and background color, and ensure proper lighting while reading eBooks. What the advantage of interactive eBooks? Interactive eBooks incorporate multimedia elements, quizzes, and activities, enhancing the reader engagement and providing a more immersive learning experience. Lcd Code For Atmega32 is one of the best book in our library for free trial. We provide copy of Lcd Code For Atmega32 in digital format, so the resources that you find are reliable. There are also many Ebooks of related with Lcd Code For Atmega32. Where to download Lcd Code For Atmega32 online for free? Are you looking for Lcd Code For Atmega32 PDF? This is definitely going to save you time and cash in something you should think about. If you trying to find then search around for online. Without a doubt there are numerous these available and many of them have the freedom. However without doubt you receive whatever you purchase. An alternate way to get ideas is always to check another Lcd Code For Atmega32. This method for see exactly what may be included and adopt these ideas to your book. This site will almost certainly help you save time and effort, money and stress. If you are looking for free books then you really should consider finding to assist you try this. Several of Lcd Code For Atmega32 are for sale to free while some are payable. If you arent sure if the books you would like to download works with for usage along with your computer, it is possible to download free trials. The free guides make it easy for someone to free access online library for download books to your device. You can get free download on free trial for lots of books categories. Our library is the biggest of these that have literally hundreds of thousands of different products categories represented. You will also see that there are specific sites catered to different product types or categories, brands or niches related with Lcd Code For Atmega32. So depending on what exactly you are searching, you will be able to choose e books to suit your own need. Need to access completely for Campbell Biology Seventh Edition book? Access Ebook without any digging. And by having access to our ebook online or by storing it on your computer, you have convenient answers with Lcd Code For Atmega32 To get started finding Lcd Code For Atmega32, you are right to find our website which has a comprehensive collection of books online. Our library is the biggest of these that have literally hundreds of thousands of different products represented. You will also see that there are specific sites catered to different categories or niches related with Lcd Code For Atmega32 So depending on what exactly you are searching, you will be able to choose ebook to suit your own need. Thank you for reading Lcd Code For Atmega32. Maybe you have knowledge that, people have search numerous times for their favorite readings like this Lcd Code For Atmega32, but end up in harmful downloads. Rather than reading a good book with a

cup of coffee in the afternoon, instead they juggled with some harmful bugs inside their laptop. Lcd Code For Atmega32 is available in our book collection an online access to it is set as public so you can download it instantly. Our digital library spans in multiple locations, allowing you to get the most less latency time to download any of our books like this one. Merely said, Lcd Code For Atmega32 is universally compatible with any devices to read.

Find Lcd Code For Atmega32 :

liebherr crane operation manual

lg wm3677hw manual

lg vx520user guide

library assistant quiz

liberteacute sexuelle chez les mosos

lhomme qui ne savait pas dire non

lifan 150 manual

life after mel english edition

lg w1946sn monitor service manual

liberty mutual manual material hling tables

life orientation grade 12 september 2013 memo

lia sophia fall guide 2013

life game instruction manual

liberty honda service hours

life cycle of the peppered moth answers

Lcd Code For Atmega32 :

Elementary Survey Sampling (7th Edition) Solutions Course Hero-verified solutions and explanations · Chapter 2Elements of the Sampling Problem · Chapter 3Some Basic Concepts of Statistics · Chapter 4Simple ... Student Solutions Manual for Scheaffer/Mendenhall/Ott/ ... Access Student Solutions Manual for Scheaffer/Mendenhall/Ott/Gerow's Elementary Survey Sampling 7th Edition solutions now. Our solutions are written by ... Elementary Survey Sampling Textbook Solutions Elementary Survey Sampling textbook solutions from Chegg, view all supported editions ... Elementary Survey Sampling 7th Edition by Richard L. Scheaffer, R Lyman ... Student Solutions Manual for... by Scheaffer, Richard L. Student Solutions

Manual for Scheaffer/Mendenhall/Ott/Gerow's Elementary Survey Sampling. 7th Edition. ISBN-13: 978-1111988425, ISBN-10: 1111988420. 3.5 3.5 ... (PDF) Elementary Survey Sampling Solu Man | Cathy Wu Numerical solutions for a class of multi-part mixed boundary value problems. 1978 • Orhan Aksoğan. Download Free PDF View PDF. Veterinary Pathology. Elementary Survey Sampling (7th Edition) - UCSB - Uloop Read UC Santa Barbara Elementary Survey Sampling (7th Edition) Chapter 4 Textbook Solutions for answers to questions in this UCSB textbook. Student Solutions Manual for Scheaffer/Mendenhall/Ott ... Student Solutions Manual for Scheaffer/Mendenhall/Ott/Gerow's Elementary Survey Sampling, 7th Edition ; Starting At \$104.95 ; Overview. This manual contains fully ... Solutions For Elementary Survey Sampling 7th Edition (2022) Designing Household Survey Samples. Using R for Introductory Statistics. Elementary Surveying. Sampling. Communities in Action. Educating the Student Body. Student Solutions Manual for Scheaffer/Mendenhall/Ott ... Student Solutions Manual for Scheaffer/Mendenhall/Ott/Gerow's Elementary Survey Sampling | 7th Edition. Richard L. Scheaffer/William Mendenhall, III/R. Lyman ... Elementary Survey Sampling - 7th Edition Find step-by-step solutions and answers to Elementary Survey Sampling - 9781111988425, as well as thousands of textbooks so you can move forward with ... Cellar of Horror: The Story of Gary Heidnik by Englade, Ken The book takes you through much of his life before the crimes and continues through his conviction. It also includes botched opportunities to discover his ... Cellar of Horror Four young women had been held captive--some for four months--half-naked and chained. They had been tortured, starved, and repeatedly raped. But more grotesque ... Cellar of Horror: The Story of Gary Heidnik "Cellar of Horror" tells a story of 5 women who were tortured and humiliated both aggressively and sexually, because of a sadistic man who wanted to run a "baby ... Cellar of Horror: The Story of Gary Heidnik by Ken Englade "Cellar of Horror" tells the story of Philly psychopath Gary Heidnik. He kidnapped, raped, beat, killed, cooked and force fed women chained in his basement. The ... Cellar of Horror: The Story of Gary Heidnik (Paperback) Ken Englade (1938-2016) was an investigative reporter and bestselling author whose books include Beyond Reason, To Hatred Turned, Cellar of Horror, A Family ... Cellar of Horror: The Story of Gary Heidnik Revised edition ... The book takes you through much of his life before the crimes and continues through his conviction. It also includes botched opportunities to discover his ... Cellar of Horror: The Story of Gary Heidnik (Paperback) Cellar of Horror: The Story of Gary Heidnik (Paperback). By Ken Englade. \$21.99. Ships to Our Store in 1-5 Days (This book ... Cellar of Horror: The Story of Gary Heidnik - Softcover Serial killer Gary Heidnik's name will live on in infamy, and his home, 3520 North Marshall Street in Philadelphia, is a house tainted with the memory of ... Cellar of Horror by Ken Englade - Audiobook Listen to the Cellar of Horror audiobook by Ken Englade, narrated by Eric Jason Martin. Serial killer Gary Heidnik's name will live on in infamy, ... FLMI Level 1 Certificate in Insurance Fundamentals Insurance Principles. LOMA 280 — Principles of Insurance. Great for New Employees. Online. Supervised Exam. Duration: 16+ hours to complete. OR. LOMA 281 — ... LOMA At LOMA, our purpose is to advance the life insurance and financial services ... Recruiting,

assessment, fraud prevention, remote work, benchmarking—we ... What are the benefits of getting a LOMA insurance exam ... Jul 22, 2017 — This certification can lead to better job opportunities and higher earning potential. It also helps you stay updated with industry knowledge and ... Life Office Management Association LOMA offers an employee training and development program used by the majority of American life insurance companies, and by life insurance companies in over 70 ... LOMA 280 INSURANCE EXAM Flashcards Study Flashcards On LOMA 280 INSURANCE EXAM at Cram.com. Quickly memorize the terms, phrases and much more. Cram.com makes it easy to get the grade you ... LOMA Courses | INSTITUTE OF FINANCIAL STUDIES FLMI: Teaches advanced insurance and financial concepts to build a deeper understanding of the insurance business ... exam I*Star (Individually Scheduled Test and ... LOMA Certification Exam Free Questions - YouTube LOMA 280 #S02 #Life Insurance#Test Preparation ... - YouTube LOMA 280 Test PDF | PDF | Life Insurance Learning Objective: Identify the five characteristics of insurable risks. ... correctly represents a characteristic of insurable risk. ... the losses that the ... Test Preparation Guide for LOMA 290 Insurance Company ... Test Preparation Guide for LOMA 290 Insurance Company Operations [Sean Schaeffer et al Gilley] on Amazon.com. *FREE* shipping on qualifying offers.