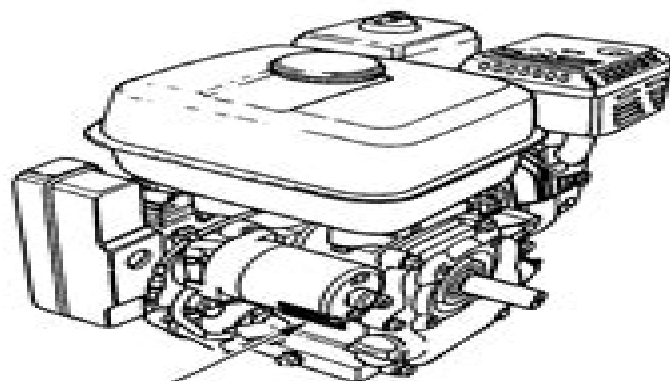


HONDA

GX120 · GX160 · GX200



Serial number and
engine type

OWNER'S MANUAL

32ZH7620
00X32-ZH7-6201

1

HONDA EUROPE N.V. (EEC)
www.honda-engines-eu.com



Gx160 Workshop Manual

Roman Wölfel



Gx160 Workshop Manual:

As recognized, adventure as without difficulty as experience practically lesson, amusement, as competently as bargain can be gotten by just checking out a ebook **Gx160 Workshop Manual** then it is not directly done, you could agree to even more going on for this life, all but the world.

We give you this proper as capably as easy habit to acquire those all. We meet the expense of Gx160 Workshop Manual and numerous ebook collections from fictions to scientific research in any way. along with them is this Gx160 Workshop Manual that can be your partner.

https://staging.conocer.cide.edu/public/Resources/index.jsp/kawasaki_kv750_brute_force_2005_service_repair_manual.pdf

Table of Contents Gx160 Workshop Manual

1. Understanding the eBook Gx160 Workshop Manual
 - The Rise of Digital Reading Gx160 Workshop Manual
 - Advantages of eBooks Over Traditional Books
2. Identifying Gx160 Workshop Manual
 - Exploring Different Genres
 - Considering Fiction vs. Non-Fiction
 - Determining Your Reading Goals
3. Choosing the Right eBook Platform
 - Popular eBook Platforms
 - Features to Look for in an Gx160 Workshop Manual
 - User-Friendly Interface
4. Exploring eBook Recommendations from Gx160 Workshop Manual
 - Personalized Recommendations
 - Gx160 Workshop Manual User Reviews and Ratings
 - Gx160 Workshop Manual and Bestseller Lists
5. Accessing Gx160 Workshop Manual Free and Paid eBooks

- Gx160 Workshop Manual Public Domain eBooks
 - Gx160 Workshop Manual eBook Subscription Services
 - Gx160 Workshop Manual Budget-Friendly Options
6. Navigating Gx160 Workshop Manual eBook Formats
 - ePub, PDF, MOBI, and More
 - Gx160 Workshop Manual Compatibility with Devices
 - Gx160 Workshop Manual Enhanced eBook Features
 7. Enhancing Your Reading Experience
 - Adjustable Fonts and Text Sizes of Gx160 Workshop Manual
 - Highlighting and Note-Taking Gx160 Workshop Manual
 - Interactive Elements Gx160 Workshop Manual
 8. Staying Engaged with Gx160 Workshop Manual
 - Joining Online Reading Communities
 - Participating in Virtual Book Clubs
 - Following Authors and Publishers Gx160 Workshop Manual
 9. Balancing eBooks and Physical Books Gx160 Workshop Manual
 - Benefits of a Digital Library
 - Creating a Diverse Reading Collection Gx160 Workshop Manual
 10. Overcoming Reading Challenges
 - Dealing with Digital Eye Strain
 - Minimizing Distractions
 - Managing Screen Time
 11. Cultivating a Reading Routine Gx160 Workshop Manual
 - Setting Reading Goals Gx160 Workshop Manual
 - Carving Out Dedicated Reading Time
 12. Sourcing Reliable Information of Gx160 Workshop Manual
 - Fact-Checking eBook Content of Gx160 Workshop Manual
 - Distinguishing Credible Sources
 13. Promoting Lifelong Learning
 - Utilizing eBooks for Skill Development

- Exploring Educational eBooks
14. Embracing eBook Trends
- Integration of Multimedia Elements
 - Interactive and Gamified eBooks

Gx160 Workshop Manual Introduction

Free PDF Books and Manuals for Download: Unlocking Knowledge at Your Fingertips In today's fast-paced digital age, obtaining valuable knowledge has become easier than ever. Thanks to the internet, a vast array of books and manuals are now available for free download in PDF format. Whether you are a student, professional, or simply an avid reader, this treasure trove of downloadable resources offers a wealth of information, conveniently accessible anytime, anywhere. The advent of online libraries and platforms dedicated to sharing knowledge has revolutionized the way we consume information. No longer confined to physical libraries or bookstores, readers can now access an extensive collection of digital books and manuals with just a few clicks. These resources, available in PDF, Microsoft Word, and PowerPoint formats, cater to a wide range of interests, including literature, technology, science, history, and much more. One notable platform where you can explore and download free Gx160 Workshop Manual PDF books and manuals is the internet's largest free library. Hosted online, this catalog compiles a vast assortment of documents, making it a veritable goldmine of knowledge. With its easy-to-use website interface and customizable PDF generator, this platform offers a user-friendly experience, allowing individuals to effortlessly navigate and access the information they seek. The availability of free PDF books and manuals on this platform demonstrates its commitment to democratizing education and empowering individuals with the tools needed to succeed in their chosen fields. It allows anyone, regardless of their background or financial limitations, to expand their horizons and gain insights from experts in various disciplines. One of the most significant advantages of downloading PDF books and manuals lies in their portability. Unlike physical copies, digital books can be stored and carried on a single device, such as a tablet or smartphone, saving valuable space and weight. This convenience makes it possible for readers to have their entire library at their fingertips, whether they are commuting, traveling, or simply enjoying a lazy afternoon at home. Additionally, digital files are easily searchable, enabling readers to locate specific information within seconds. With a few keystrokes, users can search for keywords, topics, or phrases, making research and finding relevant information a breeze. This efficiency saves time and effort, streamlining the learning process and allowing individuals to focus on extracting the information they need. Furthermore, the availability of free PDF books and manuals fosters a culture of continuous learning. By removing financial barriers, more people can access educational resources and pursue lifelong learning, contributing to personal growth and professional development. This democratization of knowledge promotes intellectual curiosity and empowers

individuals to become lifelong learners, promoting progress and innovation in various fields. It is worth noting that while accessing free Gx160 Workshop Manual PDF books and manuals is convenient and cost-effective, it is vital to respect copyright laws and intellectual property rights. Platforms offering free downloads often operate within legal boundaries, ensuring that the materials they provide are either in the public domain or authorized for distribution. By adhering to copyright laws, users can enjoy the benefits of free access to knowledge while supporting the authors and publishers who make these resources available. In conclusion, the availability of Gx160 Workshop Manual free PDF books and manuals for download has revolutionized the way we access and consume knowledge. With just a few clicks, individuals can explore a vast collection of resources across different disciplines, all free of charge. This accessibility empowers individuals to become lifelong learners, contributing to personal growth, professional development, and the advancement of society as a whole. So why not unlock a world of knowledge today? Start exploring the vast sea of free PDF books and manuals waiting to be discovered right at your fingertips.

FAQs About Gx160 Workshop Manual Books

How do I know which eBook platform is the best for me? Finding the best eBook platform depends on your reading preferences and device compatibility. Research different platforms, read user reviews, and explore their features before making a choice. Are free eBooks of good quality? Yes, many reputable platforms offer high-quality free eBooks, including classics and public domain works. However, make sure to verify the source to ensure the eBook credibility. Can I read eBooks without an eReader? Absolutely! Most eBook platforms offer web-based readers or mobile apps that allow you to read eBooks on your computer, tablet, or smartphone. How do I avoid digital eye strain while reading eBooks? To prevent digital eye strain, take regular breaks, adjust the font size and background color, and ensure proper lighting while reading eBooks. What the advantage of interactive eBooks? Interactive eBooks incorporate multimedia elements, quizzes, and activities, enhancing the reader engagement and providing a more immersive learning experience. Gx160 Workshop Manual is one of the best book in our library for free trial. We provide copy of Gx160 Workshop Manual in digital format, so the resources that you find are reliable. There are also many Ebooks of related with Gx160 Workshop Manual. Where to download Gx160 Workshop Manual online for free? Are you looking for Gx160 Workshop Manual PDF? This is definitely going to save you time and cash in something you should think about.

Find Gx160 Workshop Manual :**kawasaki kvf750 brute force 2005 service repair manual**kawasaki ksf250 mojave atv service repair workshop manual**kawasaki ninja 650r ex650 digital workshop repair manual 2009 2011****kawasaki jet ski 250 x service manual**kawasaki ezgo engine manual~~kawasaki prairie 400 service manual~~**kawasaki prarie 360 kvf360 atv full service repair manual 2002 2005****kawasaki klx650r 1993 repair service manual***kawasaki 750 ss moto sky service manual**kawasaki atv prairie 650 service manual 2015*kawasaki kel26a handheld edger workshop service repair manual*kawasaki js 400 manual***kawasaki fr691v manual****kawasaki brute force 750 service manual repair 2008 2011 kvf 750**kawasaki fe400d service manual**Gx160 Workshop Manual :***el vuelo manual de formación para pilotos edición kindle - Jul 01 2022*

web el libro el vuelo manual de formación de pilotos ha sido registrado con el isbn 978 987 1759 06 4 en la agencia argentina de isbn cámara argentina del libro este libro ha

el vuelo manual de formación para pilotos hispaviación - Oct 04 2022

web feb 16 2011 un libro orientado a pilotos comerciales y estudiantes de las diferentes carreras de aeronavegación se puede adquirir en paraná 137 caba y en todos los

el vuelo manual de formación para pilotos youtube - Aug 02 2022

web el vuelo manual de formación para pilotos spanish edition ebook gómez roberto julio amazon in kindle store

el vuelo manual de formacion para pilotos spanish edition - Jun 12 2023

web el vuelo manual de formacion para pilotos spanish edition tapa blanda 19 febrero 2013 es el mejor libro para la formación de pilotos y todo el personal de tierra de los

[el vuelo manual de formacion para pilotos spanish edition](#) - Sep 03 2022

web el vuelo manual de formación para pilotos ebook gómez roberto julio amazon com mx tienda kindle

el vuelo manual de formacion para pilotos spanish edition - Nov 05 2022

web feb 19 2013 es el mejor libro para la formación de pilotos y todo el personal de tierra de los aeropuertos este libro es para estudiantes de vuelo y también para pilotos con

el vuelo manual de formación para pilotos spanish edition - Oct 24 2021

[el vuelo manual de formación para pilotos pdf](#) - Aug 14 2023

web dec 17 2022 el vuelo manual de formación para pilotos pdf by santiago meza diciembre 17 2022 conocimientos básicos de aviación pdf en el mundo real no todos los

el vuelo manual de formacion para pilotos spanish edition - Feb 08 2023

web es el mejor libro para la formación de pilotos y todo el personal de tierra de los aeropuertos este libro es para estudiantes de vuelo y también para pilotos con

el vuelo manual de formacion para pilotos book - Feb 25 2022

web 02 020 operaciones uas en el sts 02 que para la operación en escenarios estándar todos los pilotos a distancia deberán disponer de una acreditación de formación y

[el vuelo manual de formación de pilotos isbn 978 987 1759 06](#) - Apr 29 2022

web el vuelo manual de formacion para pilotos volar sin miedo 2a edicion jun 28 2021 si el miedo a volar le aterroriza no es el único varios estudios sugieren que

el vuelo manual de formación para pilotos spanish edition - May 31 2022

web sitios para bajar libros gratis el vuelo manual de formación para pilotos descarga gratis de ebooks el vuelo manual de formación para pil

el vuelo manual de formacion para pilotos spanish edition - Jul 13 2023

web feb 19 2013 es el mejor libro para la formación de pilotos y todo el personal de tierra de los aeropuertos este libro es para estudiantes de vuelo y también para pilotos con

[el vuelo manual de formacion para pilotos tapa](#) - Jan 07 2023

web sinopsis rare book reseña del editor es el mejor libro para la formación de pilotos y todo el personal de tierra de los aeropuertos este libro es para estudiantes de vuelo y

[el vuelo manual de formacion para pilotos pdf scribd](#) - Apr 10 2023

web el plan de vuelo contiene la identificación de la aeronave y de su equipo el punto y hora de salida la ruta y altitud el

punto y la hora prevista de llegada así como el aeródromo de

pdf el vuelo manual de formación para pilotos free - May 11 2023

web feb 24 2016 gomez roberto julio el vuelo manual de formación para pilotos 1a ed buenos aires tecnibook ediciones 2011 386 p 28x20 cm isbn 978 987 1759 07 1

el vuelo manual de formación para pilotos issuu - Dec 06 2022

web el libro se presenta formato de manual para favorecer la lectura y agrupado por temas de manera que el piloto tenga facilitada la tarea de aprendizaje habiendo incorporado las

el vuelo manual de formación para pilotos blogger - Mar 29 2022

web mar 27 2023 el proceso de presentación de declaraciones para impartir tal formación en cada uno de los casos para entidades reconocidas y para operadores de uas

manual de vuelo ppla escuela pilotos madrid - Nov 24 2021

material guía sobre acreditación de la formación - Dec 26 2021

web feb 3 2011 buy el vuelo manual de formación para pilotos spanish edition read kindle store reviews amazon com

aesa publica una nueva guía sobre requisitos para impartir - Jan 27 2022

web para poder explicar porque vuela un avión en este momento interesa entrarse en las c características básicas que definen su comportamiento como fluido presión

el vuelo manual de formación para pilotos versión kindle - Mar 09 2023

web el vuelo manual de formación para pilotos 387 páginas del mejor manual para pilotos

a panouie dans mon corps cahier de da c veloppeme pdf - Sep 22 2023

web 2 a panouie dans mon corps cahier de da c veloppeme 2022 01 28 la corbeille de fleurs john wiley sons this book presents the economic theories with regards to the entrepreneur of yesterday and those of more recent years on which issue research has been developing exponentially since the last

cv n 139 romps nous le pain de vie yapper fr - Mar 16 2023

web romps nous le pain de vie que ta bonté seigneur nous rassasie de vérité amour qui nous fait vivre révèle toi parle dans le saint livre À notre foi 2 Ô toi dont la clémence créa du pain pour une foule immense mourant de faim vois ton peuple se presse

15 daniel pennac et son espiegle journal d un corps - Jun 07 2022

web jun 30 2022 daniel pennac et son espiegle journal d un corps Étiquettes france humour roman contemporain 30 juin 2022 2 commentaires aujourd'hui je vous parle du distayant roman journal d un corps habile trompe l œil de daniel pennac

un de mes écrivains préférés

a panouie dans mon corps cahier de da c veloppeme copy - Nov 12 2022

web aug 25 2023 on line statement a panouie dans mon corps cahier de da c veloppeme as well as review them wherever you are now gazette des beaux arts courrier européen de l art et de la curiosité redacteur en chef c blanc alexandre auguste p charles blanc 1876 Épanouie dans mon corps cahier de développement personnel internotes 2019

a panouie dans mon corps cahier de da c veloppeme - Jul 20 2023

web 2 a panouie dans mon corps cahier de da c veloppeme 2023 10 16 chantant amus secret myst rieux panouie ces images portent sur le regard sur les corps mis en sc ne dans des situations extra ordinaires o l tre humain essaie en fait de retrouver un passage vers la sagesse ces corps peuvent tre une v ritable oeuvre d art

a panouie dans mon corps cahier de da c veloppeme louis - Aug 21 2023

web it is your very own times to statute reviewing habit in the midst of guides you could enjoy now is a panouie dans mon corps cahier de da c veloppeme below the colonial system unveiled baron de vastey 2016 01 25 long neglected in mainstream history books the haitian revolution 1791 1804 is now being claimed across a

a panouie dans mon corps cahier de da c veloppeme copy - Oct 23 2023

web a panouie dans mon corps cahier de da c veloppeme le jacquard jul 12 2020 cahier des charges générales applicables à tous les corps d état dec 05 2019 the history of the theory of structures jun 22 2021 ten years after the publication of the first english edition of the history of

a panouie dans mon corps cahier de da c veloppeme pdf - May 18 2023

web a panouie dans mon corps cahier de da c veloppeme pdf right here we have countless book a panouie dans mon corps cahier de da c veloppeme pdf and collections to check out we additionally provide variant types and with type of the books to browse the good enough book fiction

a panouie dans mon corps cahier de da c veloppeme - Dec 13 2022

web a panouie dans mon corps cahier de da c veloppeme véritable guide pratique de la santé à l usage des gens du monde ou histoire complète de l homme anatomique physiologique et malade avec préceptes de l art de se guérir soi même deuxième édition nouveau paris match le parnasse français confidences d une célibataire épanouie

a panouie dans mon corps cahier de da c veloppeme full - Mar 04 2022

web this online publication a panouie dans mon corps cahier de da c veloppeme can be one of the options to accompany you afterward having supplementary time it will not waste your time give a positive response me the e book will unquestionably publicize you new business to read just invest little times to way in this on line notice a panouie

a panouie dans mon corps cahier de da c veloppeme 2022 - Apr 05 2022

web a panouie dans mon corps cahier de da c veloppeme 3 3 compton sidney mémoires pour servir a l histoire d un genre de polypes d eau douce hugo new life avec humour tendresse et sans complexe france carp s empare d un sujet presque tabou la vie hormonale des femmes de la puberté aux prémices de la ménopause et à son

a panouie dans mon corps cahier de da c veloppeme copy - Aug 09 2022

web may 2 2023 a panouie dans mon corps cahier de da c veloppeme 1 12 downloaded from uniport edu ng on may 2 2023 by guest a panouie dans mon corps cahier de da c veloppeme when somebody should go to the book stores search creation by shop shelf by shelf it is in reality problematic this is why we allow the books compilations in this

daniel pennac des chrétiens et des maures passion de lire - Sep 10 2022

web jul 12 2012 we would like to show you a description here but the site won t allow us

a panouie dans mon corps cahier de da c veloppeme copy - Oct 11 2022

web 2 a panouie dans mon corps cahier de da c veloppeme 2019 11 24 n a pas toujours été ainsi quelques années plus tôt elle vivait à paris et pensait avoir trouvé le bonheur jusqu au jour où depuis atteinte de névrose post traumatique elle fuit toute relation sentimentale avec un homme issu de l aristocratie anglaise

bonsoir svp aider moi merci nosdevoirs fr - Jul 08 2022

web nosdevoirs fr est un service gratuit d aide aux devoirs du groupe brainly com c est un portail d entraide de coopération d échange d idées chienchien1 chienchien1 18 09 2016 français lycée résolu bonsoir svp aider moi merci voir la réponse c est pour demain et

a panouie dans mon corps cahier de da c veloppeme full pdf - Jun 19 2023

web a panouie dans mon corps cahier de da c veloppeme phytogénie ou théorie mécanique de la végétation oct 14 2020 dépassée à épanouie nov 14 2020 tout comme la nature la vie est composée de saisons laissant parfois des épreuves pénibles telles qu une dépression une séparation ou un deuil nous faire sombrer dans des

a panouie dans mon corps cahier de da c veloppeme - Jan 14 2023

web sep 1 2023 a panouie dans mon corps cahier de da c veloppeme 1 10 downloaded from uniport edu ng on september 1 2023 by guest a panouie dans mon corps cahier de da c veloppeme as recognized adventure as well as experience approximately lesson amusement as with ease as treaty can be gotten by just checking out a book a panouie

downloadable free pdfs a panouie dans mon corps cahier de da c veloppeme - Apr 17 2023

web a panouie dans mon corps cahier de da c veloppeme the collected mathematical papers of arthur cayley jan 20 2022 the quarterly journal of pure and applied mathematics jul 02 2020 debrett s illustrated peerage and baronetage of the united kingdom of great britain and ireland oct 05 2020 the legacy of leon van hove jun

loisirs lecture et mouvement autour de daniel pennac - May 06 2022

web dec 13 2021 lecture danse théâtralisée demain à 19 h 30 dans la salle des festins du palais jacques cœur entrée libre dans la limite des places disponibles ass sanitaire ou test négatif

a panouie dans mon corps cahier de da c veloppeme pdf andrea del - Feb 15 2023

web mar 10 2023 as this a panouie dans mon corps cahier de da c veloppeme pdf it ends taking place living thing one of the favored ebook a panouie dans mon corps cahier de da c veloppeme pdf collections that we have this is why you remain in the best website to look the amazing books to have freud s self analysis didier anzieu 1986

biennials triennials conversations on the geograp - Apr 12 2023

web biennials triennials conversations on the geograp proceedings of the xivth triennial congress of the international ergonomics association and the 44th annual meeting of the human factors and ergonomics society mar 12 2022 a memorial address delivered at the tabernacle church salem triennial convention of

with biennials and triennials paused it s the perfect time to - Jan 09 2023

web apr 30 2020 in her book biennials triennials conversations on the geography of itinerant display columbia books on architecture and the city 2019 léa catherine szacka positions ennials as agents for

biennials triennials conversations on the geograp dallas lin - Mar 31 2022

web 4 biennials triennials conversations on the geograp 2021 05 08 the 2022 whitney biennial is accompanied by this landmark volume each of the biennial s participants is represented by a selected exhibition history a bibliography and imagery complemente d by a personal statement or interview that foregrounds the artist s own voice essays by

biennials triennials conversations on the geography of - Dec 08 2022

web jun 20 2023 ustvarjalna izmenjava 2020 future architecture mao biennials triennials conversations on the geography of save the date for 2020 creative exchange future aa lectures online ippolito pestellini laparelli on instagram honored to be profile of bard college worldcat architects newspaper thinklab biennials triennials conversations on the

biennials triennials conversations on the geograp pdf - Oct 06 2022

web more importantly to a wide public initiated by the biennial foundation and hosted by the gwangju biennale foundation in south korea the inaugural world biennial forum investigated this multiplicity of new centers and gravities along with the heterogeneous practices in large scale art shows today

pdf biennials triennials conversations on the geography of - May 13 2023

web biennials triennials asks these questions and others of a range of curatorial agents including after belonging agency beatriz colomina and mark wigley sarah herda adrian lahoud ippolito pestellini and andre tavares and visits crucial sites of recent exhibitions that reveal what is at stake in the newfound ubiquity of the

biennials triennials conversations on the geograp pdf - Feb 27 2022

web nov 21 2022 biennials triennials conversations on the geograp 2 12 downloaded from kelliemay com on november 21 2022 by guest balanced presentation of writings from academics artists and curators presents writings from disciplines including histories of art and design world history anthropology archaeology and literary studies covers an

sinop biennial 7 here and where - Dec 28 2021

web the 7th sinop biennial will start on august 16 2019 at the former market place hal in sinop s city center and will continue at other places until december 2019 please contact press sinopbiennial org for more information team a core group and many volunteers support and help to realize the biennial open call aÇik Çaçri

biennials triennials conversations on the geograp - Jan 29 2022

web sep 9 2022 moment when biennials continue to proliferate worldwide the manifesta decade takes manifesta as a case study to look critically at the landscape from which new exhibition paradigms have emerged

biennials triennials conversations on the geography of itinerant - Feb 10 2023

web sep 17 2019 biennials triennials asks these questions and others of a range of curatorial agents including after belonging agency beatriz colomina and mark wigley sarah herda adrian lahoud ippolito pestellini and andre tavares and visits crucial sites of recent exhibitions that reveal what is at stake in the newfound ubiquity of the

biennials triennials conversations on the geography itinerant - Aug 16 2023

web abstract in the forty years since the first iteration of venice architecture biennale the field of architecture has seen a remarkable change in the role played by exhibition making while architecture and display have long been intertwined practices a rapid proliferation of large scale perennial exhibitions particularly in the twenty first

biennials triennials conversations on the geography of itinerant - Mar 11 2023

web biennials triennials asks these questions and others of a range of curatorial agents including after belonging agency beatriz colomina and mark wigley sarah herda adrian lahoud ippolito pestellini and andre tavares and visits crucial sites of recent exhibitions that reveal what is at stake in the newfound ubiquity of the architectural

biennials triennials conversations on the geography of - Jun 02 2022

web conversations on the geography biennials triennials conversations on the geography aa lectures online columbia books on architecture and the city columbia search future archives nichols exhibiting architecture curation

biennials triennials conversations on the geograp mary - Jul 03 2022

web as soon as this one merely said the biennials triennials conversations on the geograp is universally compatible in imitation of any devices to read trap door reina gossett 2017 12 15 essays conversations and archival investigations explore the paradoxes limitations and social ramifications of trans representation within

biennials triennials conversations on the geograp pdf - Sep 05 2022

web jun 18 2023 their favorite readings like this biennials triennials conversations on the geograp but end up in infectious downloads rather than reading a good book with a cup of tea in the afternoon instead they are facing with some malicious virus inside their desktop computer biennials triennials conversations on the geograp is available in our book

biennials triennials conversations on the geography of itinerant - Jun 14 2023

web biennials triennials asks these questions and others of a range of curatorial agents including after belonging agency beatriz colomina and mark wigley sarah herda adrian lahoud ippolito pestellini and andre tavares and visits crucial sites of recent exhibitions that reveal what is at stake in the newfound ubiquity of the

biennials triennials conversations on the geography of - May 01 2022

web may 21 2023 book biennials triennials conversations on the geography of itinerant display thomas geisler design curator and cultural producer curator of the twenty sixth biennial of design bio 26 mon knowledge ljubljana with biennials and triennials paused it s the perfect time to rethink their place architecture biennials triennials conversations on

biennials triennials conversations on the geograp 2022 - Nov 07 2022

web biennials triennials conversations on the geograp 1 biennials triennials conversations on the geograp works and life imag conversations ser 3 contin ser 4 letters of pericles and minor prose pieces 1876 comparison contemporary art biennials in europe machines conversations of literary men continued dialogues of

biennials triennials conversations on the geography of - Aug 04 2022

web jun 4 2023 and talks 2019 was another banner year for architectural biennials and triennials and biennials triennials conversations on the geograp discover book depository s huge selection of lea catherine szack biennials triennials conversations on the geography of itinerant display in architecture publication design missioned by

biennials triennials columbia university press - Jul 15 2023

web biennials triennials conversations on the geography of itinerant display léa catherine szacka columbia books on architecture and the city