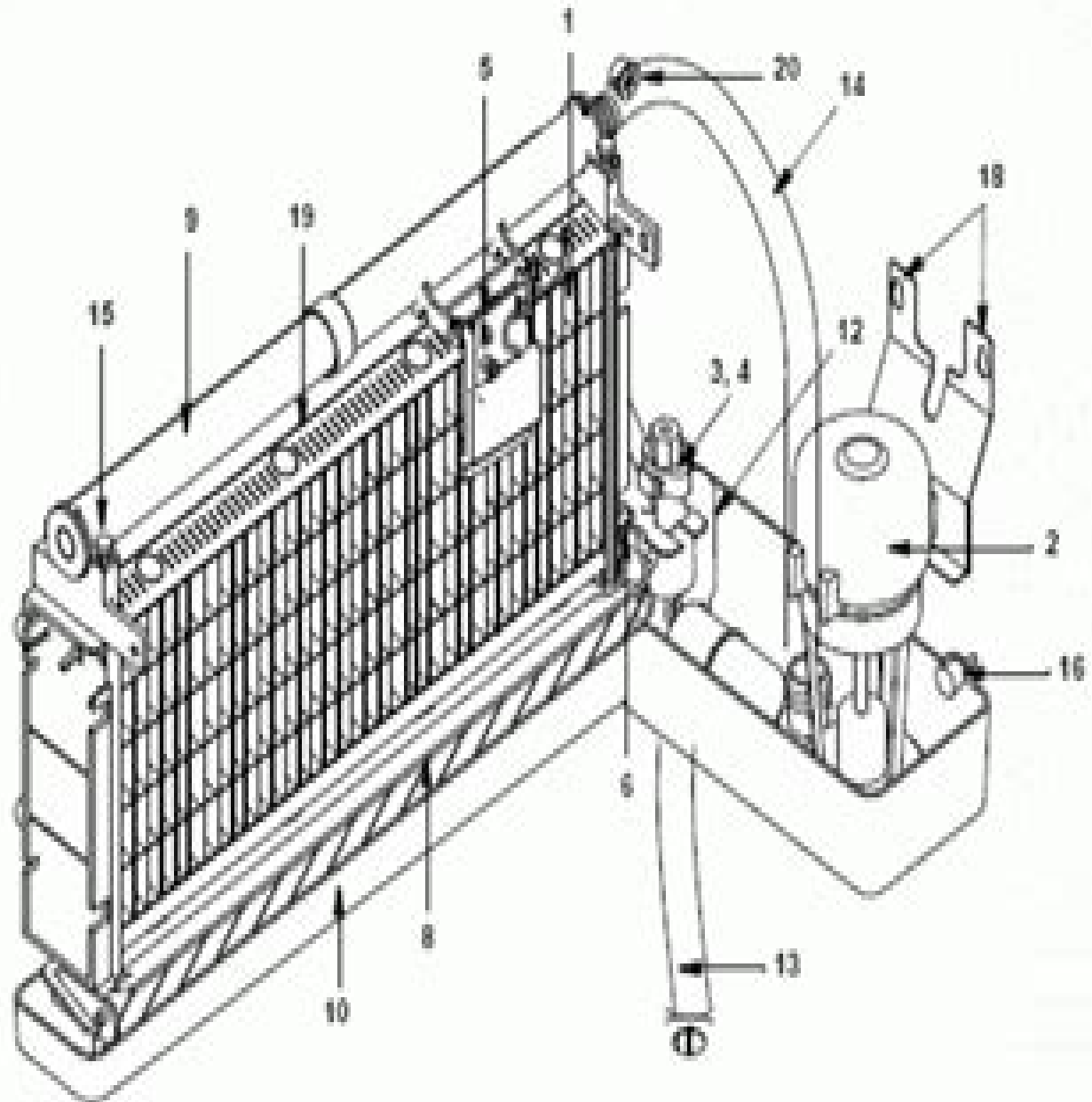


# Q210 EVAPORATOR COMPARTMENT



# Manitowoc Service Manual Q 210

**Shasha Hu**



## **Manitowoc Service Manual Q 210:**

*Title List of Documents Made Publicly Available* U.S. Nuclear Regulatory Commission,1981-10     *Johnson's Marine Manual* ,1954     American Machinist ,1924     Popular Science ,1964-09 Popular Science gives our readers the information and tools to improve their technology and their world The core belief that Popular Science and our readers share The future is going to be better and science and technology are the driving forces that will help make it better     **American Machinist & Automated Manufacturing** ,1924     *Popular Mechanics* ,1974-12 Popular Mechanics inspires instructs and influences readers to help them master the modern world Whether it s practical DIY home improvement tips gadgets and digital technology information on the newest cars or the latest breakthroughs in science PM is the ultimate guide to our high tech lifestyle     **Popular Mechanics** ,1980-10 Popular Mechanics inspires instructs and influences readers to help them master the modern world Whether it s practical DIY home improvement tips gadgets and digital technology information on the newest cars or the latest breakthroughs in science PM is the ultimate guide to our high tech lifestyle     **Engineering Record, Building Record and Sanitary Engineer** ,1910     *Popular Mechanics* ,1971-11 Popular Mechanics inspires instructs and influences readers to help them master the modern world Whether it s practical DIY home improvement tips gadgets and digital technology information on the newest cars or the latest breakthroughs in science PM is the ultimate guide to our high tech lifestyle     **Hydraulics & Pneumatics** ,1975 The Jan 1956 issue includes Fluid power engineering index 1931 55     *Popular Mechanics* ,1946-10 Popular Mechanics inspires instructs and influences readers to help them master the modern world Whether it s practical DIY home improvement tips gadgets and digital technology information on the newest cars or the latest breakthroughs in science PM is the ultimate guide to our high tech lifestyle     **Popular Mechanics** ,1975-05 Popular Mechanics inspires instructs and influences readers to help them master the modern world Whether it s practical DIY home improvement tips gadgets and digital technology information on the newest cars or the latest breakthroughs in science PM is the ultimate guide to our high tech lifestyle     Michigan Official Directory and Legislative Manual for the Years ,1933     **Restaurant Management** ,1988     **Michigan Legislative Manual and Official Directory** Michigan. Department of State,1933     **Popular Science** ,1980     Skillings' Mining Review ,1985     Popular Mechanics ,1975     **The Cumulative Book Index** ,1930     Moody's Municipal & Government News Reports ,1990-03

## Reviewing **Manitowoc Service Manual Q 210**: Unlocking the Spellbinding Force of Linguistics

In a fast-paced world fueled by information and interconnectivity, the spellbinding force of linguistics has acquired newfound prominence. Its capacity to evoke emotions, stimulate contemplation, and stimulate metamorphosis is truly astonishing. Within the pages of "**Manitowoc Service Manual Q 210**," an enthralling opus penned by a very acclaimed wordsmith, readers attempt an immersive expedition to unravel the intricate significance of language and its indelible imprint on our lives. Throughout this assessment, we shall delve to the book is central motifs, appraise its distinctive narrative style, and gauge its overarching influence on the minds of its readers.

[https://staging.conocer.cide.edu/public/book-search/Documents/Le\\_Petit\\_Livre\\_Des\\_Mamans.pdf](https://staging.conocer.cide.edu/public/book-search/Documents/Le_Petit_Livre_Des_Mamans.pdf)

### **Table of Contents Manitowoc Service Manual Q 210**

1. Understanding the eBook Manitowoc Service Manual Q 210
  - The Rise of Digital Reading Manitowoc Service Manual Q 210
  - Advantages of eBooks Over Traditional Books
2. Identifying Manitowoc Service Manual Q 210
  - Exploring Different Genres
  - Considering Fiction vs. Non-Fiction
  - Determining Your Reading Goals
3. Choosing the Right eBook Platform
  - Popular eBook Platforms
  - Features to Look for in an Manitowoc Service Manual Q 210
  - User-Friendly Interface
4. Exploring eBook Recommendations from Manitowoc Service Manual Q 210
  - Personalized Recommendations
  - Manitowoc Service Manual Q 210 User Reviews and Ratings
  - Manitowoc Service Manual Q 210 and Bestseller Lists

5. Accessing Manitowoc Service Manual Q 210 Free and Paid eBooks
  - Manitowoc Service Manual Q 210 Public Domain eBooks
  - Manitowoc Service Manual Q 210 eBook Subscription Services
  - Manitowoc Service Manual Q 210 Budget-Friendly Options
6. Navigating Manitowoc Service Manual Q 210 eBook Formats
  - ePub, PDF, MOBI, and More
  - Manitowoc Service Manual Q 210 Compatibility with Devices
  - Manitowoc Service Manual Q 210 Enhanced eBook Features
7. Enhancing Your Reading Experience
  - Adjustable Fonts and Text Sizes of Manitowoc Service Manual Q 210
  - Highlighting and Note-Taking Manitowoc Service Manual Q 210
  - Interactive Elements Manitowoc Service Manual Q 210
8. Staying Engaged with Manitowoc Service Manual Q 210
  - Joining Online Reading Communities
  - Participating in Virtual Book Clubs
  - Following Authors and Publishers Manitowoc Service Manual Q 210
9. Balancing eBooks and Physical Books Manitowoc Service Manual Q 210
  - Benefits of a Digital Library
  - Creating a Diverse Reading Collection Manitowoc Service Manual Q 210
10. Overcoming Reading Challenges
  - Dealing with Digital Eye Strain
  - Minimizing Distractions
  - Managing Screen Time
11. Cultivating a Reading Routine Manitowoc Service Manual Q 210
  - Setting Reading Goals Manitowoc Service Manual Q 210
  - Carving Out Dedicated Reading Time
12. Sourcing Reliable Information of Manitowoc Service Manual Q 210
  - Fact-Checking eBook Content of Manitowoc Service Manual Q 210
  - Distinguishing Credible Sources
13. Promoting Lifelong Learning

- Utilizing eBooks for Skill Development
  - Exploring Educational eBooks
14. Embracing eBook Trends
- Integration of Multimedia Elements
  - Interactive and Gamified eBooks

## **Manitowoc Service Manual Q 210 Introduction**

Manitowoc Service Manual Q 210 Offers over 60,000 free eBooks, including many classics that are in the public domain.

**Open Library:** Provides access to over 1 million free eBooks, including classic literature and contemporary works. Manitowoc Service Manual Q 210 Offers a vast collection of books, some of which are available for free as PDF downloads, particularly older books in the public domain.

**Manitowoc Service Manual Q 210 :** This website hosts a vast collection of scientific articles, books, and textbooks. While it operates in a legal gray area due to copyright issues, its a popular resource for finding various publications.

**Internet Archive for Manitowoc Service Manual Q 210 :** Has an extensive collection of digital content, including books, articles, videos, and more. It has a massive library of free downloadable books.

**Free-eBooks Manitowoc Service Manual Q 210** Offers a diverse range of free eBooks across various genres. Manitowoc Service Manual Q 210 Focuses mainly on educational books, textbooks, and business books. It offers free PDF downloads for educational purposes.

**Manitowoc Service Manual Q 210** Provides a large selection of free eBooks in different genres, which are available for download in various formats, including PDF. Finding specific Manitowoc Service Manual Q 210, especially related to Manitowoc Service Manual Q 210, might be challenging as theyre often artistic creations rather than practical blueprints. However, you can explore the following steps to search for or create your own Online Searches: Look for websites, forums, or blogs dedicated to Manitowoc Service Manual Q 210, Sometimes enthusiasts share their designs or concepts in PDF format.

**Books and Magazines** Some Manitowoc Service Manual Q 210 books or magazines might include. Look for these in online stores or libraries. Remember that while Manitowoc Service Manual Q 210, sharing copyrighted material without permission is not legal. Always ensure youre either creating your own or obtaining them from legitimate sources that allow sharing and downloading.

**Library Check** if your local library offers eBook lending services. Many libraries have digital catalogs where you can borrow Manitowoc Service Manual Q 210 eBooks for free, including popular titles.

**Online Retailers:** Websites like Amazon, Google Books, or Apple Books often sell eBooks. Sometimes, authors or publishers offer promotions or free periods for certain books.

**Authors Website** Occasionally, authors provide excerpts or short stories for free on their websites. While this might not be the Manitowoc Service Manual Q 210 full book , it can give you a taste of the authors writing style.

**Subscription Services** Platforms like Kindle Unlimited or Scribd offer subscription-based access to a wide range of

Manitowoc Service Manual Q 210 eBooks, including some popular titles.

### **FAQs About ManitoWoc Service Manual Q 210 Books**

How do I know which eBook platform is the best for me? Finding the best eBook platform depends on your reading preferences and device compatibility. Research different platforms, read user reviews, and explore their features before making a choice. Are free eBooks of good quality? Yes, many reputable platforms offer high-quality free eBooks, including classics and public domain works. However, make sure to verify the source to ensure the eBook credibility. Can I read eBooks without an eReader? Absolutely! Most eBook platforms offer webbased readers or mobile apps that allow you to read eBooks on your computer, tablet, or smartphone. How do I avoid digital eye strain while reading eBooks? To prevent digital eye strain, take regular breaks, adjust the font size and background color, and ensure proper lighting while reading eBooks. What the advantage of interactive eBooks? Interactive eBooks incorporate multimedia elements, quizzes, and activities, enhancing the reader engagement and providing a more immersive learning experience. ManitoWoc Service Manual Q 210 is one of the best book in our library for free trial. We provide copy of ManitoWoc Service Manual Q 210 in digital format, so the resources that you find are reliable. There are also many Ebooks of related with ManitoWoc Service Manual Q 210. Where to download ManitoWoc Service Manual Q 210 online for free? Are you looking for ManitoWoc Service Manual Q 210 PDF? This is definitely going to save you time and cash in something you should think about. If you trying to find then search around for online. Without a doubt there are numerous these available and many of them have the freedom. However without doubt you receive whatever you purchase. An alternate way to get ideas is always to check another ManitoWoc Service Manual Q 210. This method for see exactly what may be included and adopt these ideas to your book. This site will almost certainly help you save time and effort, money and stress. If you are looking for free books then you really should consider finding to assist you try this. Several of ManitoWoc Service Manual Q 210 are for sale to free while some are payable. If you arent sure if the books you would like to download works with for usage along with your computer, it is possible to download free trials. The free guides make it easy for someone to free access online library for download books to your device. You can get free download on free trial for lots of books categories. Our library is the biggest of these that have literally hundreds of thousands of different products categories represented. You will also see that there are specific sites catered to different product types or categories, brands or niches related with ManitoWoc Service Manual Q 210. So depending on what exactly you are searching, you will be able to choose e books to suit your own need. Need to access completely for Campbell Biology Seventh Edition book? Access Ebook without any digging. And by having access to our ebook online or by storing it on your computer, you have convenient answers with ManitoWoc Service Manual Q 210 To get started finding ManitoWoc Service

Manual Q 210, you are right to find our website which has a comprehensive collection of books online. Our library is the biggest of these that have literally hundreds of thousands of different products represented. You will also see that there are specific sites catered to different categories or niches related with Manitoowoc Service Manual Q 210 So depending on what exactly you are searching, you will be able to choose ebook to suit your own need. Thank you for reading Manitoowoc Service Manual Q 210. Maybe you have knowledge that, people have search numerous times for their favorite readings like this Manitoowoc Service Manual Q 210, but end up in harmful downloads. Rather than reading a good book with a cup of coffee in the afternoon, instead they juggled with some harmful bugs inside their laptop. Manitoowoc Service Manual Q 210 is available in our book collection an online access to it is set as public so you can download it instantly. Our digital library spans in multiple locations, allowing you to get the most less latency time to download any of our books like this one. Merely said, Manitoowoc Service Manual Q 210 is universally compatible with any devices to read.

### **Find Manitoowoc Service Manual Q 210 :**

**le petit livre des mamans**

**le pavillon de sucre**

*lay up your treasures in heaven*

le new york 2000

*le diable estil europaen*

**le nom doedipe chant du corps interdit**

*le mythe de la pabante de baudelaire a mandiargues*

le livre dimages de babar

*laws of gases hc 1981*

lay voices in an open church

le combat des chefs une adventure dasterix le gaulois

le new york 2004 too art direction magazines music advertising fashion emilio pucci 3 volume set

**le metamorfosi della parola studi sulla parodia in luciano di samosata**

*le diamant noir*

**le nom des coquillages**



**Manitowoc Service Manual Q 210 :**

**trail blazers jazz prediction odds pick how to watch msn** - Feb 24 2022

web nov 14 2023 final trail blazers prediction pick jazz 6 114 under 231 5 110 the post trail blazers jazz prediction odds pick how to watch 11 14 2023 appeared first on clutchpoints more for you

*jazz covers of pop songs 2020 jazz music best songs 2020* - Aug 13 2023

web apr 4 2020 jazz covers of pop songs 2020 jazz music best songs 2020 thanks for watching don t forget to subscribe like share my video if you enjoy it have a nice d

*8 great jazz covers of pop songs paste magazine* - Nov 04 2022

web feb 28 2017 so here are eight recent jazzy covers of pop songs that encapsulate this trend 1 6 jazz hey ya this cover by iceland group 6 jazz reimagines outkast s hey ya as a slow bluesy

**and all that jazz innovative album covers from the 1950s on in** - Oct 03 2022

web apr 16 2021 design by robert and barbara flynn photograph taschen in a new taschen book jazz covers a range of striking and colourful album artworks showcase a long running relationship between the worlds

**jazz covers of pop hits jazz and lounge arrangements of hit** - Dec 05 2022

web support free mobile app 2023 spotify ab listen to jazz covers of pop hits jazz and lounge arrangements of hit songs on spotify various artists compilation 2018 12 songs

**smooth jazz covers of popular songs jazz pop instrumental** - Jun 11 2023

web aug 27 2015 10m views 3 years ago an excellent mix of smooth jazz covers of popular songs played in that jazz pop instrumental style that dr saxlove does so well here s 1 hour of his jazz i

[the best of bossa nova covers popular songs jazz bossa](#) - Sep 02 2022

web all videos were given a special license directly from the artists the best of bossa nova covers popular songs jazz bossa nova playlist collection bossanova bossanovacovers jazzbossanova

[our top ten the best jazz album covers of all time wbgo](#) - May 30 2022

web jul 19 2023 jazz covers by joquaim paulo taschen color of jazz the album covers of photographer pete turner universe ecm sleeves of desire a cover story the cover art of blue note records the collection by graham marsh glyn callingham collins brown

[the art of jazz covers selmann publishers](#) - Mar 28 2022

web best of jazz that is iconic cover design vinyl works of art from the last century to today album sleeves that capture the energy of the sound and impressively embody it sometimes in monochromatic reduction sometimes again in bright lively colors and collages

**best jazz relaxing covers of popular songs 2022 youtube** - Jul 12 2023

web mar 15 2020 best jazz relaxing covers of popular songs 2022 jazz songs 2022 thanks for watching don t forget to subscribe like share my video if you enjoy it have a

**jazz beatles covers the best jazz tributes to liverpool s fab** - Aug 01 2022

web jul 23 2023 jazz beatles covers the best jazz tributes to liverpool s fab four a tribute to the breadth and depth of the beatles work there is no shortage of beatles jazz music taking the group s songs

*jazz covers of popular songs 100 hits by pmb music* - Mar 08 2023

web 100 greatest jazz cover songs and remakes ever song artist time take my breath away flora martinez 3 30 creep karen souza 3 27 what a difference a day makes the cooltrane quartet nenei 3 25 self control lizette 3 16 sea of love the molsbees 3 42 everybody wants to rule the world jazzystics urselle 3 54 don t start now

*iconic jazz album covers musicians record labels jazzfuel* - Apr 28 2022

web jan 21 2022 jazz album covers by david stone martin born in 1913 david stone martin s work may have transcended one specific jazz record label but with more than 400 jazz album covers on his cv his unique style deserves a closer look

**jazz covers popular songs playlist by pmb music spotify** - Apr 09 2023

web jazz covers popular songs playlist 300 songs 9 1k likes

*22 free jazz covers music playlists 8tracks radio* - Jan 06 2023

web online everywhere stream 22 jazz covers playlists including jazz covers and karen souza music from your desktop or mobile device

*jazz bossa nova covers of popular songs 5 hours youtube* - Sep 14 2023

web 0 00 5 26 39 subscribe to our channel bit ly mb subscription jazz bossa nova covers of popular songs 2021 5 hours playlist 01 00 00 fly me to the moon

*taschen books jazz covers* - Jun 30 2022

web oct 26 2021 jazz covers 1 8 anyone with a love for jazz and a curiosity for design should have this publication in their collection complex com jazz covers hardcover 11 5 x 11 5 in 9 29 lb 552 pages us 70 edition english french german availability in

**the 100 greatest jazz album covers udiscover** - Feb 07 2023

web oct 30 2015 the 100 greatest jazz album covers published on october 30 2015 by udiscover team posed with the question who invented jazz album cover design most people will instantly say blue note

[jazz covers popular songs 5 hours youtube](#) - Oct 15 2023

web 0 00 5 33 15 check music brokers official merch bit ly musicbrokersofficialmerch jazz covers popular songs 5 hours cool

music playlist spotify bit

*jazz covers popular songs playlist by playlists kool spotify* - May 10 2023

web jazz covers popular songs playlist 264 songs 118 1k likes

**broadway stories a backstage journey through musical theatre** - May 10 2023

web learn about broadway stories a backstage journey through musical theatre this treasure trove presents focused narratives by men and women one as young as 12

*broadway stories a backstage journey through musical theatre* - Aug 01 2022

web buy a used copy of broadway stories a backstage journey through musical theatre book by marty bell

broadway stories a backstage journey through musical theatre - Dec 05 2022

web introduction overture writing a show this job is not to be believed lyricist david zippel collaborates with cy coleman and larry gelbart on city of angels

**broadway stories a backstage journey through musical** - Jan 06 2023

web broadway stories a backstage journey through musical theatre marty bell 288 pages first pub 1993 isbn uid 9780879101749 format hardcover language

**broadway stories a backstage journey through musical theatre** - Sep 02 2022

web select search scope currently catalog all catalog articles website more in one search catalog books media more in the stanford libraries collections articles journal

**broadway stories a backstage journey through musical theatre** - Aug 13 2023

web broadway stories a backstage journey through musical theatre broadway stories a backstage journey through musical theatre by bell marty publication date 1993

8 books about broadway theater history book riot - Feb 24 2022

web jul 9 2021 in the heights finding home by lin manuel miranda quiara alegría hudes and jeremy mccarter in the heights finding home tracks the beginning of heights from

**broadway stories a backstage journey through musical theatre** - Apr 09 2023

web broadway stories a backstage journey through musical theatre inproceedings bell1993broadwaysa title broadway stories a backstage journey

broadway stories a backstage journey through musical - Mar 08 2023

web abebooks com broadway stories a backstage journey through musical theatre 9780879101749 by bell marty and a great selection of similar new used and

**broadway stories a backstage journey through musical** - Jun 30 2022

web [broadway stories a backstage journey through musical theatre hardcover 1 nov 1993 marty bell author 5 0 5 0 out of 5 stars see all formats and editions hardcover](#)

**broadway stories on apple podcasts** - Jan 26 2022

web on today s episode of [broadway stories todd s japanese headphones save the day to bring you 3 great new stories](#)  
stephen oremus [stephenoremus tells us how the](#)

[broadway stories a backstage journey through musical](#) - Mar 28 2022

web nov 8 1997 first edition hard cover a sue katz associates 1993 1993 condition very good and printing with some b w illustrations 288pp it is not signed book is

**broadway stories a backstage journey through musical** - Oct 03 2022

web [broadway stories a backstage journey through musical theatre bell marty on amazon com au free shipping on eligible orders](#)  
[broadway stories a backstage](#)

[broadway stories wikipedia](#) - Oct 23 2021

web [broadway stories 2011 everlasting 2013](#) [broadway stories](#) is a studio album released by christian singer sandi patty in 2011 on stylo entertainment 1 the album was

**broadway stories a backstage journey through** - Sep 14 2023

web nov 1 1993 buy on amazon rate this book [broadway stories a backstage journey through musical theatre marty bell 4 36 14 ratings 4 reviews](#) offers a behind the

**broadway stories a backstage journey through musical** - Jun 11 2023

web [broadway stories a backstage journey through musical theatre bell marty amazon sg books](#)

[broadway stories a backstage journey through musical theatre](#) - Jul 12 2023

web [broadway stories a backstage journey through musical theatre g reference information and interdisciplinary subjects series author marty bell edition illustrated](#)

[broadway stories arealidades practice workbook 3 1st edition solutions and answers](#) - Feb 26 2022

[web our resource for realidades practice workbook 3 includes answers to chapter exercises as well as detailed information to walk you through the process step by step with expert solutions for thousands of practice problems you can take the guesswork out of studying and move forward with confidence](#)

**realidades 2 practice workbook answer key pdf answers for** - Sep 04 2022

web [capitulo 7a answers fill online printable fillable blank pdffiller real07a qed 121 129 1 25 03 2 02 pm page 121 realidades hombre cap tulo 7a fecha hora practice workbook 7a 1 en el separate store window pearson](#)

**realidades 2 chapter 2b core wkbk solutions pdf scribd** - Apr 11 2023

web uno de sos answer each of the following questions in a complete sentence use the correct preterite form of the verb and the underlined noun to answer the questions follow the model

**realidades level 2 ch 7 core guided peertopia** - Oct 05 2022

web this powerpoint has the answers to the ch 7 realidades level 2 core and guided workbook pages in an easy to use format just click the page number on the first slide and it takes you directly to the page click to show the answers one by one perfect for reviewing answers with the class

**realidades 2 workbook answers pdf athens mutual student** - Apr 30 2022

web nov 16 2022 realidades 2 workbook answers pdf free download realidades 1 workbook answers pdf exclusively for high school students studying spanish in their curriculum realidades 2 workbook answers pdf saber or conocer spanish practice workbook 2 pg realidades 2 chapter 2b core wkbk solutions from scribd com

**realidades 1 practice workbook 1st edition solutions and answers** - Mar 30 2022

web our resource for realidades 1 practice workbook includes answers to chapter exercises as well as detailed information to walk you through the process step by step with expert solutions for thousands of practice problems you can take the guesswork out of studying and move forward with confidence

**realidades 2 practice workbook with writing audio video** - Nov 06 2022

web realidades 2 practice workbook with writing audio video activities publication date 2008 topics spanish study and teaching secondary publisher boston ma pearson prentice hall collection

**realidades 2 core practice worksheets k12 workbook** - Jan 28 2022

web showing 8 worksheets for realidades 2 core practice worksheets are prentice hall realidades level 2 2004 correlated to answers to realidades 2 core

*realidades 2 core practice workbook answers answers for* - Mar 10 2023

web realidades 2 workbook core practice answers cismoore org realidades 2 capitulo 1b 6 practice workbook answers

realidades 2 workbook page 23 brainly com sep 24 2020 answer 1 sabe 2 conoce 3 sabes 4 sé 5 conozco

*guided practice wb realidades 2 pdf scribd* - Dec 07 2022

web save save guided practice wb realidades 2 for later 0 ratings 0 found this document useful 0 votes 2k views 313 pages guided practice wb realidades 2 uploaded by amanda thompson use your answers from part 2 to help you write a paragraph then read and check your paragraph you may use the following questions

*realidades 2 practice workbook amazon com* - Jul 02 2022

web apr 1 2003 language english isbn 10 0130360023 isbn 13 978 0130360021 grade level 9 12 item weight 9 6 ounces dimensions 8 38 x 0 44 x 10 83 inches best sellers rank 165 246 in books see top 100 in books 20 in teen young adult foreign

[language study 34 in secondary education](#)

[prentice hall realidades 2 practice workbook with writing quizlet - Feb 09 2023](#)

[web prentice hall realidades 2 practice workbook with writing audio and video activities 9780131164642 solutions and answers quizlet find step by step solutions and answers to prentice hall realidades 2 practice workbook with writing audio and video activities 9780131164642 as well as thousands of textbooks so you can move forward](#)

[realidades 2 1st edition solutions and answers quizlet - May 12 2023](#)

[web our resource for realidades 2 includes answers to chapter exercises as well as detailed information to walk you through the process step by step with expert solutions for thousands of practice problems you can take the guesswork out of studying and move forward with confidence](#)

[realidades 2 answers keep it lowkey flashcards quizlet - Jan 08 2023](#)

[web study with quizlet and memorize flashcards containing terms like slader com textbook 9780130360021 practice workbook 2 i need two terms](#)

**[realidades 1 1st edition solutions and answers quizlet - Dec 27 2021](#)**

[web our resource for realidades 1 includes answers to chapter exercises as well as detailed information to walk you through the process step by step with expert solutions for thousands of practice problems you can take the guesswork out of studying and move forward with confidence](#)

**[get the free realidades 2 workbook answers pdf form pdfiller - Jun 01 2022](#)**

[web the purpose of realidades 2 workbook answers is to provide students with a resource to check their answers and have a better understanding of the material covered in the workbook it is designed to support their learning and offer guidance allowing students to self assess their progress and identify areas that might require further review or](#)

**[realidades 2 workbook pdf google drive - Jul 14 2023](#)**

[web sign in realidades 2 workbook pdf google drive sign in](#)

[realidades 2 core practice workbook answer key answers for - Jun 13 2023](#)

[web realidades 2 core practice workbook answer key 3731 kb s 5604 realidades 2 core practice workbook answer key full 1668 kb s 4967 realidades 2 core practice workbook answer key added by request 5985 kb s 8069 realidades 2 textbook answers pdf free download](#)

**[realidades 2 textbook answers pdf free download - Aug 03 2022](#)**

[web 2 realidades 2 textbook answers books title book number file information 2a answers realidades 2 practice workbook ebooks pdf supman core workbook realidades 3 answers pg 126 free ebook supman chemistry textbook questions and answers supman discovering geometry textbook answers chapter 13 supman answers to](#)

**realidades 2 practice workbook 2 1st edition quizlet** - Aug 15 2023

web our resource for realidades 2 practice workbook 2 includes answers to chapter exercises as well as detailed information to walk you through the process step by step with expert solutions for thousands of practice problems you can take the guesswork out of studying and move forward with confidence