

UNPACKING AND REMOVING SHIPPING BOLTS

When removing the washer from the carton base, be sure to remove the foam drum support in the middle of the carton base. See drawing below.

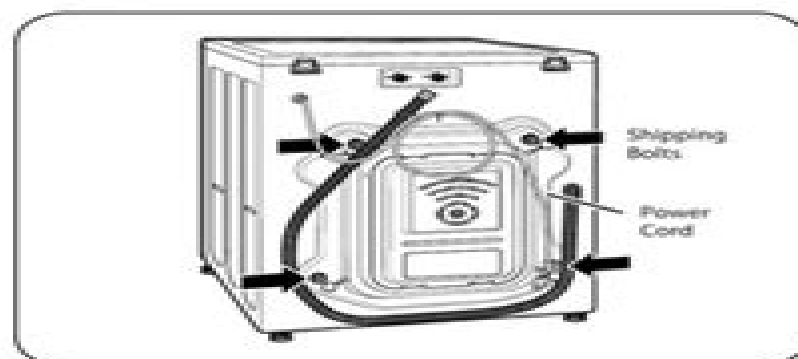
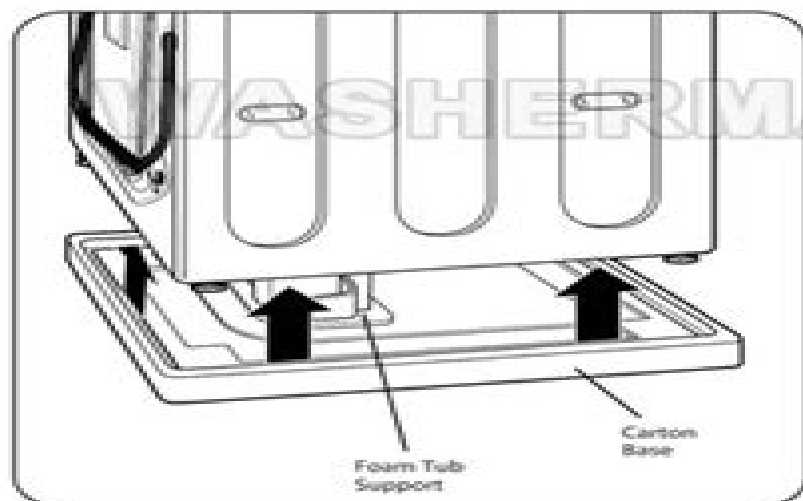
If you must lay the washer down to remove the base packaging materials, always protect the side of the washer and lay it carefully on its side. **DO NOT** lay the washer on its front or back.

To prevent internal damage during transport, the washer is equipped with four shipping bolts and plastic retainers.

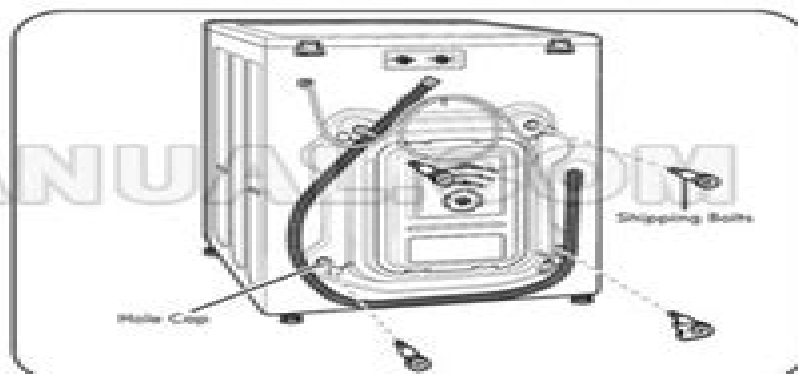
IMPORTANT:

- These shipping bolts and retainers **MUST NOT** be removed until just before moving the washer into its final position.
- These bolts and retainers **MUST** be removed before operating the washer.
- Failure to remove shipping bolts and retainers may cause severe vibration and noise, which can lead to permanent damage to the washer.

NOTE: The power cord is secured to the back of the washer with a shipping bolt to help prevent operation with shipping bolts in place.



1. Starting with the bottom two shipping bolts, use the wrench (included) to fully loosen all four shipping bolts by turning them counterclockwise.



2. Remove the bolt assemblies by wiggling them slightly while pulling.
3. Locate the four hole caps included in the accessory pack and install them in the shipping bolt holes.

NOTE: Save the bolt assemblies for future use. To prevent damage to internal components, **DO NOT** transport the washer without reinstalling the shipping bolts.

Kenmore Washer Use Care Guide

Katharine Paddock Hess



Kenmore Washer Use Care Guide:

America Buys ,1981 *Textile Fibers and Their Use* Katharine Paddock Hess,1941 Textile construction finish and designe The textile fibres **Catalog of Sears, Roebuck and Company** Sears, Roebuck and Company,1983 **AATCC Technical Manual** American Association of Textile Chemists and Colorists,1985 **Consumer Reports Buying Guide 2005** Consumer Reports,2004-10-26 *BUYING GUIDE ALL NEW FOR 2005* ,2004 *Sears* Sears, Roebuck and Company,1983 **Moody's International Manual** ,1994 **The Effects of a Short Consumer Course in Clothing and Textiles on the Understanding of Textile Terms and Care Labels** Paulette Mullis,1972 **Popular Mechanics** ,1948-01 Popular Mechanics inspires instructs and influences readers to help them master the modern world Whether it s practical DIY home improvement tips gadgets and digital technology information on the newest cars or the latest breakthroughs in science PM is the ultimate guide to our high tech lifestyle **Innovation in Telemarketing Frauds and Scams** United States. Congress. House. Committee on Small Business. Subcommittee on Regulation, Business Opportunities, and Energy,1991 **Electrical World** ,1917 **Cleanliness and the Health Revolution** Velvl William Greene,1984
India Rubber World and Electrical Trades Review ,1946 *Solidarity* ,1995 *Home* ,2001 *The Signalman's Journal* ,1952 **Good Housekeeping** ,2005 *Respiratory Care* ,1985 **Motor Age** ,1912

This is likewise one of the factors by obtaining the soft documents of this **Kenmore Washer Use Care Guide** by online. You might not require more mature to spend to go to the books initiation as without difficulty as search for them. In some cases, you likewise reach not discover the pronouncement Kenmore Washer Use Care Guide that you are looking for. It will totally squander the time.

However below, in the same way as you visit this web page, it will be as a result extremely easy to get as well as download guide Kenmore Washer Use Care Guide

It will not undertake many epoch as we accustom before. You can accomplish it while ham it up something else at house and even in your workplace. fittingly easy! So, are you question? Just exercise just what we present below as capably as review **Kenmore Washer Use Care Guide** what you taking into account to read!

https://staging.conocer.cide.edu/public/virtual-library/HomePages/humanism_in_the_english_novel.pdf

Table of Contents Kenmore Washer Use Care Guide

1. Understanding the eBook Kenmore Washer Use Care Guide
 - The Rise of Digital Reading Kenmore Washer Use Care Guide
 - Advantages of eBooks Over Traditional Books
2. Identifying Kenmore Washer Use Care Guide
 - Exploring Different Genres
 - Considering Fiction vs. Non-Fiction
 - Determining Your Reading Goals
3. Choosing the Right eBook Platform
 - Popular eBook Platforms
 - Features to Look for in an Kenmore Washer Use Care Guide
 - User-Friendly Interface
4. Exploring eBook Recommendations from Kenmore Washer Use Care Guide

- Personalized Recommendations
 - Kenmore Washer Use Care Guide User Reviews and Ratings
 - Kenmore Washer Use Care Guide and Bestseller Lists
5. Accessing Kenmore Washer Use Care Guide Free and Paid eBooks
 - Kenmore Washer Use Care Guide Public Domain eBooks
 - Kenmore Washer Use Care Guide eBook Subscription Services
 - Kenmore Washer Use Care Guide Budget-Friendly Options
 6. Navigating Kenmore Washer Use Care Guide eBook Formats
 - ePub, PDF, MOBI, and More
 - Kenmore Washer Use Care Guide Compatibility with Devices
 - Kenmore Washer Use Care Guide Enhanced eBook Features
 7. Enhancing Your Reading Experience
 - Adjustable Fonts and Text Sizes of Kenmore Washer Use Care Guide
 - Highlighting and Note-Taking Kenmore Washer Use Care Guide
 - Interactive Elements Kenmore Washer Use Care Guide
 8. Staying Engaged with Kenmore Washer Use Care Guide
 - Joining Online Reading Communities
 - Participating in Virtual Book Clubs
 - Following Authors and Publishers Kenmore Washer Use Care Guide
 9. Balancing eBooks and Physical Books Kenmore Washer Use Care Guide
 - Benefits of a Digital Library
 - Creating a Diverse Reading Collection Kenmore Washer Use Care Guide
 10. Overcoming Reading Challenges
 - Dealing with Digital Eye Strain
 - Minimizing Distractions
 - Managing Screen Time
 11. Cultivating a Reading Routine Kenmore Washer Use Care Guide
 - Setting Reading Goals Kenmore Washer Use Care Guide
 - Carving Out Dedicated Reading Time
 12. Sourcing Reliable Information of Kenmore Washer Use Care Guide

- Fact-Checking eBook Content of Kenmore Washer Use Care Guide
 - Distinguishing Credible Sources
13. Promoting Lifelong Learning
- Utilizing eBooks for Skill Development
 - Exploring Educational eBooks
14. Embracing eBook Trends
- Integration of Multimedia Elements
 - Interactive and Gamified eBooks

Kenmore Washer Use Care Guide Introduction

Kenmore Washer Use Care Guide Offers over 60,000 free eBooks, including many classics that are in the public domain.

Open Library: Provides access to over 1 million free eBooks, including classic literature and contemporary works. Kenmore Washer Use Care Guide Offers a vast collection of books, some of which are available for free as PDF downloads, particularly older books in the public domain.

Kenmore Washer Use Care Guide : This website hosts a vast collection of scientific articles, books, and textbooks. While it operates in a legal gray area due to copyright issues, its a popular resource for finding various publications.

Internet Archive for Kenmore Washer Use Care Guide : Has an extensive collection of digital content, including books, articles, videos, and more. It has a massive library of free downloadable books.

Free-eBooks Kenmore Washer Use Care Guide Offers a diverse range of free eBooks across various genres. Kenmore Washer Use Care Guide Focuses mainly on educational books, textbooks, and business books. It offers free PDF downloads for educational purposes.

Kenmore Washer Use Care Guide Provides a large selection of free eBooks in different genres, which are available for download in various formats, including PDF.

Finding specific Kenmore Washer Use Care Guide, especially related to Kenmore Washer Use Care Guide, might be challenging as theyre often artistic creations rather than practical blueprints. However, you can explore the following steps to search for or create your own

Online Searches: Look for websites, forums, or blogs dedicated to Kenmore Washer Use Care Guide, Sometimes enthusiasts share their designs or concepts in PDF format.

Books and Magazines Some Kenmore Washer Use Care Guide books or magazines might include. Look for these in online stores or libraries. Remember that while Kenmore Washer Use Care Guide, sharing copyrighted material without permission is not legal. Always ensure youre either creating your own or obtaining them from legitimate sources that allow sharing and downloading.

Library Check if your local library offers eBook lending services. Many libraries have digital catalogs where you can borrow Kenmore Washer Use Care Guide eBooks for free, including popular titles.

Online Retailers: Websites like Amazon, Google Books, or Apple Books often sell eBooks. Sometimes, authors or publishers offer promotions or free periods for certain books.

Authors

Website Occasionally, authors provide excerpts or short stories for free on their websites. While this might not be the Kenmore Washer Use Care Guide full book, it can give you a taste of the authors writing style. Subscription Services Platforms like Kindle Unlimited or Scribd offer subscription-based access to a wide range of Kenmore Washer Use Care Guide eBooks, including some popular titles.

FAQs About Kenmore Washer Use Care Guide Books

How do I know which eBook platform is the best for me? Finding the best eBook platform depends on your reading preferences and device compatibility. Research different platforms, read user reviews, and explore their features before making a choice. Are free eBooks of good quality? Yes, many reputable platforms offer high-quality free eBooks, including classics and public domain works. However, make sure to verify the source to ensure the eBook credibility. Can I read eBooks without an eReader? Absolutely! Most eBook platforms offer webbased readers or mobile apps that allow you to read eBooks on your computer, tablet, or smartphone. How do I avoid digital eye strain while reading eBooks? To prevent digital eye strain, take regular breaks, adjust the font size and background color, and ensure proper lighting while reading eBooks. What the advantage of interactive eBooks? Interactive eBooks incorporate multimedia elements, quizzes, and activities, enhancing the reader engagement and providing a more immersive learning experience. Kenmore Washer Use Care Guide is one of the best book in our library for free trial. We provide copy of Kenmore Washer Use Care Guide in digital format, so the resources that you find are reliable. There are also many Ebooks of related with Kenmore Washer Use Care Guide. Where to download Kenmore Washer Use Care Guide online for free? Are you looking for Kenmore Washer Use Care Guide PDF? This is definitely going to save you time and cash in something you should think about. If you trying to find then search around for online. Without a doubt there are numerous these available and many of them have the freedom. However without doubt you receive whatever you purchase. An alternate way to get ideas is always to check another Kenmore Washer Use Care Guide. This method for see exactly what may be included and adopt these ideas to your book. This site will almost certainly help you save time and effort, money and stress. If you are looking for free books then you really should consider finding to assist you try this. Several of Kenmore Washer Use Care Guide are for sale to free while some are payable. If you arent sure if the books you would like to download works with for usage along with your computer, it is possible to download free trials. The free guides make it easy for someone to free access online library for download books to your device. You can get free download on free trial for lots of books categories. Our library is the biggest of these that have literally hundreds of thousands of different products categories represented. You will also see that there are specific sites catered to different product types or categories, brands or niches related with Kenmore Washer Use Care Guide. So depending on what exactly

you are searching, you will be able to choose e books to suit your own need. Need to access completely for Campbell Biology Seventh Edition book? Access Ebook without any digging. And by having access to our ebook online or by storing it on your computer, you have convenient answers with Kenmore Washer Use Care Guide To get started finding Kenmore Washer Use Care Guide, you are right to find our website which has a comprehensive collection of books online. Our library is the biggest of these that have literally hundreds of thousands of different products represented. You will also see that there are specific sites catered to different categories or niches related with Kenmore Washer Use Care Guide So depending on what exactly you are searching, you will be able to choose ebook to suit your own need. Thank you for reading Kenmore Washer Use Care Guide. Maybe you have knowledge that, people have search numerous times for their favorite readings like this Kenmore Washer Use Care Guide, but end up in harmful downloads. Rather than reading a good book with a cup of coffee in the afternoon, instead they juggled with some harmful bugs inside their laptop. Kenmore Washer Use Care Guide is available in our book collection an online access to it is set as public so you can download it instantly. Our digital library spans in multiple locations, allowing you to get the most less latency time to download any of our books like this one. Merely said, Kenmore Washer Use Care Guide is universally compatible with any devices to read.

Find Kenmore Washer Use Care Guide :

[humanism in the english novel](#)

[human papillomaviruses clinical and scientific advances](#)

hundreds and hundreds

[hungarian folk songs and folk instruments](#)

human oncology pathology and clinical characteristics volume 3

[human factors. man machine and new technology. international trends in manufacturing technology](#)

humor on the way to heaven

human dignity and reproductive technology

~~humble table wise fare gifts for life roots of the dharma paperback by...~~

human life cycle human life cycle cl

[human resource development quarterly number 1 spring 1999](#)

human competence and busineb development vol xiv emerging patterns in european companies

[human resource management with infotrac](#)

[humpty dumpty and other favorites meet mother goose puffy](#)

~~humor and psyche psychoanalytic perspectives~~

Kenmore Washer Use Care Guide :

Prayers of the Cosmos - Abwoon Prayers of the Cosmos - Abwoon Prayers of the Cosmos: Meditations... by Neil Douglas-Klotz Prayers of the Cosmos is a spiritual revelation—and in the words of Science of Mind, “When you read this book, you will have no further doubt that God loves you ... Neil Douglas-Klotz - Prayers of the Cosmos This is an essential addition to any spiritual seeker from any tradition. The author provides sublime context for applying the most important words of Jesus ... Prayers of the Cosmos Reinterpreting the Lord's Prayer and the Beatitudes from the vantage of Middle Eastern mysticism, Douglas-Klotz offers a radical new translation of the ... Book Review - Prayers of the Cosmos by Neal Douglas-Klotz Oct 20, 2020 — It's an illuminating interpretation of how we are to understand our place in the cosmos and aligns with my direct experience and studies of yoga ... Prayers of the Cosmos: Meditations on the Aramaic Words ... Let me clearly see thy body, the cosmos and greet it with compassion and inclusion. Let me see all hungry bodies and feed them. Let me be free from fear of ... Prayers of the Cosmos: Reflections on the Original ... Neil Douglas-Klotz offers a radical new translation of the words of Jesus Christ with Prayers of the Cosmos. Reinterpreting the Lord's. Prayers of the Cosmos: Meditations on the Aramaic Words ... Mar 24, 2020 — Neil Douglas-Klotz offers a radical new translation of the words of Jesus Christ with Prayers of the Cosmos. Reinterpreting the Lord's ... Prayers of the Cosmos: Meditations on the Aramaic Words ... Neil Douglas-Klotz offers a radical new translation of the words of Jesus Christ with Prayers of the Cosmos. Reinterpreting the Lord's Prayer and the ... Prayers of the Cosmos Musical Settings for Chanting and Body Prayer: The Prayer of Jesus in Matt. 6:9-13 and Luke 11:2-4. Neil Douglas-Klotz - Topic. Concise Introduction to EU Private International Law: Fourth ... Concise Introduction to EU Private International Law: Fourth ... Concise Introduction to EU Private International Law It provides legal practitioners with an overview of this highly complex field of law and can serve as an introductory textbook in elective undergraduate courses ... Concise Introduction to EU Private International Law This book is an introduction to the rules of private international law belonging to the legal system of the European Union - more specifically to its core, ... Concise Introduction to EU Private International Law This book is an introduction to the rules of private international law belonging to the legal system of the European Union - more specifically to its core, ... Concise Introduction to EU Private International Law Concise Introduction to EU Private International Law : Third Edition (Paperback). By Michael Bogdan. \$67.85. Description; About the Author; Details; Reviews ... Concise Introduction to EU Private International Law This concise book is mainly intended to be used as an introduction to the rules of private international law belonging to the legal system of the European ... Concise introduction to EU private international law - Catalog This concise book is mainly intended to be used as an introduction to the rules of private international law belonging to the legal system of the European Union ... Concise introduction to EU private international law The third edition of this concise book is mainly intended to be used as an introduction to the rules of

private international law belonging to the legal ... Concise Introduction to EU Private International Law Michael Bogdan, Concise Introduction to EU Private International Law (Europa. Law Publishing, Groningen, 2006) ISBN 978-90-76871-70-7, 220 + x pages. Michael ... Concise Introduction to EU Private International Law ... It provides legal practitioners with an overview of this highly complex field of law and can serve as an introductory textbook in elective undergraduate courses ... How to Learn Philology GUA G E—8. T H E. I N D O - E U R O P E A N on MET ER- LA N G U A G E,. A N D rrs D E S O B N D A N T S. —WHA T. A N AL s. mE N UN 'r (on rp. How to Become a Philologist: The Complete Guide Oct 7, 2022 — Philology is the study of languages, an especially important sector of the science and research industries. Philologists draw upon vast and ... The Philologist's Guide To Learning New Languages The Philologist's Guide To Learning New Languages · Understanding the obstacles · Conquering the obstacles · Create a plan that you can actually ... Starting with Philology tips? : r/classics I would recommend starting by really learning Greek and Latin, by whatever text book you have found works for you. I'm tandem, read on ancient ... Linguistics: How to self-study linguistics? Mar 23, 2016 — The best way is to read a book about linguistics, preferably an introduction that does not assume prior knowledge of the subject. George Yule's The Study of ... How to Learn Philology How to Learn Philology · A Simple and Introductory Book for Teachers and Learners · by Eustace Hamilton Miles. Buy PDF \$9.50. Studying Linguistics Students of linguistics often begin with a basic understanding of each level of language, then specialize in one or more levels or in a practical application of ... How to Learn Philology: A Simple and Introductory Book for ... How to Learn Philology: A Simple and Introductory Book for Teachers and Learners (Classic Reprint) [Miles, Eustace Hamilton] on Amazon.com. How to Learn Philology - Eustace Miles How to Learn Philology: A Simple and Introductory Book for Teachers and Learners. Front Cover. Eustace Miles. London, 1899 - Linguistics - 291 pages ... Interested in self-studying linguistics. Where do I start? Start with "The Language Instinct" by Steven Pinker. It's a good introduction, and a good read. My intro to linguistics class assigned this book ...