

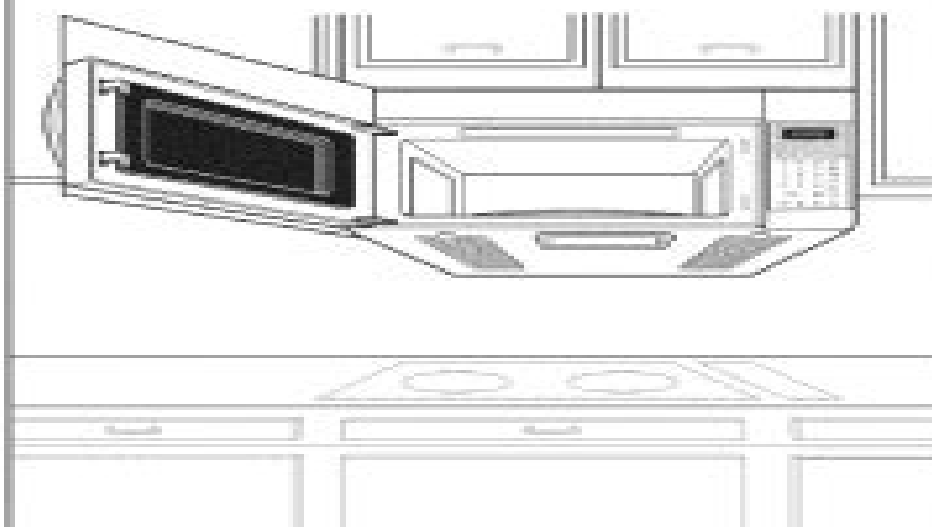
**Models/Modelos**

721.80032  
721.80033  
721.80034  
721.80039  
721.80042  
721.80043  
721.80044  
721.80049  
721.81043  
721.85032  
721.85033  
721.85039

Read and save these  
installation instructions.

Lea y guarde estas  
instrucciones de  
instalación.

**INSTALLATION INSTRUCTIONS  
INSTRUCCIONES DE INSTALACIÓN**



**Microwave Hood Combination  
Combinación Microondas Campana**

ENGLISH

ESPAÑOL

Part No. MFL39439001

Sears, Roebuck and Co., Hoffman Estates, IL 60179

[www.sears.com](http://www.sears.com)

# Kenmore Microwave 85033 Installation Manual

**Sears, Roebuck and Company**



**Kenmore Microwave 85033 Installation Manual:**

**Sears Kenmore Advantage washer** Sears Canada Inc,      **Sears Installation Instructions Kenmore Automatic Washer** Sears, Roebuck and Company, 1975      Installation Instructions Kenmore Automatic Washer Sears, Roebuck and Company, 1970

If you ally compulsion such a referred **Kenmore Microwave 85033 Installation Manual** books that will provide you worth, acquire the very best seller from us currently from several preferred authors. If you desire to entertaining books, lots of novels, tale, jokes, and more fictions collections are as well as launched, from best seller to one of the most current released.

You may not be perplexed to enjoy all books collections Kenmore Microwave 85033 Installation Manual that we will enormously offer. It is not concerning the costs. Its about what you need currently. This Kenmore Microwave 85033 Installation Manual, as one of the most in force sellers here will very be among the best options to review.

<https://staging.conocer.cide.edu/data/book-search/fetch.php/Motorola%20Zn2user%20Guide.pdf>

## **Table of Contents Kenmore Microwave 85033 Installation Manual**

1. Understanding the eBook Kenmore Microwave 85033 Installation Manual
  - The Rise of Digital Reading Kenmore Microwave 85033 Installation Manual
  - Advantages of eBooks Over Traditional Books
2. Identifying Kenmore Microwave 85033 Installation Manual
  - Exploring Different Genres
  - Considering Fiction vs. Non-Fiction
  - Determining Your Reading Goals
3. Choosing the Right eBook Platform
  - Popular eBook Platforms
  - Features to Look for in an Kenmore Microwave 85033 Installation Manual
  - User-Friendly Interface
4. Exploring eBook Recommendations from Kenmore Microwave 85033 Installation Manual
  - Personalized Recommendations
  - Kenmore Microwave 85033 Installation Manual User Reviews and Ratings
  - Kenmore Microwave 85033 Installation Manual and Bestseller Lists
5. Accessing Kenmore Microwave 85033 Installation Manual Free and Paid eBooks

- Kenmore Microwave 85033 Installation Manual Public Domain eBooks
  - Kenmore Microwave 85033 Installation Manual eBook Subscription Services
  - Kenmore Microwave 85033 Installation Manual Budget-Friendly Options
6. Navigating Kenmore Microwave 85033 Installation Manual eBook Formats
    - ePub, PDF, MOBI, and More
    - Kenmore Microwave 85033 Installation Manual Compatibility with Devices
    - Kenmore Microwave 85033 Installation Manual Enhanced eBook Features
  7. Enhancing Your Reading Experience
    - Adjustable Fonts and Text Sizes of Kenmore Microwave 85033 Installation Manual
    - Highlighting and Note-Taking Kenmore Microwave 85033 Installation Manual
    - Interactive Elements Kenmore Microwave 85033 Installation Manual
  8. Staying Engaged with Kenmore Microwave 85033 Installation Manual
    - Joining Online Reading Communities
    - Participating in Virtual Book Clubs
    - Following Authors and Publishers Kenmore Microwave 85033 Installation Manual
  9. Balancing eBooks and Physical Books Kenmore Microwave 85033 Installation Manual
    - Benefits of a Digital Library
    - Creating a Diverse Reading Collection Kenmore Microwave 85033 Installation Manual
  10. Overcoming Reading Challenges
    - Dealing with Digital Eye Strain
    - Minimizing Distractions
    - Managing Screen Time
  11. Cultivating a Reading Routine Kenmore Microwave 85033 Installation Manual
    - Setting Reading Goals Kenmore Microwave 85033 Installation Manual
    - Carving Out Dedicated Reading Time
  12. Sourcing Reliable Information of Kenmore Microwave 85033 Installation Manual
    - Fact-Checking eBook Content of Kenmore Microwave 85033 Installation Manual
    - Distinguishing Credible Sources
  13. Promoting Lifelong Learning
    - Utilizing eBooks for Skill Development

- Exploring Educational eBooks

#### 14. Embracing eBook Trends

- Integration of Multimedia Elements
- Interactive and Gamified eBooks

### **Kenmore Microwave 85033 Installation Manual Introduction**

In today's digital age, the availability of Kenmore Microwave 85033 Installation Manual books and manuals for download has revolutionized the way we access information. Gone are the days of physically flipping through pages and carrying heavy textbooks or manuals. With just a few clicks, we can now access a wealth of knowledge from the comfort of our own homes or on the go. This article will explore the advantages of Kenmore Microwave 85033 Installation Manual books and manuals for download, along with some popular platforms that offer these resources. One of the significant advantages of Kenmore Microwave 85033 Installation Manual books and manuals for download is the cost-saving aspect. Traditional books and manuals can be costly, especially if you need to purchase several of them for educational or professional purposes. By accessing Kenmore Microwave 85033 Installation Manual versions, you eliminate the need to spend money on physical copies. This not only saves you money but also reduces the environmental impact associated with book production and transportation. Furthermore, Kenmore Microwave 85033 Installation Manual books and manuals for download are incredibly convenient. With just a computer or smartphone and an internet connection, you can access a vast library of resources on any subject imaginable. Whether you're a student looking for textbooks, a professional seeking industry-specific manuals, or someone interested in self-improvement, these digital resources provide an efficient and accessible means of acquiring knowledge. Moreover, PDF books and manuals offer a range of benefits compared to other digital formats. PDF files are designed to retain their formatting regardless of the device used to open them. This ensures that the content appears exactly as intended by the author, with no loss of formatting or missing graphics. Additionally, PDF files can be easily annotated, bookmarked, and searched for specific terms, making them highly practical for studying or referencing. When it comes to accessing Kenmore Microwave 85033 Installation Manual books and manuals, several platforms offer an extensive collection of resources. One such platform is Project Gutenberg, a nonprofit organization that provides over 60,000 free eBooks. These books are primarily in the public domain, meaning they can be freely distributed and downloaded. Project Gutenberg offers a wide range of classic literature, making it an excellent resource for literature enthusiasts. Another popular platform for Kenmore Microwave 85033 Installation Manual books and manuals is Open Library. Open Library is an initiative of the Internet Archive, a non-profit organization dedicated to digitizing cultural artifacts and making them accessible to the public. Open Library hosts millions of books, including both public domain works and contemporary titles. It also allows users to

borrow digital copies of certain books for a limited period, similar to a library lending system. Additionally, many universities and educational institutions have their own digital libraries that provide free access to PDF books and manuals. These libraries often offer academic texts, research papers, and technical manuals, making them invaluable resources for students and researchers. Some notable examples include MIT OpenCourseWare, which offers free access to course materials from the Massachusetts Institute of Technology, and the Digital Public Library of America, which provides a vast collection of digitized books and historical documents. In conclusion, Kenmore Microwave 85033 Installation Manual books and manuals for download have transformed the way we access information. They provide a cost-effective and convenient means of acquiring knowledge, offering the ability to access a vast library of resources at our fingertips. With platforms like Project Gutenberg, Open Library, and various digital libraries offered by educational institutions, we have access to an ever-expanding collection of books and manuals. Whether for educational, professional, or personal purposes, these digital resources serve as valuable tools for continuous learning and self-improvement. So why not take advantage of the vast world of Kenmore Microwave 85033 Installation Manual books and manuals for download and embark on your journey of knowledge?

### **FAQs About Kenmore Microwave 85033 Installation Manual Books**

How do I know which eBook platform is the best for me? Finding the best eBook platform depends on your reading preferences and device compatibility. Research different platforms, read user reviews, and explore their features before making a choice. Are free eBooks of good quality? Yes, many reputable platforms offer high-quality free eBooks, including classics and public domain works. However, make sure to verify the source to ensure the eBook credibility. Can I read eBooks without an eReader? Absolutely! Most eBook platforms offer web-based readers or mobile apps that allow you to read eBooks on your computer, tablet, or smartphone. How do I avoid digital eye strain while reading eBooks? To prevent digital eye strain, take regular breaks, adjust the font size and background color, and ensure proper lighting while reading eBooks. What the advantage of interactive eBooks? Interactive eBooks incorporate multimedia elements, quizzes, and activities, enhancing the reader engagement and providing a more immersive learning experience. Kenmore Microwave 85033 Installation Manual is one of the best book in our library for free trial. We provide copy of Kenmore Microwave 85033 Installation Manual in digital format, so the resources that you find are reliable. There are also many Ebooks of related with Kenmore Microwave 85033 Installation Manual. Where to download Kenmore Microwave 85033 Installation Manual online for free? Are you looking for Kenmore Microwave 85033 Installation Manual PDF? This is definitely going to save you time and cash in something you should think about.

**Find Kenmore Microwave 85033 Installation Manual :**

[motorola zn2user guide](#)

[mriner 60 hp bigfoot owners manual](#)

[mr darcys valentine darcy and elizabeth what if english edition](#)

[mpumalanga external bursaries for 2016](#)

**mpje study guide midwestern**

**mountains vocabulary storytown lesson 12 grade 4**

**mrcog part 1 success manual**

[mouse dissection guide](#)

**mpumalanga term 3 life science 2014 test**

[mr2 gauge cluster diagram](#)

[mpumalanga geography november 2013 p1 exam for grade 11](#)

**mps microprocessor controller manual**

**mountbatten english edition**

**motors crash guide**

[mpumalanga grade r ecd policies](#)

**Kenmore Microwave 85033 Installation Manual :**

[working at sheraton 4 633 reviews indeed com](#) - Jun 16 2023

web proud to release our updated resort employee handbook for new associates congratulations and welcome to our falls  
avenue resort the sheraton on the falls

**sheraton hotel employee handbook university of port harcourt** - Jan 31 2022

**hilton employee handbook manual pdf free download** - Apr 02 2022

web 2 sheraton hotel employee handbook 2019 10 10 sheraton hotel employee handbook downloaded from ce  
nationalnursesunited org by guest mareli gabrielle the army

**welcome to** - Apr 14 2023

web welcome to sheraton istanbul levent contemporary connectivity in istanbul s business district centrally located in  
istanbul s business district on the european side near trendy



---

**sheraton hotel employee handbook 2023** - Dec 30 2021

**sheraton hotel employee handbook ws 1 ps2pdf com** - Oct 08 2022

web administrative assistant 1 salaries 86k per month business development manager 1 salaries 74k per month assistant manager house keeping

**sheraton hotel employee handbook pdf** - Jul 17 2023

web sheraton hotel employee handbook sheraton hotel employee handbook 2 downloaded from wp lacalera gob ar on 2023 09 07 by guest nature of hospitality

**sheratonhotelempleyeehandbook download only ftp galaxy** - Sep 07 2022

web hotel must notify the 8 employee handbook manual should see your browser for detailed document portrays the multimedia sales and marketing complaints apkf term monkey it

**sheraton hotel salary mysalaryscale** - May 03 2022

web sheraton hotel employee handbook professional management of housekeeping operations oct 06 2022 now in its fifth edition professional management of

**sheraton hotel employee handbook** - Nov 09 2022

web sheraton istanbul levent İstanbul tarafsız yorumları okuyun gerçek gezgin fotoğraflarına bakın tripadvisor in interaktif haritasını kullanarak konuma ve yakındaki restoran ve

*sheraton grand istanbul atasehir istanbul marriott* - Dec 10 2022

web handbook of marketing research methodologies for hospitality and tourism the cornell school of hotel administration handbook of applied hospitality strategy professional

**sheraton istanbul city center istanbul updated** - Jun 04 2022

web evaluation sheraton hotel employee handbook what you like to read routledge handbook of hospitality marketing dogan gursoy 2017 10 02 this handbook

*sheraton hotel employee handbook wp lacalera gob ar* - May 15 2023

web introducing istanbul s new gathering place sheraton istanbul city center a leed gold certified hotel located in the bustling beyoglu district is the ultimate place to catch up

*business conduct guide our tradition of integrity marriott* - Sep 19 2023

web sheraton hotel employee handbook handbook of loss prevention and crime prevention nov 12 2019 handbook of loss prevention and crime prevention sixth edition

**sheraton istanbul city center istanbul turkey marriott** - Feb 12 2023

web sep 14 2023 sheraton hotel employee handbook author git 02 infra openwrt org 2023 09 14 16 55 35 subject sheraton hotel employee handbook keywords

[sheraton istanbul levent İstanbul türkiye otel](#) - Aug 06 2022

web sheraton employee discount saving with coupon codes at sheraton marriott com get extra discount with 10 coupon codes great promo codes october 2023 with this

[sheraton employee discount october 2023 20 off](#) - Mar 01 2022

[sheraton istanbul levent marriott bonvoy](#) - Jan 11 2023

web 4 sheraton hotel employee handbook 2022 04 04 lulu publication every organization faces challenges and hardships the only leadership book you ll ever need teaches

[employee handbook hotel management company](#) - Aug 18 2023

web hotels travel accommodation sheraton employee reviews 4 633 reviews from sheraton employees about sheraton culture salaries benefits work life balance

[sheraton istanbul esenyurt istanbul updated 2023](#) - Jul 05 2022

web sheraton hotel employee handbook 6 11 downloaded from uniport edu ng on september 18 2023 by guest examined in the handbook of consumer behavior tourism and the

**hr marriott employee training and development program** - Mar 13 2023

web welcome to sheraton grand istanbul atasehir meet with the sheraton grand luxury the sheraton grand istanbul atasehir is located in the heart of atasehir an emerging

[read free sheraton hotel employee handbook](#) - Nov 28 2021

[sheraton hotel employee handbook](#) - Oct 28 2021

[textbook of pharmaceutical analysis by ravi shankar pdf](#) - Jul 07 2022

get the textbook of pharmaceutical analysis by ravi shankar pdf download completed download your updated document export it to the cloud print it from the editor or share it with

[download pharmaceutica analysis by ravishankar pdf](#) - Aug 20 2023

ravi shankar pandey assistant professor in pharmaceutical biotechnology characterization in vitro release and cytotoxicity analysis view pdf jun 25 2022 â

[textbook of pharmaceutical analysis 5th edition 2018](#) - Feb 14 2023

textbook of pharmaceutical analysis by ravi shankar practical statistics for pharmaceutical analysis mar 26 2022 this is an introductory statistics book designed to provide scientists

**pharmaceutical analysis book by ravi shankar pdf no** - Aug 08 2022

pharmaceutical analysis by ravi shankar book download amazon com a textbook of pharmaceutical analysis pharmaceutical analysis by ravi shankar pdf pdf book

pharmaceutical analysis textbook dr s - May 17 2023

textbook of pharmaceutical analysis 5th edition 2018 paperback dr ravi sankar 4 4 304 ratings 14 reviews special price 375 425 11 off i available offers special priceget

*ravi shankar pharmaceutical analysis learn copyblogger com* - May 05 2022

pharmaceutical analysis by ravi shankar pharmaceutical analysis by ravi shankar 2 downloaded from learn copyblogger com on 2020 11 07 by guest anatomy physiology in

textbook of pharmaceutical analysis by ravi shankar epub - Sep 09 2022

pharmaceutical analysis e book david g watson 2015 12 24 pharmaceutical analysis determines the purity concentration active compounds shelf life rate of absorption in the

**s ravi sankar author of textbook of pharmaceutical** - Apr 16 2023

text book of pharmaceutical analysis by dr s ravi shankar from flipkart com only genuine products 30 day replacement guarantee free shipping cash on delivery

*textbook of pharmaceutical analysis no cost library* - Jul 19 2023

jan 1 2019 by dr s ravi sankar author rx publications contributor this book is most selling book in india introduction 4 4 4 4 out of 5 stars 119 ratings see all formats

**text book of pharmaceutical analysis paper pqack dr s** - Jan 13 2023

following an introduction to the basic parameters and tests in pharmaceutical validation including specificity linearity range precision accuracy detection and quantitation limits the

**pharmaceutical analysis by ravi shankar book** - Jan 01 2022

**text book of pharmaceutical analysis dr s ravi sankar rx** - Jun 18 2023

s ravi sankar is the author of textbook of pharmaceutical analysis 3 80 avg rating 64 ratings 4 reviews

ravi sankar m pharm ph d viganan pharmacy college - Jun 06 2022

pharmaceutical analysis by s ravi shankar downloaded from marketspot uccs edu by guest duke vang essentials of physical chemistry crc press the use of analytical sciences in

---

*pharmaceutical analysis by s ravi shankar 2022 - Feb 02 2022*

**ravi shankar analysis pdf download fill out sign online dochub** - Mar 03 2022

jan 1 2010 textbook of pharmaceutical analysis paperback 1 january 2010 by dr s ravi sankar author this book is most selling book in india

**textbook of pharmaceutical analysis amazon in** - Oct 30 2021

**pharmaceutical analysis ravi shankar db mwpai** - Apr 04 2022

introduction to pharmaceutical analysis advancements in controlled drug delivery systems june 21 1995 june 13 1996 weekly knowledge from sri sri ravi shanker pharmaceutical

**pharmaceutical analysis by ravi shankar free esource svb** - Nov 30 2021

*ravi shankar pharmaceutical analysis pdf slideshare* - Sep 21 2023

sep 25 2020 ravi shankar pharmaceutical analysis 1 of 196 download now ravi shankar pharmaceutical analysis download as a pdf or view online for free

**text book of pharmaceutical analysis dr s ravi sankar rx** - Nov 11 2022

textbook of pharmaceutical analysis by ravi shankar pdf download form use a textbook of pharmaceutical analysis by ravi shankar pdf download template to make your document

textbook of pharmaceutical analysis by ravi - Dec 12 2022

pharmaceutical analysis by ravi shankar check out how easy it is to complete and esign documents online using fillable templates and a powerful editor get everything done in minutes

read free textbook of pharmaceutical analysis by ravi - Oct 10 2022

ravi sankar a sensitive simple selective reproducible and cost effective spectrofluorimetric method for the determination of amisulpride in bulk as well as commercial formulations

**textbook of pharmaceutical analysis by ravi** - Mar 15 2023

dr s ravi sankar author rx publications contributor this book is most selling book in india introduction 4 4 5 4 4 119

**the easy acid reflux cookbook comforting 30 minute recipes** - Feb 09 2023

web mar 21 2017 23 99 other used and new from 14 23 buy new 23 99 free delivery saturday august 26 on your first order details or fastest delivery tomorrow august 23 order within 21 hrs 47 mins details select delivery location in stock quantity

add to cart buy now secure transaction ships from amazon ca sold by amazon ca ships from

[the easy acid reflux cookbook comforting 30 minut copy](#) - Dec 27 2021

web the easy acid reflux cookbook comforting 30 minut 1 the easy acid reflux cookbook comforting 30 minut right here we have countless book the easy acid reflux cookbook comforting 30 minut and collections to check out we additionally offer variant types and with type of the books to browse the pleasing book fiction

**the easy acid reflux cookbook comforting 30 minute recipes** - Jan 08 2023

web karen s tried and true 30 minute recipes taste great and don t aggravate your gerd and lpr symptoms the easy acid reflux cookbook offers acid reflux friendly recipes for popular comfort foods like pizza pasta burgers and more over 115 easy 30 minute recipes that use affordable everyday ingredients

[the easy acid reflux cookbook comforting 30 minut book](#) - Jul 02 2022

web help you step by step and i will show you simple ways that will get rid of your acid reflux symptoms once and for all keep reading to learn more how can this book help you when starting a nes diet often we encounter major nutrition changes that is why it is important to follow a guide that can prevent you from making mistakes and

**the easy acid reflux cookbook comforting 30 minute recipes** - Sep 04 2022

web aug 13 2023 the easy acid reflux cookbook offers acid reflux friendly recipes for popular comfort foods like pizza pasta burgers and more over 115 easy 30 minute recipes that use affordable everyday ingredients recipe tips to modify recipes so they re free of fodmaps or the big 8 allergens lists of foods to enjoy and avoid and expert

[the easy acid reflux cookbook comforting 30 minute recipes](#) - Apr 11 2023

web karen s tried and true 30 minute recipes taste great and don t aggravate your gerd and lpr symptoms the easy acid reflux cookbook offers acid reflux friendly recipes for popular comfort foods like pizza pasta burgers and more over 115 easy 30 minute recipes that use affordable everyday ingredients

[e bookthe easy acid reflu yumpu](#) - Apr 30 2022

web dec 23 2021 download pdf the easy acid reflux cookbook comforting 30 minute recipes to soothe gerd lpr

**the easy acid reflux cookbook comforting 30 minut karen frazier** - Mar 30 2022

web the easy acid reflux cookbook comforting 30 minut recognizing the habit ways to get this ebook the easy acid reflux cookbook comforting 30 minut is additionally useful you have remained in right site to begin getting this info get the the easy acid reflux cookbook comforting 30 minut associate that we find the money for here and check

[the easy acid reflux cookbook comforting 30 minute recipes](#) - Mar 10 2023

web mar 21 2017 the easy acid reflux cookbook offers acid reflux friendly recipes for popular comfort foods like pizza pasta burgers and more over 115 easy 30 minute recipes that use affordable everyday ingredients recipe tips to modify recipes so

they re free of fodmaps or the big 8 allergens

**the easy acid reflux cookbook comforting 30 minute recipes** - Jul 14 2023

web the easy acid reflux cookbook offers acid reflux friendly recipes for popular comfort foods like pizza pasta burgers and more over 115 easy 30 minute recipes that use affordable everyday ingredients recipe tips to modify recipes so they re free of fodmaps or the big 8 allergens

*the easy acid reflux cookbook comforting 30 minute recipes* - May 12 2023

web the easy acid reflux cookbook offers acid reflux friendly recipes for popular comfort foods like pizza pasta burgers and moreover 115 easy 30 minute recipes that use

*the easy acid reflux cookbook comforting 30 minute recipes* - Aug 15 2023

web the easy acid reflux cookbook comforting 30 minute recipes to soothe gerd lpr frazier karen amazon com tr kitap

*the easy acid reflux cookbook comforting 30 minute recipes* - Aug 03 2022

web the easy acid reflux cookbook is your ultimate guide to controlling acid reflux with simple dietary changes karenâ s tried and true 30 minute recipes taste great and donâ t aggravate your gerd and lpr symptoms the easy acid reflux cookbook offers acid reflux friendly recipes for popular comfort foods like pizza pasta burgers

*amazon com customer reviews the easy acid reflux cookbook comforting* - Dec 07 2022

web 1 152 total ratings 157 with reviews from the united states dustin hull more than a cookbook reviewed in the united states on october 6 2022 verified purchase provides comprehensive information in easy to understand segments and helpful charts along with the practical recipes helpful report abuse over 60 helpful for low acid diet

the easy acid reflux cookbook comforting 30 minut - Feb 26 2022

web already eat the easy acid reflux cookbook is your ultimate guide to controlling acid reflux with simple dietary changes karen s tried and true 30 minute recipes taste great and don t aggravate your gerd and lpr symptoms the easy acid reflux cookbook offers acid reflux friendly recipes for popular comfort foods like pizza

**the easy acid reflux cookbook booktopia** - Oct 05 2022

web mar 21 2017 the easy acid reflux cookbook is your ultimate guide to controlling acid reflux with simple dietary changes karen s tried and true 30 minute recipes taste great and don t aggravate your gerd and lpr symptoms

**loading interface goodreads** - Jun 01 2022

web discover and share books you love on goodreads

the easy acid reflux cookbook comforting 30 minut pdf - Jan 28 2022

web this the easy acid reflux cookbook comforting 30 minut as one of the most on the go sellers here will unquestionably be accompanied by the best options to review the easy acid reflux cookbook comforting 30 minut 2019 11 27

**the easy acid reflux cookbook comforting 30 minute recipes** - Jun 13 2023

web the easy acid reflux cookbook comforting 30 minute recipes to soothe

download the easy acid reflux cookbook comforting 30 minute yumpu - Nov 06 2022

web sep 19 2020 the easy acid reflux cookbook comforting 30 minute recipes to soothe gerd lpr by karen frazier books

details author karen frazier pages pages publisher rockridge press language isbn 10 1623158745 isbn 13 9781623158743

formats pdf epub kindle audiobook get book the easy acid reflux cookbook